

# 8556

120V or 277V

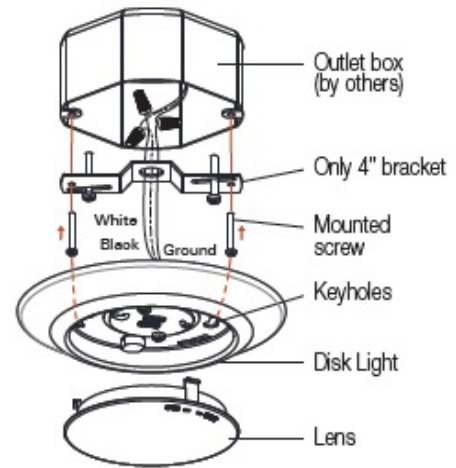
Catalog #:		Type
Project:		Date
Prepared by:		

## 6" LED Disc Light



### Also available:

As a retrofit with torsion springs and an E26 base adapter



6" LED Disc Light

### DESCRIPTION

The 8556 is a 6" LED Disc Light that makes upgrading to an energy efficient LED down light solution easier than ever. Flexible for use in both retrofit and new construction applications, and suitable for use in wet locations, this is a ideal choice for most any residential or light-commercial application.

### DESIGN FEATURES

#### Construction

- Spun aluminum housing provides ample heatsinking
- Frosted polycarbonate lens

#### Electrical

- 120V or 277V
- Triac dimmable down to 10%
- Suitable for use in wet locations
- 50,000 hour projected life
- 8556-90: 90 CRI | 15W | 1000Lm
- 8556-80: 80 CRI | 15W | 850Lm
- Max fixture load is 30 fixtures per 600W dimmer
- Retrofit version includes torsion springs for mounting in most 5/6" housings and an E26 base adapter
- Available in 3000 or 4000K

#### Installation

- Mounting bracket fits most 3/O (3") or 4/O (4") j-box applications
- Dimensions: 7-3/8" Ø x 1-1/4" Height

#### Lens

- Frosted polycarbonate lens protects LEDs and provides a uniform distribution of light

#### Finish

- Available in Black, Brushed Nickel, or White

#### Certifications

- cCSAus
- Energy Star\*
- NEC 410.16(C) Compliant\*
- 5 year limited warranty




# 8556

120V or 277V

## Specification & Ordering

### ORDERING

Example: 8556BN-90-3K-R

Model #	Finish	CRI	CCT	Retrofit
	8556			
	BK BN WH	Black Brushed Nickel White	-80 -90	-3K -4K

\*Only 90CRI versions qualify for Energy Star and NEC Compliance

## Qualified Dimmers

### ORDERING

Lutron® Model Numbers:	Leviton® Model Numbers :
<ul style="list-style-type: none"> <li>• Skylark® SLV Series</li> <li>• Skylark® SCL Series</li> <li>• Skylark® Contour CTCL Series</li> </ul>	<ul style="list-style-type: none"> <li>• SureSlide 6633*</li> </ul>
<ul style="list-style-type: none"> <li>• Diva® DVCL Series</li> <li>• Diva® DVLV Series*</li> <li>• Nova T★® NT Series</li> </ul>	<ul style="list-style-type: none"> <li>• Lutron® Homeworks RPM-4U*</li> <li>• Lutron® Homeworks QS HQRD-6ND Series*</li> <li>• Lutron® Homeworks QS HQRD-10ND Series*</li> <li>• Glyder® GLV Series*</li> <li>• Ariadni® AYCL Series</li> <li>• RadioRA 2® 10ND Series*</li> <li>• Maestro Wireless MRF2-6ND Series*</li> </ul>

# 8556

120V or 277V

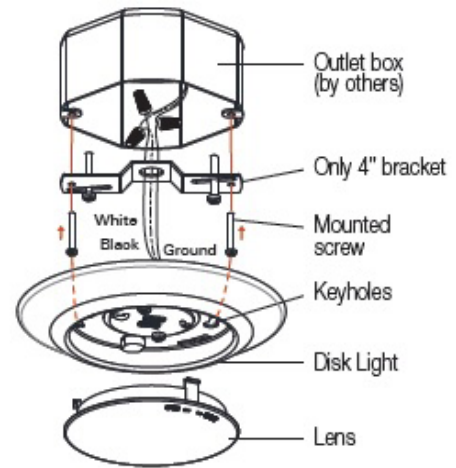
Catalog #:		Type
Project:		Date
Prepared by:		

## 6" LED Disc Light



### Also available:

As a retrofit with torsion springs and an E26 base adapter



## DESCRIPTION

The 8556 is a 6" LED Disc Light that makes upgrading to an energy efficient LED down light solution easier than ever. Flexible for use in both retrofit and new construction applications, and suitable for use in wet locations, this is a ideal choice for most any residential or light-commercial application.

## DESIGN FEATURES

### Construction

- Spun aluminum housing provides ample heatsinking
- Frosted polycarbonate lens

### Electrical

- 120V or 277V
- Triac dimmable down to 10%
- Suitable for use in wet locations
- 50,000 hour projected life
- 8556-90: 90 CRI | 15W | 1000Lm
- 8556-80: 80 CRI | 15W | 850Lm
- Max fixture load is 30 fixtures per 600W dimmer
- Retrofit version includes torsion springs for mounting in most 5/6" housings and an E26 base adapter
- Available in 3000 or 4000K

### Installation

- Mounting bracket fits most 3/O (3") or 4/O (4") j-box applications
- Dimensions: 7-3/8" Ø x 1-1/4" Height

### Lens

- Frosted polycarbonate lens protects LEDs and provides a uniform distribution of light

### Finish

- Available in Black, Brushed Nickel, or White

### Certifications

- cCSAus
- Energy Star\*
- NEC 410.16(C) Compliant\*
- 5 year limited warranty




# 8556

120V or 277V

## Specification & Ordering

### ORDERING

Example: 8556BN-90-3K-R

Model #	Finish	CRI	CCT	Retrofit
	8556			
	BK BN WH	Black Brushed Nickel White	-80 -90	-3K -4K

\*Only 90CRI versions qualify for Energy Star and NEC Compliance

## Qualified Dimmers

### ORDERING

Lutron® Model Numbers:	Leviton® Model Numbers :
<ul style="list-style-type: none"> <li>• Skylark® SLV Series</li> <li>• Skylark® SCL Series</li> <li>• Skylark® Contour CTCL Series</li> </ul>	<ul style="list-style-type: none"> <li>• SureSlide 6633*</li> </ul>
<ul style="list-style-type: none"> <li>• Diva® DVCL Series</li> <li>• Diva® DVLV Series*</li> <li>• Nova T★® NT Series</li> </ul>	<ul style="list-style-type: none"> <li>• Lutron® Homeworks RPM-4U*</li> <li>• Lutron® Homeworks QS HQRD-6ND Series*</li> <li>• Lutron® Homeworks QS HQRD-10ND Series*</li> <li>• Glyder® GLV Series*</li> <li>• Ariadni® AYCL Series</li> <li>• RadioRA 2® 10ND Series*</li> <li>• Maestro Wireless MRF2-6ND Series*</li> </ul>