



Walker® Infloor Systems

Floor Box and® Walkerduct Pro Series System

Polycarbonate Trim Flanges

INSTALLATION INSTRUCTIONS

Walker® electrical systems conform to and should be properly grounded in compliance with requirements of the current National Electrical Code or codes administered by local authorities.

All electrical products may present a possible shock or fire hazard if improperly installed or used. Walker electrical products may bear the mark as UL Listed and/or Classified and should be installed in conformance with current local and/or the National Electrical Code.

Products Covered: Cat. Nos. 817PCC-BLK, 817PCC-BRN, 827PCC-BLK, 827PCC-BRN, 837PCC-BLK and 837PCC-BRN

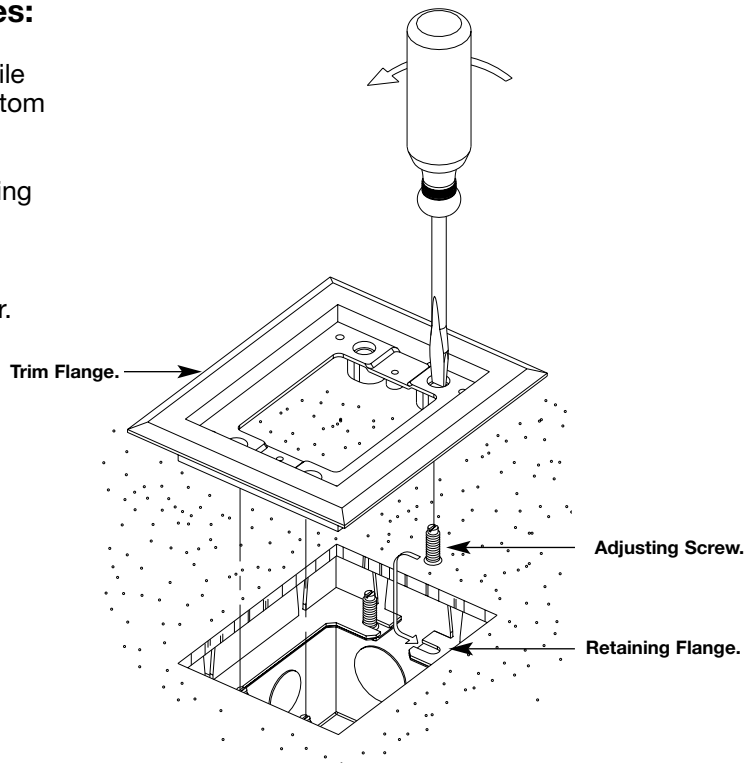
Illustration Shown With 880S1 Omnibox® and 817PCC Trim Flange Utilizing a Carpet Application.

Floor Boxes with Slotted Retaining Flanges:

1. Cut floor covering around floor box opening. For tile floors, apply a bead of silicone caulking along bottom perimeter of trim flange.
2. Slide head of inverted adjusting screw* into retaining flanges for trim attachment (see illustration).
3. Place trim ring over the four adjusting screws and tighten until snug using a narrow blade screwdriver. Tighten individual screws in small increments to prevent binding.

***NOTES:**

1. Some floor coverings such as thick carpet may require the use of the longer adjusting screws.
2. Hardware bag No. 97650A not needed for this installation.



®Walkerduct Pro Series Presets:

1. Use a Walker insert finder (Cat. No. 480) or other electronic locator to find center of preset. Cut and remove carpeting or tile over preset. (Carpet may be saved for later abandoning.) Chip out concrete exposing mudcap.

NOTE: If presets are more than 1/2" [12.1mm] below concrete, use of a hammer drill with 1/2" chisel is recommended. Be careful not to damage preset!

2. Remove Mudcap: (See Figure 1).

- A. Strike blade of screwdriver or 1/4" [6.4mm] cold chisel along side of mudcap as shown. Top edge of mudcap will deflect inward.
- B. Pry out cap with screwdriver by positioning blade between preset wall and deflected edge of mudcap, or, use pliers to grab edge of cap and lift out.

Remove all debris from preset.

- C. Grout around opening if concrete does not break away cleanly.

3. Remove Knockout: (See Figure 2).

- A. Insert screwdriver blade into opening in base of preset. Push screwdriver toward center of preset, breaking tabs. Position screwdriver into opening on other side of knockout and break tabs to release knockout.
 - B. Inserting a wire hook into arched opening at center of preset will prevent knockout from falling into duct.
- Remove all debris from raceway.**

CAUTION: Some sharp edges may occur along knockout tabs. These must be deburred.

4. Important! Tighten bonding screw in base of preset.

- A. Pull wires to preset and leave slack.
- B. Use Cat. No. 427 Fiber Optic Loop Kit if fiber optic cable is being installed.

5. Using hardware bag 97650A secure link straps to posts in preset. Position straps in outer presets for three gang flange. None are used in center preset. Install two flat-head screws in opposite corners to attach flange to link straps. Two lengths of screws are provided to accommodate variations in concrete pour depth (see Figure 3).

6. Make splices in preset and pull wire thru connector to final termination.

- A. Wire UL Listed device or telecommunication devices and attach to trim flange.
- B. Attach cover plates and complete installation as shown.
- C. For tile floors, apply a bead of caulking along bottom perimeter of trim flange.

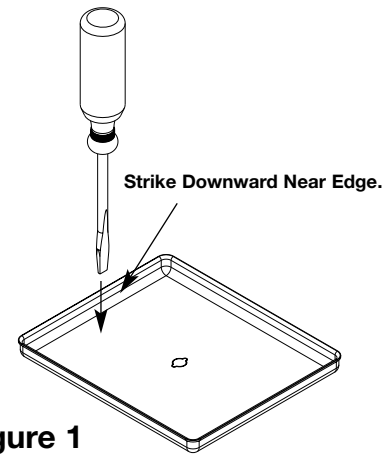


Figure 1

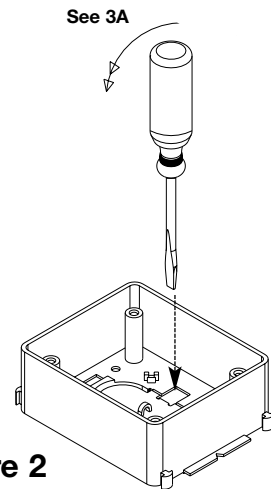


Figure 2

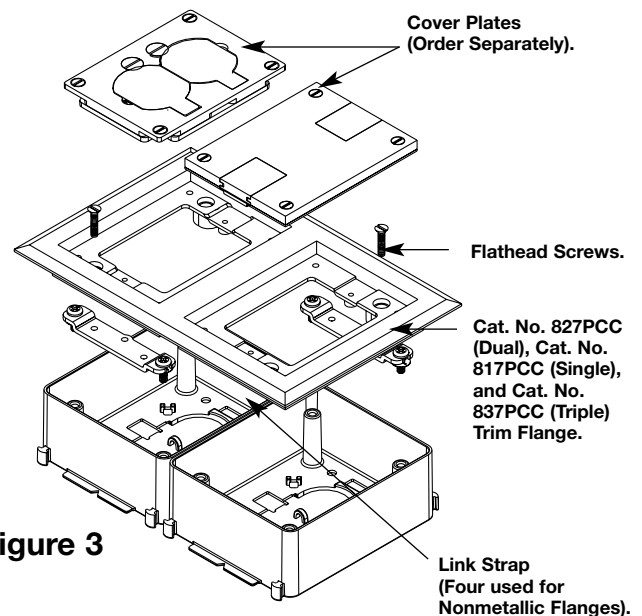


Figure 3

