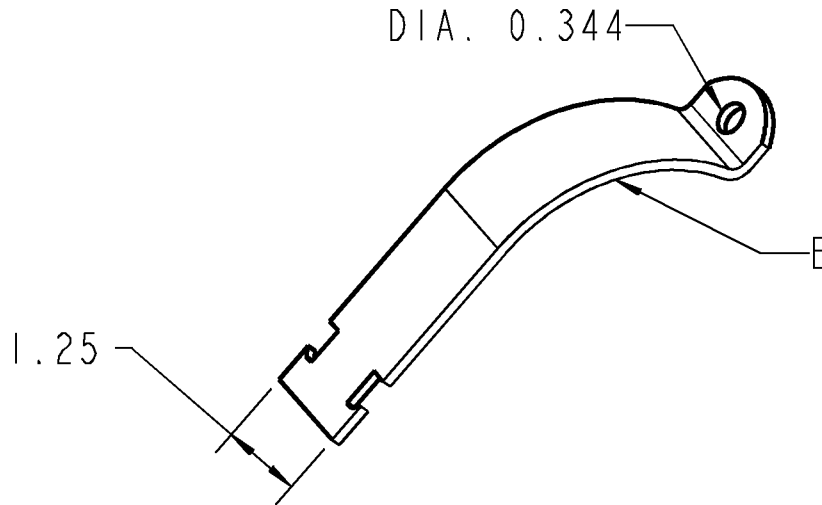



Superstrut



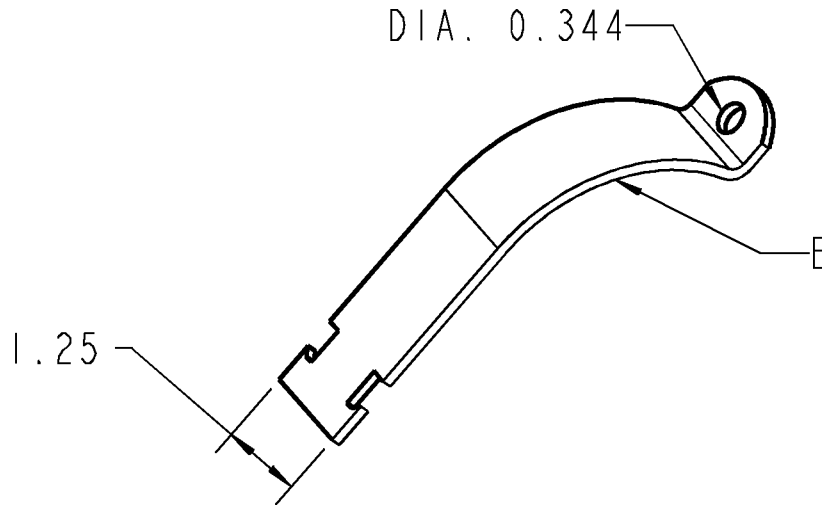
3" RIGID/STD PIPE STRAP	1.750	NOTE 9	-	C105-3SS316	702 3SS316	
3 1/2" RIGID/STD PIPE STRAP	2.000	NOTE 8	-	C 105 3 1/2AL	702 3 1/2AL	
3" RIGID/STD PIPE STRAP	1.750	NOTE 7	-	C 105 3 AL	702 3 AL	
2 1/2" RIGID/STD PIPE STRAP	1.438	NOTE 7	-	C 105 2 1/2AL	702 2-1/2AL	
3 1/2" RIGID/STD PIPE STRAP	2.000	NOTE 6	-	C 105 3 1/2SS	702 3 1/2 SS	
3" RIGID/STD PIPE STRAP	1.750	NOTE 2	-	C 105 3 SS	702 3 SS	
2 1/2" RIGID/STD PIPE STRAP	1.438	NOTE 2	-	C 105 2 1/2SS	702 2 1/2 SS	
3 1/2" RIGID/STD PIPE STRAP	2.000	NOTE 5	NOTE 4	C 105 3 1/2EG	702 3 1/2 EG	
3" RIGID/STD PIPE STRAP	1.750	NOTE 1	NOTE 4	C 105 3EG	702 3 EG	
2 1/2" RIGID/STD PIPE STRAP	1.438	NOTE 1	NOTE 4	C 105 2 1/2EG	702 2 1/2 EG	
3 1/2" RIGID/STD PIPE STRAP	2.000	NOTE 5	NOTE 3	C 105 3 1/2	702 3 1/2	
3" RIGID/STD PIPE STRAP	1.750	NOTE 1	NOTE 3	C 105 3	702 3	
2 1/2" RIGID/STD PIPE STRAP	1.438	NOTE 1	NOTE 3	C 105 2 1/2	702 2 1/2	
A	DESCRIPTION	B RADIUS	D MATERIAL	E FINISH	CAT NO KINDORF	CAT NO SUPERSTRUT

NOTES:

- MATERIAL: 12 GA. (.104) H.R. LOW CARBON STEEL.
- MATERIAL: 12 GA. (.104) TYPE 304 STAINLESS STEEL.
- FINISH: ELECTRO DEPOSITED ZINC BASE WITH YELLOW TRIVALENT CHROMIUM OUTER BARRIER.
- FINISH: ELECTRO DEPOSITED ZINC.
- MATERIAL. (.125) H.R. LOW CARBON STEEL.
- MATERIAL, 11 GA. (.125) TYPE 304 STAINLESS STEEL.
- MATERIAL, 12 GA. (.104) ALUMINUM.
- MATERIAL, 11 GA. (.125) ALUMINUM.
- MATERIAL, 12 GA. (.104) TYPE 316 STAINLESS STEEL.

GENERAL NOTES		 A Member of the ABB Group			
1. ALL DIMENSIONS ARE FOR REFERENCE ONLY. 2. DIMENSIONS IN BRACKETS [] ARE IN METRIC UNITS.					
REVISIONS		DESCRIPTION: KINDORF C105 AND SUPERSTRUT 702 SERIES PIPE STRAPS			
- SEE ERN (****) FOR APPROVAL SIGNATURES & RELEASE DATE. PROJECT NO: ****		ORIGINAL PROJECT NO / (ERN NO) XM400032 / (2015693)	SHEET NO: 1 OF 1	REV. NO: -	DRAWING NO: WSD-001307


Superstrut



3" RIGID/STD PIPE STRAP	1.750	NOTE 9	-	C105-3SS316	702 3SS316	
3 1/2" RIGID/STD PIPE STRAP	2.000	NOTE 8	-	C 105 3 1/2AL	702 3 1/2AL	
3" RIGID/STD PIPE STRAP	1.750	NOTE 7	-	C 105 3 AL	702 3 AL	
2 1/2" RIGID/STD PIPE STRAP	1.438	NOTE 7	-	C 105 2 1/2AL	702 2-1/2AL	
3 1/2" RIGID/STD PIPE STRAP	2.000	NOTE 6	-	C 105 3 1/2SS	702 3 1/2 SS	
3" RIGID/STD PIPE STRAP	1.750	NOTE 2	-	C 105 3 SS	702 3 SS	
2 1/2" RIGID/STD PIPE STRAP	1.438	NOTE 2	-	C 105 2 1/2SS	702 2 1/2 SS	
3 1/2" RIGID/STD PIPE STRAP	2.000	NOTE 5	NOTE 4	C 105 3 1/2EG	702 3 1/2 EG	
3" RIGID/STD PIPE STRAP	1.750	NOTE 1	NOTE 4	C 105 3EG	702 3 EG	
2 1/2" RIGID/STD PIPE STRAP	1.438	NOTE 1	NOTE 4	C 105 2 1/2EG	702 2 1/2 EG	
3 1/2" RIGID/STD PIPE STRAP	2.000	NOTE 5	NOTE 3	C 105 3 1/2	702 3 1/2	
3" RIGID/STD PIPE STRAP	1.750	NOTE 1	NOTE 3	C 105 3	702 3	
2 1/2" RIGID/STD PIPE STRAP	1.438	NOTE 1	NOTE 3	C 105 2 1/2	702 2 1/2	
A	DESCRIPTION	B RADIUS	D MATERIAL	E FINISH	CAT NO KINDORF	CAT NO SUPERSTRUT

NOTES:

- MATERIAL: 12 GA. (.104) H.R. LOW CARBON STEEL.
- MATERIAL: 12 GA. (.104) TYPE 304 STAINLESS STEEL.
- FINISH: ELECTRO DEPOSITED ZINC BASE WITH YELLOW TRIVALENT CHROMIUM OUTER BARRIER.
- FINISH: ELECTRO DEPOSITED ZINC.
- MATERIAL. (.125) H.R. LOW CARBON STEEL.
- MATERIAL, 11 GA. (.125) TYPE 304 STAINLESS STEEL.
- MATERIAL, 12 GA. (.104) ALUMINUM.
- MATERIAL, 11 GA. (.125) ALUMINUM.
- MATERIAL, 12 GA. (.104) TYPE 316 STAINLESS STEEL.

GENERAL NOTES		 A Member of the ABB Group			
1. ALL DIMENSIONS ARE FOR REFERENCE ONLY. 2. DIMENSIONS IN BRACKETS [] ARE IN METRIC UNITS.					
REVISIONS		DESCRIPTION: KINDORF C105 AND SUPERSTRUT 702 SERIES PIPE STRAPS			
- SEE ERN (****) FOR APPROVAL SIGNATURES & RELEASE DATE. PROJECT NO: ****		ORIGINAL PROJECT NO / (ERN NO) XM400032 / (2015693)	SHEET NO: 1 OF 1	REV. NO: -	DRAWING NO: WSD-001307