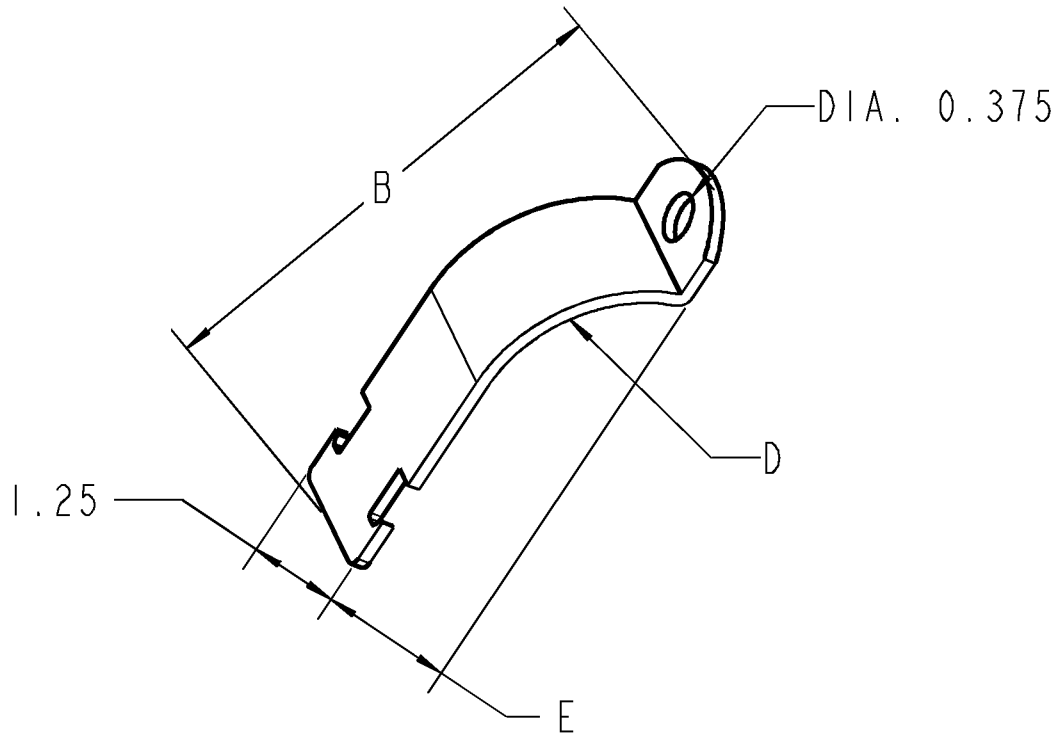



Superstrut



1 1/2" RIGID/STD STRAP	3.258	.950	.929	NOTE 2	-	C-105-2SS	702 2SS
2" RIGID/STD STRAP	3.737	1.188	1.167	NOTE 1	NOTE 5	C-105-2EG	702 2EG
1 1/2" RIGID/STD STRAP	3.258	.950	.929	NOTE 1	NOTE 5	C-105-1 1/2EG	702-1-1/2EG
2" RIGID/STD STRAP	3.737	1.188	1.167	NOTE 1	NOTE 4	C-105-2	702-2
1 1/2" RIGID/STD STRAP	3.258	.950	.929	NOTE 1	NOTE 4	C-105-1 1/2	702-1-1/2
A DESCRIPTION	B	D RADIUS	E	F MATERIAL	G FINISH	CAT NO KINDORF	CAT NO SUPERSTRUT

NOTES:

1. MATERIAL : 12 GA. (.104) H.R. LOW CARBON STEEL.
2. MATERIAL : 12 GA. (.104) TYPE 304 STAINLESS STEEL.
3. MATERIAL : 12 GA. (.104) ALUMINUM.
4. FINISH : ELECTRO DEPOSITED ZINC BASE WITH YELLOW TRIVALENT CHROMIUM OUTER BARRIER.
5. FINISH : ELECTRO DEPOSITED ZINC .
6. MATERIAL : 12 GA. (.104) TYPE 316 STAINLESS STEEL.

GENERAL NOTES		 A Member of the ABB Group	
1. ALL DIMENSIONS ARE FOR REFERENCE ONLY. 2. DIMENSIONS IN BRACKETS [] ARE IN METRIC UNITS.			
REVISIONS		www.tnb.com DESCRIPTION: KINDORF C105 AND SUPERSTRUT 702 SERIES PIPE STRAPS	
- SEE ERN (****) FOR APPROVAL SIGNATURES & RELEASE DATE. PROJECT NO: ****		ORIGINAL PROJECT NO / (ERN NO) XM400032 / (2015693)	SHEET NO: 1 OF 2
		REV. NO: -	DRAWING NO: WSD-001308

2" RIGID/STD STRAP	3.737	1.188	1.167	NOTE 6	-	701 2SS
1 5/8" O.D.T. CLAMP	2.985	.813	.759	NOTE 2	-	701 1 5/8SS
1 3/8" O.D.T. CLAMP	2.733	.688	.634	NOTE 2	-	701 1 3/8SS
1 1/8" O.D.T. CLAMP	2.478	.563	.509	NOTE 2	-	701 1 1/8SS
7/8" O.D.T. CLAMP	2.218	.438	.384	NOTE 2	-	701 7/8SS
1/2" O.D.T. CLAMP	1.959	.313	.259	NOTE 2	-	701 1/2SS
1 3/4" O.D.T. CLAMP	3.111	.875	.821	NOTE 3	-	701 1 3/4AL
1 5/8" O.D.T. CLAMP	2.985	.813	.759	NOTE 3	-	701 1 5/8AL
1 1/2" O.D.T. CLAMP	2.859	.750	.696	NOTE 3	-	701 1 1/2AL
1 3/8" O.D.T. CLAMP	2.733	.688	.634	NOTE 3	-	701 1 3/8AL
1 1/4" O.D.T. CLAMP	2.606	.625	.571	NOTE 3	-	701 1 1/4AL
1 1/8" O.D.T. CLAMP	2.478	.563	.509	NOTE 3	-	701 1 1/8AL
1" O.D.T. CLAMP	2.351	.500	.446	NOTE 3	-	701 1AL
7/8" O.D.T. CLAMP	2.218	.438	.384	NOTE 3	-	701 7/8AL
3/4" O.D.T. CLAMP	2.089	.375	.321	NOTE 3	-	701 3/4AL
5/8" O.D.T. CLAMP	1.959	.313	.259	NOTE 3	-	701 5/8AL
1/2" O.D.T. CLAMP	1.834	.250	.196	NOTE 3	-	701 1/2AL
1 3/4" O.D.T. CLAMP	3.111	.875	.821	NOTE 2	-	701 1 3/4SS
1 5/8" O.D.T. CLAMP	2.985	.813	.759	NOTE 2	-	701 1 5/8SS
1 1/2" O.D.T. CLAMP	2.859	.750	.696	NOTE 2	-	701 1 1/2SS
1 3/8" O.D.T. CLAMP	2.733	.688	.634	NOTE 2	-	701 1 3/8SS
1 1/4" O.D.T. CLAMP	2.606	.625	.571	NOTE 2	-	701 1 1/4SS
1 1/8" O.D.T. CLAMP	2.478	.563	.509	NOTE 2	-	701 1 1/8SS
1" O.D.T. CLAMP	2.351	.500	.446	NOTE 2	-	701 1SS
7/8" O.D.T. CLAMP	2.218	.438	.384	NOTE 2	-	701 7/8SS
3/4" O.D.T. CLAMP	2.089	.375	.321	NOTE 2	-	701 3/4SS
5/8" O.D.T. CLAMP	1.959	.313	.259	NOTE 2	-	701 5/8SS
1/2" O.D.T. CLAMP	1.834	.250	.196	NOTE 2	-	701 1/2SS
1 3/4" O.D.T. CLAMP	3.111	.875	.821	NOTE 1	NOTE 5	701 1 3/4EG
1 5/8" O.D.T. CLAMP	2.985	.813	.759	NOTE 1	NOTE 5	701 1 5/8EG
1 1/2" O.D.T. CLAMP	2.859	.750	.696	NOTE 1	NOTE 5	701 1 1/2EG
1 3/8" O.D.T. CLAMP	2.733	.688	.634	NOTE 1	NOTE 5	701 1 3/8EG
1 1/4" O.D.T. CLAMP	2.606	.625	.571	NOTE 1	NOTE 5	701 1 1/4EG
1 1/8" O.D.T. CLAMP	2.478	.563	.509	NOTE 1	NOTE 5	701 1 1/8EG
1" O.D.T. CLAMP	2.351	.500	.446	NOTE 1	NOTE 5	701 1EG
7/8" O.D.T. CLAMP	2.218	.438	.384	NOTE 1	NOTE 5	701 7/8EG
3/4" O.D.T. CLAMP	2.089	.375	.321	NOTE 1	NOTE 5	701 3/4EG
5/8" O.D.T. CLAMP	1.959	.313	.259	NOTE 1	NOTE 5	701 5/8EG
1/2" O.D.T. CLAMP	1.834	.250	.196	NOTE 1	NOTE 5	701 1/2EG
2" RIGID/STD STRAP	3.737	1.188	1.167	NOTE 3	-	C 105 AL 2
1 1/2" RIGID/STD STRAP	3.258	.950	.929	NOTE 3	-	C 105 AL 1 1/2
2" RIGID/STD STRAP	3.737	1.188	1.167	NOTE 2	-	C 105 2SS
A DESCRIPTION	B	D RADIUS	E	F MATERIAL	G FINISH	KINDORF & SUPERSTRUT CAT NO'S

<p>www.tnb.com</p> <p>Thomas & Betts A Member of the ABB Group</p>		
<p>DESCRIPTION: KINDORF C105 AND SUPERSTRUT 702 SERIES PIPE STRAPS</p>		
SHEET NO: 2 OF 2	REV. NO: -	DRAWING NO: WSD-001308