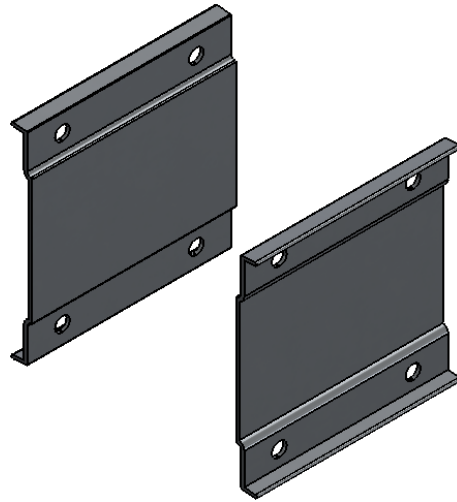
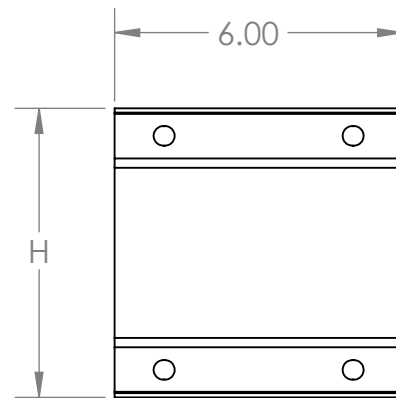


FSP FITTING SPLICE KIT



PATENT PENDING

- **Material:** Aluminum Alloy 6063 - t6
- **Finish:** Plain
- **Height (H):** Tray height: 4", 5", 6", 7"
- **Torque:** 19 - 25 ft-lbs



PRODUCT CODE	FASTENER OPTIONS
FSP	GE S6
CATALOG NUMBERING EXAMPLE:	
H / Material	Fasteners
4 A - FSP	- GE

