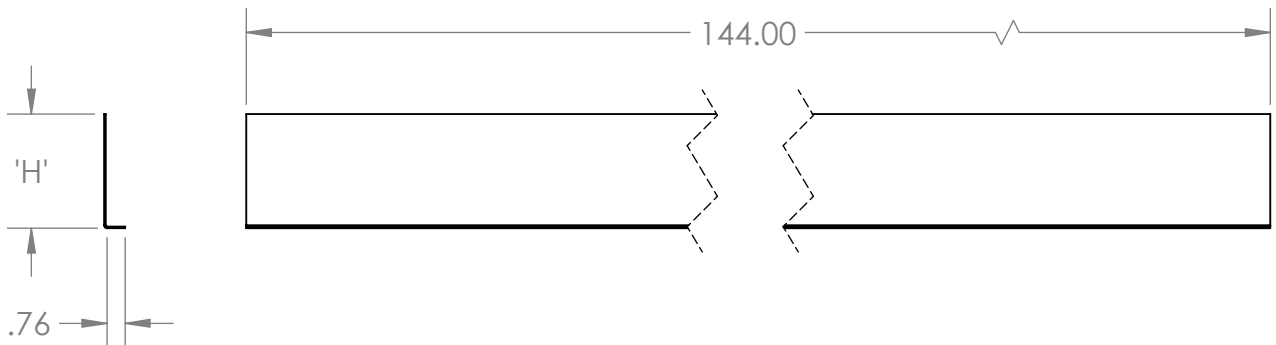
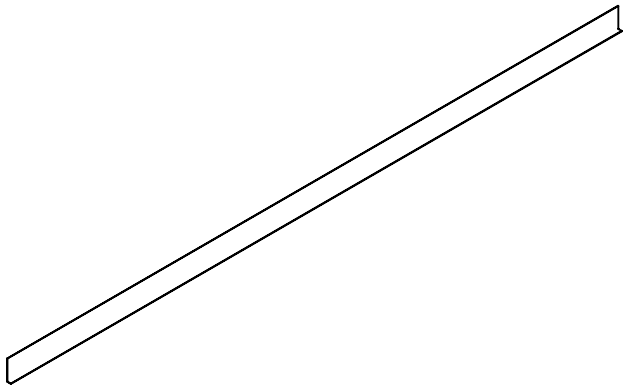


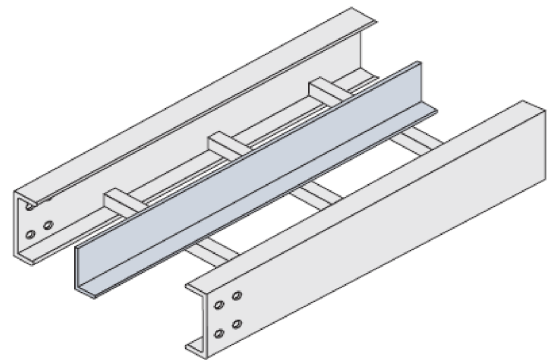


PW Ladder Cable Tray Divider Strip

0012-99 Series Straight Horizontal Divider



PRODUCT NUMBER	L	FASTENER OPTIONS
0012-99	12'	ZN S6
CATALOG NUMBERING EXAMPLE:		
Accessory System No.		Fasteners
4A - 0012-99 - ZN		



Material: Aluminum Finish: None
 Carbon Steel Mill Galvanized
 Carbon Steel Hot-Dip Galvanized
 316 Stainless steel None

Furnished with 4 #10 self drilling screws

Fastener Options: Stainless Steel (S6)
 Zinc Plated Steel (ZN)

RAIL HEIGHT (INCH)	Screws	'H'
4	(4#10 self drilling)	3"
5	(4#10 self drilling)	4"
6	(4#10 self drilling)	5"
7	(4#10 self drilling)	6"

"Copyright LNA, Inc. Drawings are proprietary and may not be copied or otherwise duplicated or used without express written permission."

CABCS1177

Legrand
 8319 State Rt. 4
 Mascoutah, IL 62258 USA
 800-658-4641
 618-566-3250
 Fax 618-566-4978
www.legrand.us/cablofil