



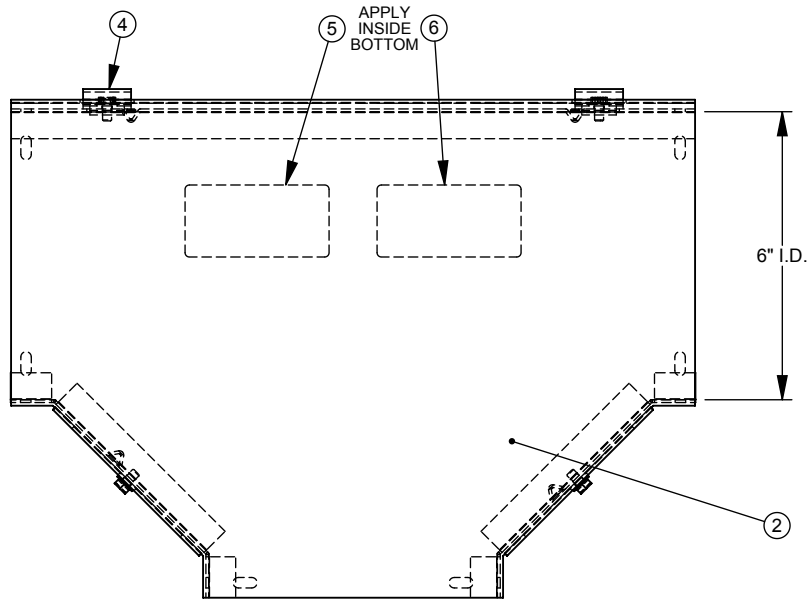
Catalog Number: 66GFT
Item Description: WIREWAY ACCESSORY
UPC Code: 784572108479

Brand Name: Milbank
Type: Wireway Tee
Application: Wireway Accessory
Standard: UL Listed, Type 1
Cover Type: Screw Cover
Enclosure: Indoor Enclosure
Nominal Cross Section: 6x6
Material: Steel with Powder Coat Finish
Finish: ANSI 61 Gray
Knockouts: False



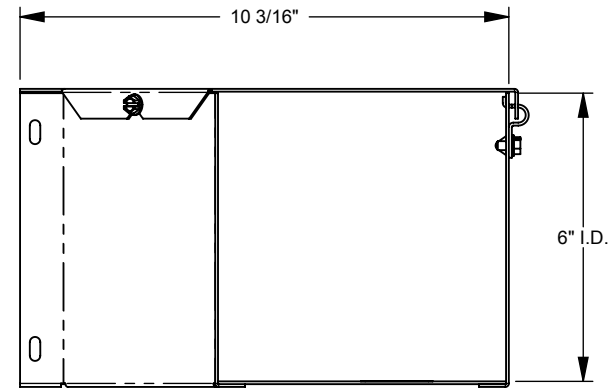
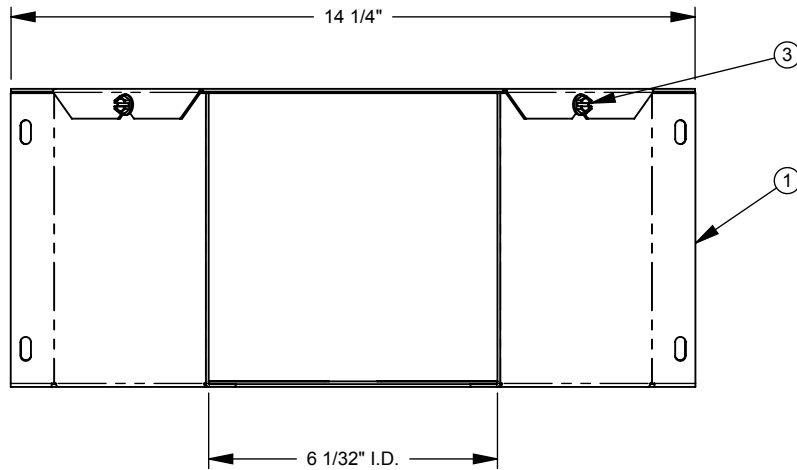
Utility requirements may vary. Always consult the serving utility for their requirements prior to ordering or installing this equipment. This product must always be installed by a licensed electrician. Installation of this equipment may require local electrical inspector approval.

CATALOG NO.	LABEL NO.
66GFT(-)	1002943
RC-66GFT(-)	1125051
SPAF-66(-)	1132575




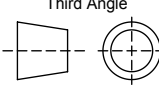
ITEM	QTY.	PART NUMBER	DESCRIPTION
1	1	(SEE CHART)	WELDMNT 66GFT
2	1	(SEE CHART)	TOP
3	4	1001290	SCREW, 10-32 X 5/16
4	2	1003198	HINGE
5	1	1002942	LABEL, RATING
6	1	(SEE CHART)	UL LABEL, WIREWAY
7	0.5	1002968	CARTON 2-PER (NOT SHOWN)

SUFFIX	FINISH	WELDMNT NO.	TOP NO.
NONE	MILBANK LIGHT GRAY	1160143	1160142
-NP	NONE	1160144	1128382



NEMA DWG.: #373

REV.	DATE	DESCRIPTION	BY
B3	7/25/12	REDRAW INTO SOLIDWORKS (ECO #22700)	D.F.

Material:	16 GA STEEL	 <p>General Offices: Kansas City, MO</p>	
Shear/ Die#:			
Finish:	SEE CHART		
Part Wt.:			
Tolerances: Unless Specified Otherwise X.X ±.1 X.XX ±.03 X.XXX ±.015 X* ±2*		Third Angle 	
Title:	HINGE COVER WIREWAY 6X6 TEE	Catalog No.:	SEE CHART
Customer:	MILBANK STANDARD	Drawing No.:	1006886
Scale:	NTS	Checked By:	
Drawn By:	D.F.	Approved By:	
Date:	7/25/12	Sheet	1 of 1



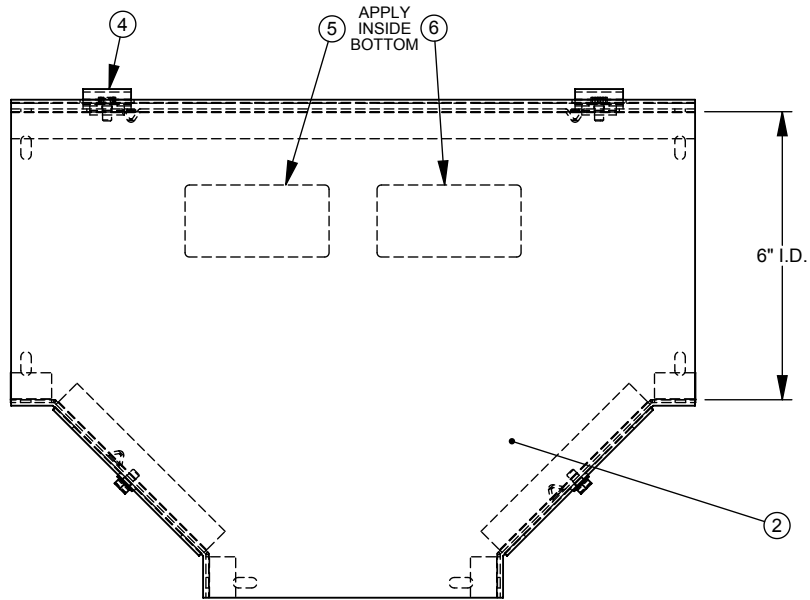
Catalog Number: 66GFT
Item Description: WIREWAY ACCESSORY
UPC Code: 784572108479

Brand Name: Milbank
Type: Wireway Tee
Application: Wireway Accessory
Standard: UL Listed, Type 1
Cover Type: Screw Cover
Enclosure: Indoor Enclosure
Nominal Cross Section: 6x6
Material: Steel with Powder Coat Finish
Finish: ANSI 61 Gray
Knockouts: False



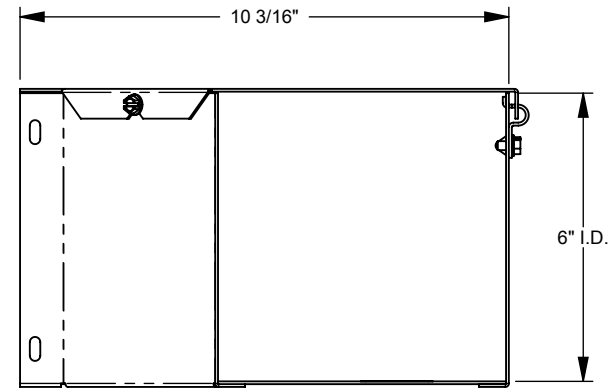
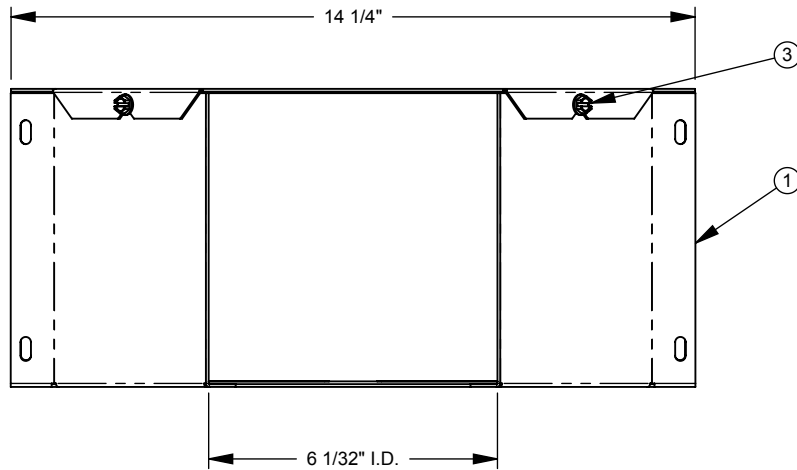
Utility requirements may vary. Always consult the serving utility for their requirements prior to ordering or installing this equipment. This product must always be installed by a licensed electrician. Installation of this equipment may require local electrical inspector approval.

CATALOG NO.	LABEL NO.
66GFT(-)	1002943
RC-66GFT(-)	1125051
SPAF-66(-)	1132575




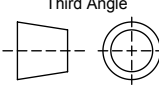
ITEM	QTY.	PART NUMBER	DESCRIPTION
1	1	(SEE CHART)	WELDMNT 66GFT
2	1	(SEE CHART)	TOP
3	4	1001290	SCREW, 10-32 X 5/16
4	2	1003198	HINGE
5	1	1002942	LABEL, RATING
6	1	(SEE CHART)	UL LABEL, WIREWAY
7	0.5	1002968	CARTON 2-PER (NOT SHOWN)

SUFFIX	FINISH	WELDMNT NO.	TOP NO.
NONE	MILBANK LIGHT GRAY	1160143	1160142
-NP	NONE	1160144	1128382



NEMA DWG.: #373

REV.	DATE	DESCRIPTION	BY
B3	7/25/12	REDRAW INTO SOLIDWORKS (ECO #22700)	D.F.

Material:	16 GA STEEL	 <p>General Offices: Kansas City, MO</p>	
Shear/ Die#:			
Finish:	SEE CHART	Title:	HINGE COVER WIREWAY 6X6 TEE
Part Wt.:		Catalog No.:	SEE CHART
Tolerances: Unless Specified Otherwise X.X ±.1 X.XX ±.03 X.XXX ±.015 X* ±2*		Third Angle 	
Scale:	NTS	Checked By:	
Drawn By:	D.F.	Approved By:	
Date:		7/25/12	Sheet 1 of 1

1006886