



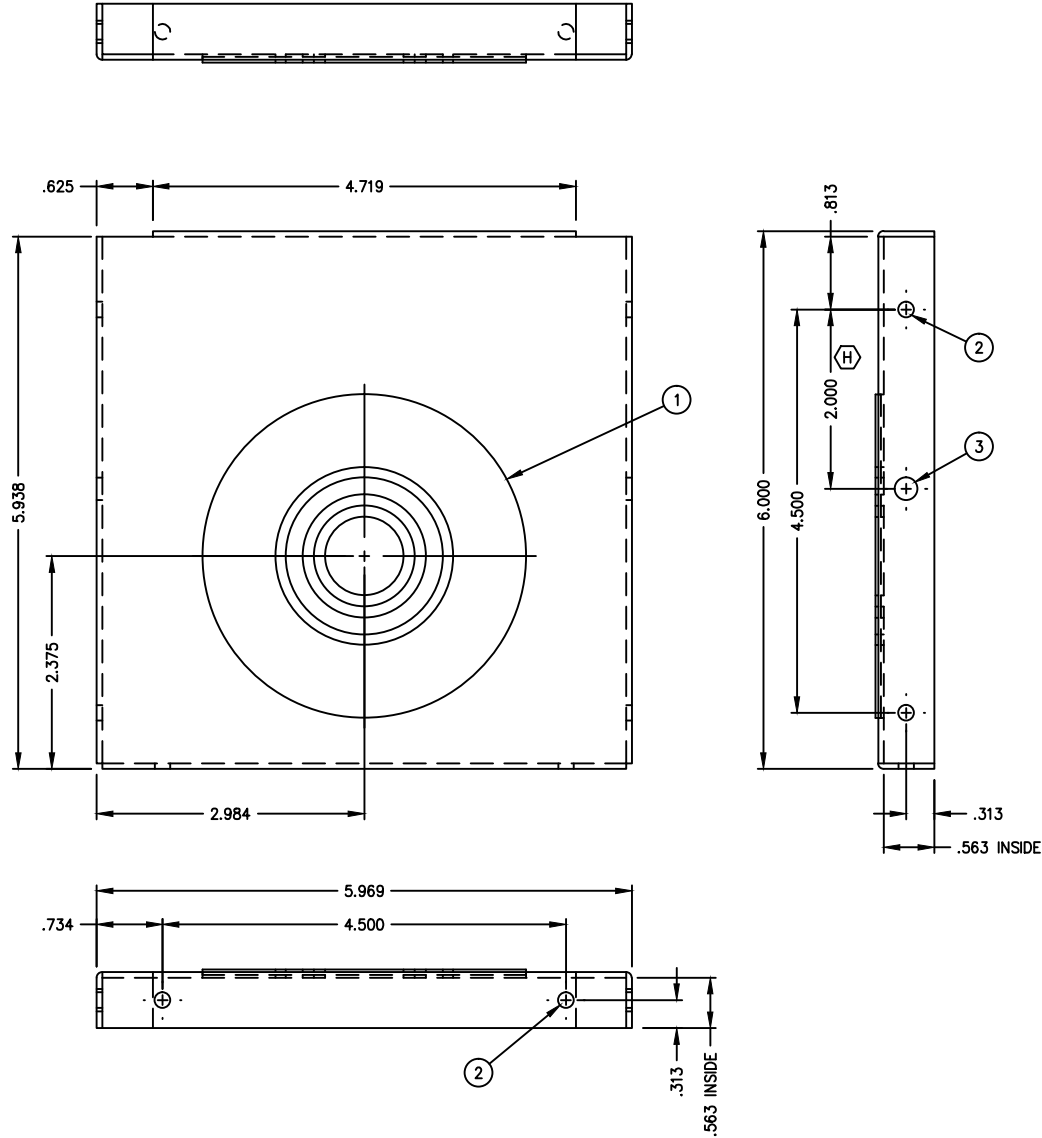
Catalog Number: 66GE-NK  
Item Description: WIREWAY ACCESSORY  
UPC Code: 784572108400

Brand Name: Milbank  
Type: Wireway End  
Application: Wireway Accessory  
Standard: UL Listed, Type 1  
Cover Type: Screw Cover  
Enclosure: Indoor Enclosure  
Material: Steel with Powder Coat Finish  
Finish: ANSI 61 Gray  
Knockouts: False



*Utility requirements may vary. Always consult the serving utility for their requirements prior to ordering or installing this equipment. This product must always be installed by a licensed electrician. Installation of this equipment may require local electrical inspector approval.*

BILL OF MATERIAL		
NO.	QTY.	DESCRIPTION
1	1	1/2, 3/4, 1, 1 1/4, 1 1/2, 3 CONC. KO
2	6	Ø .173
3	2	Ø .250 (PAINT LINE HANGER)



- NOTE:**
- ⊕ 1. DIE RUN COMPLETE  
KC DIE #2875
  - ⊕ 2. WHEN SOLD AS "-SSH",  
PACK WITH (2) 913638-SS.

CATALOG NO.	M2K NO.	MAT'L	P/N	M2K NO.
66GE	1003103	CRS	811061-SU	1173177
66GE-NK	1003166	CRS	811061-SUNK	1173178
66GE-NP	1004117	GALV	811061-SO	1002326
66GE-NK-NP	1011597	GALV	811061-NK	1002319

**TOLERANCES:**  
UNLESS NOTED OTHERWISE

X.X	± .1
X.XX	± .03
X.XXX	± .015
X	± .2

THIRD ANGLE  
 PROJECTION  
 DRAWN: VJR  
 CHKD:  
 APPR:

REV	DATE	DESCRIPTION	BY
I	9/18/14	ADD CHART(ⓔECR2925)	SEM
H	10-13-98	REVISE KNOCKOUT ORIENTATION ALT #2032 DWG. INCORRECT	KO
H	9-24-98	CHANGE DIE LOCATION, DIM ALT #2032	KO
MATERIAL		16 GA. GALVANIZED	
FINISH		PAINTED MILBANK LIGHT GRAY	
CATALOG NUMBER		66GE	
TITLE		END COVER 6 x 6 GSC1 SCREW COVER WIREWAY	
CUSTOMER			
DRAWING NUMBER		811061-11	
SCALE:		NTS	
DATE:		6-1-90	
MILBANK MFG. CO.		GENERAL OFFICES KANSAS CITY, MO.	



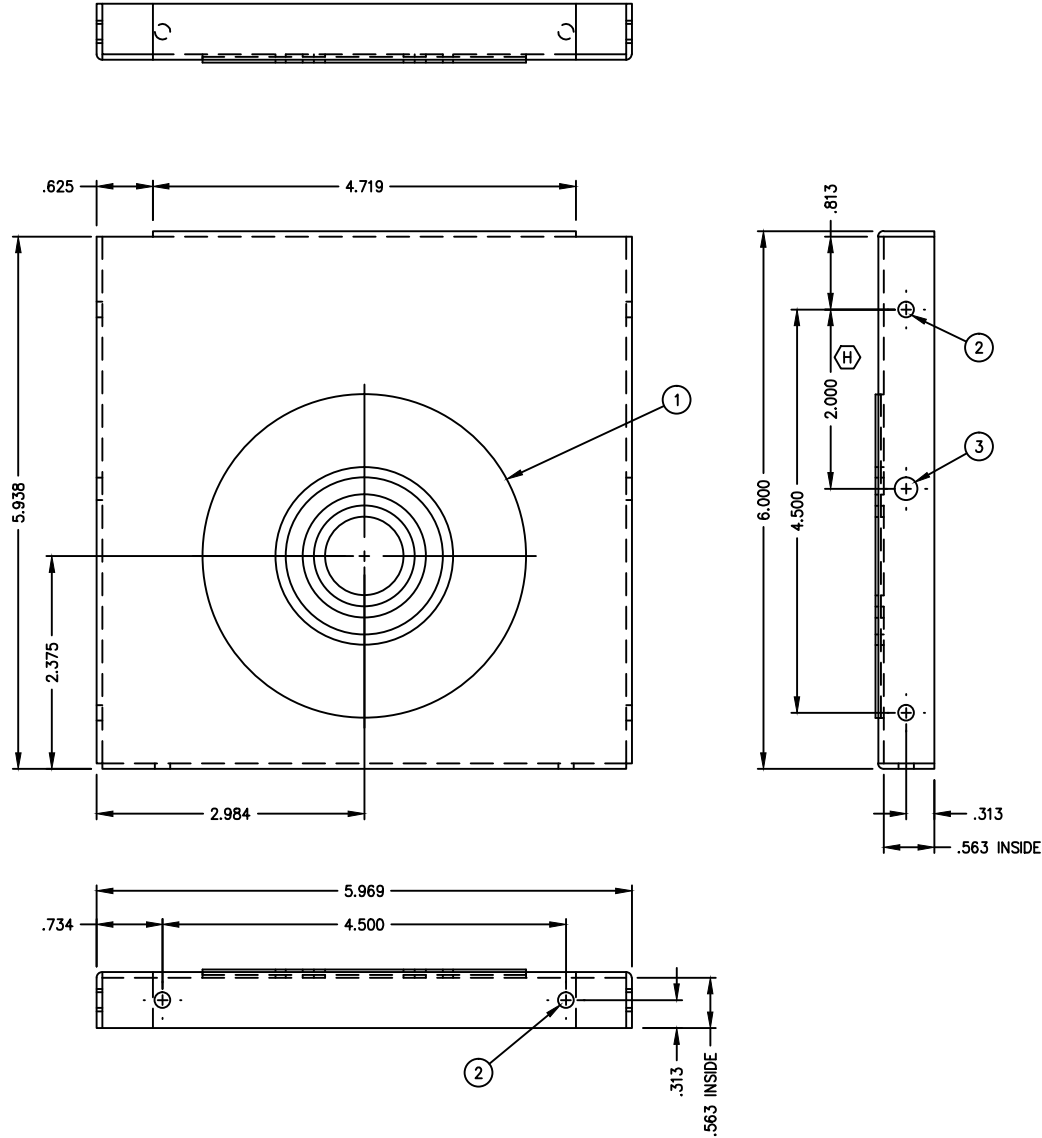
Catalog Number: 66GE-NK  
Item Description: WIREWAY ACCESSORY  
UPC Code: 784572108400

Brand Name: Milbank  
Type: Wireway End  
Application: Wireway Accessory  
Standard: UL Listed, Type 1  
Cover Type: Screw Cover  
Enclosure: Indoor Enclosure  
Material: Steel with Powder Coat Finish  
Finish: ANSI 61 Gray  
Knockouts: False

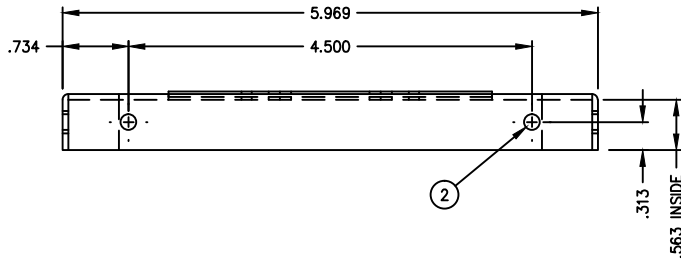


*Utility requirements may vary. Always consult the serving utility for their requirements prior to ordering or installing this equipment. This product must always be installed by a licensed electrician. Installation of this equipment may require local electrical inspector approval.*

BILL OF MATERIAL		
NO.	QTY.	DESCRIPTION
1	1	1/2, 3/4, 1, 1 1/4, 1 1/2, 3 CONC. KO
2	6	Ø .173
3	2	Ø .250 (PAINT LINE HANGER)



- NOTE:**
- ⊕ 1. DIE RUN COMPLETE  
KC DIE #2875
  - ⊕ 2. WHEN SOLD AS "-SSH",  
PACK WITH (2) 913638-SS.



CATALOG NO.	M2K NO.	MAT'L	P/N	M2K NO.
66GE	1003103	CRS	811061-SU	1173177
66GE-NK	1003166	CRS	811061-SUNK	1173178
66GE-NP	1004117	GALV	811061-SO	1002326
66GE-NK-NP	1011597	GALV	811061-NK	1002319

REV.	DATE	DESCRIPTION	BY
I	9/18/14	ADD CHART(ⓔCR2925)	SEM
H110-13-98		REVISE KNOCKOUT ORIENTATION ALT #2032 DWG. INCORRECT	KO
H	9-24-98	CHANGE DIE LOCATION, DIM ALT #2032	KO

MATERIAL	16 GA. GALVANIZED
FINISH	PAINTED MILBANK LIGHT GRAY
CATALOG NUMBER	<b>66GE</b>
TITLE	END COVER 6 x 6 GSC1 SCREW COVER WIREWAY
CUSTOMER	
DRAWING NUMBER	<b>811061-11</b>
SCALE:	NTS
DATE:	6-1-90

**TOLERANCES:**  
UNLESS NOTED OTHERWISE

X.X	± .1
X.XX	± .03
X.XXX	± .015
X	± .2

THIRD ANGLE  
PROJECTION

DRAWN: VJR  
CHKD:  
APPR: