



Catalog Number: 664-SC1-NK
Item Description: N1 SCREW COVER ENCL NK
UPC Code: 784572108035

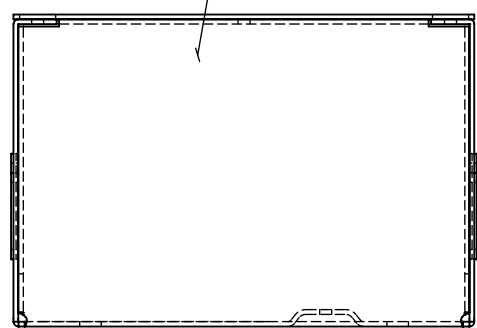
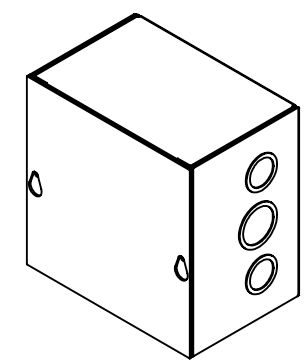
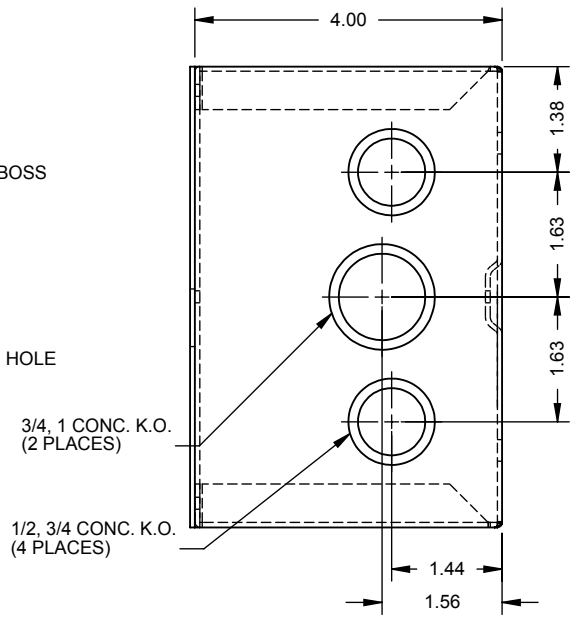
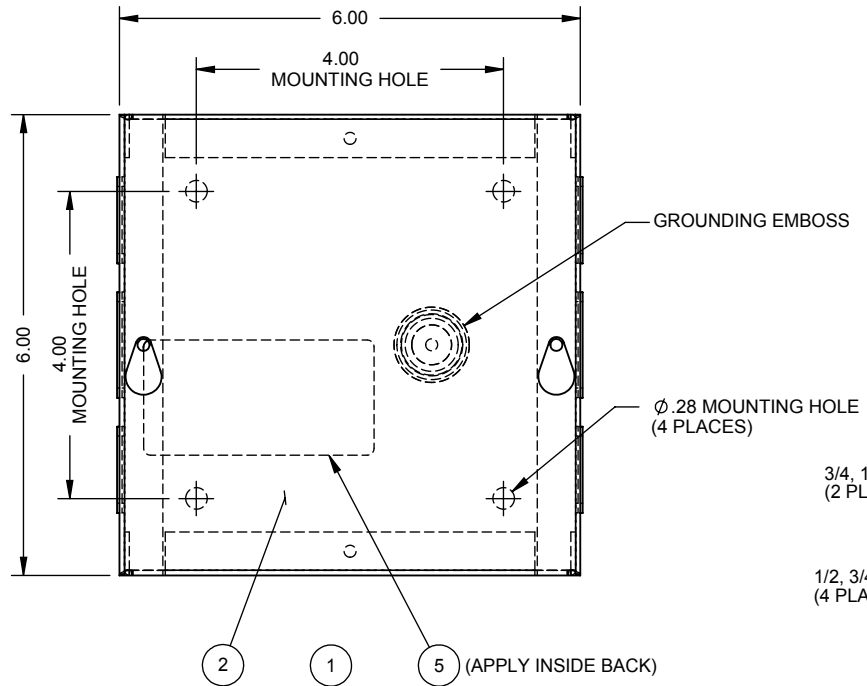
Brand Name: Milbank
Type: Screw Cover
Special Features: Cover Secured with Plated Screws
Application: Enclosure for Mounting Electrical Equipment
Standard: UL Listed
Number Of Outlet: 0
Material: Steel with Powder Coat Finish
Color: ANSI 61 Gray
Mounting: Wall Mount
NEMA Rating: Type 1



Utility requirements may vary. Always consult the serving utility for their requirements prior to ordering or installing this equipment. This product must always be installed by a licensed electrician. Installation of this equipment may require local electrical inspector approval.

| CATALOG# | LABEL# |
|---------------|---------|
| 664-SC1(-) | 1002135 |
| RC-664-SC1(-) | 1125021 |
| SPSC-664(-) | 1132714 |

| ITEM | QTY. | PART NUMBER | DESCRIPTION |
|------|------|-------------|------------------------------------|
| 1 | 1 | (SEE CHART) | BACK WELDMENT |
| 2 | 1 | (SEE CHART) | COVER PLATE |
| 3 | 1 | 1002170 | BAG ASSY (SEE NOTE) |
| 4 | 1 | 1002475 | BAG ASSY, GROUND SCREW (NOT SHOWN) |
| 5 | 1 | (SEE CHART) | LABEL (UL) |
| 6 | 0.11 | 1002133 | CARTON 9-PER (NOT SHOWN) |



| SUFFIX | FINISH | PLATE NO. | WELDMENT NO. | INSTALL KOs |
|--------|------------|-----------|--------------|-------------|
| NONE | MILBANK | 1156568 | 1156569 | YES |
| -NK | LIGHT GRAY | | 1156570 | NO |
| -NP | NONE | 1003322 | 1156571 | YES |
| -NK-NP | | | 1156572 | NO |

NOTES:
 1.) BAG ASSY TO BE SHIPPED INSIDE OF EACH ENCLOSURE.
 2.) WHEN SOLD WITH "R" PREFIX, APPLY STANDARD CARTON LABEL SHOWING QUANTITY OF 1 TO THE WRAPPING OF EACH UNIT. APPLY STANDARD CARTON LABEL TO CARTON SHOWING QUANTITY OF 9.

| | | | | | | | | | | | | | | | | | | | |
|----|---------|--|------|--|--|--|--|--|--|--|--|--|--|--|--|--|--|--|--|
| G4 | 5/16/12 | NOTE 2: "THE WRAPPING" WAS "SHRINK WRAP" | | | | | | | | | | | | | | | | | |
| | | (ECO #22340) | D.F. | | | | | | | | | | | | | | | | |

| | | |
|--|----------------------------------|-------------------------------------|
| Material: | SEE CHART | General Offices: Kansas City, MO |
| Finish: | SEE CHART | |
| Tolerances: Unless Specified Otherwise X.X ±.1 X.XX ±.03 X.XXX ±.015 X* ±2° | Third Angle Projection | |
| Title: | 664 SCREW COVER TYPE 1 ENCLOSURE | |
| Catalog No.: | (SEE CHART) | |
| Customer: | MILBANK STD. | |
| Drawing No.: | 1003068 | |
| Scale: | NTS | Checked By: |
| Drawn By: | DY | Approved By: |
| Date: | 05/01/01 | Sheet 1 of 1 |



Catalog Number: 664-SC1-NK
Item Description: N1 SCREW COVER ENCL NK
UPC Code: 784572108035

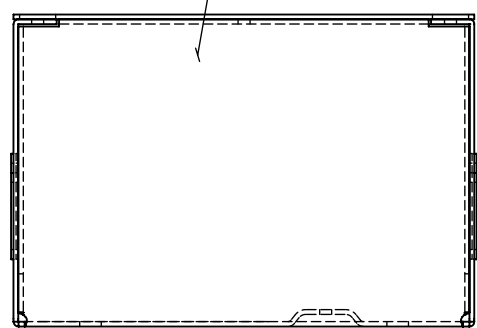
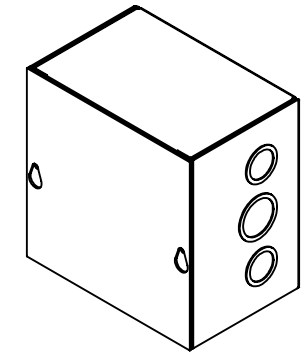
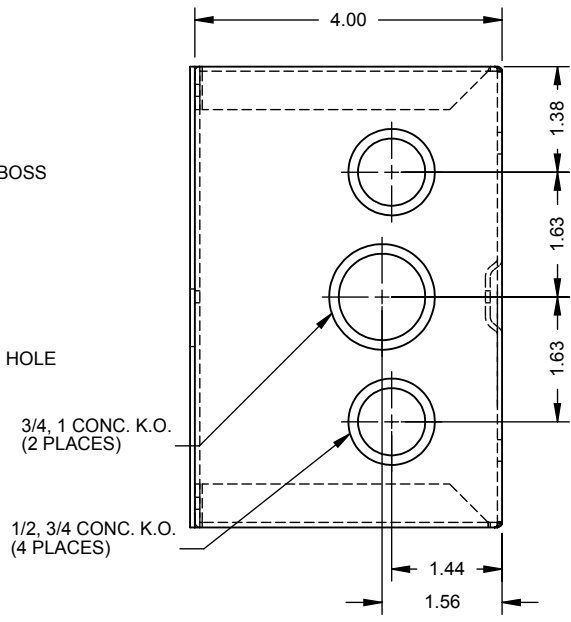
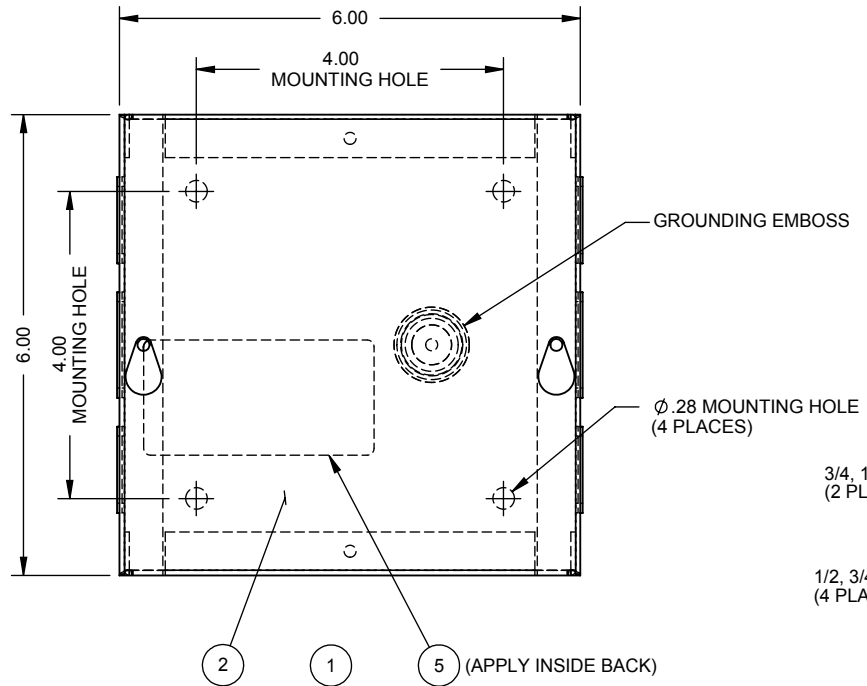
Brand Name: Milbank
Type: Screw Cover
Special Features: Cover Secured with Plated Screws
Application: Enclosure for Mounting Electrical Equipment
Standard: UL Listed
Number Of Outlet: 0
Material: Steel with Powder Coat Finish
Color: ANSI 61 Gray
Mounting: Wall Mount
NEMA Rating: Type 1



Utility requirements may vary. Always consult the serving utility for their requirements prior to ordering or installing this equipment. This product must always be installed by a licensed electrician. Installation of this equipment may require local electrical inspector approval.

| CATALOG# | LABEL# |
|---------------|---------|
| 664-SC1(-) | 1002135 |
| RC-664-SC1(-) | 1125021 |
| SPSC-664(-) | 1132714 |


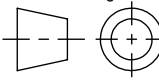
| ITEM | QTY. | PART NUMBER | DESCRIPTION |
|------|------|-------------|------------------------------------|
| 1 | 1 | (SEE CHART) | BACK WELDMENT |
| 2 | 1 | (SEE CHART) | COVER PLATE |
| 3 | 1 | 1002170 | BAG ASSY (SEE NOTE) |
| 4 | 1 | 1002475 | BAG ASSY, GROUND SCREW (NOT SHOWN) |
| 5 | 1 | (SEE CHART) | LABEL (UL) |
| 6 | 0.11 | 1002133 | CARTON 9-PER (NOT SHOWN) |



| SUFFIX | FINISH | PLATE NO. | WELDMENT NO. | INSTALL KOs |
|--------|------------|-----------|--------------|-------------|
| NONE | MILBANK | 1156568 | 1156569 | YES |
| -NK | LIGHT GRAY | | 1156570 | NO |
| -NP | NONE | 1003322 | 1156571 | YES |
| -NK-NP | | | 1156572 | NO |

NOTES:
 1.) BAG ASSY TO BE SHIPPED INSIDE OF EACH ENCLOSURE.
 2.) WHEN SOLD WITH "R" PREFIX, APPLY STANDARD CARTON LABEL SHOWING QUANTITY OF 1 TO THE WRAPPING OF EACH UNIT. APPLY STANDARD CARTON LABEL TO CARTON SHOWING QUANTITY OF 9.

| | | | | | | | | | | | | | | | | | | | |
|----|---------|--|------|--|--|--|--|--|--|--|--|--|--|--|--|--|--|--|--|
| G4 | 5/16/12 | NOTE 2: "THE WRAPPING" WAS "SHRINK WRAP" | | | | | | | | | | | | | | | | | |
| | | (ECO #22340) | D.F. | | | | | | | | | | | | | | | | |

| | | | |
|--|--|---|--------|
| Material: | SEE CHART |  General Offices: Kansas City, MO | |
| Finish: | SEE CHART | | |
| Tolerances: Unless Specified Otherwise X.X ±.1 X.XX ±.03 X.XXX ±.015 X* ±2* | Third Angle  Projection | | |
| Title: | 664 SCREW COVER TYPE 1 ENCLOSURE | | |
| Catalog No.: | (SEE CHART) | | |
| Customer: | MILBANK STD. | | |
| Drawing No.: | 1003068 | | |
| Scale: | NTS | Checked By: | |
| Drawn By: | DY | Approved By: | |
| Date: | 05/01/01 | Sheet | 1 of 1 |