



Catalog Number: 6624-GHC1-NK
Item Description: N1 HINGE CVR GUTTER NK
UPC Code: 784572107854

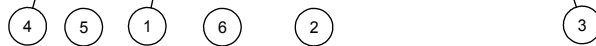
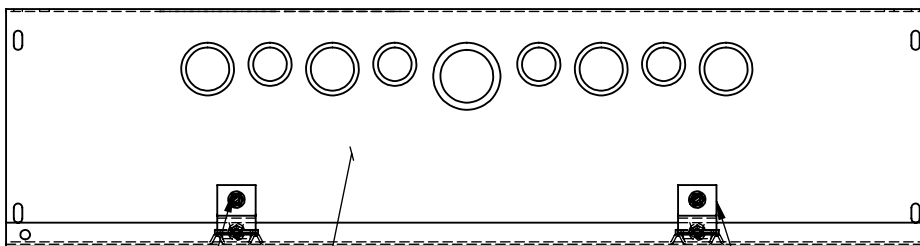
Brand Name: Milbank
Type: Lay In Wireway
Application: Wireway
Standard: UL Listed, Type 1
Cover Type: Hinge Cover
Enclosure: Indoor Enclosure
Nominal Cross Section: 6x6
Straight Section Length: 24
Material: Steel with Powder Coat Finish
Finish: ANSI 61 Gray
Knockouts: False



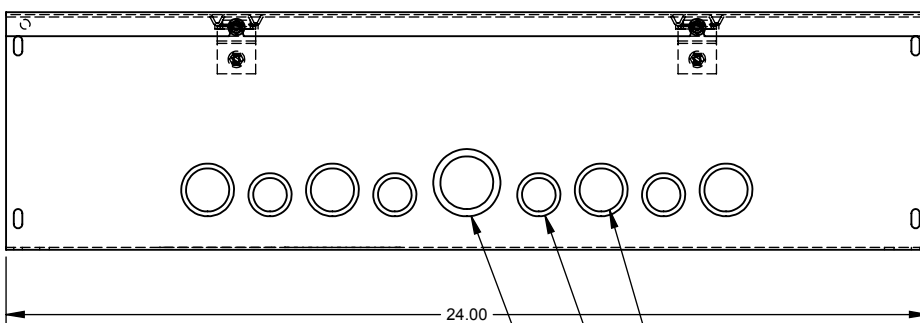
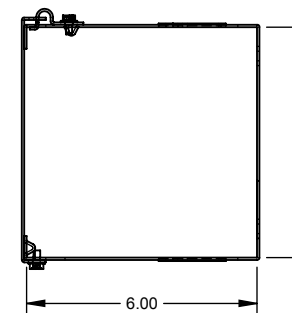
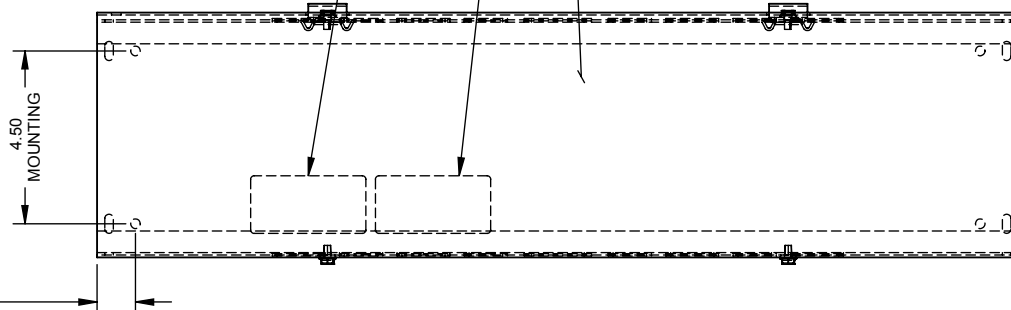
Utility requirements may vary. Always consult the serving utility for their requirements prior to ordering or installing this equipment. This product must always be installed by a licensed electrician. Installation of this equipment may require local electrical inspector approval.

| CATALOG# | LABEL# |
|-----------------|---------|
| 6624-GHC1(-) | 1002943 |
| RC-6624-GHC1(-) | 1125051 |
| SPH-662(-) | 1132575 |

| ITEM | QTY. | PART NUMBER | DESCRIPTION |
|------|------|-------------|---------------------|
| 1 | 1 | (SEE CHART) | BACK |
| 2 | 1 | (SEE CHART) | TOP |
| 3 | 2 | 1003198 | HINGE |
| 4 | 4 | 1001290 | SCREW, 10-32 X 5/16 |
| 5 | 1 | (SEE CHART) | LABEL (U/L LISTING) |
| 6 | 1 | 1002942 | LABEL, RATING |
| 7 | 2 | 1002880 | BAG ASSY. |




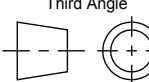
| SUFFIX | BACK # | COVER # |
|--------|---------|---------|
| -SU | 1011986 | 1011990 |
| -SUC | 1128881 | 1128860 |
| -SO | 1128882 | 1128861 |
| -SUNK | 1011988 | 1011990 |
| -NK | 1128884 | 1128861 |
| -SUNKC | 1128885 | 1128860 |



- 3/4, 1 CONC. K.O.
8 PL
- 1/2, 3/4 CONC. K.O.
8 PL
- 1, 1-1/4 CONC. K.O.
2 PL

| SUFFIX | FINISH |
|--------|-------------|
| NONE | PAINTED |
| -NP | NOT PAINTED |

NOTE:
1. PLACE BAG ASS'Y INSIDE ENCLOSURE. (NOT SHOWN)

| | | | |
|--|--------------------|---|---|
| Material: | 16 GA. - SEE CHART |  General Offices: Kansas City, MO | |
| Shear/ Die#: | | | |
| Finish: | SEE CHART | Title: | HINGE COVER WIREWAY 6 x 6 x 24, TYPE 1 NEMA ENCLOSURE |
| Part Wt.: | | Catalog No.: | 6624-GHC1 |
| Tolerances: Unless Specified Otherwise X.X ±.1 X.XX ±.03 X.XXX ±.015 X" ±2* | | Customer: | MILBANK STANDARD |
| Third Angle  | | Drawing No.: | 357 |
| Scale: | NTS | Date: | 8-28-07 |
| Drawn By: | DL | Sheet | 1 of 1 |

| REV | DATE | DESCRIPTION | BY |
|-----|---------|---|-----|
| D | 8-28-07 | REDRAWN IN SW & ADDED BACK & COVER CHART ECO. 15946 | DL |
| D1 | 4/10/08 | ADDED CHART & REMOVED NOTE #2 (ECO.17139) | JLT |



Catalog Number: 6624-GHC1-NK
Item Description: N1 HINGE CVR GUTTER NK
UPC Code: 784572107854

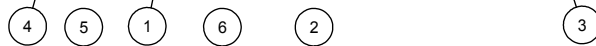
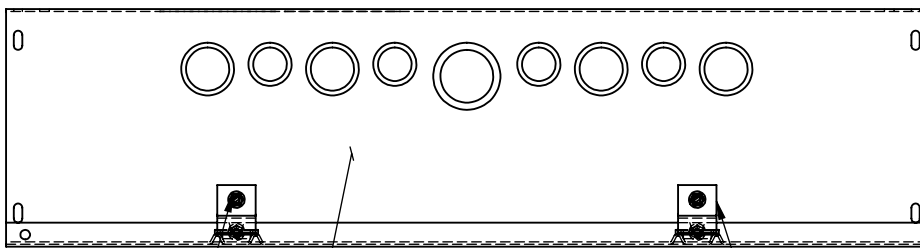
Brand Name: Milbank
Type: Lay In Wireway
Application: Wireway
Standard: UL Listed, Type 1
Cover Type: Hinge Cover
Enclosure: Indoor Enclosure
Nominal Cross Section: 6x6
Straight Section Length: 24
Material: Steel with Powder Coat Finish
Finish: ANSI 61 Gray
Knockouts: False



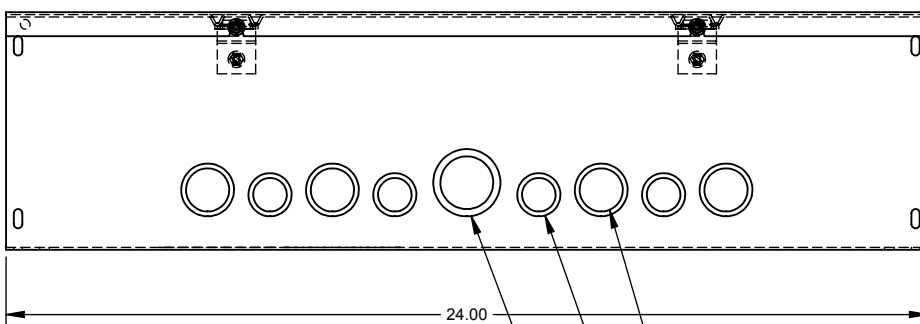
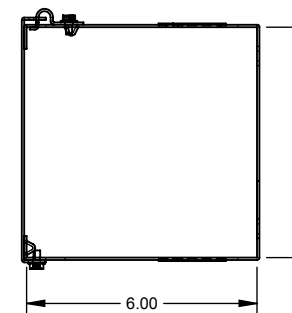
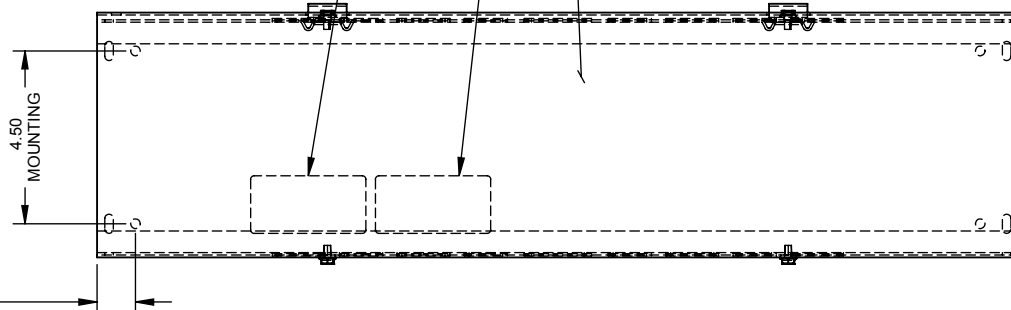
Utility requirements may vary. Always consult the serving utility for their requirements prior to ordering or installing this equipment. This product must always be installed by a licensed electrician. Installation of this equipment may require local electrical inspector approval.

| CATALOG# | LABEL# |
|-----------------|---------|
| 6624-GHC1(-) | 1002943 |
| RC-6624-GHC1(-) | 1125051 |
| SPH-662(-) | 1132575 |

| ITEM | QTY. | PART NUMBER | DESCRIPTION |
|------|------|-------------|---------------------|
| 1 | 1 | (SEE CHART) | BACK |
| 2 | 1 | (SEE CHART) | TOP |
| 3 | 2 | 1003198 | HINGE |
| 4 | 4 | 1001290 | SCREW, 10-32 X 5/16 |
| 5 | 1 | (SEE CHART) | LABEL (U/L LISTING) |
| 6 | 1 | 1002942 | LABEL, RATING |
| 7 | 2 | 1002880 | BAG ASSY. |




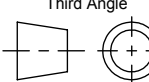
| SUFFIX | BACK # | COVER # |
|--------|---------|---------|
| -SU | 1011986 | 1011990 |
| -SUC | 1128881 | 1128860 |
| -SO | 1128882 | 1128861 |
| -SUNK | 1011988 | 1011990 |
| -NK | 1128884 | 1128861 |
| -SUNKC | 1128885 | 1128860 |



- 3/4, 1 CONC. K.O.
8 PL
- 1/2, 3/4 CONC. K.O.
8 PL
- 1, 1-1/4 CONC. K.O.
2 PL

| SUFFIX | FINISH |
|--------|-------------|
| NONE | PAINTED |
| -NP | NOT PAINTED |

NOTE:
1. PLACE BAG ASS'Y INSIDE ENCLOSURE. (NOT SHOWN)

| | | | |
|--|--------------------|---|---|
| Material: | 16 GA. - SEE CHART |  General Offices: Kansas City, MO | |
| Shear/ Die#: | | | |
| Finish: | SEE CHART | Title: | HINGE COVER WIREWAY 6 x 6 x 24, TYPE 1 NEMA ENCLOSURE |
| Part Wt.: | | Catalog No.: | 6624-GHC1 |
| Tolerances: Unless Specified Otherwise X.X ±.1 X.XX ±.03 X.XXX ±.015 X* ±2* | | Customer: | MILBANK STANDARD |
| Third Angle  | | Drawing No.: | 357 |
| Scale: | NTS | Date: | 8-28-07 |
| Drawn By: | DL | Sheet | 1 of 1 |

| REV | DATE | DESCRIPTION | BY |
|-----|---------|---|-----|
| D | 8-28-07 | REDRAWN IN SW & ADDED BACK & COVER CHART ECO. 15946 | DL |
| D1 | 4/10/08 | ADDED CHART & REMOVED NOTE #2 (ECO.17139) | JLT |