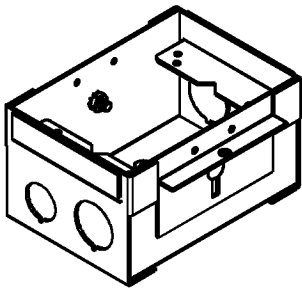




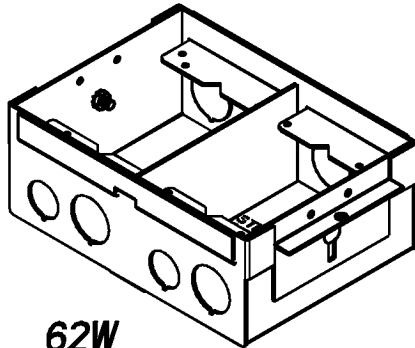
Steel City



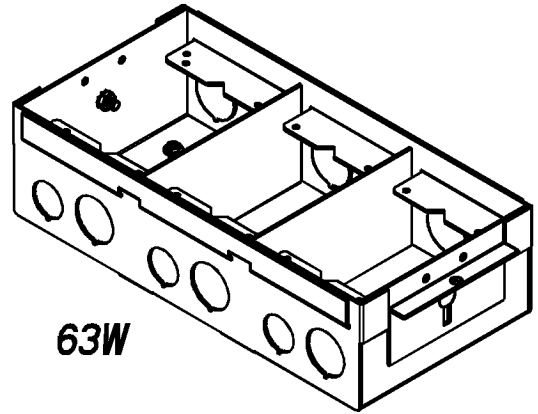
60W SERIES FLOOR BOXES FOR WOOD SUBFLOORS



61W



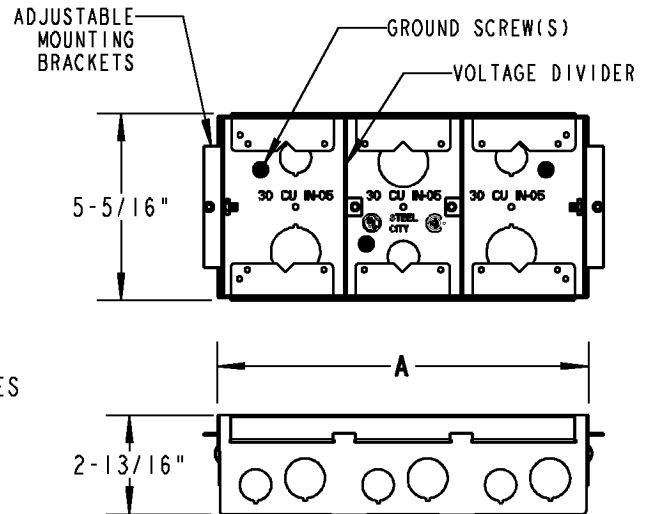
62W



63W

FEATURES:

- ALL STEEL CONSTRUCTION: PRE-GALVANIZED G-90
- ADJUSTABLE MOUNTING BRACKETS FOR VARIOUS FINISHED FLOOR MATERIAL HEIGHTS (HARDWOODS, TILE OR CARPET).
- VOLTAGE DIVIDERS INCLUDED FOR 61W AND 62W FLOOR BOXES. GROUND SCREWS INCLUDED FOR EACH COMPARTMENT (ALL FLOOR BOXES).
- 1/2", 3/4" AND 1" KNOCK-OUTS FOR MORE FLEXIBLE APPLICATIONS (SEE CHART).
- FOR USE WITH P64 SERIES METALLIC COVERS AND METALLIC CARPET PLATES OR P64P SERIES NON-METALLIC COVERS AND NON-METALLIC CARPET PLATES SOLD SEPARATELY.



CAT. NO.	DESCRIPTION	A	KNOCK-OUTS	CAPACITY
61W	1-GANG FLOOR BOX FOR WOOD SUBFLOORS	3-11/16"	ENDS: (2) 1/2", (2) 3/4" BOTTOM: (1) 1/2", (1) 1"	(1) COMPARTMENT @ 31 CU. IN.
62W	2-GANG FLOOR BOX FOR WOOD SUBFLOORS	7-1/16"	ENDS: (4) 1/2", (4) 3/4" BOTTOM: (2) 1/2", (2) 1"	(2) COMPARTMENTS @ 30 CU. IN. EACH
63W	3-GANG FLOOR BOX FOR WOOD SUBFLOORS	10-1/4"	ENDS: (6) 1/2", (6) 3/4" BOTTOM: (3) 1/2", (3) 1"	(3) COMPARTMENTS @ 30 CU. IN. EACH

GENERAL NOTES

1. ALL DIMENSIONS ARE FOR REFERENCE ONLY.
2. DIMENSIONS IN BRACKETS [] ARE IN METRIC UNITS.

REVISIONS

*** SEE ERN (****) FOR APPROVAL SIGNATURES & RELEASE DATE.
PROJECT NO: ****

Thomas & Betts

www.tnb.com

DESCRIPTION:

60W SERIES FLOOR BOXES FOR WOOD SUBFLOORS

ORIGINAL PROJECT NO / (ERN NO)

UD55580 / (2010828)

SHEET NO:

1 OF 1

REV. NO:

-

DRAWING NO:

WSD-000515

THIS DRAWING IS INTENDED FOR DESCRIPTIVE PURPOSES ONLY. AND THE RIGHT IS RESERVED TO DEVIATE FROM ANY OF THE DETAILS SHOWN HEREON.

©2009 Thomas & Betts - Proprietary. All Rights Reserved