

Transformers

AC - Class 2

590 Series

Edwards 590 Series Class 2 Signaling Transformers are easy to install, low voltage power sources for residential, commercial, and industrial uses.

Mounts in a standard 1/2" (13mm) knockout or surface mounts using the provided foot mounts. These transformers are suitable for mounting in both plastic and metal back boxes. May also be used with the 593 transformer plate for enclosed mounting in a standard two gang outlet box.

The 591 transformer is suitable for standard doorbells and chimes in residential and commercial applications requiring 16 volts AC.

The Edwards 598, 598Y, 599 and 599Y transformers offer high power for long wire runs or for applications requiring greater power such as door openers.

Features and Specifications

- Non-regenerative thermal overload protection
- Grounding wire
- Pre-stripped primary side pigtails
- Screw terminal connections on secondary



| Ordering Information | | Secondary | | |
|----------------------|----------|------------------------------|--------|----|
| Description | Cat. No. | Primary Voltage ¹ | Volts | VA |
| Class 2 Transformers | 590 | 120V AC | 10V AC | 5 |
| | 590Y | 240V AC | 10V AC | 5 |
| | 591 | 120V AC | 16V AC | 10 |
| | | | 8V AC | 10 |
| | 592 | 120V AC | 16V AC | 10 |
| | | | 24V AC | 20 |
| | | | 8V AC | 10 |
| | 592Y | 240V AC | 16V AC | 10 |
| | | | 24V AC | 20 |
| | | | 6V AC | 10 |
| | 596 | 120V AC | 12V AC | 15 |
| | | | 18V AC | 15 |
| | | | 8V AC | 20 |
| | 598 | 120V AC | 16V AC | 30 |
| | | | 24V AC | 30 |
| | | | 8V AC | 20 |
| 598Y | 240V AC | 16V AC | 30 | |
| | | 24V AC | 30 | |
| | | 24V AC | 40 | |
| 599 | 120V AC | 24V AC | 40 | |
| 599Y | 240V AC | 24V AC | 40 | |

¹AC voltage frequency is 50/60 Hz



Transformers

AC - Class 2

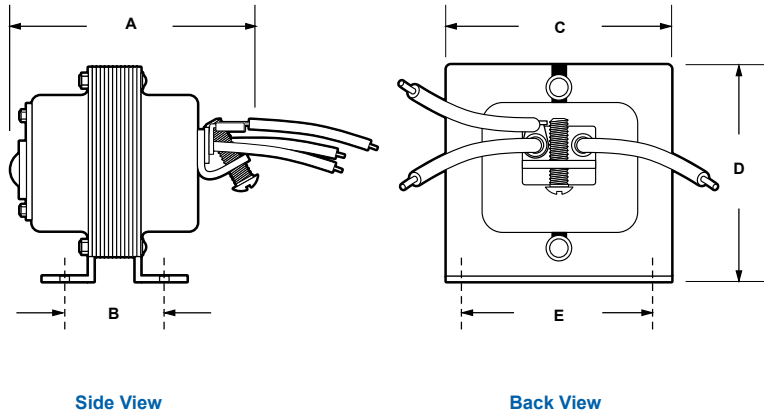
590 Series

Accessories

| Description | Cat. No. |
|----------------------------|----------|
| Transformer Mounting Plate | 593 |

Weights and Dimensions

| Cat. No. | Approx. Net Weight (lb.) | Approx. Shipping Weight (lb.) | Dimensions | | | | |
|----------|--------------------------|-------------------------------|------------|---------|---------|---------|---------|
| | | | A (in.) | B (in.) | C (in.) | D (in.) | E (in.) |
| 590 | 0.32 | 0.70 | 2 5/16 | 3 1/32 | 2 1/4 | 2 1/8 | 2 |
| 590Y | 0.32 | 0.70 | 2 5/16 | 3 1/32 | 2 1/4 | 2 1/8 | 2 |
| 591 | 0.44 | 0.80 | 2 5/16 | 3 1/32 | 2 1/4 | 2 1/8 | 2 |
| 592 | 0.44 | 1.00 | 2 1/2 | 1 1/8 | 2 1/4 | 2 1/8 | 2 |
| 592Y | 0.44 | 0.90 | 2 1/2 | 1 1/8 | 2 1/4 | 2 1/8 | 2 |
| 596 | 0.44 | 1.00 | 2 1/2 | 1 1/8 | 2 1/4 | 2 1/8 | 2 |
| 598 | 0.66 | 1.50 | 2 15/16 | 1 5/8 | 2 1/4 | 2 1/8 | 2 |
| 598Y | 1.00 | 1.40 | 2 15/16 | 1 5/8 | 2 1/4 | 2 1/8 | 2 |
| 599 | 0.95 | 1.60 | 2 15/16 | 1 5/8 | 2 1/4 | 2 1/8 | 2 |
| 599Y | 0.95 | 1.65 | 2 15/16 | 1 5/8 | 2 1/4 | 2 1/8 | 2 |



Transformers

AC - Class 2

590 Series

Edwards 590 Series Class 2 Signaling Transformers are easy to install, low voltage power sources for residential, commercial, and industrial uses.

Mounts in a standard 1/2" (13mm) knockout or surface mounts using the provided foot mounts. These transformers are suitable for mounting in both plastic and metal back boxes. May also be used with the 593 transformer plate for enclosed mounting in a standard two gang outlet box.

The 591 transformer is suitable for standard doorbells and chimes in residential and commercial applications requiring 16 volts AC.

The Edwards 598, 598Y, 599 and 599Y transformers offer high power for long wire runs or for applications requiring greater power such as door openers.

Features and Specifications

- Non-regenerative thermal overload protection
- Grounding wire
- Pre-stripped primary side pigtails
- Screw terminal connections on secondary



| Ordering Information | | Secondary | | |
|----------------------|----------|------------------------------|--------|----|
| Description | Cat. No. | Primary Voltage ¹ | Volts | VA |
| Class 2 Transformers | 590 | 120V AC | 10V AC | 5 |
| | 590Y | 240V AC | 10V AC | 5 |
| | 591 | 120V AC | 16V AC | 10 |
| | | | 8V AC | 10 |
| | 592 | 120V AC | 16V AC | 10 |
| | | | 24V AC | 20 |
| | | | 8V AC | 10 |
| | 592Y | 240V AC | 16V AC | 10 |
| | | | 24V AC | 20 |
| | | | 6V AC | 10 |
| | 596 | 120V AC | 12V AC | 15 |
| | | | 18V AC | 15 |
| | | | 8V AC | 20 |
| | 598 | 120V AC | 16V AC | 30 |
| | | | 24V AC | 30 |
| | | | 8V AC | 20 |
| 598Y | 240V AC | 16V AC | 30 | |
| | | 24V AC | 30 | |
| | | 24V AC | 40 | |
| 599 | 120V AC | 24V AC | 40 | |
| 599Y | 240V AC | 24V AC | 40 | |

¹AC voltage frequency is 50/60 Hz



Transformers

AC - Class 2

590 Series

Accessories

| Description | Cat. No. |
|----------------------------|----------|
| Transformer Mounting Plate | 593 |

Weights and Dimensions

| Cat. No. | Approx. Net Weight (lb.) | Approx. Shipping Weight (lb.) | Dimensions | | | | |
|----------|--------------------------|-------------------------------|------------|---------|---------|---------|---------|
| | | | A (in.) | B (in.) | C (in.) | D (in.) | E (in.) |
| 590 | 0.32 | 0.70 | 2 5/16 | 3 1/32 | 2 1/4 | 2 1/8 | 2 |
| 590Y | 0.32 | 0.70 | 2 5/16 | 3 1/32 | 2 1/4 | 2 1/8 | 2 |
| 591 | 0.44 | 0.80 | 2 5/16 | 3 1/32 | 2 1/4 | 2 1/8 | 2 |
| 592 | 0.44 | 1.00 | 2 1/2 | 1 1/8 | 2 1/4 | 2 1/8 | 2 |
| 592Y | 0.44 | 0.90 | 2 1/2 | 1 1/8 | 2 1/4 | 2 1/8 | 2 |
| 596 | 0.44 | 1.00 | 2 1/2 | 1 1/8 | 2 1/4 | 2 1/8 | 2 |
| 598 | 0.66 | 1.50 | 2 15/16 | 1 5/8 | 2 1/4 | 2 1/8 | 2 |
| 598Y | 1.00 | 1.40 | 2 15/16 | 1 5/8 | 2 1/4 | 2 1/8 | 2 |
| 599 | 0.95 | 1.60 | 2 15/16 | 1 5/8 | 2 1/4 | 2 1/8 | 2 |
| 599Y | 0.95 | 1.65 | 2 15/16 | 1 5/8 | 2 1/4 | 2 1/8 | 2 |

