



Item#: **55226** **LED FLAT HIGH BAY**

HIGH-BAY LUMINAIRES FOR COMMERCIAL
AND INDUSTRIAL BUILDINGS

FEATURES

- Provides smooth uniform light.
- Low-profile which meets limitless range of applications.
- Use 30% less energy than a linear fluorescent fixtures
- 24 gauge cold rolled steel
- All steel surfaces are painted after fabrication with high gloss baked white matte powder paint.

MOUNTING

- Designed for surface, pendant or stem mounted.

APPLICATION

Ideal for larger warehouses, retail applications, commercial buildings and work areas.

ELECTRICAL

Wattage	90W
Voltage	120-277V
Current	0.742A
Power Factor	0.9
Total Harmonic Distortion (THD)	10

LIGHTING PERFORMANCE

Lumens	11790
Lumens Per Watt (Lm/W)	131
Color Temperature (CCT)	5000K
Color Rendering (CRI)	80
R9 (Red Value)	17
R13 (Skin Tones)	86
Beam Angle	120°
Light Distribution	Type II, Very Short
Dimmable Lighting Control	<i>Dimmable</i> 0-10V, Range 10% - 100%

ENVIRONMENT

Operating Temperature	-4° ~ 122°F
Suitable Location	DAMP
Ingress Protection Rating	IP40

LIFESPAN

Average Life (Hours)	50,000
Warranty (Years)	5

COMPONENTS

LED Light Source	Seoul STWxA2PD-xx
Driver	VPL100-200

CONSTRUCTIONS

Housing	24 Gauge C.R.S.
Base / Power Supply	Hard Wired
Lens	Acrylic (PMMA)
Finish	White

CERTIFICATIONS



Published lumens on LED products are approximate and may vary slightly. - Please check DLC website for the most current list of approved items - www.designlights.org

PERFORMANCE DATA

PACKAGING

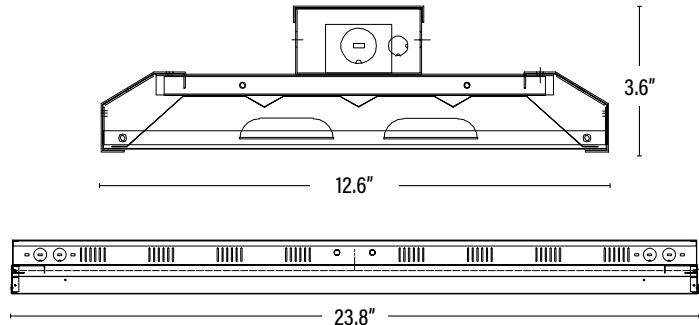
Item#: **55226**
LED FLAT HIGH BAY



DIMENSIONS (Inches)

Length	23.8"
Width/Diameter	12.6"
Height	3.6"
Chain	41.34" (2 ea.)

Line drawings may not be to scale and are for general reference only.



SUPPORTING DOCUMENTS (Grey = not available at this time.)

Product Sheet	VIEW
Install Instructions	VIEW
Photometric	VIEW
IES Download from Web Item	VIEW
LM79	VIEW
LM80	VIEW
L70	VIEW
L90	VIEW

PACKAGING

	UPC	DIMENSIONS (LxWxH)	GROSS WEIGHT (Lbs)
Master Carton	1	811768027273	--
Country of Origin	China		
HS Tariff	9405.40.8200		

ORDERING

ITEM#	DESCRIPTION	CASE
55226	LED FLAT 2' HIGH BAY 90W/5000K/FROSTED LENS/V-HOOKS & 41.3" CHAINS/DIMMABLE - SUPERIOR LIFE® DLC	1

ACCESSORIES/REPLACEMENT PARTS

55205	WIRE GUARD WITH CLIPS FOR LED FLAT 2' HIGH BAY 90W	1
55220	3.3" PENDANT MOUNT FOR STANDARD FLAT HIGH BAY (1/2" THREADED HOLE)	25
54899	HIGH BAY/LOW BAY PASSIVE INFRARED OCCUPANCY SENSOR	50
552038	REPLACEMENT LENS FOR LED FLAT 2' 4L HIGH BAY/FROSTED	1
55319	EMERGENCY PACK FOR LED FIXTURE 8W/90 MIN	1
55320	EMERGENCY PACK FOR LED FIXTURE 16W/90 MIN	1
55321	EMERGENCY PACK FOR LED FIXTURE 25W/90 MIN	1

PERFORMANCE DATA

PACKAGING



Item#: **55226**
LED FLAT HIGH BAY

HIGH-BAY LUMINAIRES FOR COMMERCIAL AND INDUSTRIAL BUILDINGS

FEATURES

- Provides smooth uniform light.
- Low-profile which meets limitless range of applications.
- Use 30% less energy than a linear fluorescent fixtures
- 24 gauge cold rolled steel
- All steel surfaces are painted after fabrication with high gloss baked white matte powder paint.

MOUNTING

- Designed for surface, pendant or stem mounted.

APPLICATION

Ideal for larger warehouses, retail applications, commercial buildings and work areas.

ELECTRICAL

Wattage	90W
Voltage	120-277V
Current	0.742A
Power Factor	0.9
Total Harmonic Distortion (THD)	10

LIGHTING PERFORMANCE

Lumens	11790
Lumens Per Watt (Lm/W)	131
Color Temperature (CCT)	5000K
Color Rendering (CRI)	80
R9 (Red Value)	17
R13 (Skin Tones)	86
Beam Angle	120°
Light Distribution	Type II, Very Short
Dimmable Lighting Control	<i>Dimmable</i> 0-10V, Range 10% - 100%

ENVIRONMENT

Operating Temperature	-4° ~ 122°F
Suitable Location	DAMP
Ingress Protection Rating	IP40

LIFESPAN

Average Life (Hours)	50,000
Warranty (Years)	5

COMPONENTS

LED Light Source	Seoul STWxA2PD-xx
Driver	VPL100-200

CONSTRUCTIONS

Housing	24 Gauge C.R.S.
Base / Power Supply	Hard Wired
Lens	Acrylic (PMMA)
Finish	White

CERTIFICATIONS



Published lumens on LED products are approximate and may vary slightly. - Please check DLC website for the most current list of approved items - www.designlights.org

PERFORMANCE DATA

PACKAGING

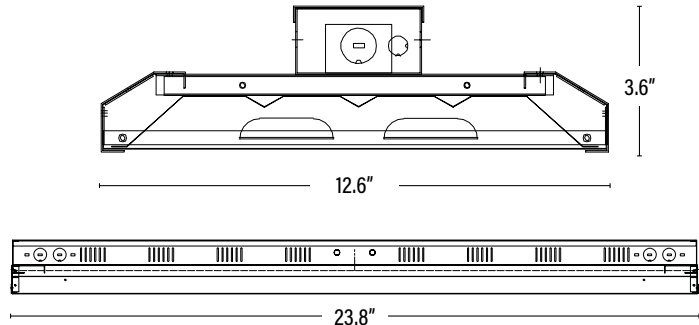
Item#: **55226**
LED FLAT HIGH BAY



DIMENSIONS (Inches)

Length	23.8"
Width/Diameter	12.6"
Height	3.6"
Chain	41.34" (2 ea.)

Line drawings may not be to scale and are for general reference only.



SUPPORTING DOCUMENTS (Grey = not available at this time.)

Product Sheet	VIEW
Install Instructions	VIEW
Photometric	VIEW
IES Download from Web Item	VIEW
LM79	VIEW
LM80	VIEW
L70	VIEW
L90	VIEW

PACKAGING

	UPC	DIMENSIONS (LxWxH)	GROSS WEIGHT (Lbs)
Master Carton	1	811768027273	--
Country of Origin	China		
HS Tariff	9405.40.8200		

ORDERING

ITEM#	DESCRIPTION	CASE
55226	LED FLAT 2' HIGH BAY 90W/5000K/FROSTED LENS/V-HOOKS & 41.3" CHAINS/DIMMABLE - SUPERIOR LIFE® DLC	1

ACCESSORIES/REPLACEMENT PARTS

55205	WIRE GUARD WITH CLIPS FOR LED FLAT 2' HIGH BAY 90W	1
55220	3.3" PENDANT MOUNT FOR STANDARD FLAT HIGH BAY (1/2" THREADED HOLE)	25
54899	HIGH BAY/LOW BAY PASSIVE INFRARED OCCUPANCY SENSOR	50
552038	REPLACEMENT LENS FOR LED FLAT 2' 4L HIGH BAY/FROSTED	1
55319	EMERGENCY PACK FOR LED FIXTURE 8W/90 MIN	1
55320	EMERGENCY PACK FOR LED FIXTURE 16W/90 MIN	1
55321	EMERGENCY PACK FOR LED FIXTURE 25W/90 MIN	1

PERFORMANCE DATA

PACKAGING