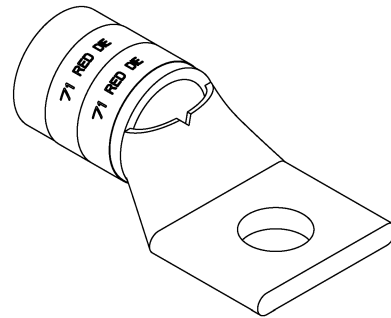
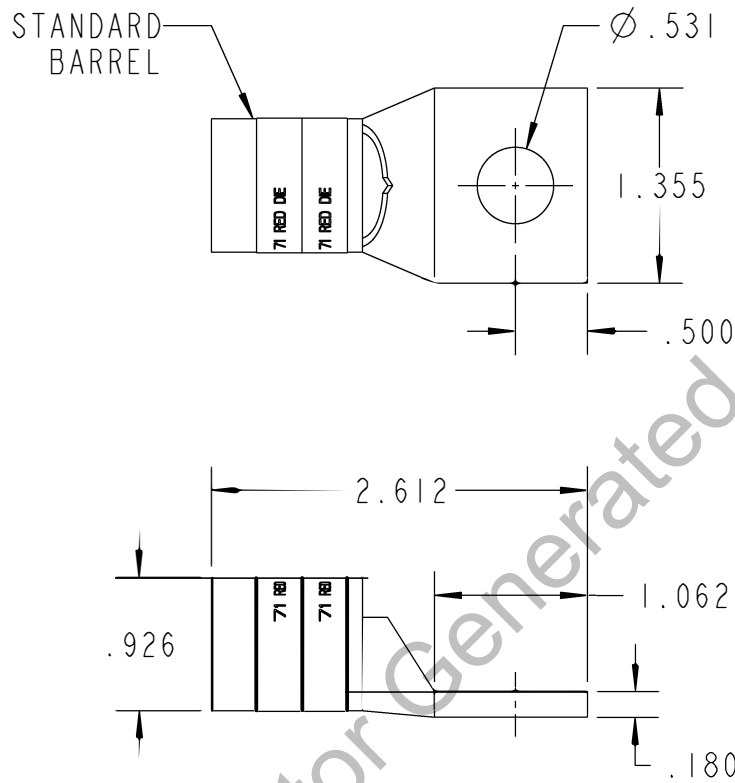


# Color-Keyed<sup>®</sup>

CATALOG NO. 54115



WIRE SIZE: 300 WELD, 350 MCM  
 MATERIAL: HIGH CONDUCTIVITY COPPER  
 FINISH: TIN PLATED

<b>GENERAL NOTES</b>		<b>Thomas &amp; Betts</b> <small>www.tnb.com</small>			
1. ALL DIMENSIONS ARE FOR REFERENCE ONLY. 2. DIMENSIONS IN BRACKETS [ ] ARE IN METRIC UNITS.					
<b>REVISIONS</b>		<b>DESCRIPTION: 1 HOLE LUG</b>			
** SEE ERN ( **** ) FOR APPROVAL SIGNATURES & RELEASE DATE. PROJECT NO: ****		ORIGINAL PROJECT NO / ( ERN NO )	SHEET NO:	REV. NO:	DRAWING NO: WSD-002345
		/ ( )	1 OF 1	B	<b>54115</b>