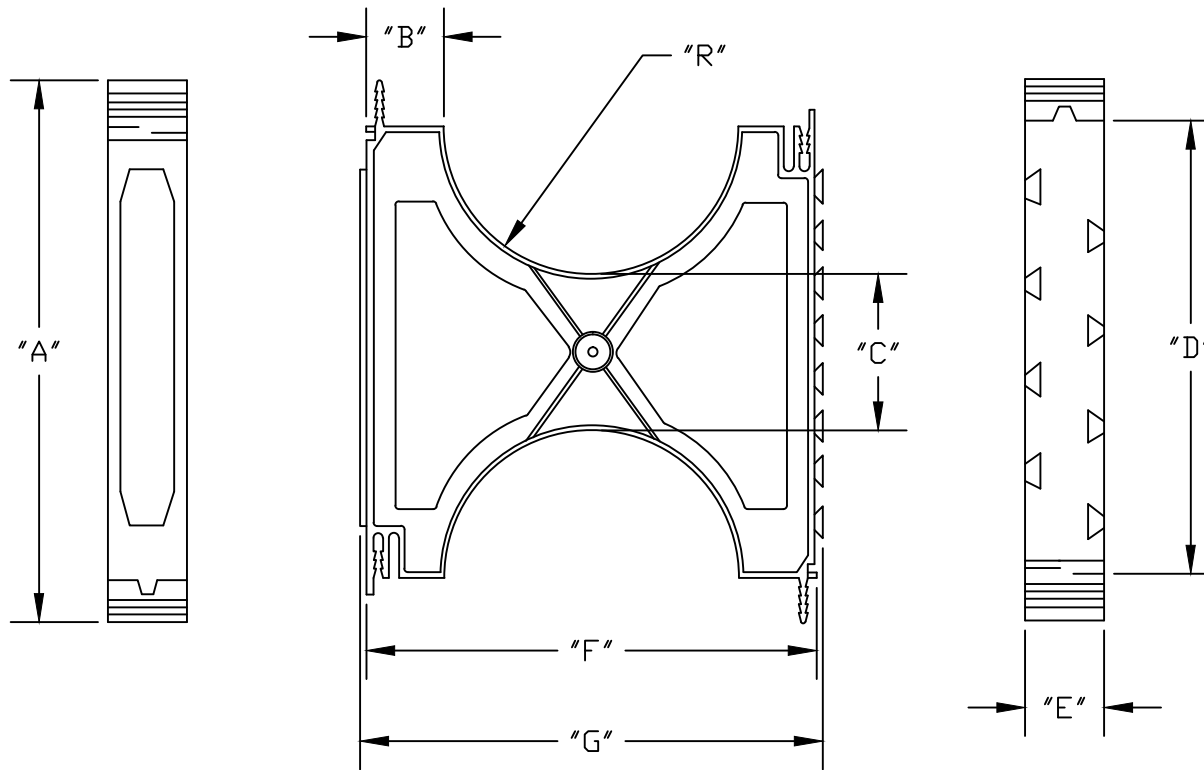


| PART NUMBER | SIZE | "A" | "B" | "C" | "D" | "E" | "F" | "G" | "R" |
|-------------|-------------|----------|--------|--------|--------|-----|--------|--------|--------|
| 5336016 | 3" X 1 1/2" | 6 5/16" | 3/4" | 1 3/8" | 5" | 1" | 5 1/8" | 5 3/8" | 1 1/4" |
| 5336020 | 3" X 2" | 6 13/16" | 1" | 1 7/8" | 5 1/2" | 1" | 5 5/8" | 5 7/8" | 1 1/4" |
| 5336031 | 3" X 3" | 7 13/16" | 1 1/2" | 2 7/8" | 6 1/2" | 1" | 6 5/8" | 6 7/8" | 1 1/4" |

Material is Polystyrene
Recommended spacing is 5 to 8 feet



| | | |
|--|----------------|------|
| CANTEX INC. Fort Worth, TEXAS | | |
| 3" Intermediate Spacer Plastic Spacers for Duct | | |
| Drawn By: CD Branch | Date: 03/05/08 | Ref. |