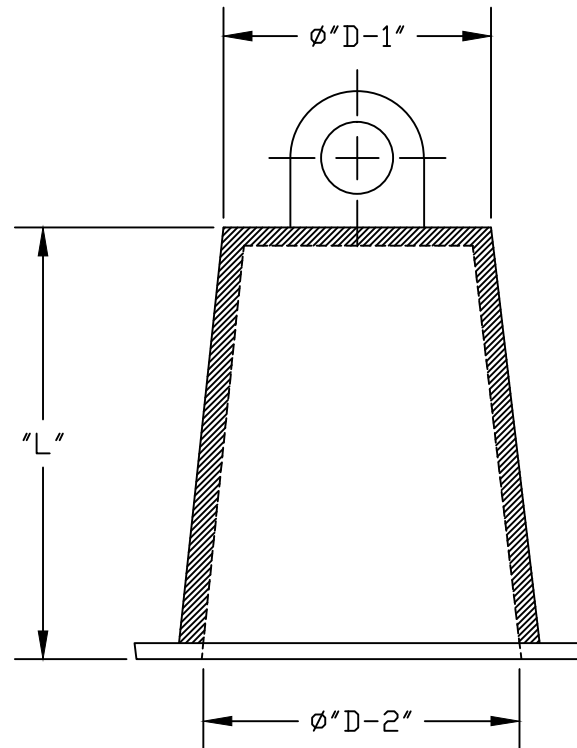
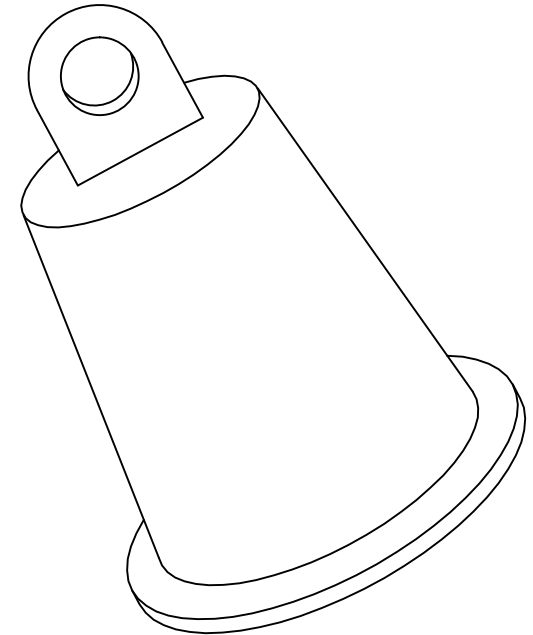


PART NUMBER	SIZE	"L"	"D-1"	"D-2"
5315258	2"	3"	2"	2 ½"
5135259	2 ½"	3"	2 ⅛"	2 ¾"
5315260	3"	3 ¾"	2 ⅞"	3 ½"
5315262	4"	3 ⅞"	3 ¾"	4 ½"
5315263	5"	3 ¾"	4 ⅞"	5 ⅝"
5315264	6"	3 ⅞"	5 ⅝"	6 ⅞"



MATERIAL - POLYURETHANE
 All dimensions are nominal and in inches

TOLERANCES
± 1/16

CANTEX INC. Fort Worth, TEXAS		
Poly Plugs w/Pulling Eye Schedule 40 & 80 Special Fittings		
Drawn By: CD Branch	Date:03/05/08	Ref.