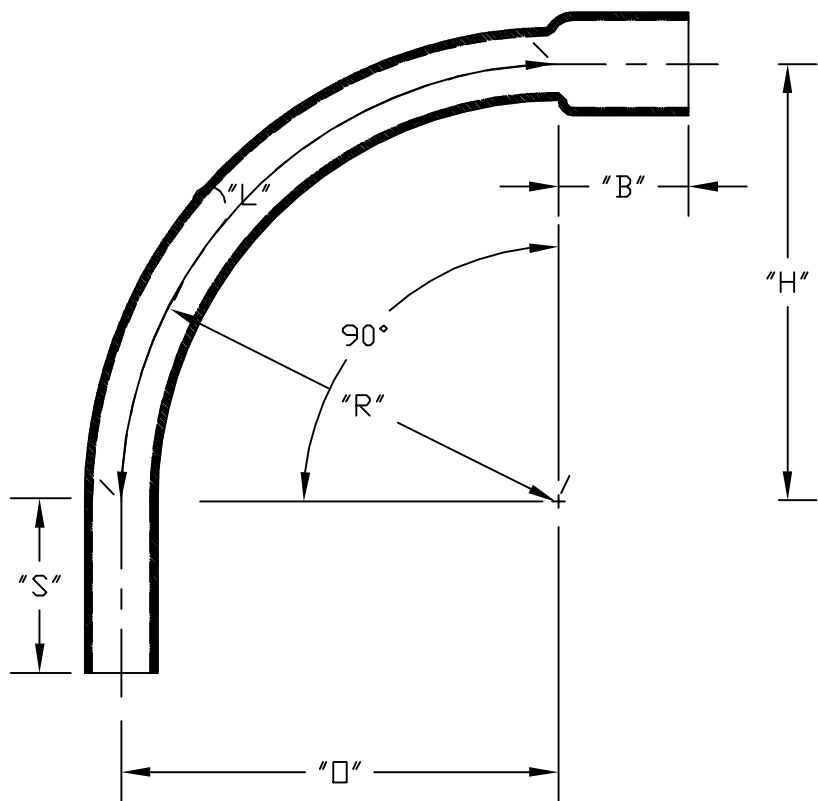


PART NUMBER	SIZE	"R"	"□"	"H"	"S" MIN	"B" MIN	"L"
XXXXXXX	½"	48"	48"	48"	1 ½"	1¼"	75 ⅜"
XXXXXXX	¾"	48"	48"	48"	1 ½"	¾"	75 ⅜"
5236338	1"	48"	48"	48"	1 ⅞"	⅞"	75 ⅜"
5234053	1 ¼"	48"	48"	48"	2"	1"	75 ⅜"
5233865	1 ½"	48"	48"	48"	2"	1 ⅛"	75 ⅜"
5233876	2"	48"	48"	48"	2"	1 ¼"	75 ⅜"
5233849	2 ½"	48"	48"	48"	3"	1 ½"	75 ⅜"
5233817	3"	48"	48"	48"	3 ⅛"	1 ⅝"	75 ⅜"
5233892	3 ½"	48"	48"	48"	3 ¼"	1 1¼"	75 ⅜"
5233843	4"	48"	48"	48"	3 ⅜"	1 ¾"	75 ⅜"
5233868	5"	48"	48"	48"	3 ⅝"	2"	75 ⅜"
5233816	6"	48"	48"	48"	3 ¾"	2 ⅛"	75 ⅜"
XXXXXXX	8"	48"	48"	48"	6 ⅝"	4 ⅞"	75 ⅜"



UL Listed UL651
 UL File # E34052
 UL Category Code DZYR
 UL Control Number 41UM
 Meets NEMA TC3
 See NEC Article 352 for use
 Material is Rigid PVC
 Bend Tolerance is ±2°



CANTEX INC. Fort Worth, TEXAS		
90° Elbows Bell End Schedule 40 48" Radius Elbows		
Drawn By: CD Branch	Date: 10/15/07	Ref.