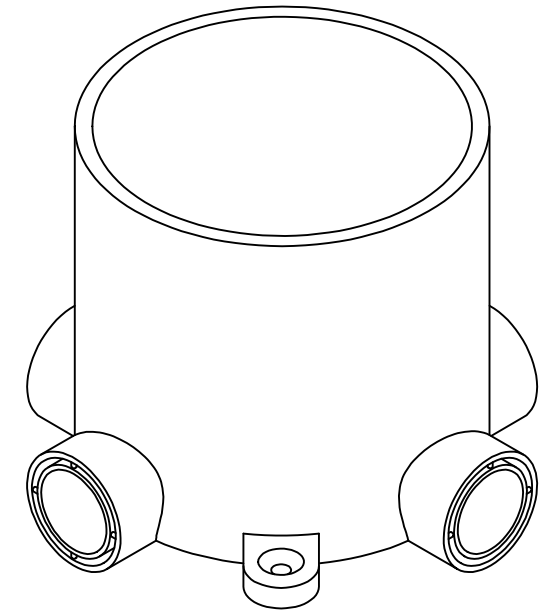
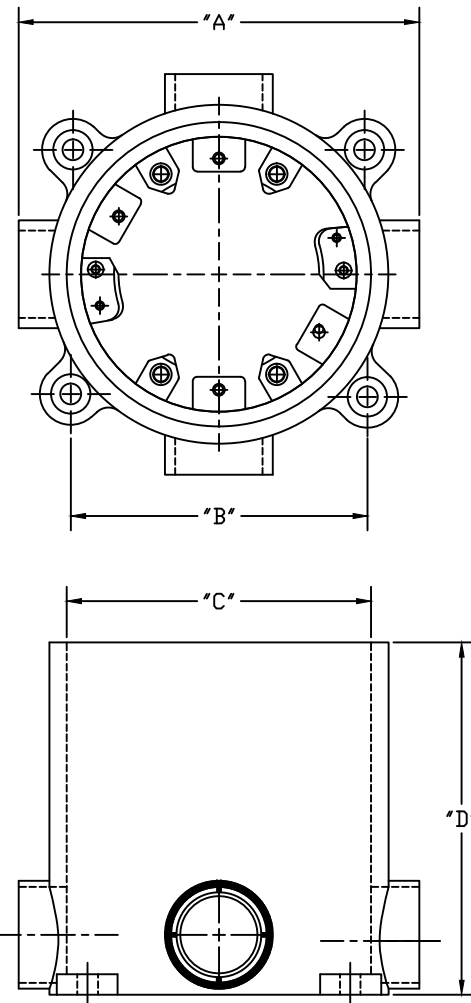


PART NUMBER	SIZE	"A"	"B"	"C"	"D"
5133760	Floor Box Base 4-3/4" Hubs, 4-3/4" to 1/2" Reducers, Level Ring & Pour Cover, UL Listed	6 7/16"	3 9/16"	4 9/16"	6"
5133758	Floor Box Base 2-3/4" Hubs, 2-1" Hubs, 2-3/4" to 1/2" Reducers, 2-1" to 3/4" Reducers, Level Ring & Pour Cover. UL Listed	6 7/16"	3 9/16"	4 9/16"	6"
5133678	Duplex Cover-BRONZE	-	-	-	-



15.0 CU.IN.PER IN. OF DEPTH
90 CU.IN. MAX. VOL.
MINIMUM CONCRETE DEPTH 3"

UL Listed
UL File # E98429
UL Category Code QCMZ7
UL Control Number 39N9
Box Material is Rigid PVC
Bronze cover is polycarbonate
See NEC Article 314 for use



CANTEX
INC.
Fort Worth, TEXAS

Floor Box and Levelling Ring

Drawn By: O.M.

Date: 6/16/17

Ref. 5133760