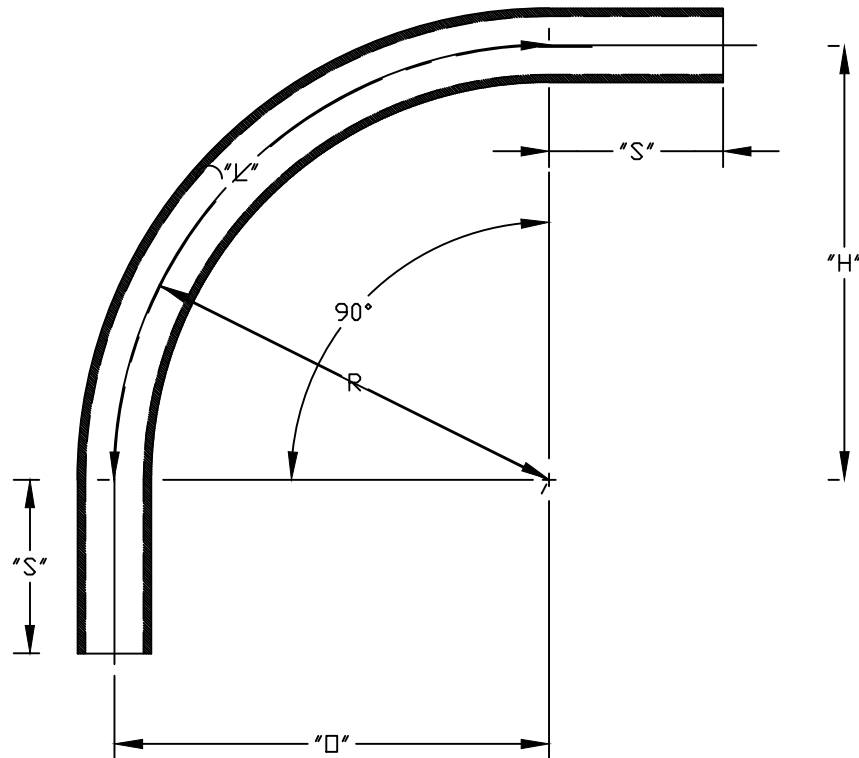


| PART NUMBER | SIZE | "R" | "□" | "H" | "S" MIN | "B" MIN | "L" |
|-------------|------|-------|-------|-------|---------|---------|-------|
| 5121053 | ½" | 4" | 4" | 4" | 1 ½" | N/A | 6 ¼" |
| 5121054 | ¾" | 4 ½" | 4 ½" | 4 ½" | 1 ½" | N/A | 7 ⅛" |
| 5121055 | 1" | 5 ¾" | 5 ¾" | 5 ¾" | 1 ⅞" | N/A | 9" |
| 5121056 | 1 ¼" | 7 ¼" | 7 ¼" | 7 ¼" | 2" | N/A | 11 ⅜" |
| 5121057 | 1 ½" | 8 ¼" | 8 ¼" | 8 ¼" | 2" | N/A | 13" |
| 5121058 | 2" | 9 ½" | 9 ½" | 9 ½" | 2" | N/A | 15" |
| 5121059 | 2 ½" | 10 ½" | 10 ½" | 10 ½" | 3" | N/A | 16 ½" |
| 5121060 | 3" | 13" | 13" | 13" | 3 ⅛" | N/A | 20 ⅜" |
| 5121068 | 3 ½" | 15" | 15" | 15" | 3 ¼" | N/A | 23 ½" |
| 5121061 | 4" | 16" | 16" | 16" | 3 ⅜" | N/A | 25 ⅛" |
| 5121062 | 5" | 24" | 24" | 24" | 3 ⅝" | N/A | 37 ⅝" |
| 5121063 | 6" | 30" | 30" | 30" | 3 ¾" | N/A | 47 ⅛" |

All dimensions are nominal



ETL LISTED
 CONFORMS TO UL651
 ETL CONTROL #3107144
 CONFORMS TO NEMA TC3
 SEE NEC ARTICLE 352 FOR USE
 MATERIAL IS RIGID PVC
 BEND TOLERANCE IS ±2°



CANTEX
 INC.
 Fort Worth, TEXAS

90° Elbows Plain End
 Schedule 80 Standard Radius Elbows

Drawn By: O.M.

Date: 7/17/17

Ref. 5121053