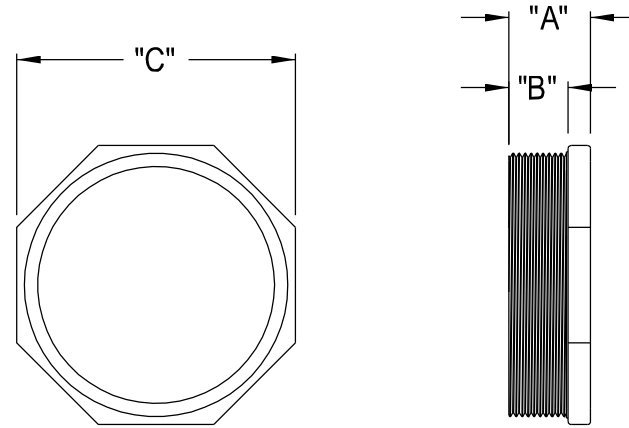


501 - 51

| | | | | | |
|----------|------------|-------|-------|-------|-------|
| 510 | 4 | 1.358 | .995 | 5.420 | 4.810 |
| 509 | 3 1/2 | 1.378 | 1.008 | 4.932 | 4.370 |
| 508 | 3 | 1.378 | 1.008 | 4.390 | 3.906 |
| 507 | 2 1/2 | 1.125 | .836 | 3.555 | 3.188 |
| 506 | 2 | .845 | .638 | 2.945 | 2.605 |
| 505 | 1 1/2 | .835 | .630 | 2.380 | 2.110 |
| 504 | 1 1/4 | .828 | .615 | 2.093 | 1.875 |
| 503 | 1 | .654 | .518 | 1.616 | 1.406 |
| 502 | 3/4 | .565 | .428 | 1.310 | 1.148 |
| 501 | 1/2 | .593 | .465 | 1.050 | .930 |
| PART No. | TRADE SIZE | "A" | "B" | "C" | "D" |



| | | | | |
|----------|------------|-------|-------|-------|
| 512 | 6 | 2.028 | 1.500 | 7.000 |
| 511 | 5 | 1.700 | 1.215 | 5.812 |
| PART No. | TRADE SIZE | "A" | "B" | "C" |