

Metalux AP Series

DESCRIPTION

The SLSTP is a low profile, high quality luminaire offering the latest solid state lighting and electronic driver technology that optimizes performance and energy efficiency. With the SLSTP's low profile design, this series is an ideal solution for restricted spaces and meets traditional requirements for single or continuous row applications.

The SLSTP is an excellent solution for commercial, industrial, retail or residential applications. Ideal for new construction or simple fluorescent retrofit replacement.

| | | |
|--------------------|--|-------------|
| Catalog # | | Type |
| Project | | |
| Comments | | Date |
| Prepared by | | |

SPECIFICATION FEATURES

Construction

Fixture channel, cover and end plates are formed from cold rolled steel and offers all of the features that customers need for installation. The SLSTP is post painted for ease of handling. Decorative end caps snap-on for an improved aesthetic finish. The SLSTP is suitable for either single or continuous row applications.

Controls

UNV options are 0-10V continuous dimming and work with any standard 0-10V control/dimmer. Dimming range is 10% to 100% and varies by control device. Combine with energy saving products like occupancy sensors, daylighting controls, and lighting relay panels to maximize energy savings. 120V options work with standard 120V phase cut dimmers. See dimming compatibility chart.

Electrical

Long-Life LED system with an energy-efficient electronic driver comes in UNV (120-277V) or 120V versions. Both drivers offer smooth dimming with a number of residential and commercial dimmers. See dimmer compatibility. LED's CCT are 4000K with a CRI ≥ 80. Projected life is 50,000 hours at 70% lumen output.

Finish

Post painted with high reflective paint – standard.

Shielding

SLSTP offers a frost lens with decorative end caps for single and end of the row applications.

Installation

Fixture may be surface, pendant, stem or wall mounted. See accessories below for ordering information.

Compliance

cULus listed for damp location. Indoor luminaires are CSA listed for 40°C ambient environments. LED's comply with IESNA LM-79 and LM-80 standards. DesignLights Consortium® Qualified and classified for DLC Standard, refer to www.designlights.org for details. RoHS compliant.

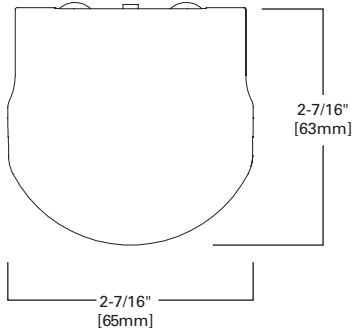
Warranty

Five-year warranty.

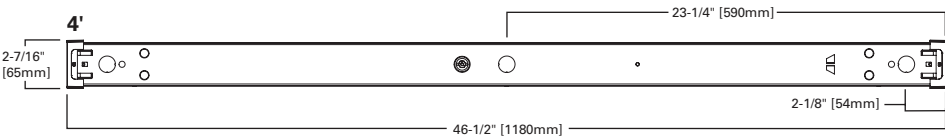
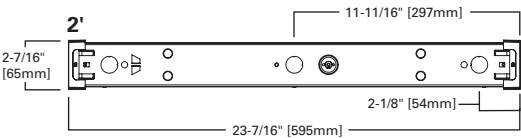


SLSTP LENSED LED

Lensed LED Striplight



MOUNTING DATA



LOAD DATA

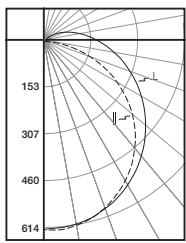
| | 2' | 4' |
|----------------|------|------|
| PF | 0.99 | 0.99 |
| THD% | 13.6 | 12.9 |
| Weight | 2.8 | 4.6 |
| Low Temp Start | -20C | -20C |

LINEAR DISCONNECT

Safe and convenient means of disconnecting power



PHOTOMETRICS

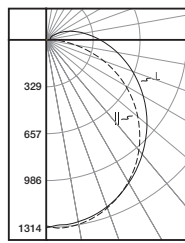


4SLSTP2040DD-UNV

Electronic Driver
Linear LED 4000K
Spacing criterion:
(II) 1.26 x mounting
height, (L) 1.31 x
mounting height
Lumens: 2310
Input Watts: 23.3W
Efficacy: 99.2 lm/W
Test Report:
4SLSTP2040DD-
UNV.IES

Candlepower

| Angle | Along II | 45° | Across ⊥ |
|-------|----------|-----|----------|
| 0 | 613 | 613 | 613 |
| 5 | 617 | 607 | 610 |
| 10 | 608 | 600 | 604 |
| 15 | 595 | 589 | 594 |
| 20 | 575 | 571 | 578 |
| 25 | 550 | 551 | 560 |
| 30 | 522 | 526 | 538 |
| 35 | 490 | 498 | 514 |
| 40 | 452 | 467 | 486 |
| 45 | 413 | 433 | 457 |
| 50 | 369 | 396 | 426 |
| 55 | 321 | 359 | 394 |
| 60 | 271 | 320 | 361 |
| 65 | 220 | 281 | 329 |
| 70 | 166 | 242 | 295 |
| 75 | 112 | 206 | 264 |
| 80 | 62 | 172 | 232 |
| 85 | 20 | 140 | 203 |
| 90 | 0 | 113 | 175 |



4SLSTP4040DD-UNV

Electronic Driver
Linear LED 4000K
Spacing criterion:
(II) 1.27 x mounting
height, (L) 1.29 x
mounting height
Lumens: 4760
Input Watts: 43.5W
Efficacy: 109.4 lm/W
Test Report:
4SLSTP4040DD-
UNV.IES

Candlepower

| Angle | Along II | 45° | Across ⊥ |
|-------|----------|------|----------|
| 0 | 1307 | 1307 | 1307 |
| 5 | 1316 | 1304 | 1297 |
| 10 | 1300 | 1289 | 1282 |
| 15 | 1271 | 1264 | 1258 |
| 20 | 1229 | 1229 | 1224 |
| 25 | 1178 | 1183 | 1179 |
| 30 | 1117 | 1128 | 1128 |
| 35 | 1048 | 1062 | 1072 |
| 40 | 969 | 991 | 1011 |
| 45 | 880 | 913 | 947 |
| 50 | 789 | 833 | 882 |
| 55 | 689 | 748 | 812 |
| 60 | 586 | 666 | 741 |
| 65 | 475 | 581 | 670 |
| 70 | 358 | 497 | 600 |
| 75 | 240 | 417 | 530 |
| 80 | 128 | 344 | 464 |
| 85 | 41 | 280 | 401 |
| 90 | 1 | 222 | 343 |

Coefficients of Utilization

| rc rw RCR | Effective floor cavity reflectance | | | | | | | | | | | | | | | | | | | | | | | |
|-----------------|------------------------------------|-----|-----|-----|-----|-----|-----|-----|-----|-----|-----|----|-----|----|----|----|-----|----|----|----|----|----|----|---|
| | 80% | | | | 70% | | | | 50% | | | | 30% | | | | 10% | | | | 0% | | | |
| | 70 | 50 | 30 | 10 | 70 | 50 | 30 | 10 | 50 | 30 | 10 | 50 | 30 | 10 | 50 | 30 | 10 | 50 | 30 | 10 | 50 | 30 | 10 | 0 |
| 0 | 117 | 117 | 117 | 117 | 113 | 113 | 113 | 113 | 105 | 105 | 105 | 99 | 99 | 99 | 93 | 93 | 93 | 90 | 90 | 90 | 90 | 90 | 90 | 0 |
| 1 | 104 | 98 | 93 | 89 | 100 | 95 | 91 | 86 | 89 | 85 | 82 | 83 | 80 | 77 | 78 | 76 | 73 | 70 | 70 | 70 | 70 | 70 | 70 | 0 |
| 2 | 94 | 85 | 77 | 71 | 90 | 82 | 75 | 69 | 77 | 71 | 66 | 72 | 67 | 63 | 67 | 63 | 60 | 57 | 57 | 57 | 57 | 57 | 57 | 0 |
| 3 | 85 | 74 | 65 | 58 | 82 | 71 | 63 | 57 | 67 | 60 | 54 | 63 | 57 | 52 | 59 | 54 | 50 | 47 | 47 | 47 | 47 | 47 | 47 | 0 |
| 4 | 78 | 65 | 56 | 48 | 74 | 63 | 54 | 47 | 59 | 52 | 46 | 55 | 49 | 44 | 52 | 47 | 42 | 40 | 40 | 40 | 40 | 40 | 40 | 0 |
| 5 | 71 | 58 | 48 | 41 | 68 | 56 | 47 | 41 | 53 | 45 | 39 | 50 | 43 | 38 | 47 | 41 | 36 | 34 | 34 | 34 | 34 | 34 | 34 | 0 |
| 6 | 66 | 52 | 42 | 36 | 63 | 50 | 42 | 35 | 47 | 40 | 34 | 45 | 38 | 33 | 42 | 36 | 32 | 30 | 30 | 30 | 30 | 30 | 30 | 0 |
| 7 | 61 | 47 | 38 | 31 | 58 | 45 | 37 | 31 | 43 | 35 | 30 | 41 | 34 | 29 | 38 | 33 | 28 | 26 | 26 | 26 | 26 | 26 | 26 | 0 |
| 8 | 56 | 43 | 34 | 28 | 54 | 41 | 33 | 27 | 39 | 32 | 27 | 37 | 31 | 26 | 35 | 29 | 25 | 23 | 23 | 23 | 23 | 23 | 23 | 0 |
| 9 | 53 | 39 | 31 | 25 | 51 | 38 | 30 | 25 | 36 | 29 | 24 | 34 | 28 | 23 | 33 | 27 | 23 | 21 | 21 | 21 | 21 | 21 | 21 | 0 |
| 10 | 49 | 36 | 28 | 22 | 48 | 35 | 27 | 22 | 33 | 26 | 22 | 32 | 25 | 21 | 30 | 25 | 20 | 19 | 19 | 19 | 19 | 19 | 19 | 0 |

Coefficients of Utilization

| rc rw RCR | Effective floor cavity reflectance | | | | | | | | | | | | | | | | | | | | | | | |
|-----------------|------------------------------------|-----|-----|-----|-----|-----|-----|-----|-----|-----|-----|-----|-----|-----|----|----|-----|----|----|----|----|----|----|---|
| | 80% | | | | 70% | | | | 50% | | | | 30% | | | | 10% | | | | 0% | | | |
| | 70 | 50 | 30 | 10 | 70 | 50 | 30 | 10 | 50 | 30 | 10 | 50 | 30 | 10 | 50 | 30 | 10 | 50 | 30 | 10 | 50 | 30 | 10 | 0 |
| 0 | 117 | 117 | 117 | 117 | 113 | 113 | 113 | 113 | 106 | 106 | 106 | 100 | 100 | 100 | 94 | 94 | 94 | 91 | 91 | 91 | 91 | 91 | 91 | 0 |
| 1 | 105 | 99 | 94 | 89 | 101 | 96 | 91 | 87 | 90 | 86 | 83 | 84 | 81 | 78 | 79 | 77 | 74 | 72 | 72 | 72 | 72 | 72 | 72 | 0 |
| 2 | 94 | 85 | 78 | 71 | 91 | 82 | 75 | 70 | 77 | 72 | 67 | 73 | 68 | 64 | 68 | 64 | 61 | 58 | 58 | 58 | 58 | 58 | 58 | 0 |
| 3 | 86 | 74 | 65 | 58 | 82 | 72 | 64 | 57 | 67 | 61 | 55 | 63 | 58 | 53 | 60 | 55 | 51 | 48 | 48 | 48 | 48 | 48 | 48 | 0 |
| 4 | 78 | 65 | 56 | 49 | 75 | 63 | 55 | 48 | 60 | 52 | 46 | 56 | 50 | 45 | 53 | 48 | 43 | 41 | 41 | 41 | 41 | 41 | 41 | 0 |
| 5 | 72 | 58 | 49 | 42 | 69 | 56 | 48 | 41 | 53 | 46 | 40 | 50 | 44 | 39 | 47 | 42 | 37 | 35 | 35 | 35 | 35 | 35 | 35 | 0 |
| 6 | 66 | 52 | 43 | 36 | 63 | 51 | 42 | 36 | 48 | 40 | 35 | 45 | 39 | 34 | 43 | 37 | 33 | 30 | 30 | 30 | 30 | 30 | 30 | 0 |
| 7 | 61 | 47 | 38 | 32 | 59 | 46 | 37 | 31 | 43 | 36 | 30 | 41 | 35 | 30 | 39 | 33 | 29 | 27 | 27 | 27 | 27 | 27 | 27 | 0 |
| 8 | 57 | 43 | 34 | 28 | 55 | 42 | 34 | 28 | 40 | 32 | 27 | 38 | 31 | 26 | 36 | 30 | 26 | 24 | 24 | 24 | 24 | 24 | 24 | 0 |
| 9 | 53 | 39 | 31 | 25 | 51 | 38 | 30 | 25 | 37 | 29 | 24 | 35 | 28 | 24 | 33 | 27 | 23 | 21 | 21 | 21 | 21 | 21 | 21 | 0 |
| 10 | 50 | 36 | 28 | 23 | 48 | 35 | 28 | 23 | 34 | 27 | 22 | 32 | 26 | 22 | 31 | 25 | 21 | 19 | 19 | 19 | 19 | 19 | 19 | 0 |

Zonal Lumen Summary

| Zone | Lumens | % Fixture |
|-------|--------|-----------|
| 0-30 | 481 | 20.8 |
| 0-40 | 794 | 34.4 |
| 0-60 | 1450 | 62.8 |
| 0-90 | 2076 | 89.9 |
| 0-180 | 2310 | 100.0 |

Luminance Data

| Angle in Deg | Average 0-Deg cd/sm | Average 45-Deg cd/sm | Average 90-Deg cd/sm |
|--------------|---------------------|----------------------|----------------------|
| 45 | 8700 | 6940 | 6665 |
| 55 | 8336 | 6435 | 6259 |
| 65 | 7754 | 5916 | 5937 |
| 75 | 6446 | 5456 | 5715 |
| 85 | 3418 | 5210 | 5706 |

Zonal Lumen Summary

| Zone | Lumens | % Fixture |
|-------|--------|-----------|
| 0-30 | 1021 | 21.5 |
| 0-40 | 1682 | 35.3 |
| 0-60 | 3053 | 64.1 |
| 0-90 | 4328 | 90.9 |
| 0-180 | 4760 | 100.0 |

Luminance Data

| Angle in Deg | Average 0-Deg cd/sm | Average 45-Deg cd/sm | Average 90-Deg cd/sm |
|--------------|---------------------|----------------------|----------------------|
| 45 | 20094 | 12212 | 10812 |
| 55 | 19395 | 10476 | 9413 |
| 65 | 18147 | 8821 | 8140 |
| 75 | 14972 | 7149 | 6987 |
| 85 | 7595 | 5711 | 5976 |

ACCESSORIES

(Order Separately)

- AYC-CHAIN/SET=36" Hanging Chain Set w/v Hooks
- TOGGLE-10=10' Suspension Aircraft Cable Kit (specify if another length needed)
- SCF-12-B=12" Fixed Stem Set (specify if another length needed)
- 2SLSTPLNS=2 ft. Replacement Lens
- 4SLSTPLNS=4 ft. Replacement Lens

| Catalog # | Unit UPC | Master Pack (2 Units) | CCT (K) | CRI (Min) | Delivered Lumens | Watts | Efficacy (LPW) | Controls | Input Current (A) | |
|-------------------|--------------|-----------------------|---------|-----------|------------------|-------|----------------|--------------------------|-------------------|------|
| | | | | | | | | | 120V | 277V |
| 2SLSTP1040DD-120V | 080083705771 | 080083713363 | 4000 | 80 | 1250 | 11 | 113 | Phase Cut Dimming to 10% | 0.09 | |
| 2SLSTP2040DD-120V | 080083705788 | 080083713370 | 4000 | 80 | 2150 | 23 | 111 | Phase Cut Dimming to 10% | 0.19 | |
| 4SLSTP2040DD-120V | 080083705795 | 080083713387 | 4000 | 80 | 2579 | 23 | 114 | Phase Cut Dimming to 10% | 0.19 | |
| 4SLSTP4040DD-120V | 080083705801 | 080083713394 | 4000 | 80 | 4474 | 40 | 112 | Phase Cut Dimming to 10% | 0.33 | |
| 4SLSTP2040DD-UNV | 080083705818 | 080083713400 | 4000 | 80 | 2410 | 21 | 113 | 0-10V Dimming to 10% | 0.18 | 0.08 |
| 4SLSTP4040DD-UNV | 080083705825 | 080083713417 | 4000 | 80 | 4760 | 44 | 109 | 0-10V Dimming to 10% | 0.36 | 0.15 |

SHIPPING DATA

| Catalog Base | Wt. | Units per Pallet |
|--------------|----------|------------------|
| 2SLSTP | 2.8 lbs. | 144 |
| 4SLSTP | 4.6 lbs. | 72 |

Metalux AP Series

DESCRIPTION

The SLSTP is a low profile, high quality luminaire offering the latest solid state lighting and electronic driver technology that optimizes performance and energy efficiency. With the SLSTP's low profile design, this series is an ideal solution for restricted spaces and meets traditional requirements for single or continuous row applications.

The SLSTP is an excellent solution for commercial, industrial, retail or residential applications. Ideal for new construction or simple fluorescent retrofit replacement.

| | | |
|--------------------|--|-------------|
| Catalog # | | Type |
| Project | | |
| Comments | | Date |
| Prepared by | | |

SPECIFICATION FEATURES

Construction

Fixture channel, cover and end plates are formed from cold rolled steel and offers all of the features that customers need for installation. The SLSTP is post painted for ease of handling. Decorative end caps snap-on for an improved aesthetic finish. The SLSTP is suitable for either single or continuous row applications.

Controls

UNV options are 0-10V continuous dimming and work with any standard 0-10V control/dimmer. Dimming range is 10% to 100% and varies by control device. Combine with energy saving products like occupancy sensors, daylighting controls, and lighting relay panels to maximize energy savings. 120V options work with standard 120V phase cut dimmers. See dimming compatibility chart.

Electrical

Long-Life LED system with an energy-efficient electronic driver comes in UNV (120-277V) or 120V versions. Both drivers offer smooth dimming with a number of residential and commercial dimmers. See dimmer compatibility. LED's CCT are 4000K with a CRI ≥ 80. Projected life is 50,000 hours at 70% lumen output.

Finish

Post painted with high reflective paint – standard.

Shielding

SLSTP offers a frost lens with decorative end caps for single and end of the row applications.

Installation

Fixture may be surface, pendant, stem or wall mounted. See accessories below for ordering information.

Compliance

cULus listed for damp location. Indoor luminaires are CSA listed for 40°C ambient environments. LED's comply with IESNA LM-79 and LM-80 standards. DesignLights Consortium® Qualified and classified for DLC Standard, refer to www.designlights.org for details. RoHS compliant.

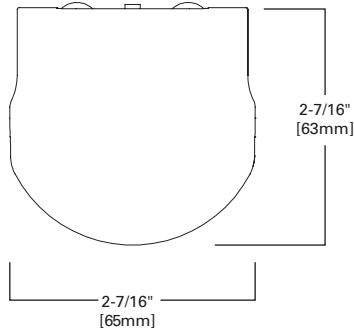
Warranty

Five-year warranty.

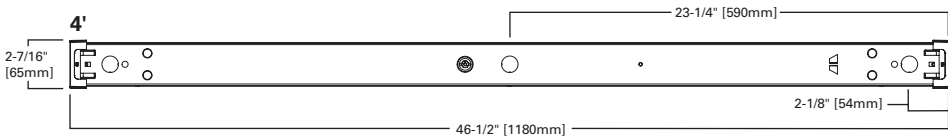
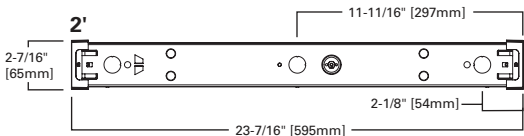


SLSTP LENSED LED

Lensed LED Striplight



MOUNTING DATA



LOAD DATA

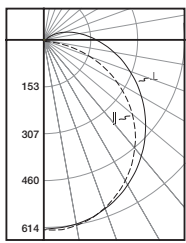
| | 2' | 4' |
|----------------|------|------|
| PF | 0.99 | 0.99 |
| THD% | 13.6 | 12.9 |
| Weight | 2.8 | 4.6 |
| Low Temp Start | -20C | -20C |

LINEAR DISCONNECT

Safe and convenient means of disconnecting power



PHOTOMETRICS

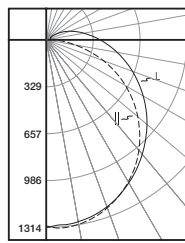


4SLSTP2040DD-UNV

Electronic Driver
Linear LED 4000K
Spacing criterion:
(II) 1.26 x mounting
height, (L) 1.31 x
mounting height
Lumens: 2310
Input Watts: 23.3W
Efficacy: 99.2 lm/W
Test Report:
4SLSTP2040DD-
UNV.IES

Candlepower

| Angle | Along II | 45° | Across ⊥ |
|-------|----------|-----|----------|
| 0 | 613 | 613 | 613 |
| 5 | 617 | 607 | 610 |
| 10 | 608 | 600 | 604 |
| 15 | 595 | 589 | 594 |
| 20 | 575 | 571 | 578 |
| 25 | 550 | 551 | 560 |
| 30 | 522 | 526 | 538 |
| 35 | 490 | 498 | 514 |
| 40 | 452 | 467 | 486 |
| 45 | 413 | 433 | 457 |
| 50 | 369 | 396 | 426 |
| 55 | 321 | 359 | 394 |
| 60 | 271 | 320 | 361 |
| 65 | 220 | 281 | 329 |
| 70 | 166 | 242 | 295 |
| 75 | 112 | 206 | 264 |
| 80 | 62 | 172 | 232 |
| 85 | 20 | 140 | 203 |
| 90 | 0 | 113 | 175 |



4SLSTP4040DD-UNV

Electronic Driver
Linear LED 4000K
Spacing criterion:
(II) 1.27 x mounting
height, (L) 1.29 x
mounting height
Lumens: 4760
Input Watts: 43.5W
Efficacy: 109.4 lm/W
Test Report:
4SLSTP4040DD-
UNV.IES

Candlepower

| Angle | Along II | 45° | Across ⊥ |
|-------|----------|------|----------|
| 0 | 1307 | 1307 | 1307 |
| 5 | 1316 | 1304 | 1297 |
| 10 | 1300 | 1289 | 1282 |
| 15 | 1271 | 1264 | 1258 |
| 20 | 1229 | 1229 | 1224 |
| 25 | 1178 | 1183 | 1179 |
| 30 | 1117 | 1128 | 1128 |
| 35 | 1048 | 1062 | 1072 |
| 40 | 969 | 991 | 1011 |
| 45 | 880 | 913 | 947 |
| 50 | 789 | 833 | 882 |
| 55 | 689 | 748 | 812 |
| 60 | 586 | 666 | 741 |
| 65 | 475 | 581 | 670 |
| 70 | 358 | 497 | 600 |
| 75 | 240 | 417 | 530 |
| 80 | 128 | 344 | 464 |
| 85 | 41 | 280 | 401 |
| 90 | 1 | 222 | 343 |

Coefficients of Utilization

| rc rw RCR | Effective floor cavity reflectance | | | | | | | | | | | | | | | | | | | | |
|-----------------|------------------------------------|-----|-----|-----|-----|-----|-----|-----|-----|-----|-----|----|-----|----|----|----|----|----|----|----|----|
| | 80% | | | | 70% | | | | 50% | | | | 30% | | | | | | | | |
| | 70 | 50 | 30 | 10 | 70 | 50 | 30 | 10 | 50 | 30 | 10 | 50 | 30 | 10 | 50 | 30 | 10 | 50 | 30 | 10 | 0% |
| 0 | 117 | 117 | 117 | 117 | 113 | 113 | 113 | 113 | 105 | 105 | 105 | 99 | 99 | 99 | 93 | 93 | 93 | 90 | 90 | 90 | 90 |
| 1 | 104 | 98 | 93 | 89 | 100 | 95 | 91 | 86 | 89 | 85 | 82 | 83 | 80 | 77 | 78 | 76 | 73 | 70 | 70 | 70 | 70 |
| 2 | 94 | 85 | 77 | 71 | 90 | 82 | 75 | 69 | 77 | 71 | 66 | 72 | 67 | 63 | 67 | 63 | 60 | 57 | 57 | 57 | 57 |
| 3 | 85 | 74 | 65 | 58 | 82 | 71 | 63 | 57 | 67 | 60 | 54 | 63 | 57 | 52 | 59 | 54 | 50 | 47 | 47 | 47 | 47 |
| 4 | 78 | 65 | 56 | 48 | 74 | 63 | 54 | 47 | 59 | 52 | 46 | 55 | 49 | 44 | 52 | 47 | 42 | 40 | 40 | 40 | 40 |
| 5 | 71 | 58 | 48 | 41 | 68 | 56 | 47 | 41 | 53 | 45 | 39 | 50 | 43 | 38 | 47 | 41 | 36 | 34 | 34 | 34 | 34 |
| 6 | 66 | 52 | 42 | 36 | 63 | 50 | 42 | 35 | 47 | 40 | 34 | 45 | 38 | 33 | 42 | 36 | 32 | 30 | 30 | 30 | 30 |
| 7 | 61 | 47 | 38 | 31 | 58 | 45 | 37 | 31 | 43 | 35 | 30 | 41 | 34 | 29 | 38 | 33 | 28 | 26 | 26 | 26 | 26 |
| 8 | 56 | 43 | 34 | 28 | 54 | 41 | 33 | 27 | 39 | 32 | 27 | 37 | 31 | 26 | 35 | 29 | 25 | 23 | 23 | 23 | 23 |
| 9 | 53 | 39 | 31 | 25 | 51 | 38 | 30 | 25 | 36 | 29 | 24 | 34 | 28 | 23 | 33 | 27 | 23 | 21 | 21 | 21 | 21 |
| 10 | 49 | 36 | 28 | 22 | 48 | 35 | 27 | 22 | 33 | 26 | 22 | 32 | 25 | 21 | 30 | 25 | 20 | 19 | 19 | 19 | 19 |

Coefficients of Utilization

| rc rw RCR | Effective floor cavity reflectance | | | | | | | | | | | | | | | | | | | | |
|-----------------|------------------------------------|-----|-----|-----|-----|-----|-----|-----|-----|-----|-----|-----|-----|-----|----|----|----|----|----|----|----|
| | 80% | | | | 70% | | | | 50% | | | | 30% | | | | | | | | |
| | 70 | 50 | 30 | 10 | 70 | 50 | 30 | 10 | 50 | 30 | 10 | 50 | 30 | 10 | 50 | 30 | 10 | 50 | 30 | 10 | 0% |
| 0 | 117 | 117 | 117 | 117 | 113 | 113 | 113 | 113 | 106 | 106 | 106 | 100 | 100 | 100 | 94 | 94 | 94 | 91 | 91 | 91 | 91 |
| 1 | 105 | 99 | 94 | 89 | 101 | 96 | 91 | 87 | 90 | 86 | 83 | 84 | 81 | 78 | 79 | 77 | 74 | 72 | 72 | 72 | 72 |
| 2 | 94 | 85 | 78 | 71 | 91 | 82 | 75 | 70 | 77 | 72 | 67 | 73 | 68 | 64 | 68 | 64 | 61 | 58 | 58 | 58 | 58 |
| 3 | 86 | 74 | 65 | 58 | 82 | 72 | 64 | 57 | 67 | 61 | 55 | 63 | 58 | 53 | 60 | 55 | 51 | 48 | 48 | 48 | 48 |
| 4 | 78 | 65 | 56 | 49 | 75 | 63 | 55 | 48 | 60 | 52 | 46 | 56 | 50 | 45 | 53 | 48 | 43 | 41 | 41 | 41 | 41 |
| 5 | 72 | 58 | 49 | 42 | 69 | 56 | 48 | 41 | 53 | 46 | 40 | 50 | 44 | 39 | 47 | 42 | 37 | 35 | 35 | 35 | 35 |
| 6 | 66 | 52 | 43 | 36 | 63 | 51 | 42 | 36 | 48 | 40 | 35 | 45 | 39 | 34 | 43 | 37 | 33 | 30 | 30 | 30 | 30 |
| 7 | 61 | 47 | 38 | 32 | 59 | 46 | 37 | 31 | 43 | 36 | 30 | 41 | 35 | 30 | 39 | 33 | 29 | 27 | 27 | 27 | 27 |
| 8 | 57 | 43 | 34 | 28 | 55 | 42 | 34 | 28 | 40 | 32 | 27 | 38 | 31 | 26 | 36 | 30 | 26 | 24 | 24 | 24 | 24 |
| 9 | 53 | 39 | 31 | 25 | 51 | 38 | 30 | 25 | 37 | 29 | 24 | 35 | 28 | 24 | 33 | 27 | 23 | 21 | 21 | 21 | 21 |
| 10 | 50 | 36 | 28 | 23 | 48 | 35 | 28 | 23 | 34 | 27 | 22 | 32 | 26 | 22 | 31 | 25 | 21 | 19 | 19 | 19 | 19 |

Zonal Lumen Summary

| Zone | Lumens | % Fixture |
|-------|--------|-----------|
| 0-30 | 481 | 20.8 |
| 0-40 | 794 | 34.4 |
| 0-60 | 1450 | 62.8 |
| 0-90 | 2076 | 89.9 |
| 0-180 | 2310 | 100.0 |

Luminaire Data

| Angle in Deg | Average 0-Deg cd/sm | Average 45-Deg cd/sm | Average 90-Deg cd/sm |
|--------------|---------------------|----------------------|----------------------|
| 45 | 8700 | 6940 | 6665 |
| 55 | 8336 | 6435 | 6259 |
| 65 | 7754 | 5916 | 5937 |
| 75 | 6446 | 5456 | 5715 |
| 85 | 3418 | 5210 | 5706 |

Zonal Lumen Summary

| Zone | Lumens | % Fixture |
|-------|--------|-----------|
| 0-30 | 1021 | 21.5 |
| 0-40 | 1682 | 35.3 |
| 0-60 | 3053 | 64.1 |
| 0-90 | 4328 | 90.9 |
| 0-180 | 4760 | 100.0 |

Luminaire Data

| Angle in Deg | Average 0-Deg cd/sm | Average 45-Deg cd/sm | Average 90-Deg cd/sm |
|--------------|---------------------|----------------------|----------------------|
| 45 | 20094 | 12212 | 10812 |
| 55 | 19395 | 10476 | 9413 |
| 65 | 18147 | 8821 | 8140 |
| 75 | 14972 | 7149 | 6987 |
| 85 | 7595 | 5711 | 5976 |

ACCESSORIES

(Order Separately)

- AYC-CHAIN/SET=36" Hanging Chain Set w/v Hooks
- TOGGLE-10=10' Suspension Aircraft Cable Kit (specify if another length needed)
- SCF-12-B=12" Fixed Stem Set (specify if another length needed)
- 2SLSTPLNS=2 ft. Replacement Lens
- 4SLSTPLNS=4 ft. Replacement Lens

| Catalog # | Unit UPC | Master Pack (2 Units) | CCT (K) | CRI (Min) | Delivered Lumens | Watts | Efficacy (LPW) | Controls | Input Current (A) | |
|-------------------|--------------|-----------------------|---------|-----------|------------------|-------|----------------|--------------------------|-------------------|------|
| | | | | | | | | | 120V | 277V |
| 2SLSTP1040DD-120V | 080083705771 | 080083713363 | 4000 | 80 | 1250 | 11 | 113 | Phase Cut Dimming to 10% | 0.09 | |
| 2SLSTP2040DD-120V | 080083705788 | 080083713370 | 4000 | 80 | 2150 | 23 | 111 | Phase Cut Dimming to 10% | 0.19 | |
| 4SLSTP2040DD-120V | 080083705795 | 080083713387 | 4000 | 80 | 2579 | 23 | 114 | Phase Cut Dimming to 10% | 0.19 | |
| 4SLSTP4040DD-120V | 080083705801 | 080083713394 | 4000 | 80 | 4474 | 40 | 112 | Phase Cut Dimming to 10% | 0.33 | |
| 4SLSTP2040DD-UNV | 080083705818 | 080083713400 | 4000 | 80 | 2410 | 21 | 113 | 0-10V Dimming to 10% | 0.18 | 0.08 |
| 4SLSTP4040DD-UNV | 080083705825 | 080083713417 | 4000 | 80 | 4760 | 44 | 109 | 0-10V Dimming to 10% | 0.36 | 0.15 |

SHIPPING DATA

| Catalog Base | Wt. | Units per Pallet |
|--------------|----------|------------------|
| 2SLSTP | 2.8 lbs. | 144 |
| 4SLSTP | 4.6 lbs. | 72 |