



MAXI-SIGNAL PRODUCTS

division of **mill specialties inc.**

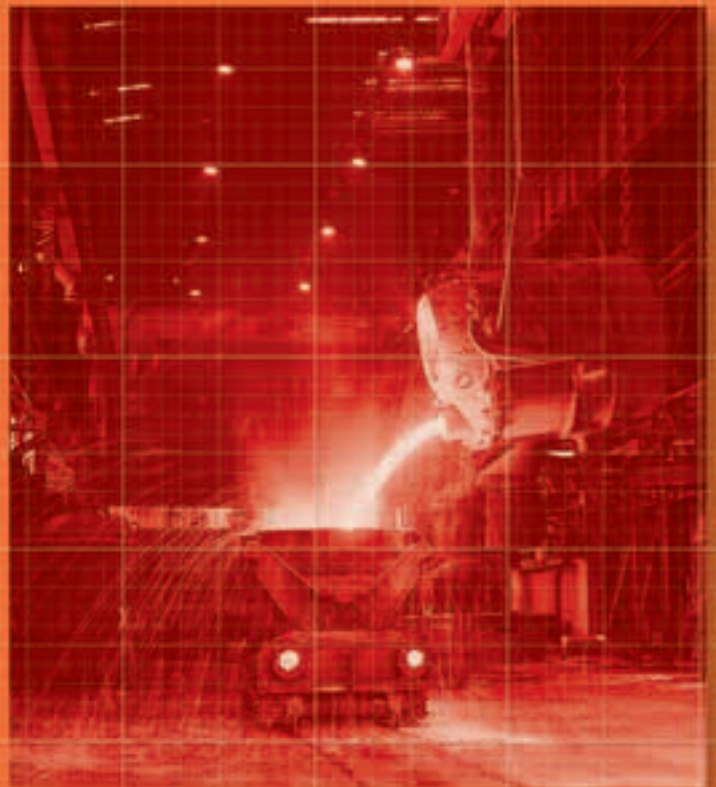
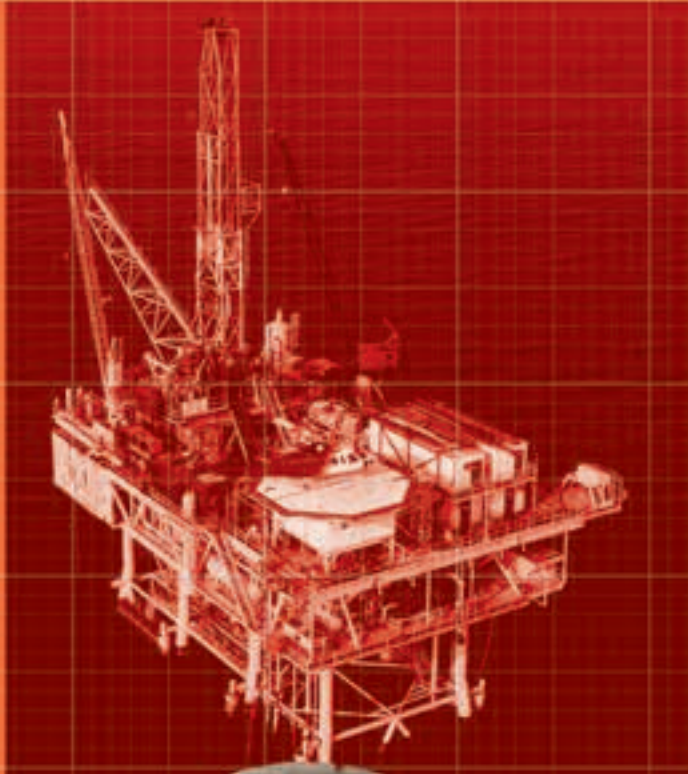
CATALOG NO. 2011
Rev 1, November 2011

www.maxi-signal.com

E-mail:

sales@maxi-signal.com

TOLL FREE PHONE 800-227-9636 • FAX 800-592-4700



SERVING THE INDUSTRY FOR 41 YEARS

Dear Customer,

It is the goal of Maxi-Signal to provide you an easy to use catalog of signals, lighting and safety equipment. Every effort is made to keep current and make certain you are offered the highest quality and best value.

We are confident all goals have been met and assure you fast, friendly service. All warehouse facilities are computerized and have telecommunication links for immediate order processing.

Please feel free to inquire about other products. Our sales application engineers are eager to assist you. Outside sales engineers are also available for field assistance.

Sincerely,



Local (708) 354-4730
Fax (708) 354-0168
Toll Free (800)227-9636
Toll Free Fax (800)592-4700
www.maxi-signal.com
Email:sales@maxi-signal.com

**Specifications and prices
subject to change without
prior notice.**

CONTENTS

STROBES/LEDS

Microstrobe® Lift Truck and General Purpose Strobes	1
MicroLED Lift Truck LED Flasher	2
Single Flash Automotive Strobes	3
Single Flash High Intensity Strobes	4
Double/Quad Flash High Intensity Low and Medium Profile Strobes	5
Porta-Strobes & MINISTROBES®	6
POWER STROBES® Heavy Duty Rough Service Strobes	7
Explosion Proof Weatherproof Strobes	8
Super Explosion Proof Weatherproof, Very High Intensity Strobes	9
Division 2 Hazardous Location Strobes	10
Model 4000X Div. 2 Strobes	11
MicroLert Mini LED	12
Series 3000 LED Explosion Proof Signal	13
Series 7000 LED Super Explosion Proof Signal	14
Model 2000XL Div. 2 LED	15

SIRENS

POWER ALARMS® Multisound Audible Alarms	16
Horns, Bells and Sirens	17
Explosion Proof Bells and AC/DC Bells	18
Backup Alarms	19
Sirens and Multitone Horns	20

MISCELLANEOUS SIGNALS

Revolving, and Flashing Lights	21
Multi-Tone Horn and LED or Strobe Warning Light Combo	22
Single-Tone Horn and LED or Strobe Warning Light Combo	23

STATUS LIGHTS

Strobe Status Lights	24
MicroStack Status Lights	25
MicroLert Status LED Lights	26
250 DC Steady Burn LED Crane Status Lights	27
120 AC Steady Burn LED Crane Status Lights	28
120 AC & 250 DC Steady Burn LED Status Lights W/O Lens	29

LIGHTING EQUIPMENT

LED Flood Lights	30
LED Tunnel Lights	31
LED 50 Watt Flood Light with Heavy Duty Magnet	32
LED 200 Watt Flood Light	33
Circle D Heavy Duty Floodlights	34
Metal Halide Crane Lights	35
250 DC Mercury Vapor & High Pressure Sodium Crane lights	36
250 VDC Ballasts and Shock Mounts	37
Heavy Duty Quartz and Seal Beam Flood lights	38
Self-Ballasted Mercury Vapor Lamps	39

FANS & HEATERS

Fans	40
Unit and Portable Heaters	41
Crane Cab Heaters	42

FIRE ALARM PULL BOXES

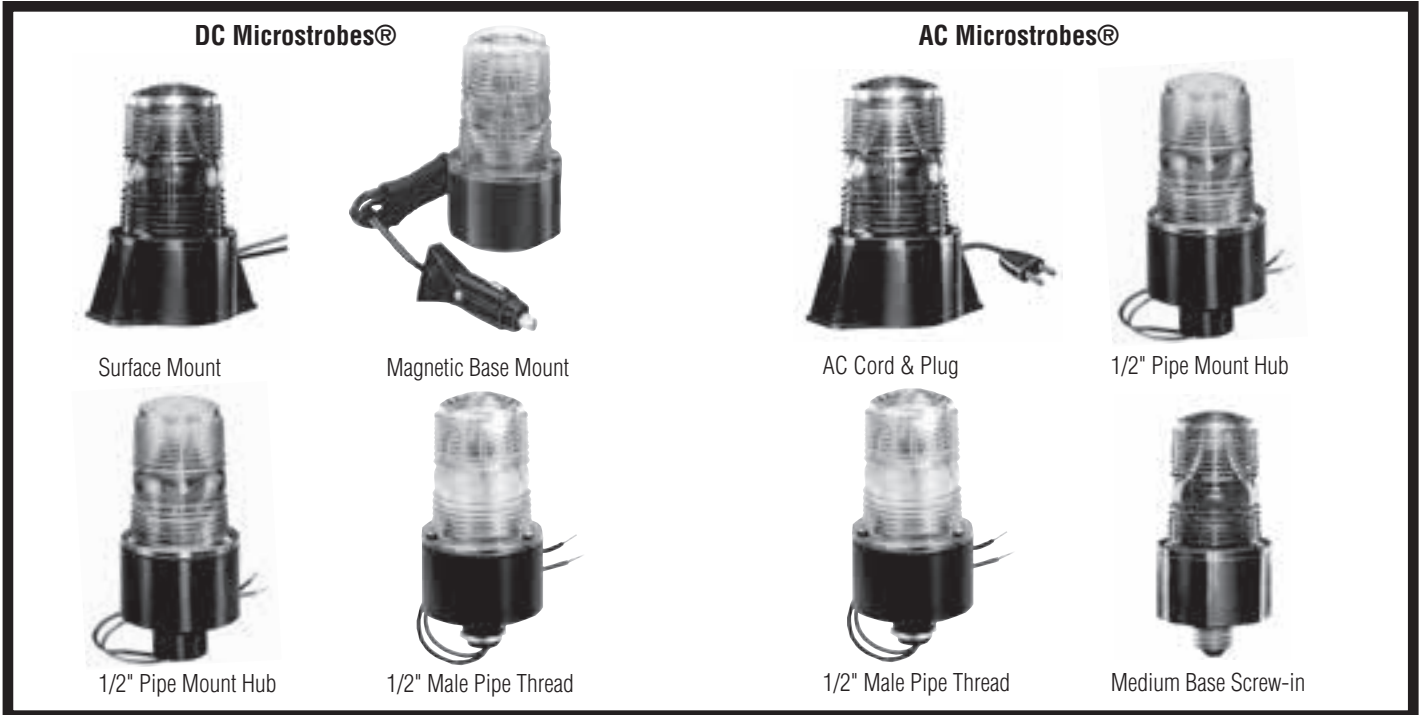
Indoor, outdoor and Explosion Proof Pull Boxes	43
--	----

REMOTE STROBE HEADS & POWER SUPPLIES

Two Outlet Strobe Power Supplies	44
Four and Six Outlet Power Supplies	45
Remote 360 Degree Strobe Heads	46
Remote PAR and RECT Strobe Heads	47
Replacement Strobe Lamps	48
Sales Representative Information	Outside Back Cover

MICROSTROBE™ IV EXTENDED 10 YEAR WARRANTY

Except for xenon strobe lamps, TOMAR Electronics Inc. warrants the MICROSTROBE™ IV strobe against defects in material and workmanship for 10 years from the date of manufacture. At its option and at no cost to the purchaser, TOMAR will either repair or replace products covered by its warranty. To qualify for warranty service products must not be physically damaged. All products requiring warranty service shall be returned to TOMAR within 10 years from the date of manufacture, shipped prepaid. Tomar will return repaired or replaced products to the purchaser via prepaid ground transportation. Xenon strobe lamps are warranted for 1 full year from the date of manufacture. TOMAR assumes no liability for cost incurred in removing or reinstalling products requiring service. This warranty gives you specific legal rights. You may also have other rights which may vary from state to state.



FORK TRUCK STROBES - DC Models

The MICROSTROBE® IV strobe family is an enhanced version of the MICRO III featuring a new screw-on 100% water-tight lens and power supply which can operate from a very wide input voltage range of 12 through 80 VDC or 16 through 24 VAC. The supply has a regulated output so that the lamp brightness and flash rate remain constant over the entire input voltage range. The power supply is potted in polyurethane for the ultimate in protection from shock and vibration. The enclosure is 100% Lexan Type 4X, and the plug-in strobe lamp is field replaceable. All units are polarity protected and have built-in filters to protect against radio interference and spike voltages. The MICROSTROBE® IV is protected with a **TEN YEAR WARRANTY**. See opposite page.

SPECIFICATIONS

• Intensity

CLEAR	50 Candela
AMBER	40 Candela
BLUE	20 Candela
RED	10 Candela
GREEN	20 Candela

- 1.75 Joules per flash, power supply output 2.7 Watts
- 60 to 80 flashes per minute
- UL component listed, type E, ES & EE Electric Trucks
- 5" Tall X 3" Dia., 0.6 lbs.
- **TEN YEAR WARRANTY**

470S-1280	Surface Mount
470SMB-1280	Magnetic Mount with 6 ft. cord & cigar plug.
490S-1280	1/2" Pipe Mount Hub
495S-1280	1/2" Male Pipe Thread
470SMB-1280/CC	Magnetic Mount w/ 10' coiled cord & cigar plug

Options & Parts

G470	Guard
5001	Flashtube
470S-L	Lexan Lens
BKT	L Mounting Bracket
LBO	180 Degree lens black out (NC if ordered with unit)

MICROSTROBES® - AC Models

For general purpose visible signals the versatile MICROSTROBE® does it all. Choose from several mounting styles - even a medium base light bulb socket model. The most recent models have been upgraded to polyurethane potted power supplies with screw-on Lexan lenses, creating a 100% water-tight Type 4X enclosure.

Application Note for 120 VAC Units

120 VAC units that are going to be switched on-off with a solid state relay should be ordered with option **/TRIAC-SW** to prevent false operation from snubber leakage current.

SPECIFICATIONS

• Intensity

CLEAR	50 Candela
AMBER	40 Candela
BLUE	20 Candela
RED	10 Candela
GREEN	20 Candela

- 1.75 Joules per flash, power supply output 2.7 Watts
- 60 to 80 flashes per minute, -40F to +150F Temperature Range
- All models UL Listed
- Low power consumption 0.04 amps @ 120 VAC
- 5" tall X 3" Dia., 0.6 lbs.
- **Two Year Warranty**

480S-120	AC Cord & Plug Surface Mount
490S-120	1/2" Pipe Mount Hub
495S-120	1/2" Male Pipe Thread
485S-120	Medium Base Socket Screw-in
470SSGP-120	Wall Plate Mount (not shown)
490S-240	240 AC 1/2" Pipe Mount
495S-240	240 AC Male Pipe Thread
485S-240	240 AC Medium Base Mount

Options & Parts

G470	Guard
5001	Flashtube
470S-L	Lexan Lens
/TRIAC-SW	Leakage current bypass

12-80 VDC microLED FORK TRUCK FLASHING LED LIGHTS



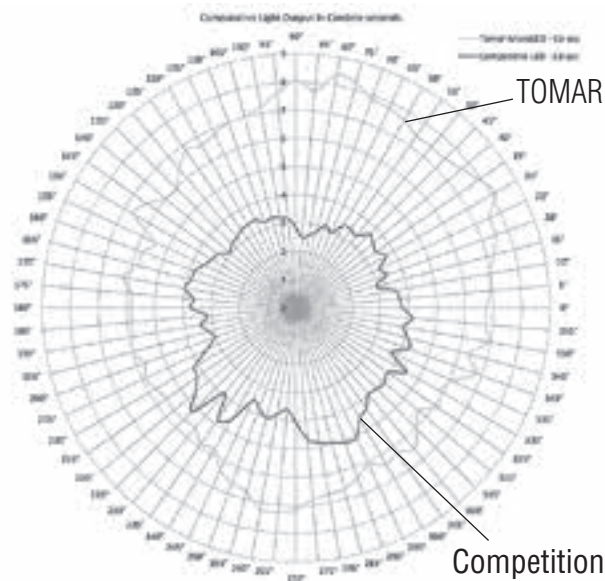
Surface Mount



1/2" Pipe Mount



1/2" Thread Mount



SPECIFICATIONS:

- 5 Year Warranty
- Voltage and Amperage: 200 mA @ 24 VDC, 100 mA @ 48 VDC, 50 mA @ 100 VDC
- Operating Temperature: -40+65 C
- NEMA 4X
- UL Recognized
- 12-80 VDC
- 100,000 hour LED
- Lexan Lens
- Neobe[®] Flashing Technology - 75 FPM
- Pipe, Thread or Surface Mount
- Sealed Construction - NEMA 6P Capable
- 3 LED Colors - Amber, Blue, Red
- Size: 3" Dia. X 4.5" High, 3.4" bolt hole centers
- Weight: 0.45 Lbs.

The MicroLED is the ideal choice for Lift Truck applications; offering excellent flash intensity rivaling strobe lights, durable vibration resistant construction, long life 100,000 hour LED technology, backed up with a five year warranty.

The above chart illustrates the superior technology employed by Tomar Electronics in the design of the MicroLED Lift Truck Flasher. It out-performs the competition easily. The vertical and horizontal flash intensity is bright enough to be visible on the ceiling and walls of warehouse aisles, helping locate a Lift Truck hidden by surrounding merchandise.

The tough Lexan Lens is spun welded to the base to completely seal out moisture. The MicroLED is UL recognized and manufactured to NEMA 4X specifications. It's available in three colors (Amber, Blue and Red).

370L-1280-(color) Surface Mount 12-80 VDC
390L-1280-(color) 1/2" Pipe Mount 12-80 VDC
395L-1280-(color) 1/2" Thread Mount 12-80 VDC

G470 Heavy Duty Guard
BKT L Mounting Bracket



Model 500P-1228 Three Bolt or 1/2" Pipe Mount
Meets FAA AC 150/5210-5D (amber only)



Model 550P-1274 Three Bolt or 1/2" Pipe Mount

500P MICRO LITE™ MULTI-VOLTAGE INPUT

The model 500P family is a low profile single flash strobe featuring a dual input voltage rating of 12 thru 28 VDC, three bolt mount and 1/2" pipe mount, Lexan lens, hi-efficiency regulated solid state potted power supply and heavy duty xenon strobe lamp. All units are polarity protected and have built-in filters to protect against radio interference and spike voltages. The model 500P features a fully potted, Lexan, multipurpose mounting base which is vibration and water resistant, and has a field replaceable plug-in strobe lamp.

SPECIFICATIONS:

- **Intensity:**

CLEAR	200 Candela eff.
AMBER	170 Candela eff.
BLUE	95 Candela eff.
RED	40 Candela eff.
GREEN	80 Candela eff.

- 6 joules per flash, power supply output 8 Watts
- 70-90 flashes per minute
- 5.25" Tall X 5.5" Dia. 2.0 lbs.
- **2 Year Warranty**

500P-1228 12 thru 28 VDC, 0.8 A avg. @ 12 VDC, 0.4 A avg @ 24 VDC

500PMB-1228 12 thru 28 VDC with magnetic base & coiled cord.

500PMBSC-1228 12 thru 28 VDC with magnetic base & straight cord.

Note: Standard Models do not include a mounting flange (ring). If required, please order from the parts list below.

Options & Parts

2001 Strobe lamp

LBO-MINILITE 180 degree lens black out

TBO-MAXI Top lens black out

BKT L Mounting bracket

802-03 Lens dust cover

G802 Guard

500-1228-BASE 12-28 VDC Power Supply

800-FLG Mounting Flange (ring)

550P MICRO LITE™ MULTI-VOLTAGE INPUT

The model 550P family is a low profile single flash strobe light featuring a multiple input voltage rating of 12 thru 74 VDC, three bolt and 1/2" pipe mount, Lexan lens, hi-efficiency regulated solid state potted power supply and heavy duty xenon strobe lamp. All units are polarity protected and have built-in filters to protect against radio interference and spike voltages. The model 550P features a fully replaceable plug-in strobe lamp, and is UL component recognized for use on type E, EE and ES electric industrial trucks covered by UL standard #583 under file number AU2049.

SPECIFICATIONS:

- **Intensity:**

CLEAR	270 Candela eff.
AMBER	230 Candela eff.
BLUE	125 Candela eff.
RED	55 Candela eff.
GREEN	110 Candela eff.

- 12 joules per flash, power supply output 11 Watts
- 70-90 flashes per minute
- 5.25" Tall X 5.5" Dia. 2.0 lbs.
- **2 Year Warranty**

550P-1274 12 thru 74 VDC, 1.25 A avg. @ 12 VDC, .20 A avg. @ 74 VDC

550PMB-1274 12-74 VDC with magnetic base & coiled cord

550PMBSC-1274 12-74 VDC with magnetic base & straight cord.

Note: Standard models do not include a mounting flange (ring). If required please order from the parts list below.

Options & Parts

2001 Strobe lamp

LBO-MINILITE 180 degree lens black out

TBO-MAXI Top lens black out

BKT L Mounting bracket

802-03 Lens dust cover

G802 Guard

550-1274-BASE 12-74 VDC Power Supply

800-FLG Mounting Flange (ring)

SINGLE FLASH HIGH INTENSITY STROBES



Flange Mount Standard on all DC Models



Flange Mount Standard on all DC Models

MAXI I™ STROBE MULTI-VOLTAGE INPUT

A medium profile single flash strobe of over one million candle power for high intensity applications. The MAXI I STROBE can be seen in bright sunlight and has built-in filters to protect against radio interference and spike voltages.

- Potted circuit board protects against moisture, shock and vibration
- Multi-mount base design...Flange...1/2" pipe mount...Thru bolts.

6.75" Tall X 5.5" Dia. 2.2 lbs.

SPECIFICATIONS:

Intensity

CLEAR	480 Candela eff.
AMBER	400 Candela eff.
BLUE	220 Candela eff.
RED	95 Candela eff.
GREEN	190 Candela eff.

- 8 joules per flash.
- 80-95 FPM.
- 5 year extended warranty.

804-110 120 VAC, 0.17 A, UL Listed, Type 4X.

804-240 240 VAC, 0.12 A, UL Listed, Type 4X.

804-1274 12-74 VDC, 1.25 A @12 VDC

804LC-110 120 VAC Strobe with AC cord and Plug, UL Listed, Type 4X.

804MB-1274 12-74 VDC with Magnetic Base and Coiled Cord

Note: Flange not included with AC models. If required, please order from the parts list below.

Options & Parts

LBO-MAXI 180 degree lens black out

TBO-MAXI Top lens black out

4001 Flash tube

G800 Guard

800/1250-DC Clear dust cover

BKT L mounting bracket

1700 Lexan Lens

800-FLG Mounting flange

MINI LITE I™ STROBE MULTI-VOLTAGE INPUT

A low profile single flash strobe of over one million candle power, for applications where overhead clearance is a problem. The MINI LITE I is bright enough for outdoor applications in bright sunlight and has built-in filters to protect against radio interference and spike voltages.

- Potted circuit board protects against moisture, shock and vibration.
- Multi-mount base design...Flange...1/2" pipe mount...Thru bolts.

5.25" Tall X 5.5" Dia. 2 lbs.

SPECIFICATIONS:

Intensity

CLEAR	400 Candela eff.
AMBER	340 Candela eff.
BLUE	185 Candela eff.
RED	80 Candela eff.
GREEN	160 Candela eff.

- 8 joules per flash.
- 80-95 FPM.
- 5 year extended warranty.

801-110 120 VAC ,0.17A, UL Listed, Type 4X.

801-240 240 VAC, 0.12 A, UL Listed, Type 4X.

801-1274 12-74 VDC, 1.25 A @ 12 VDC

801LC-110 120 VAC strobe with AC Cord & Plug, UL Listed, Type 4X.

801MB-1274 12-74 VDC with Magnetic base and Coiled Cord

Note: Flange not included with AC models. If required, please order from the parts list below.

Options & Parts

LBO-MINILITE 180 degree lens black out

TBO-MAXI Top lens black out

4001 Flash tube

G802 Guard

802-03 Clear dust cover

BKT L mounting bracket

801-L Lexan lens

800-FLG Mounting flange

DOUBLE/QUAD FLASH HIGH INTENSITY STROBES



Flange Mount Standard on all DC Models



Flange Mount Standard on all DC Models

MULTI STROBE DOUBLE/QUAD FLASH

A medium profile double or Quad flash strobe of over one million candle power for high intensity applications. The MULTI STROBE can be seen in bright sunlight and has built-in filters to protect against radio interference and spike voltages.

- Potted circuit board protects against moisture, shock and vibration.
- Photocell to automatically adjust the intensity from day to night.
- Multi-mount base design...Flange...1/2" pipe mount...Thru bolts.
- Field selection of flash rate: Double or Quad by clipping a wire.

SPECIFICATIONS

Intensity	Double Flash	Quad Flash
CLEAR	1020 Candela eff.	1200 Candela eff.
AMBER	720 Candela eff.	1020 Candela eff.
BLUE	240 Candela eff.	560 Candela eff.
RED	160 Candela eff.	210 Candela eff.
GREEN	165 Candela eff.	480 Candela eff.

- 17 Joules per Double Flash
- 70-80 DFPM, 60-70 QFPM
- -40C to +71C
- 25 Joules per Quad Multi Flash
- 6.75" Tall X 5.5" Dia. 2.2 lbs.
- 5 year extended warranty.

824-110 120 VAC, 0.8 A Peak, 0.5 to 0.6 A avg.

824-1228 12-28 VDC, 2.2 to 2.4 A avg. @ 12 V., 1.2 to 1.4 A avg @ 28 V

824MB-1228 Mag. base w/ 10' coiled cord and Cig. plug

824MBSC-1228 Mag. base w/ straight cord and Cig. plug

824LC-110 120 VAC w/AC C & P

824-240 240 VAC, 0.8 A Peak, 0.5 to 0.6 A avg.

Note: Flange not included with AC models. If required, please order from below.

Options & Parts

LBO-MAXI 180 degree lens black out

TBO-MAXI Top lens black out

4001 Flash tube

G800 Guard

800/1250-DC Clear dust cover

BKT L mounting bracket

1700 Lexan Lens

800-FLG Mounting flange

MINI LITE II™ STROBE DOUBLE/QUAD FLASH

A low profile double or Quad flash strobe of over one million candle power, for applications where overhead clearance is a problem. The Mini Lite II is bright enough for outdoor applications in bright sunlight and has built-in filters to protect against radio interference and spike voltages.

- Potted circuit board protects against moisture, shock and vibration.
- Photocell to automatically adjust the intensity from day to night.
- Multi-mount base design...Flange...1/2" pipe mount...Thru bolts.
- Field selection of flash rate: Double or Quad by clipping a wire.

SPECIFICATIONS

Intensity	Double Flash
CLEAR	750 Candela eff.
AMBER	525 Candela eff.
BLUE	175 Candela eff.
RED	115 Candela eff.
GREEN	120 Candela eff.

- 17 Joules per Double Flash
- 68 to 72 DFPM, 58 to 62 QFPM
- 5 year extended warranty.
- 25 Joules per Quad Multi Flash
- 5.25" Tall X 5.5" Dia. 2 lbs.

8024-110 120 VAC, 0.8 A Peak, 0.5 to 0.6 A avg.

8024-1228 12-28 VDC, 2.2 to 2.4 A @ 12 V, 1.2 to 1.4 A avg @ 28 V

8024MB-1228 Mag. base w/ 10' straight cord and Cig. plug

8024MBSC-1228 Mag. base w/ coiled cord and Cig. plug

8024LC-110 120 VAC w/AC C & P

8024-240 240 VAC, 0.8 A Peak, 0.5 to 0.6 A avg.

Note: Flange not included with AC models. If required, please order from below.

Options & Parts

LBO-MINILITE 180 degree lens black out

TBO-MAXI Top lens black out

4001 Flash tube

G802 Guard

802-03 Clear dust cover

BKT L mounting bracket

801-L Lexan lens

800-FLG Mounting flange



PORTA-STROBE™

This battery operated strobe flasher provides a highly visible flash for a wide variety of applications. Use anywhere a bright portable flasher is needed with a pair of 6 V lantern batteries or our rechargeable version.

- 3 joules flash intensity @ 60 FPM.
- Impact resistant Lexan lens.
- Magnetic base option.
- 24 hour battery life.
- medium or low profile lens.
- 100% weatherproof
- 300 milliamp draw

7400	Medium profile 6" tall lens
7401	Low profile 4" tall lens
7400-MB	Medium profile mag. base
7401-MB	Low profile mag. base
7400/RC	Med. profile Rechargeable
7401/RC	Low profile Rechargeable
7400-MB/RC	Med. profile mag. base Rechargeable
7401-MB/RC	Low profile mag. base Rechargeable
460	6 V spring type lantern battery (two required)
PS-650LS	Twin rechargeable battery pack
PSC-6500A-C	Charger

Note: Rechargeable models include the battery pack. For non-rechargeable models please order (2) two number 460 batteries separately.

PORTA-LED™

This battery operated LED flasher provides a highly visible flash for a wide variety of applications. Industrial users will find it useful for maintenance personnel on job sites where power is not available or inconvenient to connect. A magnetic base option is available for secure mounting.

The LED bulbs provide life in excess of 100,000 hours and draw so little current, that battery life is measured in hundreds of hours.

Use the PORTA-LED™ anywhere a bright portable flasher is needed with a pair of 6 Volt lantern batteries. (batteries not included)

Dimensions: Lens: 5" dia. X 3" high. Case: 5" H X 7" W X 3" Deep.

7600-LED-A	Amber PORTA-LED™
7600-LED-R	Red PORTA-LED™
7600-LED-MB-A	Amber magnetic base PORTA-LED™
7600-LED-MB-R	Red magnetic base PORTA-LED™
460	6 Volt spring type lantern battery (two required)

Notes: 1. Other colors available upon request

The MINI STROBE® family is a single flash heavy duty strobe light featuring all aluminum housing, flange mount, lexan lens, and plug-in strobe lamp. The DC units are component recognized by UL for use on electric fork lift trucks.

SPECIFICATIONS

• Intensity	8 Joule	15 Joule
CLEAR	185 Candela	360 Candela
AMBER	160 Candela	300 Candela
BLUE	85 Candela	160 Candela
RED	40 Candela	80 Candela
GREEN	70 Candela	140 Candela

- Power Supply Output 11 Watts
- Current Draw: 1.25 Amps @ 12 DC, 0.2 @ 74 DC.

- Current Draw: 0.17 Amps @ 120 AC, 0.12 @ 240 AC.

- 80 to 95 Flashes per Minute
- UL AU 2049 for E, ES, & EE trucks.
- 8 joule power supply 700 family
- 15 joule power supply 700-110-15J
- 6" Tall X 4.7" Dia., 1.3 lbs.

• TWO YEAR WARRANTY

700-110	120 VAC, 50/60 hz, 0.17 A
700-240	240 VAC, 50/60 hz, 0.12 A
700-1274	12-74 VDC, 1.25 a @ 12 V
700-110-15J	120 VAC, 50/60 hz, 15 J
700-120DC	120 VDC, 0.1 amps

Options & Parts

700-G	Guard
BKT	L mounting bracket
3001	Strobe lamp
700-L	Lexan Lens
6001	Strobe lamp (700-110-15J)
/PM1	1/2" pipe mount (factory installed)

GLASS LENS POWER STROBE®

The glass lens POWER STROBE® offers users with heavy duty applications a visible signal that will operate trouble free in the day-to-day environment of steel mills and similar facilities with corrosive, high temperature, shock and vibration conditions. The glass lens POWER STROBE® is the best choice for cranes, transfer cars, hot mills and coke plants.

Select from two power supplies, 10 or 15 joules and a stainless steel enclosure option. (15 joule power supply is for 120 VAC only)

- 1,000,000/1,500,000 peak candle power flash, 90 FPM
- NEMA 4 steel enclosure standard, optional stainless steel available
- 250 VDC models are provided with transient surge voltage protection
- Ambient temperature -55C to +85C
- 9" H X 6" W X 6" D, 10 lbs

3000-GLASS 250 VDC, 10 joules, 0.07 amps

3200-GLASS 120 VAC, 10 joules, 0.17 amps

3300-GLASS 240 VAC, 10 joules, 0.12 amps

3200-GLASS/HP 120 VAC, 15 joules, 0.25 amps

OPTIONS

/SS Stainless steel enclosure

PARTS

3001 Strobe lamps

3006A Glass Lens

140030 Guard for glass lens

6001 Strobe lamp for HP models



REMOTE MAXI LENS POWER STROBE®

Basic unit with remote power supply and Maxi lens for application that could damage the power supply.

- Lens: 6.75" tall X 5.5" dia.
- Power Supply: 8" tall X 6" W X 4" Deep

COMPLETE UNITS

3000/RML 250 VDC, 10 joules, 0.07 amps

3200/RML 120 VAC, 10 joules, 0.17 amps

3300/RML 240 VAC, 10 joules, 0.12 amps

3200HP/RML 120 VAC 15 joules, 0.25 amps

OPTIONS

/SS Stainless steel enclosure



MAXI POWER STROBE®

Basic unit with high profile lexan lens to give larger, brighter flash.

- 1,000,000 CP @ 90 FPM
 - 9" tall X 6.74" square, 6.5 lbs.
 - Optional 15 joule 120 VAC power supply
- 3000ML** 250 VDC, 10 joules, 0.07 amps
3200ML 120 VAC, 10 joules, 0.17 amps
3300ML 240 VAC, 10 joules, 0.12 amps
3200ML/HP 120 VAC, 15 joules, 0.25 amps

OPTIONS

/SS Stainless steel enclosure

/GP Heavy duty guard for ML version



REMOTE GLASS LENS POWER STROBE®

The remote glass lens POWER STROBE® has the same features as the standard lens version, except it will give the user a visible signal that can be operated in elevated temperatures or where conditions require the electronic circuitry to be out of harm's way.

Enclosure: 8" X 6" X 4", 6 lbs. Lens: 6 1/2" dia. X 5" high, 4 lbs.

COMPLETE UNITS

3000/R-GLASS 250 VDC Remote glass lens, 10 joules, 0.07 amps

3200/R-GLASS 120 VAC Remote glass lens, 10 joules, 0.17 amps

3300/R-GLASS 240 VAC Remote glass lens, 10 joules, 0.12 amps

3200/R/HP-GLASS 120 VAC Remote glass lens, 15 joules, 0.25 amps

SEPARATE COMPONENTS

3015-GLASS Glass lens strobe head

3000-PS 250 VDC, 10 joule power supply

3200-PS 120 VAC, 10 joule power supply

3300-PS 240 VAC, 10 joule power supply

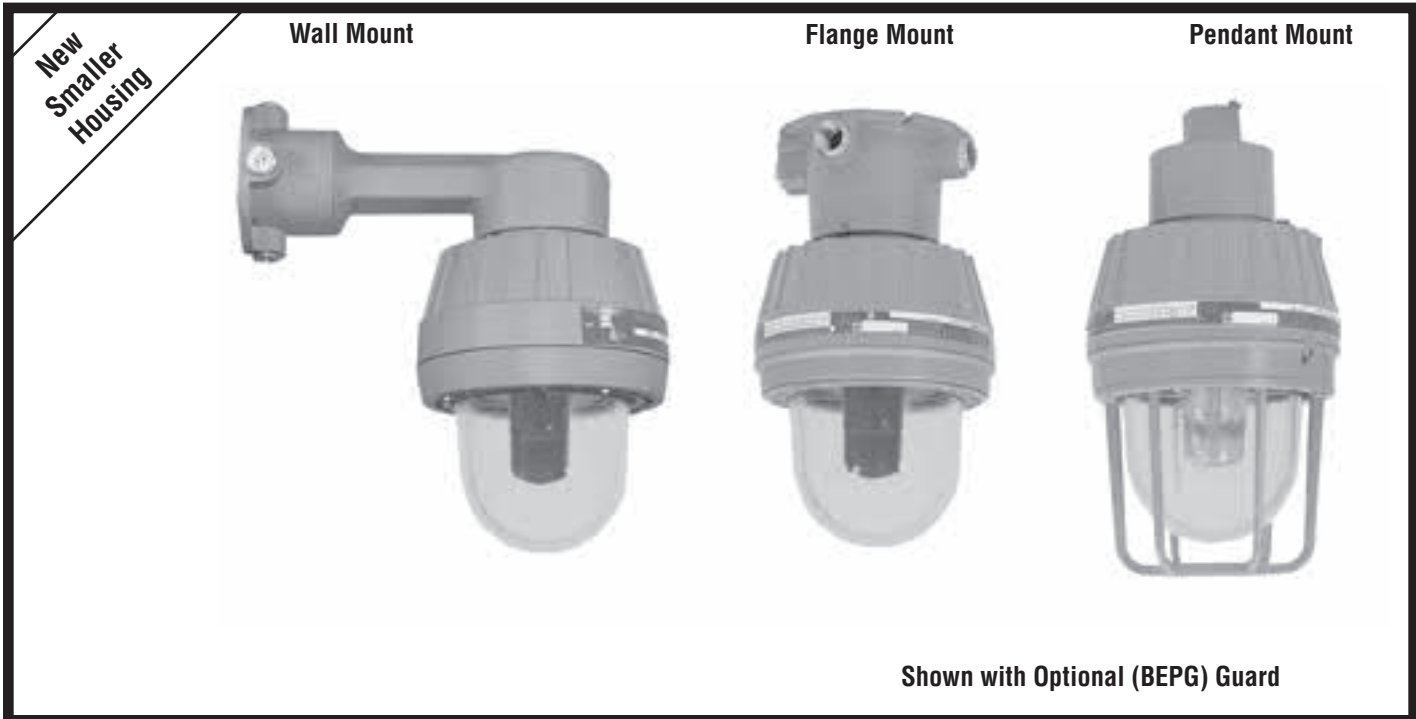
3200-PS/HP 120 VAC, 15 joule power supply

/SS Stainless steel enclosure option

Specify lens color when ordering.

EXPLOSION PROOF STROBES

by Tomar Electronics



Shown with Optional (BEPG) Guard

These models of single flash explosion proof UL listed strobe lights are designed for operation in hazardous areas rated Class I Group C & D and Class II group E, F, & G. Design features include a housing made of die cast high strength copper-free aluminum alloy with baked powder epoxy

finish, stainless steel hardware, O-ring sealed prestressed glass globe with double pitch acme threads for smooth assembly and ease of maintenance, and an optional guard which need not be removed for relamping. 3/4" conduit hubs are standard.

ORDERING INFORMATION

Please specify lens color and the model number desired. Colors available are AMBER, CLEAR, BLUE, GREEN, PURPLE OR RED.

Model No.	Description	Voltage	Approvals
3150BEP-FM	Flange Mount	12 thru 74 VDC	UL
3200BEP-FM	Flange Mount	120 VAC	UL
3300BEP-FM	Flange Mount	240 VAC	UL
3150BEP-PM	3/4" Pendant Mt.	12 thru 74 VDC	UL
3200BEP-PM	3/4" Pendant Mt.	120 VAC	UL
3300BEP-PM	3/4" Pendant Mt.	240 VAC	UL
3150BEP-WM	Wall Mount	12 thru 74 VDC	UL
3200BEP-WM	Wall Mount	120 VAC	UL
3300BEP-WM	Wall Mount	240 VAC	UL

Options:

EP-FM-1	Splice Box with 1" Hubs	UL
EP-PM-1	Splice Box with 1" Hubs	UL
EP-WM-1	Splice Box with 1" hubs	UL
BEPG	Guard (optional)	UL

SPECIFICATIONS

Lamp Type

700-R1 Hermetically Sealed Xenon Strobe Lamp Assembly

Voltage and Amperage

12-74 VDC Draws 1.25 A avg. @12 VDC tapering to 0.2 A avg. @74 VDC
 120/240 VAC Draws 0.17 A avg. @ 120 VAC
 (50/60 Hz) Draws 0.075 A avg. @ 240 VAC

Power Supply Output

13 Watts Standard, 11 Watts for 3150
 9 joules per flash Std., 8 joules per flash for 3150

Temperature Range

-40 Degrees C to +55 degrees C

Flash Rate

85 Flashes per minute

Temperature Code

T6 - Class I Groups C & D
 T4A - Class II Groups E, F, & G

Intensity

Clear 200 Candela eff.
 Amber 170 Candela eff.
 Blue 90 Candela eff.
 Red 40 Candela eff.
 Green 70 Candela eff.

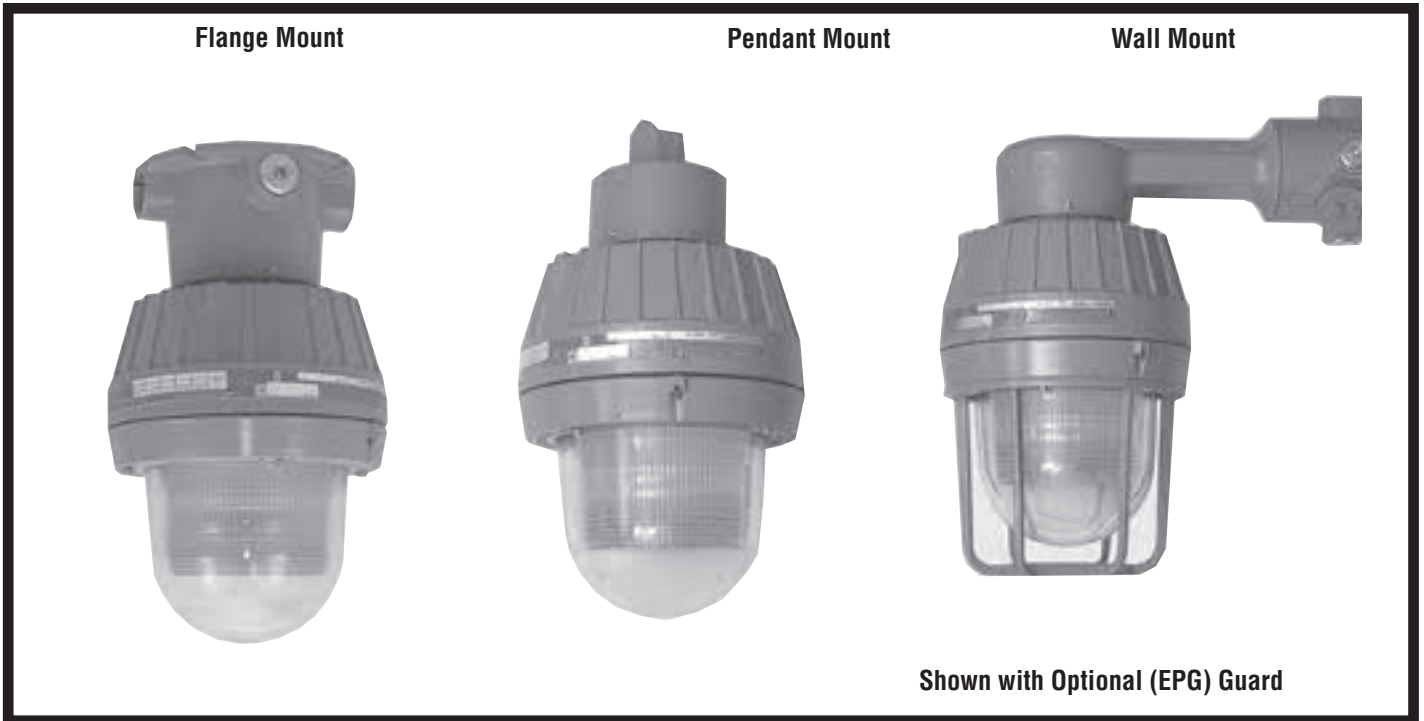
Size and Weight

14" Tall X 7 1/4" Dia. 13 lbs.
 (368 mm) (222 mm) (5.9 kg.)

Compliance:

UL 1203 & 1638
 NEMA 4X

SUPER EXPLOSION PROOF STROBES



The Super Explosion Proof family of double flash UL listed strobe lights are designed for operation in hazardous areas rated by the NEC as Class I, div 1 & 2 Group C & D and Class II, div. 1 & 2, Group E, F, & G and Class III, div. 1 & 2. They also meet NEMA standards 3, 4, 4X, 7CD and 9EFG, and are marine rated for use in salt water environments. Lens Colors: Amber, Blue, Clear, Green, Purple and Red.

Design features include a housing made of die cast high strength copper-free aluminum alloy with a baked powder epoxy finish, stainless steel hardware, O-ring sealed prestressed glass globe with double pitch acme threads for smooth assembly and ease of maintenance, a flash synchronizing circuit, and an optional guard which need not be removed for relamping. 3/4" conduit hubs are standard.

ORDERING INFORMATION

Model No.	Description	Voltage
7120BEP-FM	Flange Mount 3/4" hub	120 VAC
7024BEP-FM	Flange Mount 3/4" hub	12/24 VDC
7120BEP-PM	Pendant Mount 3/4" hub	120 VAC
7024BEP-PM	Pendant Mount 3/4" hub	12/24 VDC
7120BEP-WM	Wall Mount 3/4" hub	120 VAC
7024BEP-WM	Wall Mount 3/4" hub	12/24 VDC

Options	
EPG	Guard

SYNCHRONIZING SPECIFICATIONS

SYNCHRONIZING CIRCUIT CONNECTION: This is a low voltage, low power customer connection which requires one 22 ga twisted pair run between each light. Max length between furthest lights is 3000 feet. Up to 100 lights of different voltages can be synchronized.

SYNCHRONIZING CIRCUIT FEATURES: Each light contains its own flash rate timing circuit which operates the lamp automatically and a bi-directional synchronizing circuit which overrides the internal timing circuit when connected to another light.

When two or more lamps are synchronized together, failure of any lamp will not prevent other lamps from operating.

Lights may be operated from different power sources, that is a 120 VAC unit may be synchronized with a 12 VDC unit.

SPECIFICATIONS

Lamp Type	
6001 Xenon Strobe Lamp	
Voltage and Amperage	
120 VAC 60 Hz	Draws 0.4 A avg. (2.3 A max)
12/24 VDC	Draws 4.0/2.0 A avg. (8.0 A max)

Power Supply Output 26 Watts	
AC Units	DC Units
20 joules 1st flash	20 joules 1st flash
20 joules 2nd flash	20 joules 2nd flash

Flash Rate	40 Flashes per minute
-------------------	-----------------------

Intensity	Clear	2000 Candela eff.
	Amber	1700 Candela eff.
	Blue	900 Candela eff.
	Red	400 Candela eff.
	Green	700 Candela eff.

Size and Weight	14.5" Tall X 8.75" Dia. 13 lbs.
	(368 mm) (222 mm) (5.9 kg.)

Compliances:	UL 1203 & 1638
---------------------	----------------

DIVISION 2 HAZARDOUS LOCATION STROBES



MICROSTROBE® DIVISION 2 UL LISTED

The Model 490S-1280T and 490S-120T strobe light are UL listed for use in Class I & II, Division 2 hazardous locations. These units have a Lexan lens and base, polyurethane potted power supplies and are suitable for outdoor use in NEMA 4 locations. They may be operated in any position and feature a 1/2" pipe mount. UL Listed for Class I, div 2 Groups A, B, C, & D. Class II, div 2, Groups F & G.

SPECIFICATIONS

• Intensity

CLEAR	50 Candela
AMBER	40 Candela
BLUE	20 Candela
RED	10 Candela
GREEN	20 Candela

- 60 to 80 Flashes per Minute
- 1.75 joule power supply, 60-80 FPM
- Temp Code: Class I T2C 230° C. Do not install where the operating temperature exceeds the ignition temperature of the hazardous atmosphere.
- -40 Degree C to +55 Degree C
- 5" tall X 3" dia., 0.6 lbs.
- Model 490S-120T has built-in triac to prevent false operation from snubber leakage current caused by switching on and off from a solid state relay.

• TEN YEAR WARRANTY

490S-1280T	12-80 VDC 0.4 A/12 VDC
490S-120T	120 VAC 0.04 A/120 VAC
5001	Flashtube
470S-L	Lens (specify color)

HEAVY DUTY DIV. 2 STROBES UL LISTED

The hazardous area group of strobes UL Listed for CLASS I DIV. 2 GROUP A, B, C & D. CLASS II DIV.2 GROUP F & G. CLASS III DIV. 2. These units feature cast aluminum construction, tempered glass lenses and are suitable for outdoor use. Unique power supply design provides 120 thru 240 VAC and 12 thru 74 VDC input voltage.

SPECIFICATIONS

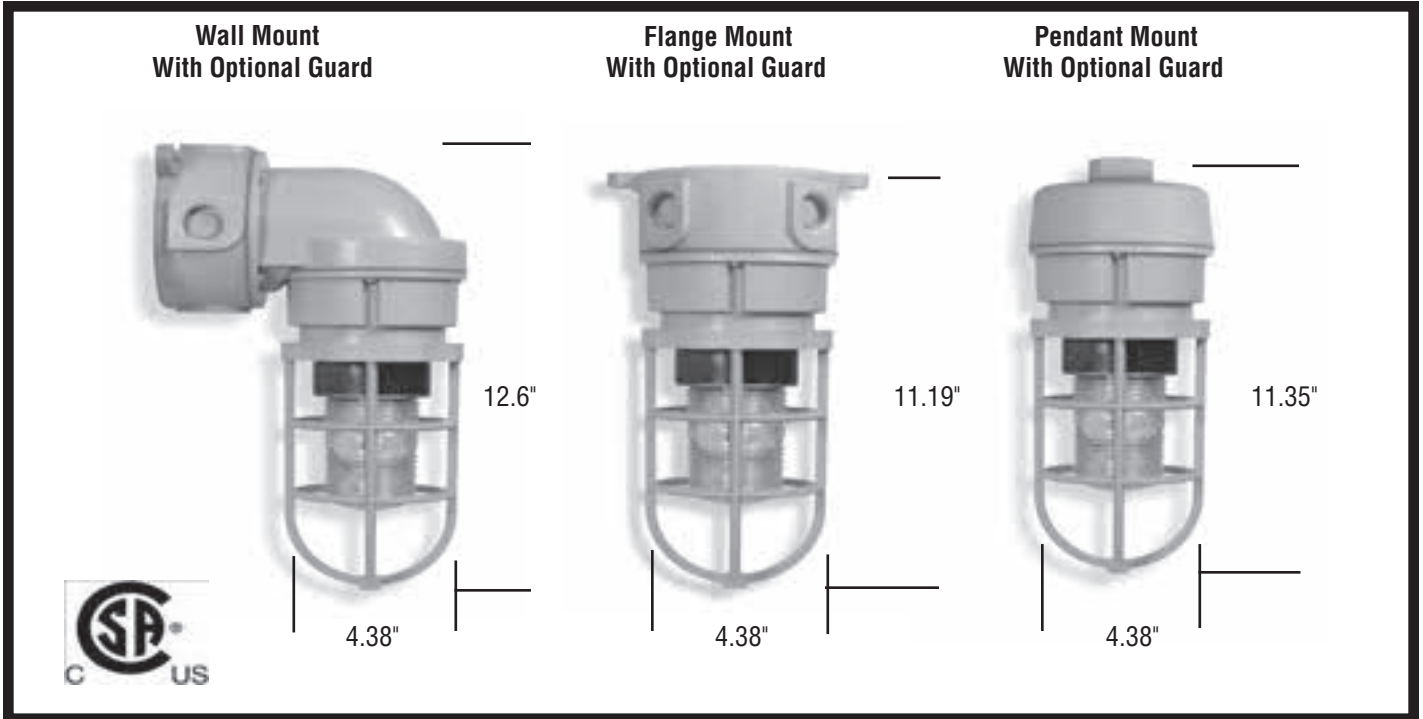
• Intensity

CLEAR	80 Candela
AMBER	60 Candela
BLUE	40 Candela
RED	25 Candela
GREEN	30 Candela

- 8 joule power supply
- 75 Flashes per minute
- Temp Code: Class I T2A 280° C, Class II T6 85° C. Do not install where the operating temperature exceeds the ignition temperature of the hazardous atmosphere.
- 3/4" pendant mount
- -40 Degree C to +55 Degree C
- 8.5" tall X 5.4" dia., 3.2 lbs

• TWO YEAR WARRANTY

4375-1274	12-74 VDC 1.31 A/12V
4375-120	120-240 VAC 0.2 A/120 V
2001	Flashtube
4375-L	Lens (specify color)



Tomar Electronics introduces the Model 4000X family of Hazardous Location Div. 2 Strobe Lights engineered to perform in the harshest environments. Constructed of 30% glass-filled thermo-set polyester, it is particularly well suited for installations in corrosive, wet NEMA 4X harsh environments, and hazardous locations. The high strength FRP material is resistant to the corrosive effects of most chemicals, hydrocarbons and solvents.

Typical applications include manufacturing plants, chemical and petrochemical processing facilities, sewage treatment plants, offshore and dockside installations, agricultural, commercial, industrial, mining and marine facilities.

Totally non-metallic, these warning lights are fully potted in urethane material with no exposure to high voltage possible. NEMA 4X rated in any mounting configuration - base up, down or side positions.

Unique mounts allow for Pendant, Flange or Wall mount installations. Buy just the mounting style you need. Optional dome guard is also available.

- Class I, div. 2 groups A, B, C & D
- Class 1, Zone 2, groups IIC, IIB, IIA
- Class II Div. 2 groups F & G, Class III
- CSA Enclosure Type 4X, IP66
- NEMA 4X, Marine Rated
- 10 year warranty on Power Supply
- 10,000 hour strobe tube
- Sealed construction
- 6 Lens Colors: Amber, Blue, Clear, Green, Purple & Red.
- 5001 Xenon Strobe Tube, 80 Flashes per Minute
- Temperature Range: -40C to +85C, Temp Code: T12
- Voltage/Amps: 400mA @ 12 VDC, 200mA @ 24 VDC, 040mA @ 120 VAC, 020mA @ 240 VAC

ORDERING INFORMATION

Model No.	Description	Voltage
4024X	Xenon Strobe Body Only	12-80 VDC
4120X	Xenon Strobe Body Only	120 VAC
4240X	Xenon Strobe Body Only	240 VAC

Available Mounts & Guard Options

NVP	Pendant Mount
NVF	Flange/Ceiling Mount
NVW	Wall Mount
NVG	Dome Guard

SPECIFICATIONS



to the following standards

- UL 1598 Standard for luminaires
- UL 1598A Marine luminaires
- UL 844 Standard for lighting fixtures for hazardous locations
- UL 1638 Standard for visual signalling applications
- CSA C22.2 no. 137-M1981 electric luminaires for use in hazardous locations
- Enclosed and gasketed, NEMA 3, 4X, IP66



Surface Mount

1/2" Male Pipe Thread

1/2" Pipe Mount Hub

Tomar introduces a totally new LED warning Light. The MicroLert offers unique features not before seen in industrial signalling devices. It is the first such light designed from the ground up to take advantage of LED lighting technology.

MicroLert features an integral inverted cone design to provide full 360 degree coverage. The MicroLert lens is engineered for maximum light output and color clarity, and allows more of the LED light to be projected out than do conventional Fresnel lenses.

The tough Lexan Lens is spun welded to the base to completely seal out moisture. The MicroLert is UL listed and manufactured to NEMA 4X specification. It is available in five LED colors (amber, blue, green, red and white; and in steady burn and flashing models.

The MicroLert will operate over wide AC and DC input Voltage ranges. The DC version is designed to operate from 10-100 VDC and 16-36 VAC; the AC version from 85-265 VAC. The MicroLert is guaranteed against factory defects for a full 5 years.

SPECIFICATIONS

- 5 year warranty
- High Power LED
- NEMA 4X
- UL Listed
- Wide AC and DC input voltages
- 5 LED colors
- Lexan Lens
- Steady on or flashing
- Surface, Pipe or Thread mounts
- Sealed construction - NEMA 6P capable
- Lamp Type - LED
- Size: 3" diameter X 2 1/2" High
- Voltage and Amperage

24 VDC	198 mA for Single Flash
120 VAC	040 mA for Single Flash
240 VAC	020 mA for Single Flash

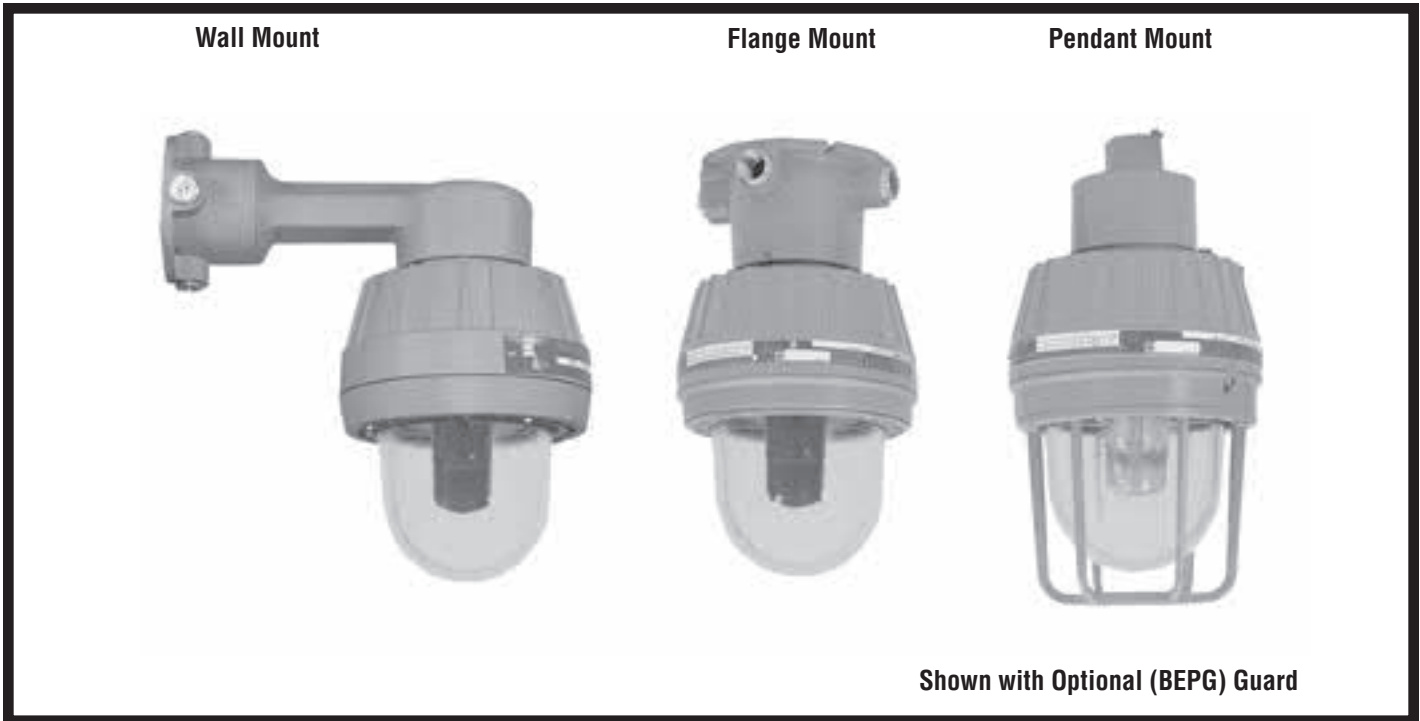
FLASHING MODELS

270LF-12-80	12-80 VDC Surface Mount LED
290LF-12-80	12-80 VDC 1/2" Pipe Mount LED
290LF-120-240	120-240 VAC 1/2" Pipe Mount LED
295LF-12-80	12-80 VDC 1/2" Male Thread LED
295LF-120-240 VAC	120-240 VAC 1/2" Male Thread LED

STEADY ON MODELS

270LS-12-80	12-80 VDC Surface Mount LED
290LS-12-80	12-80 VDC 1/2" Pipe Mount LED
290LS-120-240	120-240 VAC 1/2" Pipe Mount LED
295LS-12-80	12-80 VDC 1/2" Male Thread LED
295LS-120-240	120-240 VAC 1/2" Male Thread LED

SERIES 3000 LED EXPLOSION PROOF SIGNAL LIGHTS



Tomar Electronics introduces the Model 3000 family of LED Explosion Proof Lights. These warning Lights are UL Listed for Class 1, Division 1, Groups C & D; Class 2, Division 1, Groups E, F & G; Class 1, Division 2, Groups A & B; and Class 3. They are available in six LED colors (Amber, Blue, Green, Magenta, Red and White)

Tomar's Explosion Proof LED lights feature a unique thermal management system that utilizes internal cooling fins to draw heat away from the LEDs. This allows for longer lamp life and more consistent light output. All electronics and LEDs are guaranteed against manufacturing defects for a full five years.

An internal switch allows for easy selection among steady-burning, single or double flash mode. Each light will operate over a wide AC and DC input voltage range. The DC version is designed to operate from 10-36 VDC; the AC version from 120-240 VAC.

The 3000 Family series are constructed to NEMA 4X standards and are marine rated for use in salt water environments. Design features include housing made of die cast high strength copper-free aluminum alloy with baked powder epoxy finish, stainless steel hardware, O-ring sealed prestressed glass dome with double pitch acme threads for smooth assembly and ease of maintenance.

ORDERING INFORMATION

Model No.	Description	Voltage
3024XLP	Pendant Mount 3/4" hub	10-36 VDC
3124XLP	Pendant Mount 3/4" hub	120-240 VAC
3024XLF	Flange Mount 3/4" hub	10-36 VDC
3124XLF	Flange Mount 3/4" hub	120-240 VAC
3024XLW	Wall Mount 3/4" hub	10-36 VDC
3124XLW	Wall Mount 3/4" hub	120-240 VAC

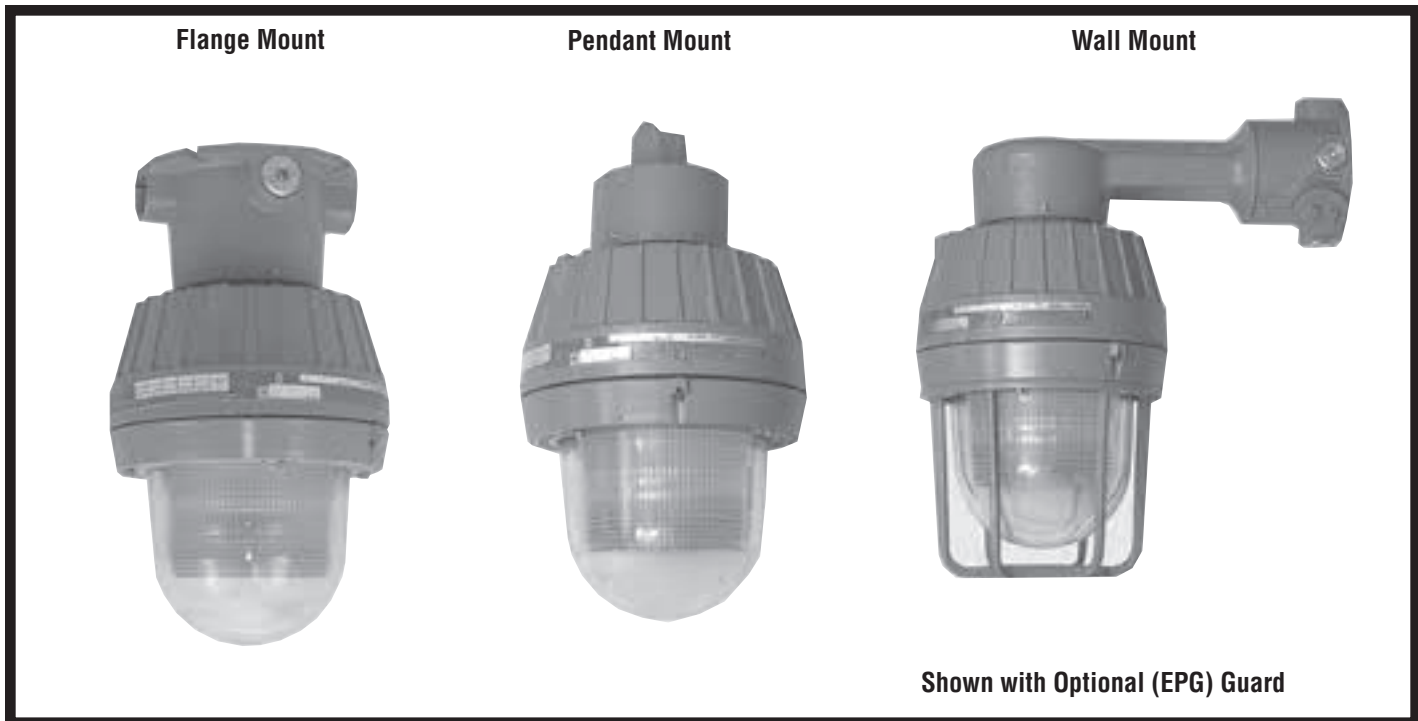
Options	
BEPG	Guard

SPECIFICATIONS

- Flash Rate - 80 single FPM, 40 double FPM
- Voltage and Amperage:
 - 167 mA @ 24 VDC for single flash
 - 033 mA @ 120 VAC for single flash
 - 017 mA @ 240 VAC for single flash
- Operating Temperature: -40 C to 85 C.
- Temperature Code: T6
- Dip switch selectable single flash, double-flash, or steady burn mode.
- Unique Thermal Management System utilizes internal cooling fins to draw heat away from the LEDs. This allows for longer LED life and more consistent light output.
- Size and Weight:
 - 13.6" Tall X 7.44" Diameter 10 lbs, 6 oz.

SERIES 7000 LED SUPER EXPLOSION PROOF SIGNAL

by Tomar Electronics



Tomar Electronics introduces the Model 7000 family of LED Super Explosion Proof Lights. These warning Lights are UL Listed for Class 1, Division 1, Groups C & D; Class 2, Division 1, Groups E, F & G; Class 1, Division 2, Groups A & B; and Class 3. They are available in six LED colors (Amber, Blue, Green, Magenta, Red and White)

Tomar's Super Explosion Proof LED lights feature a unique thermal management system that utilizes internal cooling fins to draw heat away from the LEDs. This allows for longer lamp life and more consistent light output. All electronics and LEDs are guaranteed against manufacturing defects for a full five years.

An internal switch allows for easy selection among steady-burning, single or double flash mode. Each light will operate over a wide AC and DC input voltage range. The DC version is designed to operate from 10-36 VDC; the AC version from 120-240 VAC.

The full sized 7000 Family series are constructed to NEMA 4X standards and are marine rated for use in salt water environments. Design features include housing made of die cast high strength copper-free aluminum alloy with baked powder epoxy finish, stainless steel hardware, O-ring sealed prestressed glass dome with double pitch acme threads for smooth assembly and ease of maintenance.

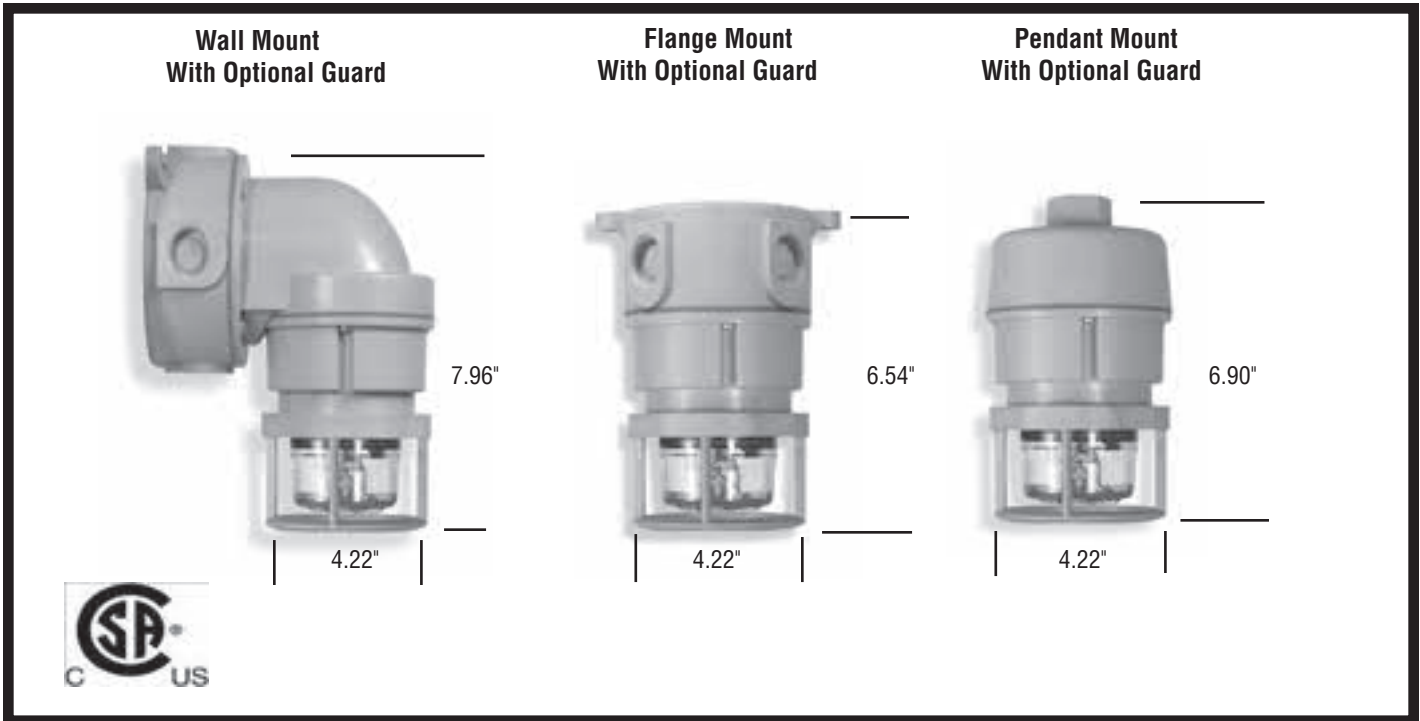
ORDERING INFORMATION

Model No.	Description	Voltage
7024XLP	Pendant Mount 3/4" hub	10-36 VDC
7124XLP	Pendant Mount 3/4" hub	120-240 VAC
7024XLF	Flange Mount 3/4" hub	10-36 VDC
7124XLF	Flange Mount 3/4" hub	120-240 VAC
7024XLW	Wall Mount 3/4" hub	10-36 VDC
7124XLW	Wall Mount 3/4" hub	120-240 VAC
Options		
EPG	Guard	

SPECIFICATIONS

- Flash Rate - 80 single FPM, 40 double FPM
- Voltage and Amperage:
 - 167 mA @ 24 VDC for single flash
 - 033 mA @ 120 VAC for single flash
 - 017 mA @ 240 VAC for single flash
- Operating Temperature: -40 C to 85 C.
- Temperature Code: T6
- Dip switch selectable single flash, double-flash, or steady burn mode.
- Unique Thermal Management System utilizes internal cooling fins to draw heat away from the LEDs. This allows for longer LED life and more consistent light output.
- Size and Weight:
 - 14.5" Tall X 8.75" Diameter 13 lbs.

SERIES 2000XL Div.2 HAZARDOUS LOCATION LED



Tomar Electronics introduces the Model 2000XL family of Hazardous Location Div. 2 LED Lights engineered to perform in the harshest environments. Constructed of 30% glass-filled thermoset polyester, it is particularly well suited for installations in corrosive, wet NEMA 4X harsh environments, and hazardous locations. The high strength FRP material is resistant to the corrosive effects of most chemicals, hydrocarbons and solvents.

Typical applications include manufacturing plants, chemical and petrochemical processing facilities, sewage treatment plants, offshore and dockside installations, agricultural, commercial, industrial, mining and marine facilities.

Totally non-metallic, these warning lights are fully potted in urethane material with no exposure to high voltage possible. NEMA 4X rated in any mounting configuration - base up, down or side positions. Unique mounts allow for Pendant, Flange or Wall mount installations. Buy just the mounting style you need or install directly onto approved panel surface. Optional dome guard is also available.

Available in either flashing or steady burn mode, this model will operate over a wide AC and DC input voltage range. The DC version operates from 10-100 VDC, and 16-36 VAC, and the AC version from 85-265 VAC.

- Class I, div. 2 groups A, B, C & D
- Class 1, Zone 2, groups IIC, IIB, IIA
- Class II Div. 2 groups F & G, Class III
- CSA Enclosure Type 4X, IP66
- NEMA 4X, Marine Rated
- 5 year warranty
- Sealed construction
- 5 Lens Colors: Amber, Blue, Green, Red & White.
- Temperature Range: -40C to +85C Code: T6
- Conduit Hubs: all 3/4 NPT
- 200 mA @ 24 VDC Flashing / 400 mA Steady Burn
- 040 mA @ 120 VAC Flashing / 085 mA Steady Burn
- 020 mA @ 240 VAC Flashing / 045 mA Steady Burn

ORDERING INFORMATION

Model No.	Description	Voltage
2024XLF	Flashing LED Body Only	12-80 VDC
2124XLF	Flashing LED Body Only	120-240 VAC
2024XLS	Steady Burn LED Body Only	12-80 VDC
2124XLS	Steady Burn LED Body Only	120-240 VAC

Available Mounts & Guard Options

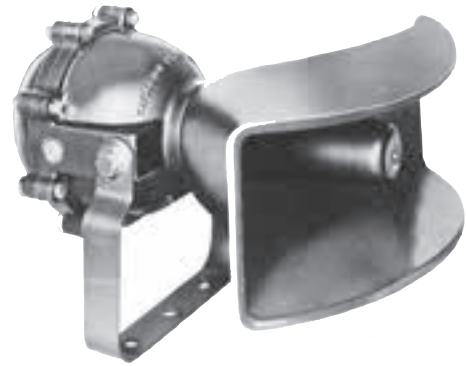
NVP	Pendant Mount
NVF	Flange/Ceiling Mount
NVW	Wall Mount
NVGM	Compact Dome Guard

SPECIFICATIONS



to the following Standards

- UL 1598 Standard for luminaires
- UL 1598A Marine luminaires
- UL 844 Standard for lighting fixtures for hazardous locations
- UL 1638 Standard for visual signalling applications
- CSA C22.2 no. 137-M1981 electric luminaires for use in hazardous locations
- Enclosed and gasketed, NEMA 3, 4X, IP66



POWER ALARM® PROGRAMMABLE MULTI-SOUND INDUSTRIAL SIGNALS

The POWER ALARM® siren is a heavy duty industrial audible alarm designed to operate under adverse industrial conditions such as shock, vibration, or transient voltage surges. The models 1000 and 1100 POWER ALARMS are supplied with a plug-in single channel programmable sound module that generates 8 different rotary switch selectable sounds plus 4 additional sounds that can be selected remotely by customer switch. Remote feature requires RJ45-6 remote control cable. See chart below for details.

- 120 db at 4 ft.
- NEMA 4 circuitry enclosure.
- 100% all metal speaker, weatherproof construction.
- Speaker and plug-in programmable sound module included.
- -55 to + 60 degree C temperature range.

8" tall X 6" wide X 3" D enclosure
10 1/2" L X 19 1/2" tall X 10" W speaker, 15 lbs. Total.

Model Number	Voltage/Amps
1000-120	120/240 AC, .5/.25
1100-12/24	12/24 DC, 0.7
1100-250	250 DC, 0.25

PARTS & ACCESSORIES ("/" factory installed options)

- MULTISOUND** Multi-Sound plug-in module
- 1001** Speaker
- 1000-PCB** 120 VAC printed circuit board
- 1100-PCB** 250 VDC printed circuit board
- 1100-PCB-12/24** 12/24 VDC printed circuit board
- /SSA** NEMA 4 stainless steel enclosure
- RJ45-6** Remote Control Cable

EXPLOSION PROOF POWER ALARM® PROGRAMMABLE MULTI-SOUND SIGNAL

The single sound channel EXPLOSION PROOF POWER ALARM® is a solid state audible device with a hard wired single channel programmable sound module that generates 8 different rotary switch selectable sounds plus 4 additional sounds that can be selected remotely by customer switch. Remote feature requires RJ45-6 remote control cable. See chart below for details.

UL listed for Class I, Groups C & D. Class I, Div. 2, Groups A, B, C & D. Class II, Div. 2, Groups F & G. Gasketed for outdoor application.

Features include:

- 117 db at 4 ft, 109 db at 10 ft.
- 120 X 60 degree sound dispersion.
- Weatherproof construction, fiberglass horn & cast aluminum housing
- -55 to + 85 degree C temperature range
- NEMA 4X Marine rating.

14"W X 6" Tall X 17 1/2"L, 24 lbs.

Model Number	Voltage/Amps
1002WEP-120	120 VAC, 0.2
1002WEP-240	240 VAC, 0.1
1002WEP-24	24 VDC, 0.8
1001-WEP	EP Speaker w/o circuitry
RJ45-6	Remote Control Cable

Multisound Siren Module Standard Rotary Switch Single Tone Selection Chart RJ45-6 Remote Control Cable Selections				
Switch Selection	Operation	Remote Control	Operation	Priority
0	Selects Remote Control Operation	Orange Wire	Horn - Steady	1
1	8 Tone Parade Sequence	Black Wire	Two-Tone - Alternating	2
2	Wail - Conventional Siren	Red Wire	Yelp - Rapid Siren	3
3	Yelp - Rapid Siren	Gray Wire	Wail - Conventional Siren	4
4	Two-Tone - Alternating			
5	Whoop - Ascending Low-High			
6	Yeow - Descending High-Low			
7	Horn - Steady			
8	Beep - Slow Intermittent Horn			
9	Stutter - Rapid Intermittent Horn			

STATUS LIGHT, HORNS, SIRENS & BELLS



STATUS LIGHT

Up to 100 Watt incandescent status or indicator light. (Non-Flashing)

- Weatherproof Cast Aluminum
- Heat Resistant Glass Lens

7 1/2" Tall X 5 1/2" dia. 3.5 lbs

LF009 Status Light (specify color)
140030 Guard



HORNS

Weatherproof resonant grill type horns ideally suited for industrial signalling applications where high sound, low current draw and dependable operation are essential.

- UL Listed.
- 87 db @ 10 ft.
- Color is Gray

31T-115-S 120 AC, 160 mA

Accessories:

BB-S Indoor Surface Back Box
WBB-S Weatherproof Back Box



STROBE-BELL COMBINATION

To enhance the bell tone signal a flashing strobe has been combined with a 6" bell and integrated on a single mounting plate for indoor applications.

- UL listed.
- Gray is standard, optional red color for housing and bell.
- Horizontal or vertical strobe position.

SBH-120 120 AC Strobe/Bell with 6" vibrating bell and horizontal 15 cd strobe

- 15 cd (candela) is standard, available in 15/75 cd
- 6" is standard bell size, available in 4", 5", 8" & 10"
- Vibrating is standard, single stroke bells available



STROBE HORNS

The strobe horn has the same specifications as the standard resonant grill horn, except for the addition of a flashing strobe light.

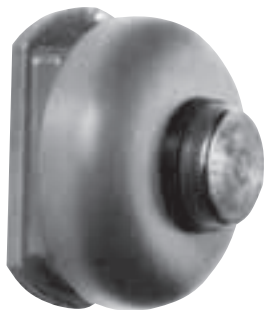
- 95 db @ 10 ft. UL Listed.
- White is standard, Red is available

MT4-115-WH-VNS 120 AC

- Current Draw (Strobe): 70 mA @120 AC,
- 15/75 cd (candela) is standard, 30/75, 60/75, 75 & 110 are available
- Strobe and Horn can be operated together or separately.

Accessories:

BB-S Indoor Surface Back Box
WBB-S Weatherproof Back Box



FLASHER-BELL COMBINATION

The Flasher/Bell is designed for heavy-duty interior and exterior applications with a choice of AC or DC Models. The added feature of a flashing incandescent lamp will enhance the audio bell tone signal.

1035 120 VAC 4" Vibr, .10A
1233 12 VDC 4" Vibr, .34A
1234 24 VDC 4" Vibr, .20A
1034 24 VAC 4" Vibr, .40A
2035 120 VAC 6" Vibr, .34A
2233 12 VDC 6" Vibr, .34A
2234 24 VDC 6" Vibr, .20A
2034 24 VAC 6" Vibr, .40A

2045 120 VAC 6" puls, .10A
2243 12 VDC 6" Puls, .34A
2244 24 VDC 6" Puls, .20A
2044 24 VAC 6" Puls, .40A
-WP Weatherproof Housing



MULTI-TONE SIGNAL

The Multi-Tone Electronic Signal is field selectable to provide eight distinct tones, with optional flashing strobe light. UL Listed.

- 91-97 dba @ 10 ft.
- White is standard, Red is available

Horn, bell, chime, siren, slow whoop, temporal, hi-lo, & single stroke bell.

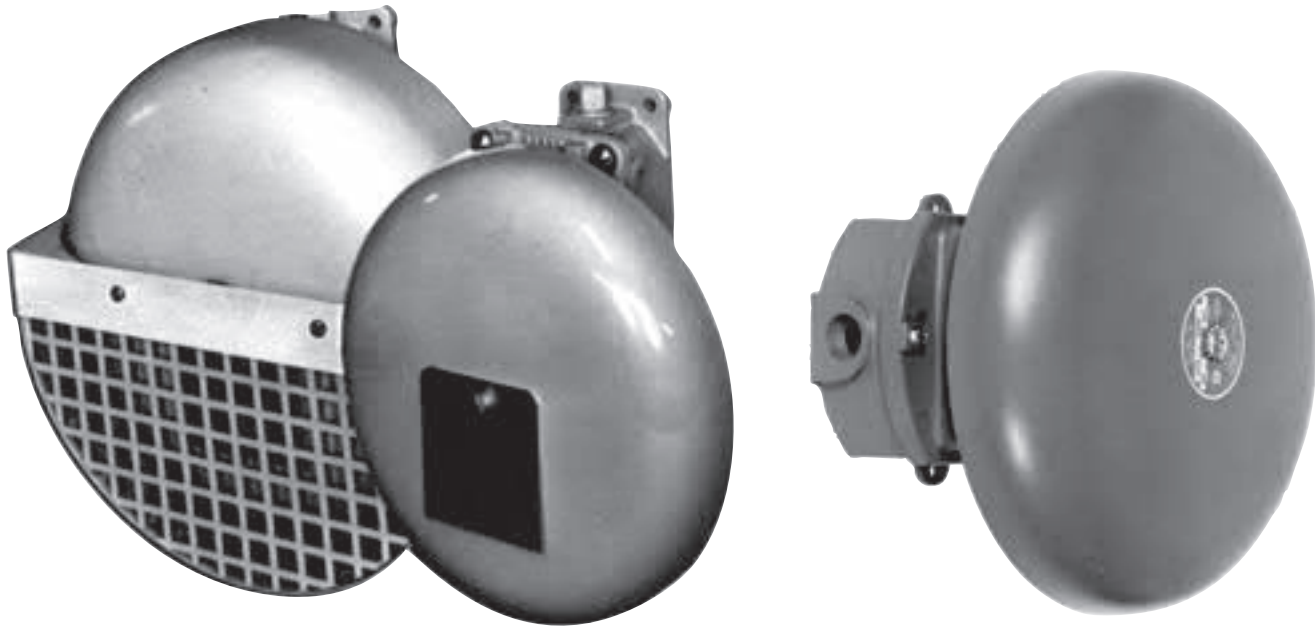
- 15/75 cd (candela) is standard, 30/75, 60/75, 75 & 110 are available
- Current Draw: Horn varies depending upon tone chosen, Strobe = 59 mA
- Strobe and Horn can be operated together or separately

MT4-12/24-S 12/24 DC, 8 Tone Horn w/o strobe
MT-241575W-NW 24 DC, 8 Tone Horn with 15 cd strobe
MT4-115-S 115 VAC 8 Tone Horn w/o strobe

Accessories:

10B-W Surface Back Box for MT Series
BB-S Indoor Surface Back Box for MT4 and 31T Series
WBB-S Weatherproof Back Box for MT4 & 31T Series

EXPLOSION PROOF BELLS & AC DC BELLS



EXPLOSION-PROOF BELLS

Rugged, reliable cast construction features hinged cover, cast back box for surface mounting with 1/2" threaded conduit entrances on top and bottom of housing and protective hood and guard for outdoor models.

UL listed for Class I, groups B, C & D. Class II, groups F & G.

CVX10-115AC-S Vibrating Indoor 10" Bell, 115 VAC, .22A, 90 db @ 10'

CVXG10-115AC-S Vibrating Outdoor 10" Bell, 115 VAC, .22A, 90 db @ 10'

CSX10-115AC-S Single Stroke Indoor 10" Bell, 115 VAC, .125A, 87 db @ 10'

CSXG10-115AC-S Single Stroke Outdoor 10" Bell, 115 VAC, .125A, 87db @ 10'

CSX10-24DC-S Single Stroke Indoor 10" Bell, 24 VDC, .5A, 87db @ 10'

CSXG10-24DC-S Single Stroke Outdoor 10" Bell, 24 VDC, .500A, 87db @ 10'

AC & DC UL LISTED BELLS

Heavy Duty, vibration resistant bells feature easy to install unique back plate that attaches to the conduit box without removing the gong.

1005 4" 120 VAC Indoor Vibrating - pig tail - .09 amps

2005 6" 120 VAC Indoor Vibrating - pig tail - .09 amps

1003 4" 12 VAC Indoor Vibrating - pig tail - .8 amps

1004 4" 24 VAC Indoor Vibrating - pig tail - .35 amps

1105 4" 120 VAC Indoor Single Stroke - pig tail - .36 amps

1203 4" 12 VDC Indoor Vibrating - pig tail - .45 amps

2204 6" 24 VDC Indoor Vibrating - pig tail - .20 amps

2025 6" 120 VAC Outdoor Vibrating - .09 amps

2223 6" 12 VDC Outdoor Vibrating - .45 amps

2224 6" 24 VDC Outdoor Vibrating - .20 amps

3025 8" 120 VAC Outdoor Vibrating - .09 amps

3223 8" 12 VDC Outdoor Vibrating - .45 amps

3224 8" 24 VDC Outdoor Vibrating - .20 amps

3226 8" 240 VDC Outdoor Vibrating - .03 amps

MODERATE dba FOR LIFT TRUCKS



The "moderate dba" family features "heavy duty" construction and multi-voltage inputs. Model "AA" has self-adjustable sound level = 5db above surrounding noise. SAE J994

- 60 BPM
- Positive or negative ground
- Weatherproof
- Universal mounting
- Fiberglas reinforced nylon housing
- Temperature range -40F to + 185F

1020-1248 12-48 VDC 102 db
9700 12-48 VDC 97 db SAE C
AA97 12-48 VDC 77-97 db Self-adjustable sound

- Size: 2.6"H X 4"W X 1.6" D
3" to 3.25" centers .5 lbs.

107 dba MODELS



Heavy duty construction 107 dba backup alarms for mobile equipment features multivoltage, weatherproof housing and "AA" self-adjusting sound level = 5db above surrounding noise.

- 60 BPM
- Positive or Negative Ground
- Universal Mounting
- * Temperature range -40F + 185F

1070-1248 12-48 VDC 107 db
AA107-1248 12-48 VDC 82-107 db self-adjusting

- Size: 3.2" H X 5.2" W X 2.88" D
4" X 4.375" centers 1 lb

112 dba MODELS



- Model "AA" Self-Adjustable sound level = 5 db above surrounding noise
- Universal mounting bracket
- Weatherproof
- Fiberglas reinforced nylon housing

1120-1248 12-48 VDC 112 db
AA112-1248 12-48 VDC 87-112 db self-adj sound

- Size: 3" H X 5" W X 3.75" D
2" X 4" centers 1.4 lbs

SIRENS

AC/DC Motor Driven Sirens & Multitone Electronic Signals



MOTOR DRIVEN SIREN

These motor driven sirens are an ideal choice for all heavy duty applications. Designed to operate under the day-to-day conditions of steel mills, motor driven sirens produce a very loud high pitched signal easily heard over surrounding noise. The fully enclosed AC/DC motor is securely mounted inside a weatherproof steel housing that includes a screen for added protection.

FEATURES

- 120 and 250 AC/DC input voltage models
- UL listed for 120 AC/DC
- Weatherproof
- 117 db @ 10 ft. (measured in free air)
- Extra heavy duty bracket suitable for mounting on overhead cranes
- Bright red epoxy powder coated finish
- Size: 15 11/32" L X 7 1/2" Dia. 11 lbs.

COMPLETE UNITS

- F-2-117-120** 120 AC/DC, 2.5 amps, 117 db, motor driven siren
F-2-117-250 250 AC/DC, 1.25 amps, 117 db, motor driven siren

PARTS

- F-120** 120 AC/DC Motor
F-250 250 AC/DC Motor
F-2-8 Mounting Bracket



COMPACT ELECTRONIC MULTITONE SIREN

Powerful, heavy duty electronic siren in a compact package, the E-4 offers 113 DB at ten feet and thirty two distinct sounds, including ISO certified and country specific warning sounds. All sounds can be obtained from a two wire supply. When versatility is a must, the E-4 is at home in a wide range of industrial, office, hotel and many other emergency signalling environments.

FEATURES:

- 113 DB @ 10 ft. Adjustable from 83-113 DB.
- 32 different sounds. (see below)
- Red finish 3 5/8" high X 3 5/8" wide X 2 8/9" deep made of ABS Plastic.
- Can be mounted with supplied base or with optional 4 X 4 electrical box.
- .015 amps @ 110 VAC, .008 amps @ 220 VAC.
- .06 amps @ 12 VDC, .03 amps @ 24 VDC
- Weatherproof if ceiling or wall mounted

SOUNDS:

Number	Description	Number	Description
1	Banshee LF Buzz	2	Banshee Fast Sweep
3	Banshee Slow Sweep	4	Banshee Continuous
5	Banshee Fast Sweep (new)	6	Medium Sweep
7	Continuous	8	Back Up Alarm
9	Alternate	10	Medium Sweep
11	Alternate	12	Bedlam Buzz
13	Bedlam Fast Sweep	14	Bedlam Slow Sweep
15	Bedlam Continuous	16	Banshee HF fast Sweep
17	Back Up Alarm HF	18	Alternate HF
19	Slow Whoop	20	Din Tone
21	French Fire Sound	22	Australian Alert Sound
23	Australian Evacuation Signal	24	US Temporal Tone
25	US Temporal Tone	26	Swedish Tone (fire)
27	Swedish Tone (all clear)	28	ISO 8201 LF
29	ISO 8201 HF	30	BT Banshee FP 1063.1
31	BT Banshee FP 1063.1	32	Bell Tone

E-4-AC 110 or 220 AC Multitone Electronic Signal

E-4-DC 9 to 30 DC Multitone Electronic Signal

MISCELLANEOUS SIGNALS & STOP AND GO LIGHTS



REVOLVING VEHICLE LIGHT

- Twin sealed beam 35,000 CP
- 90 FPM
 - Weather & Corrosion resistant
- 9 1/2" tall X 8 1/2" dia. (specify color)

Note: Specify mounting for 120 VAC model: Pipe or Portable mount.

- RL120** 120 VAC
RL12 12 VDC
RL24 24 VDC



REVOLVING FORK TRUCK LIGHT

- Economical revolving light
- 90 FPM
 - 6, 12, 24, 36, 48 & 72 VDC
 - 120 VAC

7 5/8" tall X 5 5/8" dia. (Specify color)

- MV2-IND** 6 to 72 VDC (Specify volts)
MV-110 120 VAC

VERY LOW PROFILE STROBE LIGHT



This extra low profile strobe will help solve signalling applications for low clearance locations.

- 12-120 VDC, 0.25 Amps/ 2 joules per flash
- 147mm Dia. X 50mm High
- Polycarbonate Lens
- Flash Rate: 72 Flashes per minute
- Flash Pattern: Single Flash
- Colors: Amber, Blue, Clear and Red
- Available with 8 Ft. flat cord and magnetic base

- VLP-12-120** 12-120 VDC Very Low Profile Strobe
VLP-12-120M 12-120 VDC with 8 ft. flat cord and magnetic base

LED STOP & GO LIGHT



- Reduce energy costs by 90% compared to incandescent lights.
- No filament = long life & no maintenance.
- **Three year limited warranty on LED**
- Yellow or black polypropylene housing
- 12 or 24 DC, or 115 AC voltage
- Lens diameter: 4 1/2 inches
- Size: 11 3/8" H X 6 3/4" W X 3 3/4" D
- Weight: 2 lbs.
- UL & cUL Listed.
- **LED models can operate continuously due to low level of heat from LEDs.**

SG-10-115RG-LED

SG-10-12RG-LED

SG-10-24RG-LED

LED 115 VAC 0.10 amps, no flasher or switch.

LED 12 VDC 0.13 amps, no flasher or switch.

LED 24 VDC 0.13 amps, no flasher or switch.

SOLID STATE FLASHERS



Low Profile, economic, electronic incandescent flasher features solid state circuitry and low amp draw.

- 2 amps @ 12 VDC.
- Available in 12, 24, 36 and 48 DC, 120 AC
- Permanent mount standard, available in magnetic mount with cigarette lighter plug-in.
- Fresnel lens in: Red, Amber, Blue & Clear.

6 1/2" High X 5 3/8" Dia. Wt. 2 lbs

- FFLP** Solid State Flasher - specify DC Volts
FFLP-110 Solid State Flasher - 120 AC

BARRICADE FLASHER

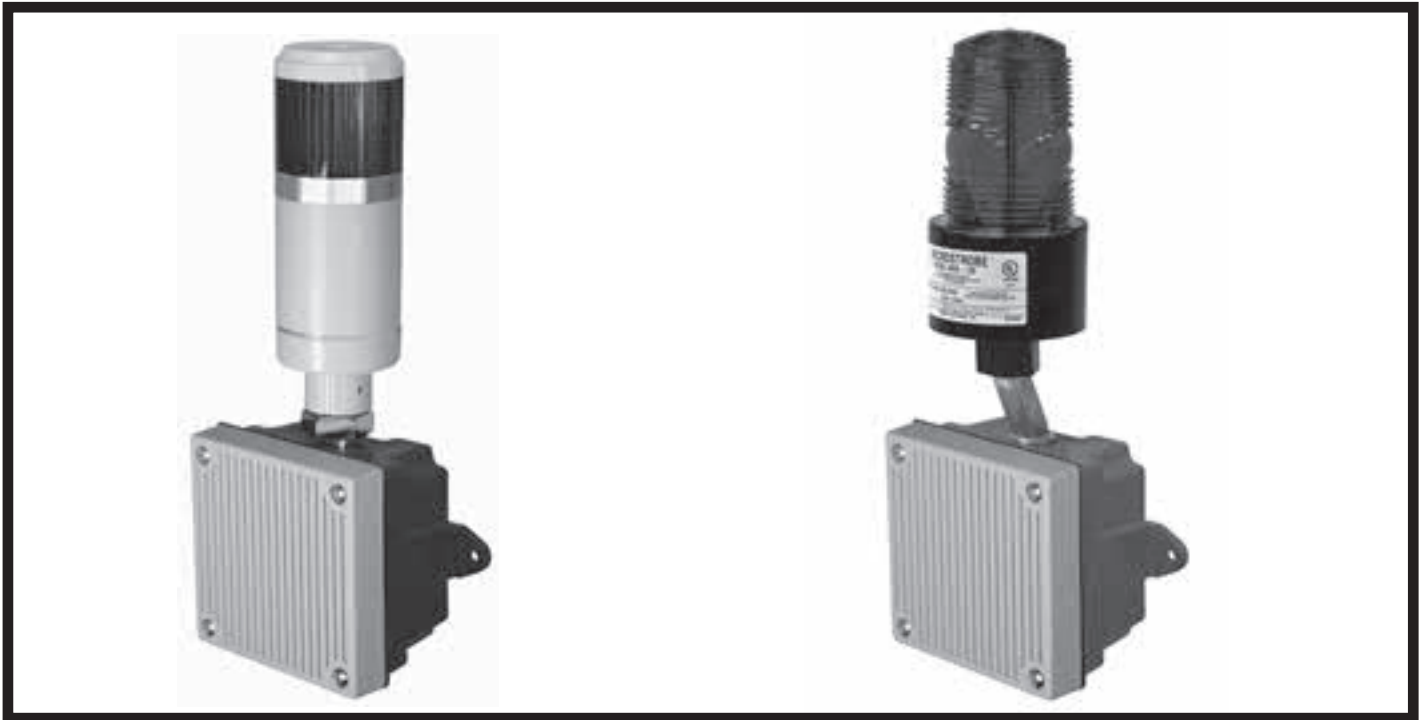


Bi-directional flasher with magnetic base option & lexan lens. (specify color)

- 7" Diameter lens

- BL-2W** 6 V w/o battery
BL-2WS same with solar switch
BL-2WMB 6 V magnetic base w/o battery
BL-2WSMB Same with magnetic base option & solar switch
460 6 VDC spring type battery (2 needed)

MULTI-TONE HORN & LED OR STROBE COMBO



120 VAC MULTI-TONE HORN AND LED COMBO

Select a model specifically for your application, with a single LED light as shown above in either a Steady-Burn or Flashing model in combination with a Multi-Tone Horn offering the following tones: Horn, Bell, March Time Horn, Code-3 Horn, Code-3 Tone, Slow Whoop, Siren, Hi/Lo - all dip switch field selectable.

The Multi-Tone Horn/LED is designed with 1/2" conduit entry at the bottom of the junction box. A small diameter LED is attached to the junction box to provide wall mounting as an option.

SPECIFICATIONS:

- Indoor or outdoor applications - suitable for wall mounting
- Horn Sound Output: 79 to 88 dBA @ 10 Feet depending on tone selection.
- Horn Current Draw: .039 to .050 amps depending on tone selection.
- Heavy duty cast aluminum junction box with two 1/2" female conduit hubs.
- Junction Box Size with Horn: 4 1/8" X 4 1/8" X 2 7/8" Deep.
- Mounting Centers: 5" (3/16" Bolt Holes).
- Long life LEDs lasting over 100,000 hours.
- 24 LEDs per red, amber, & green sections & 12 LEDs per blue and white.
- Current Draw: 20 mA @ 120 AC.
- LED Size: 57 mm Dia. X 150 mm High for one LED Section.

120-MT4-SB-LED

120 VAC Multi-Tone Horn and Steady-Burn Single LED Combo

120-MT4-F-LED

120 VAC Multi-Tone Horn and Flashing/ Steady-Burn Single LED Combo

MT4-115-S

Multi-Tone Horn

WBB-S

Back Box with 1/2" Hub on Top (use with Horn)

STL-110-1

Single Module LED Steady Burn

STLF-110-1

Single Module LED Flashing

120 VAC MULTI-TONE HORN AND STROBE COMBO

Compact Horn Strobe combo for applications requiring more flash intensity. This economical setup in combination with a Multi-Tone Horn has the following tones: Horn, Bell, March Time Horn, Code-3 Horn, Code-3 Tone, Slow Whoop, Siren, Hi/Lo - all dip switch field selectable.

The Multi-Tone Horn/Strobe is designed with a 1/2" conduit entry at the bottom of the junction box. **The strobe light used for this combination is the Tomar Brand Microstrobe.**

SPECIFICATIONS:

- Indoor or outdoor applications - suitable for wall mounting
- Horn Sound Output: 79 to 88 dBA @ 10 Feet depending on tone selection.
- Horn Current Draw: .039 to .050 amps depending on tone selection.
- Heavy duty cast aluminum junction box with two 1/2" female conduit hubs.
- Junction Box Size with Horn: 4 1/8" X 4 1/8" X 2 7/8" Deep.
- Mounting Centers: 5" (3/16" Bolt Holes)
- Microstrobe flash intensity: 1.75 joules per flash, 60-80 FPM
- Current Draw: .04 amps @ 120 VAC
- Microstrobe Size: 5" Tall X 3" Dia
- Specify Lens Color: Amber, Blue, Clear, Green, Red or Purple

120-MT4-STROBE

120 VAC Multi-Tone Horn and Microstrobe Combo

490S-120

120 VAC 1/2" Pipe Mount Microstrobe

5001

Replacement Strobe Lamp

470S-L

Replacement Lexan Lens

MT4-115-S

Multi-Tone Horn

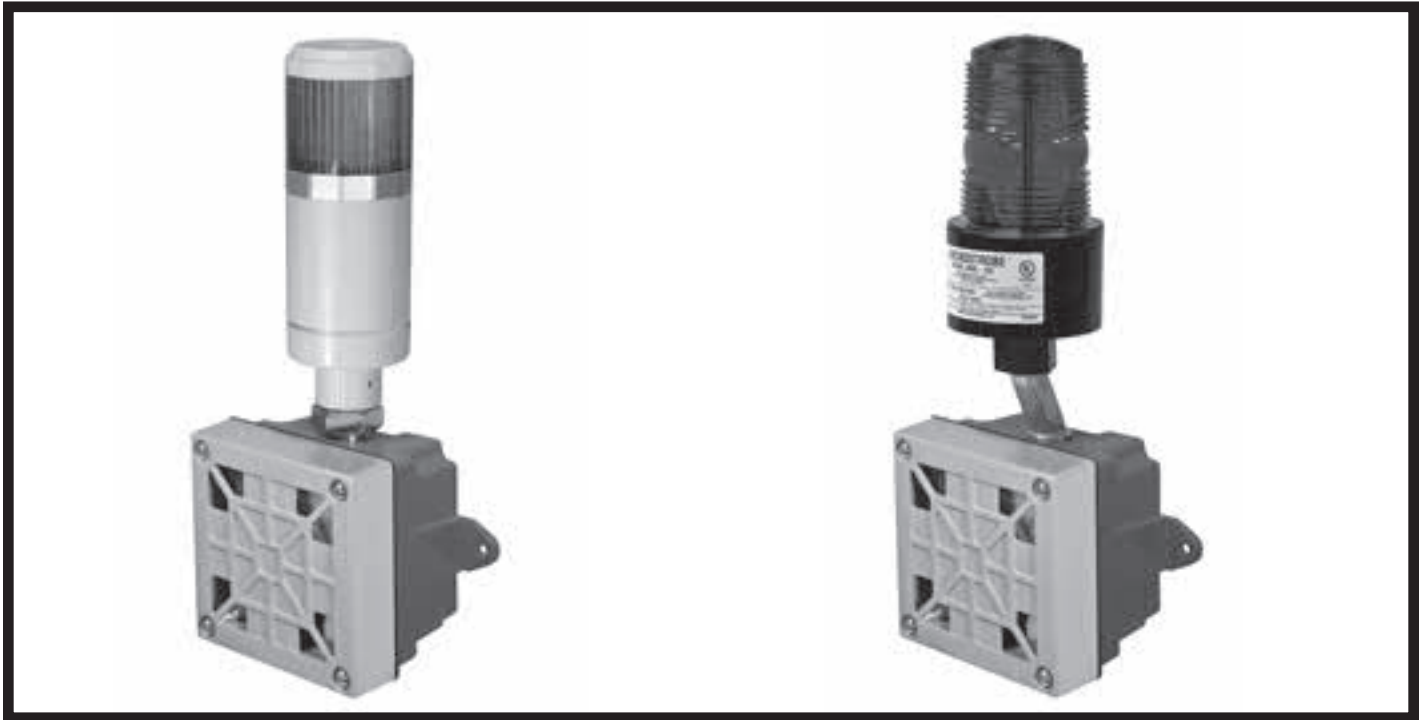
WBB-S

Back Box with 1/2" hub on top (Use with Horn only)

Contact Sales -

- For other voltages - 12 VDC and 24 VDC
- For Two or Three Stack LED Modules in either Steady-Burn or Flashing

SINGLE-TONE HORN & LED OR STROBE COMBO



120 VAC SINGLE-TONE HORN AND LED COMBO

Select a model specifically for your application, with a single LED light as shown above in either a Steady-Burn or Flashing model in combination with a Single-Tone Horn.

The Single-Tone Horn/LED is designed with 1/2" conduit entry at the bottom of the junction box. A small diameter LED is attached to the junction box to provide wall mounting as an option.

SPECIFICATIONS:

- Indoor Applications - suitable for wall mounting
- Horn Sound Output; 95 dBA @ 10 Feet.
- Horn Current Draw: .160 amps.
- Heavy duty cast aluminum junction box with two 1/2" female conduit hubs.
- Junction Box Size with Horn: 4 1/8" X 4 1/8" X 2 7/8" Deep.
- Mounting Centers: 5" (3/16" Bolt Holes).
- Long life LEDs lasting over 100,000 hours.
- 24 LEDs per red, amber, & green sections & 12 LEDs per blue and white.
- Current Draw: 20 mA @ 120 AC.
- LED Size: 57 mm Dia. X 150 mm High for one LED Section.

120-31T-SB-LED

120 VAC Single-Tone Horn and Steady-Burn Single LED Combo

120-31T-F-LED

120 VAC Single-Tone Horn and Flashing/ Steady-Burn Single LED Combo

31T-115-S

Single Tone horn

WBB-S

Back Box with 1/2" Hub on Top (use for Horn)

STL-110-1

Single Module LED Steady Burn

STLF-110-1

Single Module LED Flashing

120 VAC SINGLE-TONE HORN AND STROBE COMBO

A compact Horn Strobe combo for applications requiring more flash intensity and an outdoor weatherproof design.

The Single-Tone Horn/Strobe is designed with a 1/2" conduit entry at the bottom of the junction box. **The strobe light used for this combination is the Tomar Brand Microstrobe.**

SPECIFICATIONS:

- 100% weatherproof - suitable for wall mounting
- Horn Sound Output: 95 dBA @ 10 Feet
- Horn Current Draw: .160 amps.
- Heavy duty cast aluminum junction box with two 1/2" female conduit hubs.
- Junction Box Size with Horn: 4 1/8" X 4 1/8" X 2 7/8" Deep.
- Mounting Centers: 5" (3/16" Bolt Holes)
- Microstrobe flash intensity: 1.75 joules per flash, 60-80 FPM
- Current Draw: .04 amps @ 120 VAC
- Microstrobe Size: 5" Tall X 3" Dia
- Specify Lens Color: Amber, Blue, Clear, Green, Red or Purple

120-31T-STROBE

120 VAC Single-Tone Horn and Microstrobe Combo

490S-120

120 VAC 1/2" Pipe Mount Microstrobe

5001

Replacement Strobe Lamp

470S-L

Replacement Lexan Lens

31T-115-S

Single Tone horn

WBB-S

Back Box with 1/2" Hub on Top (Use with Horn Only)

Contact Sales -

- For Two or Three Stack LED Modules in either Steady-Burn or Flashing.
- For Weatherproof LED applications
- For other voltages - 12 VDC and 24 VDC

STROBE STATUS LIGHTS



11"H X 6"W X 36"L



10"H X 4"W X 12"L

POWER STROBE® CRANE STATUS LIGHTS

The heavy duty POWER STROBE® makes possible an overhead crane status light suitable for the day-to-day applications of steel mills. The principle of operation is simple and cost effective. The two or three light system needs only one power supply to operate the single strobe head selected. The four light system has two power supplies to operate the blue (magnet) light at the same time as one of the other strobe heads.

If you use short life fragile incandescent status lights - switch to long life vibration resistant POWER STROBE® status lights. The built-in features of the POWER STROBE® anticipates the applications of overhead cranes.

FEATURES

- 1,000,000 Peak Candle Power Flash @ 90 FPM
- Heat resistant glass lenses mounted on a NEMA 3R box
- 10,000 hour lamp life
- Reverse polarity protection - Transient line voltage protection

3200-2-X/X 120 VAC two light POWER STROBE® status light
3200-3-X/X/X 120 VAC three light POWER STROBE® status light
3200-4-X/X/X/X 120 VAC four light POWER STROBE® status light
3000-2-X/X 250 VDC two light POWER STROBE® status light
3000-3-X/X/X 250 VDC three light POWER STROBE® status light
3000-4-X/X/X/X 250 VDC four light POWER STROBE® status light
140030 Glass Lens Guard

GENERAL PURPOSE STROBE STATUS SIGNAL

The versatile MICRO STROBE makes possible a general purpose strobe status signal that can be switched individually or simultaneously in any combination from two to five lights. Each MICRO STROBE has its own power supply.

FEATURES

- 120 VAC @ 0.04 A, 12 thru 80 VDC @ 0.4 A, 12 VDC
- 250,000 Peak Candlepower @ 60 to 80 FPM
- Impact resistant Lexan lenses in amber, blue, clear, red or green
- Leakage current by-pass option (/TRIAC) for 120 VAC units
- Potted power supply option suggested for 120 VAC models for wet locations.
- All models of Microstrobes are potted.

120 VAC MODELS

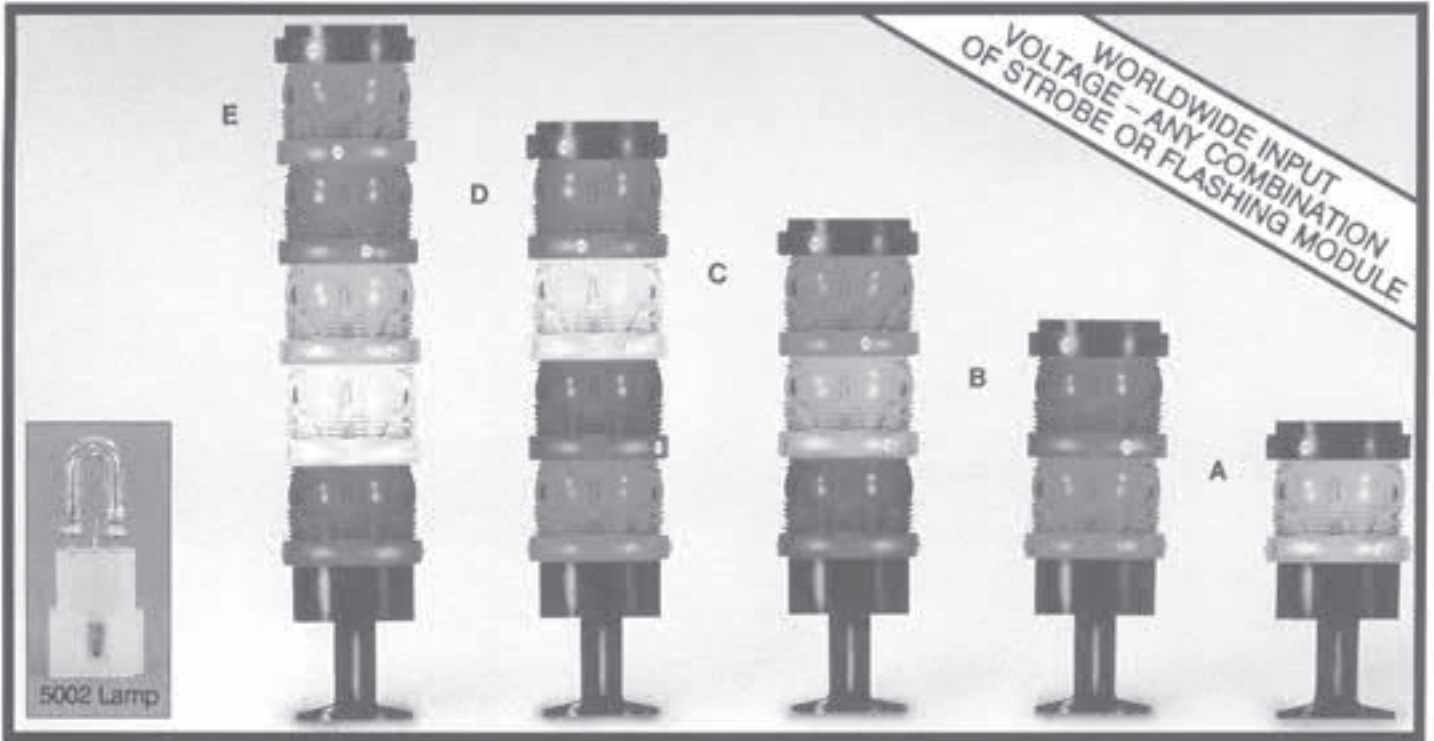
495S-120-2-X/X
495S-120-3-X/X/X
495S-120-4-X/X/X/X
495S-120-5-X/X/X/X/X

12 - 80 VDC MODELS

495S-1280-2-X/X
495S-1280-3-X/X/X
495S-1280-4-X/X/X/X
495S-1280-5-X/X/X/X/X

/TRIAC Leakage Current By-Pass

Note: Specify lens colors in place of "X" in the sequence to be mounted on the NEMA 3R box from left to right. (for both the General Purpose Status Signal and the Power Strobe Crane Status light).



The Model 440 MICROSTACK features multi-color and multi-format optical signalling using strobes and/or steady burning or flashing NEOBE lamps in any combination. NEOBE lamps are gas discharge lamps which have no filament to wear or break. All MICROSTACK modules operate over a worldwide AC input

voltage range of 85-264 VAC 50/60 Hz. They all use the same type of lamp and maintain a constant brightness and flash rate over the entire range. MICROSTACK modules separate at any level by removing two screws. All MICROSTACK modules are sealed with O-rings against dust and can be used outdoors.

ORDERING INFORMATION

The Microstack can be ordered as a preassembled unit or as components or modules.

PREASSEMBLED microstacks

Fig.	Model No.	Specify Choices
A	440-1 One Module MICROSTACK	Module Type Color
B	440-2 Two Module MICROSTACK	Steady Burn Amber
C	440-3 Three Module MICROSTACK	Strobe Blue
D	440-4 Four Module MICROSTACK	Flashing Clear
E	440-5 Five Module MICROSTACK	Green
		Red

MICROSTACK COMPONENTS

- Model No.**
- 440-BASE** Base and cover less stand
- 440-STAND** Stand for base including gasket
- 440S-X** Strobe module including lamp (specify color)
- 440SB-X** Steady burn NEOBE including lamp (specify color)
- 440FN-X** Flashing NEOBE including lamp (specify color)
- 5002** Spare lamp for NEOBE or strobe module
- 440-T16** 16" Extension Tube
- 440-T32** 32" Extension Tube

SPECIFICATIONS

Lamp Type 5002

Voltage and Amperage

85-264 VAC 50/60 Hz. 7 Watts per module

Flash Rate

60 to 80 FPM

Size

Dia. 3.32"/84 mm

Height

440-1	7.7" (196 mm)
440-2	10.0" (254 mm)
440-3	12.3" (312 mm)
440-4	14.6" (371 mm)
440-5	16.9" (429 mm)

MICROLERT STATUS LED LIGHTS



Using the versatile MicroLert LED warning lights, it's possible to assemble a Status Light Assembly suitable for a wide variety of status monitoring applications.

A typical application is the living quarters of an Oil Platform with a MicroLert LED Status Light installed to monitor gas detection equipment. One assembly does it all from a flashing red light to a steady burn green light with other colors in between either flashing or steady burning depending on the conditions monitored.

The MicroLert LED Status Light is actually an "A-La-Carte" monitoring assembly with which the user specifies the model

number and location of each MicroLert mounted on the NEMA 3R box from two to five lights. For example if a three light assembly is needed, first select the NEMA 3R box, then the LED MicroLert Lights from left to right and Maxi-Signal will assemble them as specified.

Example Below: 3 Light LED MicroLert Status Light

3-Box	3 Light NEMA 3R pre-punched box
295LF-120-R	120 AC 1/2" Male Thread flashing
295LF-120-G	120 AC 1/2" Male Thread flashing
295LS-120-A	120 AC 1/2" Male Thread Steady-on

ORDERING INFORMATION

295LF-120-240	120/240 AC 1/2" Male Flashing
295LS-120-240	120/240 AC 1/2" Male Steady Burn
295LF-1280	12-80 DC 1/2" Male Flashing
295LS-1280	12-80 DC 1/2" Male Steady Burn

2-Box	2 Light NEMA 3R Box
3-Box	3 Light NEMA 3R Box
4-Box	4 Light NEMA 3R Box
5-Box	5 Light NEMA 3R Box

Specify MicroLert Model Numbers, Lens colors and location on the NEMA 3 box from left to right.

SPECIFICATIONS

- Tough Lexan Lens spun welded to the base to completely seal out moisture. NEMA 4X
- UL Listed with wide voltage range: 85-265 AC, 10-100 DC, DC models also include 16-36 AC.
- 5 LED colors: Red, Amber, Blue, Green or White.
- Steady burn or flashing.
- 24 DC = 198 mA, 120 AC = 40 mA
- MicroLert Size: 3" diameter X 2 1/2" High.
- Nema 3R Box sizes:
 2-Box = 4" X 4" X 12" 4-Box = 4" X 4" X 24"
 3-Box = 4" X 4" X 12" 5-Box = 4" X 4" X 24"

250 DC STEADY BURN LED STATUS LIGHTS



250 DC OVERHEAD CRANE STATUS LIGHT

Using Heavy Duty Steady Burn LED male thread LED lights designed for 250 DC overhead cranes, it's possible to provide long life trouble free status lights for this rough application. Choose from a two light system up to four lights in any combination of Red, Green, Amber or Blue Steady Burn LEDs mounted on a NEMA 3R enclosure, completely raintight.

The 250 DC Steady Burn 1/2" Male Thread LED is available as a separate unit, just order part number **250-SB-MT** in one of the colors shown above.

Enclosure rated at NEMA 3R, completely raintight.

SPECIFICATIONS

- 250 DC circuitry designed to withstand overvoltage conditions and excessive vibration.
- Current draw: .017 to .021 amps.
- Voltage Range: 250 to 270 DC.
- Size: 4 light NEMA 3R box = 4" X 4" X 24"
3 light NEMA 3R box = 4" X 4" X 12"
2 light NEMA 3R box = 4" X 4" X 12"
250-SB-MT LED = 2 3/4" dia. X 6 3/8" high
- Ambient temperature -25C to +85C

250-4/R/A/G/B 4 Light 250 DC LED Status Light - R, A, G, B
250-3/R/A/G 3 Light 250 DC LED Status Light, - R, A, G
250-2/R/G 2 Light 250 DC LED Status Light, - R, G
250-SB-MT 250 DC Steady Burn LED Light - 1/2" Male Thread.
 Specify lens color - Red, Green, Amber or Blue.

250 DC STEADY BURN MEDIUM BASE LED

Replace fragile incandescent medium base bulbs with a long life vibration resistant LED Steady Burn light suitable for 250 DC overhead crane applications. Available in Red, Green, Amber or Blue lens colors.

SPECIFICATIONS

- 250 DC circuitry designed to withstand overvoltage conditions and excessive vibration.
- Current draw: .017 to .021 amps.
- Voltage range: 250 to 270 DC.
- Size: 2 3/4" dia. X 6 3/4" high.
- Ambient temperature -25C to +85C

250-SB-MSB 250 DC Steady Burn Medium Base LED Light.
 Specify Lens Color - Red, Green, Amber or Blue.

LINTERN RETRO FIT ASSEMBLY

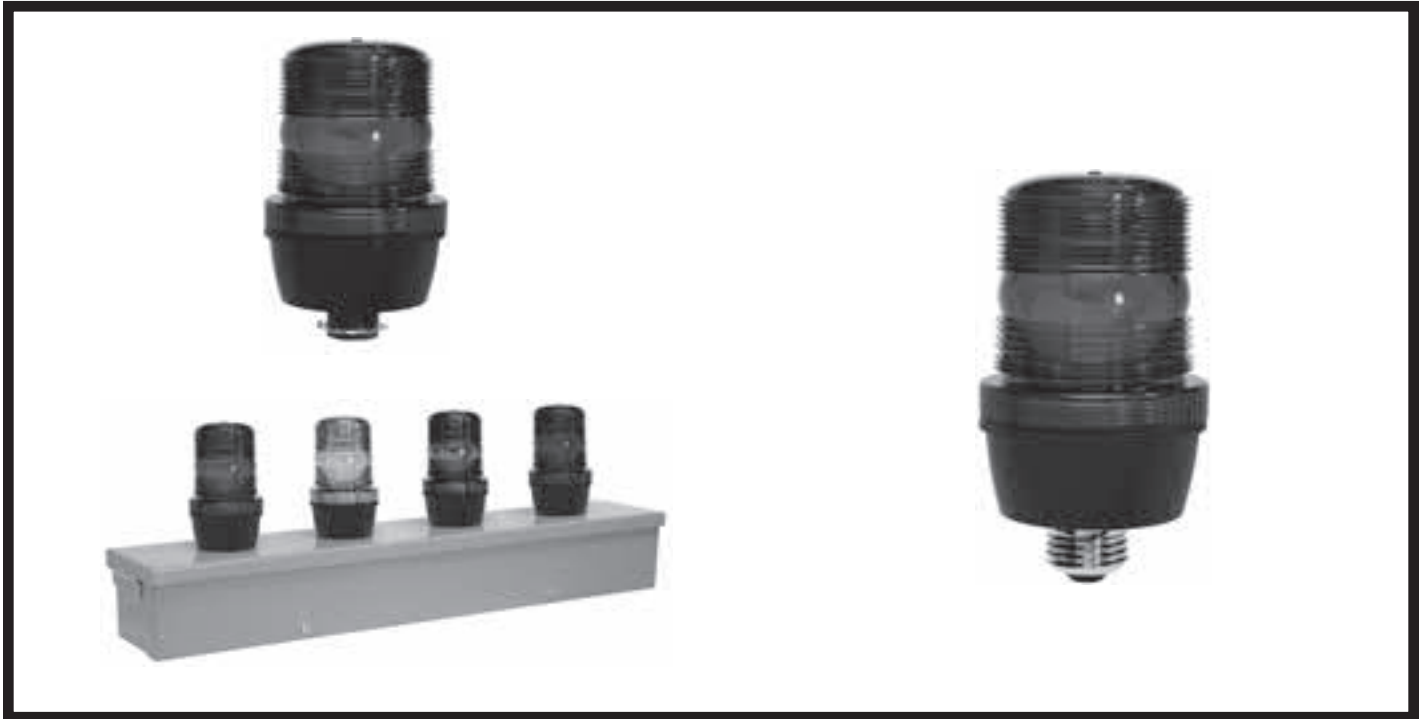
Retro fit the model 250-SB-MSB Steady Burn LED to a Lintern Incandescent Fixture as easy as 1, 2, 3:

1. Remove Lintern Lens, but keep hardware. (screws & springs)
2. Attach the Lexan Plastic Dust Barrier to the top of the aluminum O ring with existing screws & springs.
3. Screw-in the medium base LED and thats it!

The result is a new Steady Burn LED light complete with a Dust Barrier.

250-SB-MSB-DB 250 DC Steady Burn Medium Base LED Light including Dust Barrier. Specify Lens Color.

120 AC STEADY BURN LED STATUS LIGHTS



120 AC OVERHEAD CRANE STATUS LIGHT

Using Heavy Duty Steady Burn LED male thread LED lights designed for 120 AC overhead cranes, it's possible to provide long life trouble free status lights for this rough application. Choose from a two light system up to four lights in any combination of Red, Green, Amber or Blue Steady Burn LEDs mounted on a NEMA 3R enclosure, completely raintight.

The 120 AC Steady Burn 1/2" Male Thread LED is available as a separate unit, just order part number **120-SB-MT** in one of the colors show above. Enclosure rated at NEMA 4X, completely weatherproof.

SPECIFICATIONS

- 120 AC circuitry designed to withstand overvoltage conditions and excessive vibration.
- Current draw: .020 amps
- Voltage Range: 120 AC to 130 AC.
- Size: 4 light NEMA 3R box = 4" X 4" X 24"
3 light NEMA 3R box = 4" X 4" X 12"
2 light NEMA 3R box = 4" X 4" X 12"
120-SB-MT LED = 2 3/4" dia. X 6 3/8" high
- Ambient temperature -25C to +85C

120-4/R/A/G/B	4 Light 120 AC LED Status Light - R, A, G, B
120-3/R/A/G	3 Light 120 AC LED Status Light, - R, A, G
120-2/R/G	2 Light 120 AC LED Status Light, - R, G
120-SB-MT	120 AC Steady Burn LED Light - 1/2" Male Thread. Specify lens color - Red, Green, Amber or Blue.

120 AC STEADY BURN MEDIUM BASE LED

Replace fragile incandescent medium base bulbs with a long life vibration resistant LED Steady Burn light suitable for 120 AC overhead crane applications. Available in Red, Green, Amber or Blue lens colors.

SPECIFICATIONS

- 120 AC circuitry designed to withstand overvoltage conditions and excessive vibration.
- Current draw: .020 amps
- Voltage range: 120 AC to 130 AC
- Size: 2 3/4" dia. X 6 3/4" high.
- Ambient temperature -25C to +85C

120-SB-MSB	120 AC Steady Burn Medium Base LED Light. Specify Lens Color - Red, Green, Amber or Blue.
-------------------	--

LINTERN RETRO FIT ASSEMBLY

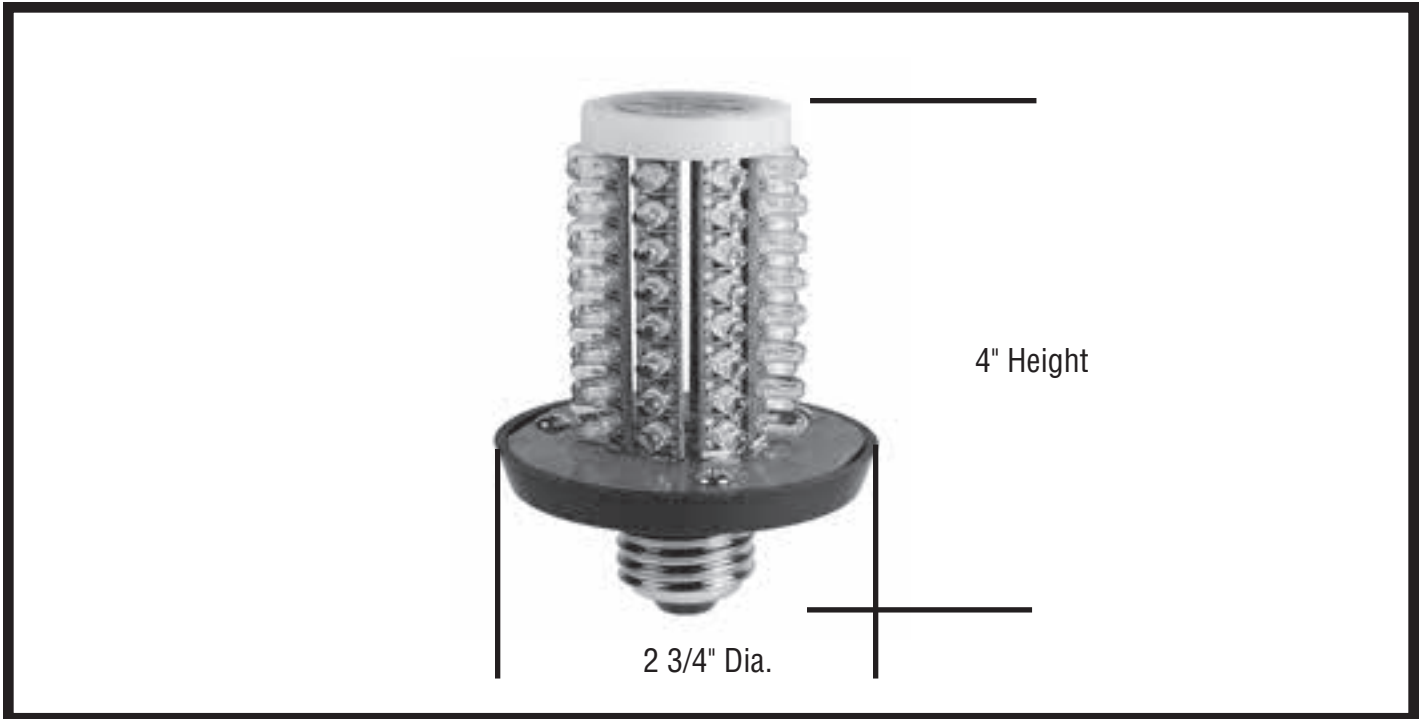
Retro fit the model 120-SB-MSB Steady Burn LED to a Lintern Incandescent Fixture as easy as 1, 2, 3:

1. Remove Lintern Lens, but keep hardware. (screws & springs)
2. Attach the Lexan Plastic Dust Barrier to the top of the aluminum O ring with existing screws & springs.
3. Screw-in the medium base LED and thats it!

The result is a new Steady Burn LED light complete with a Dust Barrier.

120-SB-MSB-DB	120 AC Steady Burn Medium Base LED Light including Dust Barrier. Specify Lens Color.
----------------------	--

120 AC & 250 DC STEADY BURN LED STATUS LIGHTS



250 DC OVERHEAD CRANE STATUS LIGHT

Using Heavy Duty Steady Burn LED medium base LED lights designed for 250 DC overhead cranes, it's possible to provide long life, trouble free status lights for this tough application. This rugged light source employs 64 LEDs securely mounted on plastic strips providing uniform 360 degree illumination.

Just replace your fragile incandescent lamps with this steady burn LED and you now have long life vibration resistant LED lamps.

SPECIFICATIONS

- 250 DC circuitry designed to withstand overvoltage conditions and excessive vibration.
 - Current draw: .017 to .020 amps
 - Voltage range: 250 to 270 DC
 - Overall Size: 2 3/4" Dia. (70.5mm) X 4" H (112mm) including screw base
 - Fits into Lintern Model 900-X-1 Glowlite Fixture
 - Ambient Temperature: -25 to +85 degrees C
- **250 VDC Model includes a bridge diode to provide reliable operation regardless of polarity.**

250-LED-MSB-W

250 DC medium screw base white steady burn LED less Lens

120 AC OVERHEAD CRANE STATUS LIGHT

Using Heavy Duty Steady Burn LED medium base LED lights designed for 120 AC overhead cranes, it's possible to provide long life, trouble free status lights for this tough application. This rugged light source employs 64 LEDs securely mounted on plastic strips providing uniform 360 degree illumination.

Just replace your fragile incandescent lamps with this steady burn LED and you now have long life vibration resistant LED lamps.

SPECIFICATIONS

- 120 AC circuitry designed to withstand overvoltage conditions and excessive vibration.
- Current draw: .020 amps
- Voltage range: 120 AC to 130 AC
- Size: 2 3/4" Dia. (70.5mm) X 4" H (112mm) including screw base
- Fits into Lintern Model 900-X-1 Glowlite Fixture
- Ambient Temperature: -25 to +85 degrees C

120-LED-MSB-W

120 AC medium screw base white steady burn LED less Lens

120, 240, 277 & 480 AC & 250 DC LED FLOOD LIGHTS



Three Year Warranty - All Models



Narrow Beam LED Flood

LED 50 WATT FLOOD LIGHT

This 50 Watt Medium Beam (120 Degrees) LED Flood Light provides an excellent light source for industrial applications replacing high maintenance Incandescent and expensive High Pressure Sodium & Metal Halide sources.

Because LED does not contain toxic Mercury, your lighting is much safer. These LED lamps have an average lifetime of 50,000 hours, giving you many years of maintenance free usage.

SPECIFICATIONS:

- Body material: Aluminum die casting
- Dimensions: 11.42" X 9.30", 10.32 Lbs
- Color: White • 4600K - 5500K
- Wattage: 50 Watts • Lumens: 95-100 lm/Watt
- Average Life: 50,000 Hours
- Viewing Angle: 120 Degrees
- Voltage: 100-277 VAC, & 250 VDC
- DC model polarity Protected
- IP Degree: IP65 = Dust and water jet protection
- Ambient Temperature Range: -40+60C
- Certificates: ETL, CE, RoHS, & GS
- Magnetic Base Option: -MB

FL-50-100-277 100-277 VAC 50/60 Hz.
50 W. Medium Beam LED Flood Light

FL-50-250 250 DC 50 W. Medium
Beam LED Flood Light

-MB Magnetic Base Option

LED 80 WATT FLOOD LIGHT

This 80 Watt Medium Beam (120 Degrees) LED Flood Light provides an excellent light source for industrial applications replacing high maintenance Incandescent and expensive High Pressure Sodium & Metal Halide sources.

Because LED does not contain toxic Mercury, your lighting is much safer. These LED lamps have an average lifetime of 50,000 hours, giving you many years of maintenance free usage.

SPECIFICATIONS:

- Body material: Aluminum die casting
- Dimensions: 11.22" X 14.17", 16.42 Lbs
- Color: White • 4600K - 5500K
- Wattage: 80 Watts • Lumens: 95-100 lm/Watt
- Average Life: 50,000 Hours
- Viewing Angle: 120 Degrees
- Voltage: 100-277 & 480 VAC & 250 VDC
- DC model polarity Protected
- IP Degree: IP65 = Dust and water jet protection
- Ambient Temperature Range: -40+60C
- Certificates: ETL, CE, RoHS & GS
- Plastic lens Option: -P

FL-80-100-277 100-277 VAC, 50/60 Hz.
80 W. Medium Beam LED Flood Light

FL-80-250 250 DC 80 W. Medium
Beam LED Flood Light

FL-80-480 480 VAC 50/60 Hz.
80 W. Medium Beam LED Flood Light
-P Plastic Lens Option

LED 90 WATT FLOOD LIGHT

This 90 Watt Narrow Beam (60 Degrees) LED Flood Light provides a VERY BRIGHT light source for industrial applications replacing high maintenance incandescent and expensive High Pressure Sodium & Metal Halide sources.

Because LED does not contain toxic Mercury, your lighting is much safer. These LED lamps have an average lifetime of 50,000 hours, giving you many years of maintenance free usage.

SPECIFICATIONS:

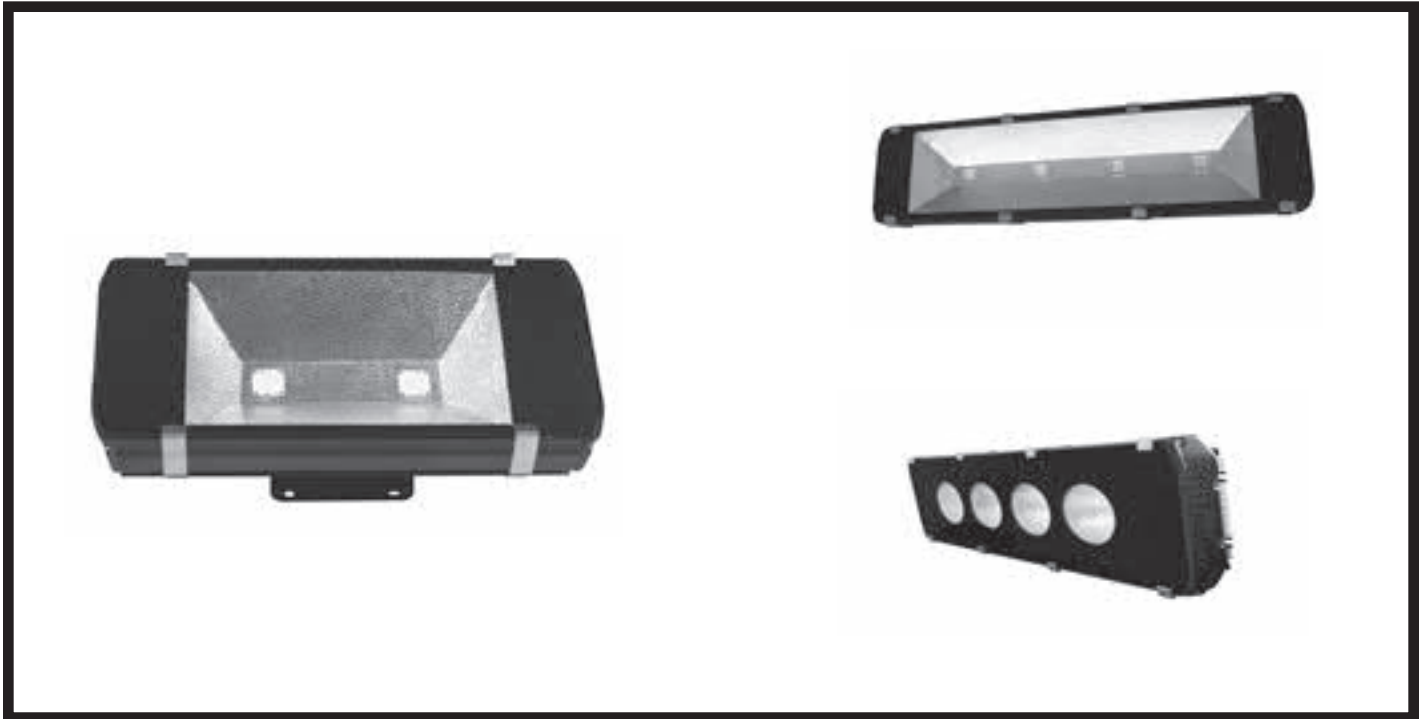
- Body material: Aluminum die casting
- Dimensions: 11.22" X 14.17", 16.42 Lbs
- Color: White • 4600K - 5500K
- Wattage: 90 Watts • Lumens: 95-100 lm/Watt
- Average Life: 50,000 Hours
- Viewing Angle: 60 Degrees
- Voltage: 100-277 & 480 VAC, & 250 VDC
- DC model polarity Protected
- IP Degree: IP65 = Dust and water jet protection
- Ambient Temperature Range: -40+60C
- Certificates: ETL, CE, RoHS & GS
- Plastic Lens Option -P

FL-90-100-277NB 100-277 AC 50/60 Hz. 90W
Narrow Beam LED Flood Light

FL-90-250NB 250 DC 90W. Narrow Beam
LED Flood Light

FL-90-480NB 480 VAC 50/60 Hz.
90 W. Narrow Beam LED Flood Light
-P Plastic Lens Option

120 & 200 WATT LED TUNNEL LIGHTS



HEAVY DUTY 120 & 200 WATT LED TUNNEL LIGHTS

These 120 Watt LED & 200 Watt Tunnel flood lights are an excellent choice for applications where uniform lighting is needed in an area difficult to maintain. These LED fixtures provide low wattage, quiet operation, excellent color temperature and extremely long life. LED light sources do not contain toxic chemicals making them easier to dispose of at the end of life.

SPECIFICATION 120 WATT MODEL:

- Body Material: Aluminum
- Tempered sealed glass cover
- Lumens: 95-100 Lm/Watt
- Viewing Angle: 120 D.
- Color Temperature: White CCT = 4600 - 5500 K
- Working Temperature: -40C +55C
- Weatherproof construction: IP65 Grade
- Working life span: 50,000 hours
- Voltage: 100-277VAC, 480 VAC 50/60 Hz. & 250 VDC
- Dimensions: 22.36" Wide X 11.22" High X 3.66" Deep
- Weight: 27.34 Lbs
- Certificate: ETL Pending, CE, RoHS
- Warranty: 3 Years

TL120-100-277 100-277 VAC, 120 W LED Tunnel Light
TL120-250 250 VDC 120 W LED Tunnel Light
TL120-480 480 VAC 120 W LED Tunnel Light

SPECIFICATION 200 WATT MODEL:

- Body Material: Aluminum
- Tempered sealed glass cover
- Lumens: 95-100 Lm/Watt
- Viewing angle: Medium Beam 120 D, Narrow Beam 60 D.
- Color Temperature: White CCT = 4600 - 5500 K
- Working Temperature: -40 + 55C
- Weatherproof construction: IP65 Grade
- Working life span: 50,000 hours
- Voltage: 100-277 VAC, 480 VAC 50/60 Hz. & 250 VDC
- Dimensions: 21.73 "L X 15.69 " H X 6.77" D., Weight: 38 Lbs
- Certificate: ETL Pending, CE, RoHS
- Warranty: 3 Years

TL200-100-277 100-277 VAC, 200 W Medium Beam LED Tunnel Light
TL200-100-277NB 100-277 VAC 200 W Narrow Beam LED Tunnel Light
TL200-250 250 VDC 200 W Medium Beam LED Tunnel Light
TL200-250NB 250 VDC 200 W Narrow Beam LED Tunnel Light
TL200-480 480 VAC 200 W Medium Beam LED Tunnel Light
TL200-480NB 480 VAC 200 W Narrow Beam LED Tunnel Light

50 WATT LED FLOOD LIGHT WITH MAGNETIC BASE

Three Year Warranty



50 WATT FLOOD LIGHT WITH MAGNETIC BASE

This 50 Watt Medium Beam (120 Degrees) LED Flood Light provides an excellent light source for industrial applications replacing high maintenance Incandescent and expensive High Pressure Sodium & Metal Halide sources.

Because LED does not contain toxic Mercury, your lighting is much safer. These LED lamps have an average lifetime of 50,000 hours, giving you many years of maintenance free usage.

SPECIFICATIONS:

- Body material: Aluminum die casting
- Dimensions: 11.42" X 9.30"
- Weight: 9 lbs.
- Color Temperature: White • 4600K - 5500K
- Wattage: 50 Watts • Lumens: 95-100 lm/Watt
- Average Life: 50,000 Hours
- Viewing Angle: 120 Degrees
- Voltage: 100-277 VAC, & 250 VDC
- DC model polarity Protected
- IP Degree: IP65 = Dust and water jet protection
- Ambient Temperature Range: -40+60C
- Certificates: ETL, CE, RoHS & GS

FL-50-100-277MB 100-277 VAC 50 W. Medium Beam LED Flood Light with Magnetic Base
FL-50-250MB 250 DC 50 W. Medium Beam LED Flood Light with Magnetic Base

200 WATT HIGH INTENSITY LED FLOOD LIGHTS

Two Year Warranty



NARROW BEAM



MEDIUM BEAM

200 WATT LED FLOOD LIGHTS

Introducing high lumen output LED Flood Lights using proprietary single powerful 100 Watt LEDs as the light source, it's now possible to provide high bay flood lighting.

Because the LED does not contain toxic Mercury, your lighting is much safer. These LED lamps have an average lifetime of 50,000 hours giving you many years of maintenance free usage.

SPECIFICATIONS:

- Body Material: Aluminum die casting
- Dimensions: 21.73" long X 15.69" high X 6.77" deep
- Weight: 38 lbs.
- Color Temperature: White • 5000-6500K
- Wattage: 200 Watts, .827 amps @ 240 VAC
- Average Life: 50,000 hours
- Lumen output = 95-100 Lumens/Watt
- Ambient temp = -25C+60C
- Viewing angle: Narrow Beam = 60 D. Medium Beam = 120 D.
- Voltage: 100-277 VAC 50/60 Hz., 480 VAC 50/60 Hz. & 250 VDC
- DC Models polarity protected with MOV included for spike voltage protection
- IP Degree: IP65 = dust and water jet protection
- All Models feature High Temperature Vycor Tempered Glass Covers
- Certificates: ETL Pending, CE, RoHS, & GS

FL200-100-277

FL200-100-277NB

FL200-250

FL200-250NB

FL200-480

FL200-480NB

200 W Medium Beam LED Flood Light, 100-277 VAC (120/240/277 VAC)

200 W Narrow Beam LED Flood Light, 100-277 VAC (120/240/277 VAC)

200 W Medium Beam LED Flood Light, 250 VDC

200 W Narrow Beam LED Flood Light, 250 VDC

200 W Medium Beam LED Flood Light, 480 VAC

200 W Narrow Beam LED Flood Light, 480 VAC

LIGHTING EQUIPMENT

Circle D Heavy Duty Floodlights

The Circle D sealed beam flood lamp fixture is the number one choice of the maintenance departments of heavy industry. You will find this fixture used on equipment such as cranes, power shovels, pile drivers etc. CIRCLE D lights are

compact and rugged, built for continuous trouble free service. Features include:

- Thick wall cast aluminum housing
- Spring loaded adjusting socket
- Vertical and horizontal adjustment
- Double lamp support
- All weatherproof



MODEL 601-150/200/300w INCANDESCENT FIXTURE

Single light unit for 150PAR38, 200 or 300 watt R40 medium base lamp. (lamp not included)

601 R40 Medium base fixture
SY-406H Guard



MODEL 101-200/300/500w INCANDESCENT FIXTURE

Single light unit for 200, 300, 500 watt R40 Mogul base lamp. (lamp not included)

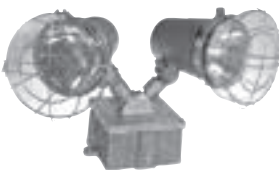
101 R40 Mogul base fixture
SY-400 Guard



MODEL 101M-750.1000/1500W INCANDESCENT OR 250/400W MERCURY VAPOR FIXTURE

Single light unit for 750 and 1000 watt R60 incandescent lamp, 1500W R80 incandescent lamp, and 250 or 400 W R60 Mercury Vapor Lamps. (lamps not included)

101M R60/R80 Mogul base fixture
SY-415 Guard



MODEL 1802-DOUBLE 70W HPS FIXTURE

Two light unit for 70W PAR38HPS sealed beam flood lamps, complete with 120 VAC NPF ballast and lamp. Also available as a single light fixture, model 1801.

1801 Single 70PAR38 HPS 120 V NPF
1802 Double 70PAR38 HPS 120 V NPF
AT-15 Photo cell (not shown)
SY-406-H Guard



MODEL PF-52S HPS FIXTURE

Excellent area light features Lexan lens, complete with NPF ballast and lamp.

PF-52-35 35W, 120 V HPS, NPF
PF-52-50 50W, 120 V HPS, NPF
AT-15 Photo Cell (not shown)



MODEL 150-200/300/500W PORTABLE

Single light unit for R40 incandescent lamp, mogul base and Lamp. (Less cord.)

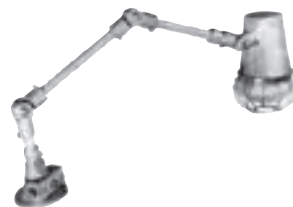
150G R40 Mogul base portable with guard and lamp



MODEL 164-500PAR56 QUARTZ PORTABLE

Single light unit for 500PAR56, 120 V quartz sealed beam lamp, up to 93,000 CP 5 degree narrow beam lamp. (Lamp included)

164G 500PAR56 120 V quartz portable with guard and lamp



MODEL 1105-S MACHINE LIGHT

Fully adjustable machine light for 150, 200 or 300 W PAR38 or R40 medium base lamps. (lamp not included)

1105-S Machine light



MODEL 3011 MARINE LIGHT

U. S. Coast Guard approved light for use with PAR56 lamps. (lamp not included)

3011 Marine light
P3011 Guard



SHOCK MOUNTS

P-18 Shock Mount (needs 202C Box)
202C Junction box with flange base 1/2" inlet two sided solid cover.

CRANE LIGHTS - METAL HALIDE LAMPS



Indoor Metal Halide Crane Lights



Outdoor Metal Halide Crane Lights

400 W MH Pulse Start Indoor Fixture

Cast aluminum spring loaded socket and reflector support provides a reliable indoor crane light for 400 W Pulse Start Metal Halide Lamps. Suitable for use in open fixtures.

Features:

- 25% increase in light output over standard MH Lamps.
- 50% faster warm-up and restrike time.
- 50% increase in life when compared to switch start MH Lamps.
- Protected Pulse Start Lamp contains arc tube rupture that can occur at the end of lamp life. In compliance with the NEC code and EISA.
- **The EISA Ballast Requirement covers Wattages of 500 Watts or less.**
- Size: 14" Dia. X 16 3/4" High
- Contains EX39 exclusionary "pink" mogul socket

400-CLPS Indoor 400 W. fixture for ED37, E37 or BT37 Pulse Start MH Lamps

400 W MH Pulse Start Outdoor Fixture

Cast Aluminum spring loaded socket to securely hold the 400 W Pulse Start MH Lamp against a cushion gasket. This double lamp support provides the best method to resist shock and vibration along with a weatherproof seal.

- Size: 14" Dia. X 19 1/2" High
- In compliance with NEC and EISA
- Contains EX39 exclusionary "Pink" Mogul Socket

400-WPPS Outdoor 400 W fixture for ED37, E37 or BT37 Pulse Start MH Lamp.

Shock Mounts & Junction Boxes



P-19 Shock Mount

211 Junction Box



SM-3/4 HD Shock Mt

1000 W MH Type "O" Protected Lamp

Cast aluminum fixture featuring a spring loaded socket to securely hold the Type O Protected BT56 MH lamp. The Type-O Rated MH Lamps include an internal quartz shroud covering the Arc Tube to contain Arc Tube rupture that can occur at the end of lamp life.

Features:

- NEC Code compliant
- Contains EX39 exclusionary "pink" mogul socket.
- Size: 1000-CLPS: 14" Dia. X 19 3/4" High
- Size: 1000-RPS: 14" Dia. X 17" High

1000-CLPS Indoor 1000 W Fixture for Type O Protected BT56 Lamp
1000-RPS Outdoor 1000 W Fixture for Type O Protected BT56 Lamp

QUICK-PICK ORDERING CHART - Pulse Start & Type O Lamps

Indoor - Pulse Start Lamp & Pulse Start Ballast ANSI M155/M135/M128/O				
Watts	Voltage	Fixture	Lamp No.	Ballast No.
400	120/208/240/277/480	400-CLPS	MP400/BU/PS	78E6052EE

Outdoor - Pulse Start Lamp & Pulse Start Ballast ANSI M155/M135/M128/O				
Watts	Voltage	Fixture	Lamp No.	Ballast No.
400	Specify AC Voltage	400-WPPS	MP400/BU/PS	400-MH-PS-WP-BE

Indoor - Type O Rated MH Lamps & Probe Start Ballast ANSI M47/O				
Watts	Voltage	Fixture	Lamp No.	Ballast No.
1000	120/208/240/277	1000-CLPS	MP1000/BU	78E6592
1000	480	1000-CLPS	MP1000/BU	78E6542

Outdoor - Type O Rated MH Lamps & Probe Start Ballast ANSI M47/O				
Watts	Voltage	Fixture	Lamp No.	Ballast No.
1000	120/208/240/277	1000-RPS	MP1000/BU	79W6592
1000	480	1000-RPS	MP1000/BU	79W6542

NOTE: Contact Sales for 1000 Watt Pulse Start Metal Halide

CRANE LIGHTS - 250 DC MV & AC HPS



Indoor Crane Lights



Outdoor Crane Lights

400-CL MV & HPS • 1000-CL HPS

Cast aluminum spring loaded socket and reflector support provides a reliable indoor cranelight for 250 VDC Mercury Vapor and AC HPS lamps. The highly polished reflector gives a medium beam spread. For additional protection against shock and vibration, include one of the shock mounts listed below.

The 250 VDC Mercury Vapor fixture and lamp combination utilizes a current limiting resistor for operation of a 400 Watt mercury vapor lamp on 250 VDC input voltage. **This resistor acts as a special ballast for 250 VDC and is intended for overhead crane application only, not for general illumination.**

400-CL Indoor 400 W MV & HPS lamps, ED18, BT37, E37 & ED37.
1000-CL Indoor 1000 W HPS lamps, E25

Size 400-CL = 14" Dia. X 16 3/4" High
 Size 1000-CL = 14" Dia. X 18 3/4" High

Notice: The H34GW-1000/DX lamp has been discontinued. Please call our sales department for assistance with replacement fixtures & resistor ballasts for 1000 W 250 VDC applications.

Shock Mounts & Junction Boxes

P-19 Shock Mount



211 Junction Box



SM-3/4 HD Shock Mt



400-WP, & 400-R MV & 750 W SB-MV

Cast aluminum weatherproof fixture featuring a spring loaded socket to securely hold Mercury Vapor and Self Ballasted Mercury Vapor lamps against a cushion gasket. This double lamp support provides the best method to resist shock and vibration. For additional protection against shock and vibration, include one of the shock mounts listed below.

400-WP Outdoor 400 Watt MV lamps, BT37, E37, ED37
 14" dia. X 19 1/2" High

400-R Outdoor 400 Watt R60 MV Lamp no. H33LN-400 & 750 Watt R60 Self Ballasted 250 VDC lamps no. M750R5/7FL
 14" Dia. X 16" High

Quick-Pick Ordering Chart

250 VDC Cranes - Mercury Vapor & Self Ballasted Mercury Vapor

Watts	Voltage	Fixture	Lamp No.	Resistor Ballast No. Indoor/Outdoor
400	250 DC	400-R	H33LN-400	TBA14MVB
400	250 DC	400-CL	H33GL-400/DX	TBA14MVB
400	250 DC	400-WP	H33GL-400/DX	TBA14MVB
750	250 DC	400-R	M750R5/7FL	N.A.

AC Cranes - High Pressure Sodium (indoor only)

400	Specify	400-CL	LU400	Select from list below
1000	Specify	1000-CL	LU1000	Select from list below

High Pressure Sodium Ballasts (indoor only)

400	120/208/240/277	78E8493
400	480	78E8443
1000	120/208/240/277	78E8793-001
1000	480	78E8743-001

250 VDC BALLASTS & SHOCK MOUNTS

400 WATT BALLAST



1000 WATT BALLAST



Solve 250 VDC cranelight lighting by installing MERCURY VAPOR resistor ballasts. Convert fragile, short life incandescent lighting into heavy duty long life mercury vapor.

The resistors employed in these ballasts are wire wound on ceramic cores. The enclosures are heavy gauge steel with the outdoor 400 Watt version in a NEMA 3 louvered box.

MODEL NUMBER	LAMP TYPE	OVERALL DIMENSIONS
TBA14MVB Supercedes 2500A & 2600	1- 400 W. H33-1 Indoor/Outdoor	13.5" H X 7" W X 5" D
2700	1- 1000 W. H34-12 Indoor	14" H X 12" W X 6" D

NOTICE: The above Resistor Ballasts are for 250 DC Cranes and not for general illumination

SUPER HEAVY DUTY SHOCK MOUNT

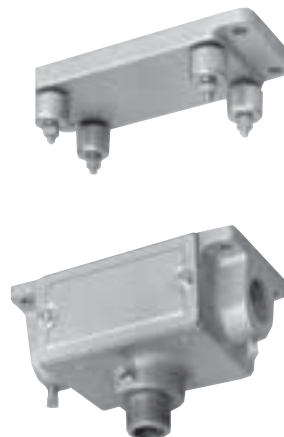


Extend lamp life with this cast aluminum shock mount. The lighting fixture floats on a solid rubber base that absorbs shock and vibration. A ground connection is installed between the top and bottom of the shock mount for added safety.

- 100% weatherproof
- Extra thick casting
- 1/2" or 3/4" IPS models

SM-1/2 1/2" IPS SM
SM-3/4 3/4" IPS SM

HEAVY DUTY SHOCK MOUNT

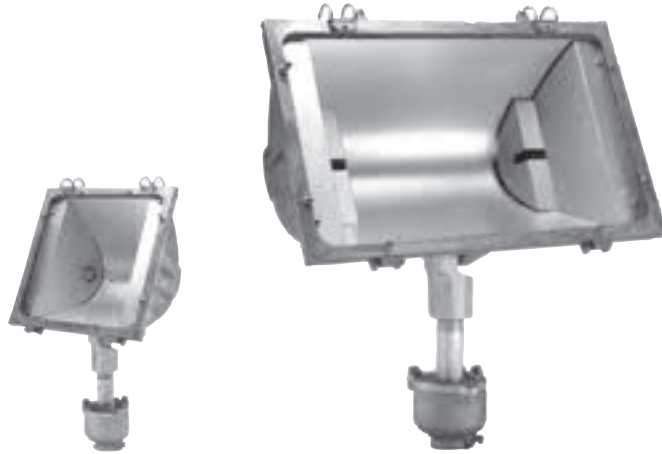


This combination shock mount and junction box protects against shock and vibration while offering the added feature of a junction box. The shock mount must be ordered with the junction box. The junction box can be ordered separately.

- Four bolt flange base shock mount.
- 3/4" IPS inlet each end, solid cover junction box.
- 3/4" IPS for swivel arm.

P-19 Shock Mount
211 Junction Box

HEAVY DUTY QUARTZ FLOODS



HEAVY DUTY QUARTZ FLOODLIGHTS

Extra heavy duty Aluminum housing featuring a shock mount option that qualifies these fixtures for applications of excessive vibration such as overhead cranes, steel mill material handling equipment including 250 VDC equipment. The unique shock mounts used with these fixtures float on a solid rubber base that absorbs shock and vibration. Models shown have shock mounts installed. Lamps not included.

Note: 240 V lamps are suitable for 250 VDC.

Fixtures:

500Q 500W Medium Beam 3/4" Swivel (not shown)

500QSM 500W Medium Beam 3/4" Swivel with shock mount

1500Q 1500W Medium Beam 3/4" Swivel (not shown)

1500QSM 1500W Medium Beam 3/4" Swivel with shock mount

Lamps:

500T3Q/CL 500 W 120 V Quartz lamp 12/ctn

500T3Q/CL/240 500W 240 V Quartz lamp 12/ctn

1500T3Q/CL 1500W 240 V Quartz lamp 12/ctn

Parts:

L-1 1500W Glass fixture lens

L-2 500W Glass fixture lens

SM-3/4 3/4" Heavy duty shock mount

SM-1/2 1/2" Heavy duty shock mount

Self Ballasted Mercury Vapor Lamps

Outstanding Features:

- Up to 16,000 hours lamp life
- 60% brighter than incandescent lamps
- Need no ballast
- Will start below 0°F. Full range of voltage & wattage.



MERCANDESCENTS for 115V—120V-120V

Catalog Number	Description (See Footnote No.)	Nominal Watts	Bulb	Base and Burning Position ⁽¹⁾	Volts ⁽²⁾	Std. Pkg.	Max. Overall Length (Inches)	Approx. Initial Lumens	Max. Beam Candle-power	Starting Current (Amps.)	Operating Current (Amps.)	Average Hours Life ⁽³⁾
M100B2/W	Deluxe White	100	B-21 ⁽⁴⁾	Med.	120	32	6 1/4	1650	—	1.1	.8	12000
M160PS2/W	Super White	160	PS-30 ⁽⁴⁾	Med.	120	24	7 1/16	3125	—	1.6	1.3	12000
M160E2/W	Super White		E-23 ⁽⁴⁾	Med.	120	24	6 13/16	3125	—	1.6	1.3	12000
M160E3/W	★ Super White		E-23 ⁽⁵⁾	Med.	120	24	6 13/16	3125	—	1.6	1.3	12000
M160R3/FL	★ Refl. Flood ⁽⁷⁾		R-40 ⁽⁷⁾	Med.	120	24	6 9/16	—	1400	1.6	1.3	12000
M160PAR2/FL	★ Proj. Flood ⁽⁷⁾		PAR-38 ⁽⁵⁾	Med. Skt.	120	24	6 1/2	—	4200	1.6	1.3	12000
M250PS2/W	Super White		250	PS-35 ⁽⁴⁾	Med.	120	24	9	5750	—	2.8	2.2
M250PS4/W	Super White	Mogul		120	24	9 9/16	5750	—	2.8	2.2	12000	
M250E3/W	★ Super White	E-28 ⁽⁵⁾		Med.	120	24	8 3/8	5750	—	2.8	2.2	12000
M250E4/W	★ Super White	Mogul		120	24	8 1/8	5750	—	2.8	2.2	12000	
M250R3/FL	★ Refl. Flood ⁽⁷⁾	R-40 ⁽⁵⁾		Med.	120	24	6 9/16	—	2650	2.8	2.2	12000
M250R4/FL	★ Refl. Flood ⁽⁷⁾	Mogul		120	24	7	2650	2.8	2.2	12000		
M300E2/W	★ Super White	300	E-28 ⁽⁵⁾	Med. Skt.	120	12	8 3/4	6750	—	3.5	2.9	14000
M300E4/W	★ Super White		Mogul	120	12	8 9/16	6750	—	3.5	2.9	14000	
M300R2/FL	★ Refl. Flood ⁽⁷⁾		R-40 ⁽⁵⁾	Med. Skt.	120	12	7 1/2	—	2900	3.5	2.9	14000
M300R4/FL	★ Refl. Flood ⁽⁷⁾		Mogul	120	12	7	—	2900	3.5	2.9	14000	
M500E3/W	★ Super White	500	E-37 ⁽⁵⁾	Mogul	120	6	11 3/4	11780	—	5.6	4.2	16000
M500R5/FL	★ Refl. Flood ⁽⁷⁾		R-57 ⁽⁶⁾	Mogul	120	6	12 3/4	—	18000	5.6	4.2	16000
M500R5/W	★ Refl. White ⁽⁸⁾				6	12 3/4	—	5000	5.6	4.2	16000	
M750BT4/W	★ Super White	750	BT-46 ⁽⁵⁾	Mogul	120	6	14 1/2	21000	—	8.5	6.3	16000
M750R5/FL	★ Refl. Flood ⁽⁷⁾		R-60 ⁽⁶⁾	Mogul	120	6	12 3/4	—	32000	8.5	6.3	16000
M750R5/W	★ Refl. White ⁽⁸⁾				6	12 3/4	—	8000	8.5	6.3	16000	

MERCANDESCENTS for 208V—220V—250V—277V

M160E2/4W	Super White	160	E-23 ⁽⁴⁾	Med.	208 ⁽⁹⁾	24	6 13/16	3520	—	.9	.8	12000
M160E2/6W	Super White				230 ⁽¹⁰⁾	24	6 13/16	3520	—	.8	.7	12000
M250E2/6W	Super White	250	E-28 ⁽⁴⁾	Med.	230 ⁽¹⁰⁾	24	8 3/8	6250	—	1.5	1.1	12000
M300E4/8W	★ Super White	300	E-28 ⁽⁵⁾	Mogul	277 ⁽¹⁵⁾	12	8 9/16	7400	—	1.6	1.1	14000
M500E3/4W	★ Super White	500	E-37 ⁽⁵⁾	Mogul	208 ⁽⁹⁾	6	11 1/4	14750	—	3.5	2.4	16000
M500E3/6W	★ Super White				230 ⁽¹⁰⁾	6	11 1/4	14750	—	3.3	2.2	16000
M500E3/8W	★ Super White				277 ⁽¹⁵⁾	6	11 1/4	14750	—	2.7	1.9	16000
M500R5/6FL	★ Refl. Flood ⁽⁷⁾	500	R-57 ⁽⁶⁾	Mogul	230 ⁽¹⁰⁾	6	12 3/4	—	20700	3.3	2.2	16000
M500R5/8FL	★ Refl. Flood ⁽⁷⁾				277 ⁽¹⁵⁾	6	12 3/4	—	20700	2.7	1.9	16000
M750R5/4FL	★ Refl. Flood ⁽⁷⁾	750	R-60 ⁽⁶⁾	Mogul	208 ⁽¹¹⁾	6	12 3/4	—	40000	5.2	3.7	16000
M750R5/6FL	★ Refl. Flood ⁽⁷⁾				230 ⁽¹²⁾	6	12 3/4	—	42000	4.9	3.3	16000
M750R5/7FL	★ Refl. Flood ⁽⁷⁾				250 ⁽¹³⁾	6	12 3/4	—	42000	4.7	3.0	16000
M750R5/7W	★ Refl. White ⁽⁸⁾					6	12 3/4	—	10000	4.7	3.0	16000
M750R5/8FL	★ Refl. Flood ⁽⁷⁾				277 ⁽¹⁵⁾	6	12 3/4	—	42000	4.6	2.8	16000

★ Special Heat Resistant Glass

- (1) Burning position—Any.
- (2) A.C. 50-60 cycles. 120V Lamps can be used in voltage range 115V to 125V. High voltage lamps (230V-277V) can also be operated on D.C.
- (3) Based on eight or more hours per start.
- (4) For indoor use. Outdoors, use enclosed fixture.
- (5) Hard glass for indoor or outdoor use.

- (6) Hard glass for indoor or outdoor use. Outdoors, in base-down operation, use enclosed fixture. In base-up operation, lamp can be used in open-face fixture to 35° below horizontal.
- (7) Inner metallic reflector.
- (8) Phosphor coated and inner metallic reflector.
- (9) Can be used in voltage range 200V to 224V.

- (10) Can be used in voltage range 225V to 249V.
- (11) Can be used in voltage range 200V to 219V.
- (12) Can be used in voltage range 220V to 239V.
- (13) Can be used in voltage range 240V to 259V.
- (14) Can be used in voltage range 208V to 220V.
- (15) Can be used in voltage range 260V to 280V.

INDUSTRIAL FANS



MANCOOLERS

Standard "T" base mounting, these low noise level, heavy duty units provide man cooling and process cooling for both open work areas and spot cooling. Their rugged construction equals that of a permanent fan, yet can be easily positioned and adjusted for directional flow. In accordance with OSHA and AMCA standards.

- M24B1** 24", 1 HP, 1750 RPM, 7200 CFM
- M24B1.5** 24", 1.5 HP, 1750 RPM, 8200 CFM
- M24B2** 24", 2 HP, 1750 RPM, 9200 CFM
- M24B3/4X** 24", 3/4 HP, 1140 RPM, 6600 CFM
- M36B5** 36", 5 HP, 1750 RPM, 25,100 CFM
- M36B2X** 36", 2 HP, 1140 RPM, 17,000 CFM
- M36B3X** 36", 3 HP, 1140 RPM, 20,000 CFM
- M36B5X** 36", 5 HP, 1140 RPM, 24,900 CF

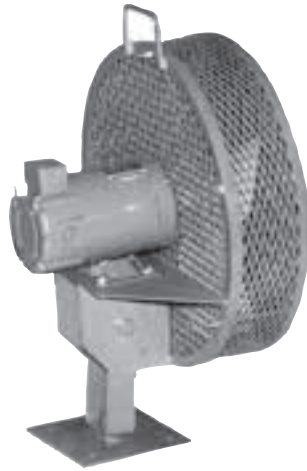
LEGEND

- B** = 230/460/3/60 Hz
- C** = 115/230/1/60 Hz
- X** = 1140 RPM
- Z** = 850 RPM

OPTIONS

- 4LA** = 4 legs
- WC** = with casters
- WM** = wall mount
- TW** = Trolley wheels

CRANE CAB FANS



Standard adjustable base mount

-TB Tripod base

- C12A** 12", 1/3 HP, 1750 RPM, 1500 CFM, 250 VDC
- C16A** 16", 1/3 HP, 1750 RPM, 2800 CFM, 250 VDC
- C18A** 18", 1/3 HP, 1750 RPM, 3400 CFM, 250 VDC

LEGEND

- A** = 250 VDC
- B** = 230/460/3/60 Hz
- C** = 115/230/1/60 Hz
- X** = 1140 RPM

OPTIONS

- TB** = tripod base

MODEL NUMBER SPECIFICATION LAYOUT

Example: M36B5X-4LA-WC

- M** = Unit Type
- 36** = Blade Dia.
- B** = Voltage
- 5** = Motor HP
- X** = RPM
- 4LA** = Base
- WC** = With Casters

Electrical: **A** = 250 VDC
B = 230/460/3/60 Hz
C = 115/230/1/60 Hz

RPM: = 1750
X = 1140
Z = 850

Consult sales department for other accessories, plugs, wiring, starters, aluminum propellers and other motor types.

DRUM STYLE MANCOOLERS

Standard "T" base mounting, the drum style units offer the same performance characteristics as the popular Mancoolers, but with the added feature of greater air direction. This helps condition difficult to reach areas and provides even greater spot cooling of equipment and processing operations.

- D36B5** 36", 5HP, 1750 RPM, 25,100 CFM
- D36B2X** 36", 2HP, 1140 RPM, 17,000 CFM
- D36B3X** 36", 3HP, 1140 RPM, 20,000 CFM
- D36B5X** 36", 5HP, 1140 RPM, 24,900 CFM
- D42B7.5** 42", 7.5HP, 1750 RPM, 30,000 CFM
- D42B3X** 42", 3HP, 1140 RPM, 23,500 CFM
- D42B5X** 42", 5HP, 1140 RPM, 28,000 CFM
- D42B7.5X** 42", 7.5HP, 1140 RPM, 32,500 CFM

LEGEND

- B** = 230/460/3/60 Hz
- C** = 115/230/1/60 Hz
- X** = 1140 RPM
- Z** = 850 RPM

OPTIONS

- 4LA** = 4 legs
- P** = Pedestal
- PS** = Pedestal swivel
- WC** = with casters





STANDARD UNIT HEATER

ELECTRIC UNIT HEATERS - UL LISTED

CATALOG NO.	VOLTAGE	KW	PHASE	CONTACTOR
AUH-248-SA	240	2.5	1	Not Needed
AUH-348-SA	480	3.3	3	Built-in
AUH-548-SA	480	5	1 or 3	Built-in
AUH-748-SA	480	7.5	1 or 3	Built-in
AUH-1048-M	480	10	1 or 3	Built-in
AUH-1248-M	480	12.5	1 or 3	Built-in
AUH-1548-M	480	15	1 or 3	Built-in

Specify - PORTABLE to order Portable Electric Unit Heaters



PORTABLE UNIT HEATER

UNIT HEATERS ACCESSORIES AND CONTROLS

- CWB-1** Combination wall/ceiling bracket for 2.5 thru 15 KW units. Not needed on S models.
- WB-1A** One-piece wall mounting bracket for 2.5 thru 15 KW units. Not needed on S models.
- CB-1A** One-piece ceiling mounting bracket for 2.5 thru 15 KW units. Not needed on S models.
- AUH-TA-1** Single pole thermostat fit for field installation in all units except three phase AUH-520 and AUH-524. 40 - 150 F.
- AUH-TA2** Double line thermostat kit for field installation in three phase AUH-520 and AUH-524 units. 50 to - 150 F.



PORTABLE HEATERS

PORTABLE HEATERS

CATALOG NO.	WATTS	VOLTS	PHASE
SH135431	13,500	480	3
PPH643	6,000	480	3
PHX454	4,500	480	1

Not supplied with cord (Available as option). Price includes heavy duty protective screen

CRANE CAB HEATERS



CRANE CAB HEATERS - 220 to 250 VDC

CATALOG NO.	SWITCH	WATTS	HEIGHT	WIDTH	DEPTH
A-230CH-1	No	1 KW	8"	20.75"	4.25"
A-230CH-1-S	Yes	1 KW	8"	20.75"	4.25"
A-230CH-2	No	2 KW	8"	20.75"	4.25"
A-230CH-2-S	Yes	2 KW	8"	20.75"	4.25"
A-230CH-4	No	4 KW	13.25"	20.75"	4.25"
A-230CH-4-S	Yes	4 KW	13.25"	20.75"	4.25"
A-230CH-2/2-S	Yes	4 KW (2+2)	13.25"	20.75"	4.25"
A-230CH-6	No	6 KW	13.25"	20.75"	4.25"
A-230CH-6-S	Yes	6 KW	13.25"	20.75"	4.25"
A-230CH-2/2/2-S	Yes	6 KW (2+2+2)	13.25"	20.75"	4.25"

* Heavy-duty wirewound heating elements.

Natural convection heaters are ideal for heating crane cabs, guard houses and other normally unheated areas. All heaters feature heavy-duty wirewound heating elements mounted in a rugged galvanized steel enclosure with perforated cover. All units are suitable for floor or wall mounting and have convenient knockouts for permanent conduit installation. Heavy-duty DC rated switches are also available for on/off or multiple heat settings.

FIRE ALARM PULL STATIONS



RMS Series

The RMS series of manual pull stations are a high quality non toxic and low profile design with smooth edges that offer an attractive yet functional design. All components are prepainted or have plated surfaces to inhibit corrosion. Electrically the RMS series manual pull station is unbeatable with 10 amp snap action switch offered in all possible contact arrangements.

FEATURES - ALL MODELS

- UL
- single or dual action
- Break Glass
- Lift and Pull
- 9 different colors
- Custom Lettering available in any language

RMS Models:

- RMS-1P** S.P.S.T. w/pigtail connection
- RMS-1T** S.P.S.T. w/terminal connection
- RMS-2T** D.P.S.T. w/terminal connection
- RMS-LP** S.P.S.T. w/terminal Lift & Pull (dual)
- RMS-BG** D.P.D.T. w/terminal break glass (dual)

OPTIONS & ACCESSORIES - ALL MODELS

- GR** Glass rods
- GP** Replacement Glass
- BB** Indoor Back Box (surface mount)
- DBB** Deep indoor back box (surface mount)
- NC-BGC** Break Glass Cover

AVAILABLE COLORS:

Red, Blue, Green, Yellow, White, Black, Grey, Purple (magenta) Orange



RMS-EX-WP Series

The RMS-EX-WP series of explosion proof and weather proof manual pull stations are constructed of high strength metal die-cast alloy and the finest workmanship available. The RMS-EX-WP series have a UL rating of Class I, division 1, Group B (hydrogen) C & D, Class II, division 1, Groups E, F & G, Class III and an outdoor rating of type NEMA 4X. Electrically the RMS-EX-WP series manual pull station is unbeatable with 10 amp snap action switch offered in all possible contact arrangements.

RMS-EX-WP Models

- RMS-EX-WP** D.P.D.T. w/terminal connection
- RMS-EX-WP-LP** D.P.D.T. w/terminal connection (Lift & Pull dual action)
- RMS-EX-WP-BG** D.P.D.T. w/terminal connection Break Glass (dual action)



RMS-WP Series

The RMS-WP series of weatherproof NEMA 4X rated manual pull stations are a high quality non toxic and low profile design with smooth edges that offer an attractive yet functional design. All components are prepainted or have plated surfaces to inhibit corrosion. Electrically the RMS-WP series manual pull station is unbeatable with 10 amp snap action switch offered in all possible contact arrangements.

RMS-WP Models

- RMS-PWP** S.P.S.P w/pigtail connection
- RMS-TWP** S.P.S.T. w/terminal connection
- RMS-2WP** D.P.S.T. w/terminal connection
- RMS-WP-LP** D.P.D.T. w/terminal connection lift & pull (dual action)
- RMS-WP-BG** D.P.D.T. w/terminal connection Break Glass (dual action)

BREAK GLASS COVER



The cover is made of heavy gauge steel and offers the user the proven glass break deterrent.

NC-BGC

Break Glass Cover



772P-1228 Strobe Power Supply

The model 772P is an economical remote strobe power supply designed to alternately flash two remote strobe heads at a rate of 70 double flashes per minute each. The unit is small for easy mounting in hard to fit areas. The 772P is fully potted making it vibration and water resistant. For 100% weatherproof application specify -WP weatherproof connectors. The unit features polarity protection, continuous duty circuitry and RFI filters. The 772P operates from 12-28 DC and is fully protected against shorts or opens in the lamp wiring. The power supply is constructed with a glass filled Lexan case and polyurethane potting.

ORDERING INFORMATION

772P-1228 2 Lamp, 45 Watts, DF, 12-28 DC
772P-1228-WP 2 Lamp, 45 Watts, DF, 12-28 DC, WP Connectors

SPECIFICATIONS

Power Requirements:
Draws 4.25 amps avg. @ 12 DC tapering to 2.125 amps avg. @ 24 DC

Output Power Rating:
45 Watts Minimum

Flash Rate:
70 DFPM/Head Minimum

Size:
7.125" (181 mm) X 3.75" (44 mm)

Weight:
2.5 lbs (1.12 kg)

Warranty:
Five year warranty



400-1228/401-1228 Mini NEOBE Power Supply

The model 400 is a low cost remote NEOBE power supply designed to alternately flash any two remote strobe heads at a rate of 60 bursts per minute each. The unit is a tiny 2" X 3" X 1.5" for easy mounting in any area. The 400 is fully potted making it vibration and water resistant. For 100% weatherproof application specify -WP weatherproof connectors. The unit features polarity protection, continuous duty circuitry, and RFI filters. The 400 operates on 12 thru 28 DC and is fully protected against short or opens in the lamp wiring.

ORDERING INFORMATION

400-1228 2 Lamp, 20 Watts, 12-28 DC
400-1228-WP 2 Lamp, 20 Watts, 12-28 DC, WP Connectors
401-1228 1 Lamp, 20 Watts, 12-28 DC
401-1228-WP 1 Lamp, 20 Watts, 12-28 DC, WP Connectors
401-CF-1228 1 Lamp, 20 Watts, 12-28 DC Continuous Flash
401-CF-1228-WP 1 Lamp, 20 Watts, 12-28 DC, CF, WP Connectors

SPECIFICATIONS

Power Requirements
Draws 1.85 amps avg. @ 12 DC tapering to 0.9 amps avg. @ 24 DC

Output Power Rating:
20 Watts Minimum

Flash Rate:
60 Bursts per minute/Head, 6 Flashes per burst

Construction:
ABS Case, Polyurethane Potting

Size:
2" (50mm) X 3" (76.2mm) X 1.5" (38mm)

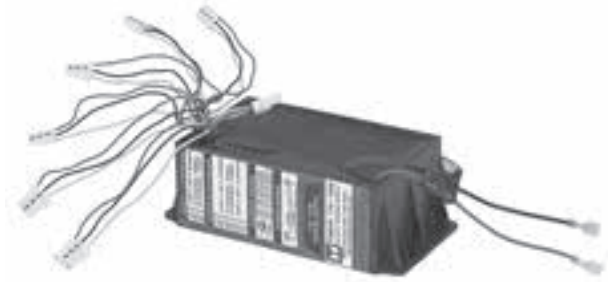
Weight:
0.6 lbs (276mm)

Mounting Holes:
2 Holes, 0.187" Dia. (4.75mm) on 2" (50mm) Centers



770P-1228 Strobe Power Supply

The model 770P remote strobe power supply is designed to alternately flash two groups of remote strobe heads in either high or low intensity and normal or pursuit flash rate. The 770P is controlled manually by 4 customer provided SPST low current switches which select low-high intensity, flash rate, lamp group 1 on-off control and lamp group 2 on-off control. All functions may be wired to allow control by a single low current switch if desired. The 770P operates from 12-28 DC and is fully potted making it vibration and water resistant. For 100% weatherproof applications specify the -WP weather proof connectors. It also features polarity protection, heavy duty precision circuitry and RFI filters. The power supply is constructed with a glass filled Lexan case and polyurethane potting.



776-1228 Strobe Power Supply

The model 776 remote strobe power supply is designed to alternately flash two groups of remote strobe heads in either high or low intensity and normal or pursuit flash rate. The 776 is controlled manually by 4 customer provided SPST low current switches which select low-high intensity, flash rate, lamp group 1 on-off control and lamp group 2 on-off control. All functions may be wired to allow control by a single low current switch if desired. The 776 operates from 12-28 DC and is fully potted making it vibration and water resistant. For 100% weatherproof applications specify the -WP weather proof connectors. It also features polarity protection, heavy duty precision circuitry and RFI filters. The power supply is constructed with a glass filled Lexan case and polyurethane potting.

ORDERING INFORMATION

770P-1228	4 Lamp, 65 Watts, with head cut-out circuitry, intensity control, normal and pursuit flash rates, 12-28 DC
770P-1228-WP	Same as above with -WP Connectors

ORDERING INFORMATION

776-1228	6 Lamp, 65 Watts, with head cut-out circuitry, intensity control, normal and pursuit flash rates, 12-28 DC
776-1228-WP	Same as above with -WP Connectors

SPECIFICATIONS

Power Requirements:

Draws 6.0 amps avg. @ 12 DC tapering to 3.0 amps avg. @ 24 DC

Output Power Rating:

65 Watts Minimum in High Intensity
NORMAL Flash Rate, 2 Groups Running

Flash Rate:

NORMAL rate 70 DFPM/Head Minimum (140 FPM Total)
Pursuit rate 170 DFPM/Head Minimum (340 FPM Total)

Control Features:

On-Off and all features are controlled by switching positive, low battery voltage. The main battery power may be left connected to the supply at all times. Current draw is less than 100 microamps in standby.

Size:

7.125" (181mm) X 3.75" (95mm) X 2.50" (64mm)

Weight:

3.5 lbs (1.56 kg)

Warranty:

Five Year Warranty

SPECIFICATIONS

Power Requirements

Draws 6.0 amps avg. @ 12 DC tapering to 3.0 amps avg. @ 24 DC

Output Power Rating:

65 Watts Minimum in High Intensity
NORMAL Flash Rate, 2 Groups Running

Flash Rate:

NORMAL rate 70 DFPM/Head Minimum (140 FPM Total)
Pursuit rate 170 DFPM/Head Minimum (340 FPM Total)

Control Features:

On-Off and all features are controlled by switching positive, low battery voltage. The main battery power may be left connected to the supply at all times. Current draw is less than 100 microamps in standby.

Size:

7.125" (181mm) X 3.75" (95mm) X 2.50" (64mm)

Weight:

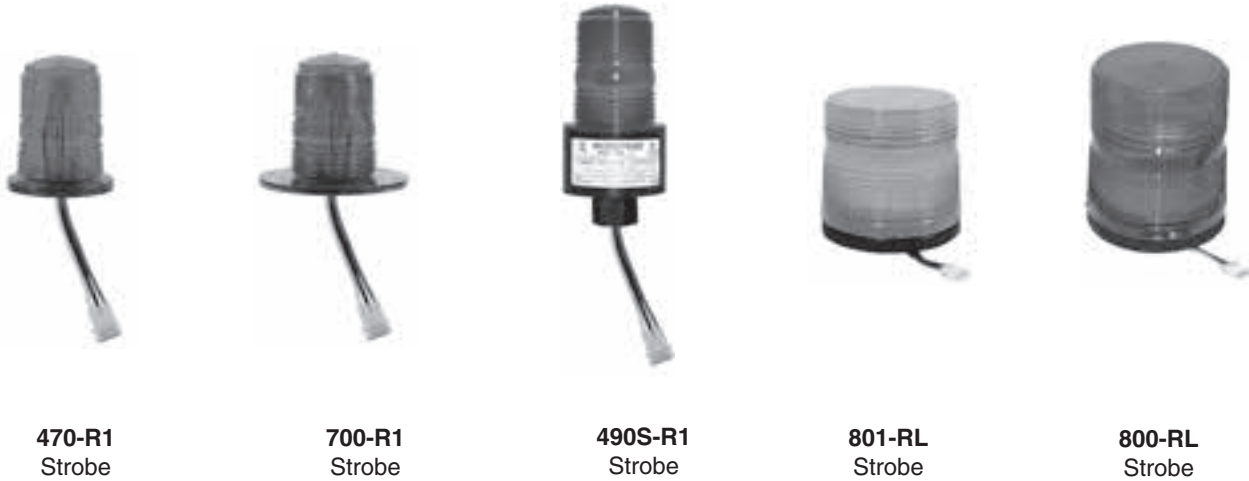
3.5 lbs. (1.56kg)

Warranty:

Five Year Warranty

REMOTE STROBE HEADS 360 DEGREES

by Tomar Electronics



Tomar's remote strobe lighthoods are designed to be used with all Tomar's strobe or NEOBE remote power supplies. Tomar's remote strobe lighthoods feature 360 degree Lexan lenses. The Model 801 remote strobe head features a low profile Lexan MINILITE lens and a lightweight base that can be flange mounted, 1/2" pipe mounted or surface mounted. The Model 800 Remote strobe head features a medium profile Lexan lens and a lightweight base that can be flange mounted, 1/2" pipe mounted or surface mounted. All models have replaceable plug-in lamps except for the 470-R1 and 700-R1 which are hermetically sealed assemblies.

Notes: Model 801-RL and 800-RL are offered with (WP) Weatherproof leads/connectors and should be installed with Power Supplies that contain (WP) connectors.

ORDERING INFORMATION

Model No.		Lens Height
470-R1	Hermetically Sealed 6" Leads	3.25"
700-R1	Hermetically Sealed, Flange Mount	3.25"
490S-R1	Low Profile, 1/2" Pipe Hub, 6" leads	5"
495S-R1	Low Profile, 1/2" Male Thread, 6" Leads	5"
490S-RL-20	Low Profile, 1/2" Pipe Hub, 15' Cable	5"
495S-RL-20	Low Profile, 1/2" Male Thread, 15' Cable	5"
800-RL	1/2" Pipe Mount, 6" Lead	6.75"
800-RL-WP	1/2" Pipe Mount, 6" WP Leads	6.75"
800-RL-15	1/2" Pipe Mount, 15' Cable	6.75"
801-RL	1/2" Pipe Mount, 6" Leads	5.25"
801-RL-WP	1/2" Pipe Mount, 6" WP Leads	5.25"
801-RL-15	1/2" Pipe Mount, 15' Cable	5.25"

ACCESSORIES

700-DC	Clear Lens dust Cover (Model 700-RL)
/LBO-MINI	180 Degree Lens Blackout (Models 470, 490, 495, 700)
802-03	Clear Lens Dust Cover (Model 801)
800/1250-DC	Clear Lens Dust Cover (Model 800)
/LBO-MINILITE	180 Degree Lens Blackout (Model 801)
/LBO-MAXI	180 Degree Lens Blackout (Model 800)
TBO-MAXI	Top Lens Blackout (Models 800, 801)
G802	Heavy Duty Guard (Model 801)
G800	Heavy Duty Guard (Model 800)
800-R1-BASE	Base and Assembly (Models 800, 801)
800-FLG	Flange Mounting Ring (Models 800, 801)

SPECIFICATIONS

Lamp Type	470-RL	Models 800, 801
	3001	Models 490S, 495S
Overall Size	470-RL	3.6" Tall X 2.9" Dia.
	490S	5.0" Tall X 3.0" Dia.
	700	3.6" Tall X 4.0" Dia.
	801	5.25" Tall X 5.5" Dia.
	800	7.25" Tall X 5.5" Dia.
Intensity	Candelas effective, based on a single head. Divide by 2 when using 2 heads that flash simultaneously. Intensities shown in normal mode.	

Power Supply	Model 470-R1, 700, 490S, 495S Intensity in Candelas Effective				
	Clear	Amber	Blue	Green	Red
772P-1228	520	390	160	105	70
774-1228	405	305	125	80	50
776-1228	405	305	125	80	50
	Model 801				
772P-1228	900	620	210	160	150
774-1228	1230	845	290	220	210
776-1228	1230	845	290	220	210
	Model 800				
772P-1228	940	650	220	170	160
774-1228	1370	940	320	245	235
776-1228	1370	940	320	245	235



PAR-36 & PAR-36E Strobe Heads

The model PAR-36 and PAR-36E remote strobe heads are designed to be used with Tomar's strobe power supplies. Tomar PAR lighthouse family of remote strobeheads feature a sealed beam strobe lamp with a Lexan lens. Tomar's PAR-36E EXTENDED LENS remote strobeheads feature Tomar's SIDE OPTICS that create a wide beam spread pattern of light, visible from the front and both sides. The PAR-36 and PAR-36E are available with a choice of black rubber (shown in above picture) or stainless steel shells.

RECT-34 & 37 Strobe Heads

The model RECT-37 and RECT-34 series sealed beam lamps are 100% watertight and features a chrome coated reflector. They are molded from Lexan and designed to fit all popular utility, large mobile equipment and trucks. The RECT-37 & RECT-34 are furnished with a drill template, gasket, and mounting hardware; and can be used with all Tomar power supplies.

ORDERING INFORMATION

- PAR-36B-AMBER** Amber sealed beam strobehead, rubber shell, 15' cable
- PAR-36EB-AMBER** Amber sealed beam, extended lens, rubber shell, 15' cable
- PAR-36ES-AMBER** Amber sealed beam, extended lens, SS Shell, 15' cable
- PAR-36S-AMBER** Amber sealed beam strobehead, SS Shell, 15' cable
- PAR-36-SS** PAR-36 stainless steel shell
- UBKT** Universal SS bracket for PAR-36 or PAR-36E lighthouse
- PAR-36B-S** PAR-36 black rubber shell
- 15C** 15' cable

ORDERING INFORMATION

- RECT-37S-AMBER** Amber remote 3" X 7" rectangular strobe lamp
- RECT-34S-AMBER** Amber remote 3" X 4" rectangular strobe lamp

SPECIFICATIONS

Intensity:

Intensity in Candelas Effective

Power Supply	Amber	Note
772P-1228	2100	
770P-1228 with 1 group on	1500	
770P-1228 with 2 groups on	2930	*
776-1228 with 1 group on	1550	
776-1228 with 2 groups on	2930	*

* Use with outside free air application only

Divide by 2 when using heads that flash simultaneously

Note: Intensity when viewing PAR-36E from side is 20% of the intensity rating to the front.

Warranty: Standard Tomar Warranty

SPECIFICATIONS

Intensity:

Intensity in Candelas Effective, based on a single head

Power Supply	RECT-34S-AMBER	RECT-37S-AMBER
772P-1228	1040	5630
770P-1228	820	8480
776-1228	820	8480

Divide by 2 when using heads that flash simultaneously

Note: Intensity when viewing the RECT-34S from the side is 35% of the intensity rating to the front.

Warranty: Standard Tomar Warranty

Call, fax or email for information on enclosures: (surface mtg., recess mtg., bumper mtg.)

Call: 800-227-9636

Fax: 800-592-4700

Email: sales@maxi-signal.com

REPLACEMENT STROBE LAMPS

by Tomar Electronics



Strobe lamps are high-intensity light sources which use glass and quartz tubing filled with xenon gas to efficiently convert 20 to 50% of the applied electrical energy into optical energy. Similarly, an incandescent light converts only 1 to 3% of the electrical energy into optical energy. An important feature of the xenon strobe lamp is its ability to produce a high peak blue-white light output of short duration. All TOMAR strobe lamps have a trigger coil potted into their assemblies except the low cost model 2001, 5001 and 5002 lamps.

ORDERING INFORMATION

SPECIFICATIONS

Model Number	Min Voltage	MaxVoltage	AvgWatts	Base/Connector	Note
2001	225	450	10	3 PIN AMP	USE EXTERNAL TRIGGER
2002	225	450	10	3 PIN AMP	
3001	180	600	20	OCTAL	
4001	225	600	20	OCTAL	
470-RL-CLEAR, RED, BLUE, AMBER	200	600	20	3 PIN AMP	6" WIRE LEADS
4701 (Note 3)	225	600	20	3 PIN AMP	6" WIRE LEADS
5001	225	400	5	3 PIN AMP	USE EXTERNAL TRIGGER
5002	200	600	1	3 PIN MOLEX	USE EXTERNAL TRIGGER
6001	225	800	40	OCTAL	NON-POLAR
7001	600	2000	300	OCTAL-LARGE	QUARTZ FORCED AIR COOL
9001 (Not Shown)	225	800	20	3 PIN AMP	
PAR-36-ALL COLORS	225	600	20	3 PIN AMP	
PAR-36E-RED, BLUE & AMBER	225	600	20	3 PIN AMP	
PAR-56-ALL COLORS	225	600	40	3 PIN AMP	
700-R1-ALL COLORS	180	600	20	3 PIN AMP	

Electrical Notes

- All lamps are triggered by discharging a 0.22 MFD capacitor charged to 200 VDC into the trigger connection.
- All lamps are polarity sensitive except the 6001.
- Rubber friction mount base mounts in 1" Dia. hole.

W	C	Octal	Pin 2 – Anode, Pin 3 – Trigger,
I	O	(Except 7001)	Pin6— Cathode & Trigger Grd.
R	N	Octal Large	Pin 2 – Anode, Pin 3 – Trigger, Pin 5 –
I	N	(7001 Only)	Trigger Grd, Pin 6 – Cathode
N	E	3 Pin Amp	Pin 1— Anode, Pin 2 – Cathode,
G	C	Mate-N-Lok	Pin 3 – Trigger
T	O	5001	Pin 1 – Trigger HV, Pin 2 – Cathode,
R			Pin 3 – Anode
S		2001	Pin 1 – Anode, Pin 2 – Trigger,
			Pin 3 – Cathode

INDEPENDENT SALES REPRESENTATIVES

WI, Northern IL

AAD Ltd.
Tony Di Viesti
529 South Western Avenue
Park Ridge, IL 60068

Voice: 847.825.4680
aadlimited@aol.com

Fax: 847-825-4883
Cell: 847-571-1936

OH, WV, Western PA, Eastern KY & Western NY

James J. Fairbanks Inc.
7342 Hubbard Bedford Road
Hubbard, OH 44425

Voice: 330-534-1374
jjfstrobe@aol.com

Fax: 330-534-2745

Central TN, AL, GA, FL

Thomas Agency Inc.
2704 Commerce Square East
Birmingham, AL 35210
www.thomasagency.com

Voice: 205-951-3100
edthomas@thomasagency.com

Fax: 205-951-3005
Cell: 205-253-7633

Steve Mikkleson - Florida
320 Valera Ct.
Winter Park, FL 32789

Voice: 407-647-8111
ThomasagcyFL@aol.com

Fax: 407-647-4736
Cell: 407-923-7290

ME, NH, VT, MA, RI, CT

Slowe Associates
3 Grand View Terrace
Quincy, MA 02170

Voice: 617.773.8400
tomslowe@aol.com

Fax: 617-773-5814

NC, SC & Eastern TN

John Hutson Company
803 Floyd St.
Kings Mountain, NC 28086
704-730-8320,
Mike@johnhutsoncompany.com

Fax: 704-730-8321

MICHIGAN

J. R. Gorman and Associates, LLC
3493 Ramada Drive
Highland, MI 48356

Voice: 248.887.0337
gormanjr@juno.com

Fax: 248-887-8399
Cell: 248-408-6857

IN & Western KY

Advanced Industrial Marketing, Inc.
10300 Springstone Road
McCordsville, IN 46055

Voice: 800-556-6981 X 701
rhruskoci@advindmktg.com

Fax: 317-577-9515

TX, OK, AR, LA, & Western TN

Orr Sales Inc.
3 Misted Lilac Place
The Woodlands, TX 77381

Voice: 713-828-8715
bbsborr@aol.com

Fax: 936-321-6715

MD, NJ, DE, Eastern PA

Pow-R-Motion & Control, Inc.
21 Wilson Ave.
West Chester, PA 19382

Voice: 610.696.7664
Sales@Pow-R-Motion.com

Fax: 610-430-0130
www.pow-r-motion.com

VIRGINIA

Ray Fayle Agency
2703 Walnut Creek Ct
Midlothian, VA 23112

Voice/Fax: 804-562-9428
Raymond.Fayle@comcast.net

Cell: 804-356-9284

Southern IL, MO, KS, IA, NE

Mocker and Associates Inc.
201 Vest Ave.
Valley Park, MO 63088

Voice: 636-227-4777
Sales@mocker.cc

Fax: 636-277-0807
Cell: 314-323-0011



MAXI-SIGNAL PRODUCTS

division of **mill specialties**

TOLL FREE PHONE 800-227-9636 • FAX 800-592-4700
www.maxi-signal.com • E-mail: sales@maxi-signal.com



Printed in the U.S.A. on Recycled Paper



MAXI-SIGNAL PRODUCTS

division of **mill specialties inc.**

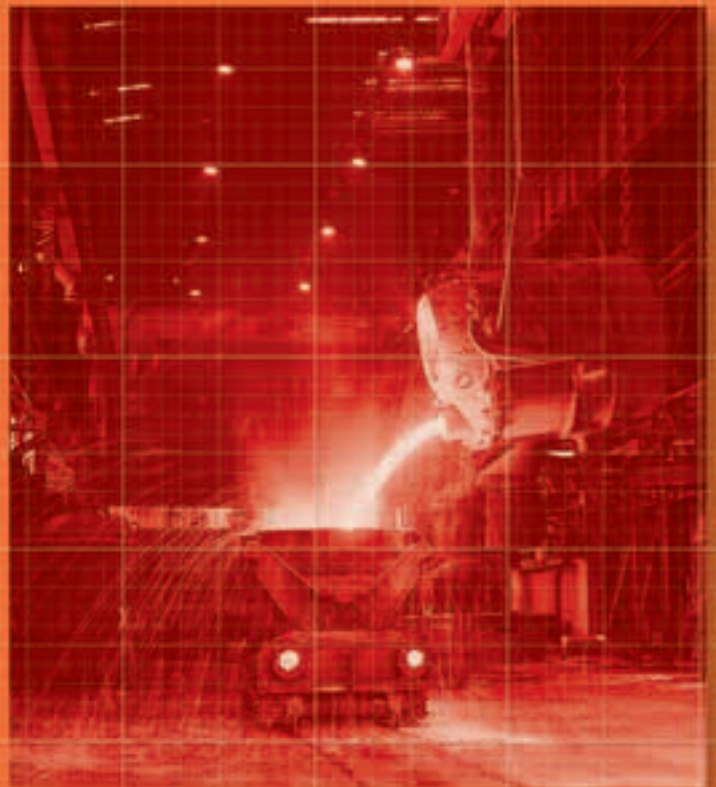
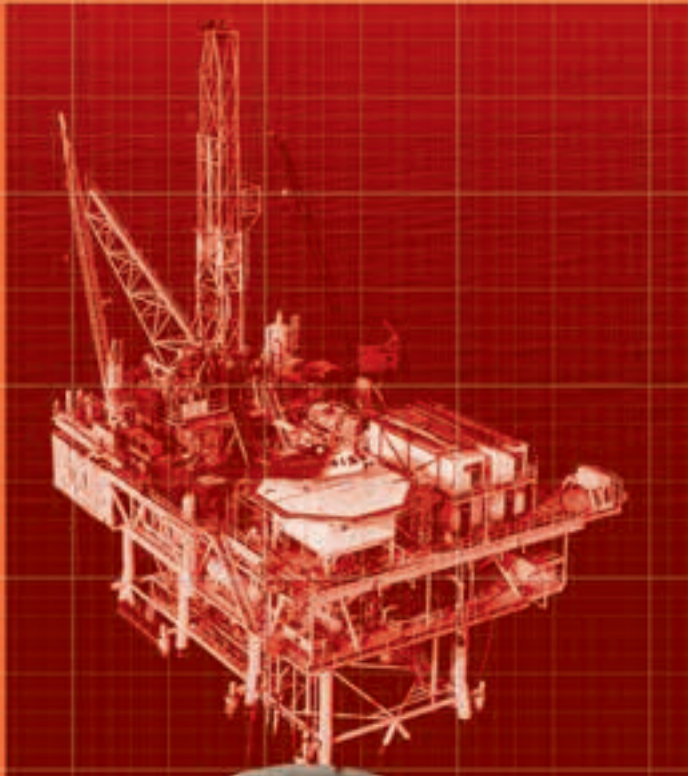
CATALOG NO. 2011
Rev 1, November 2011

www.maxi-signal.com

E-mail:

sales@maxi-signal.com

TOLL FREE PHONE 800-227-9636 • FAX 800-592-4700



SERVING THE INDUSTRY FOR 41 YEARS

Dear Customer,

It is the goal of Maxi-Signal to provide you an easy to use catalog of signals, lighting and safety equipment. Every effort is made to keep current and make certain you are offered the highest quality and best value.

We are confident all goals have been met and assure you fast, friendly service. All warehouse facilities are computerized and have telecommunication links for immediate order processing.

Please feel free to inquire about other products. Our sales application engineers are eager to assist you. Outside sales engineers are also available for field assistance.

Sincerely,



Local (708) 354-4730

Fax (708) 354-0168

Toll Free (800)227-9636

Toll Free Fax (800)592-4700

www.maxi-signal.com

Email:sales@maxi-signal.com

**Specifications and prices
subject to change without
prior notice.**

CONTENTS

STROBES/LEDS

Microstrobe® Lift Truck and General Purpose Strobes	1
MicroLED Lift Truck LED Flasher	2
Single Flash Automotive Strobes	3
Single Flash High Intensity Strobes	4
Double/Quad Flash High Intensity Low and Medium Profile Strobes	5
Porta-Strobes & MINISTROBES®	6
POWER STROBES® Heavy Duty Rough Service Strobes	7
Explosion Proof Weatherproof Strobes	8
Super Explosion Proof Weatherproof, Very High Intensity Strobes	9
Division 2 Hazardous Location Strobes	10
Model 4000X Div. 2 Strobes	11
MicroLert Mini LED	12
Series 3000 LED Explosion Proof Signal	13
Series 7000 LED Super Explosion Proof Signal	14
Model 2000XL Div. 2 LED	15

SIRENS

POWER ALARMS® Multisound Audible Alarms	16
Horns, Bells and Sirens	17
Explosion Proof Bells and AC/DC Bells	18
Backup Alarms	19
Sirens and Multitone Horns	20

MISCELLANEOUS SIGNALS

Revolving, and Flashing Lights	21
Multi-Tone Horn and LED or Strobe Warning Light Combo	22
Single-Tone Horn and LED or Strobe Warning Light Combo	23

STATUS LIGHTS

Strobe Status Lights	24
MicroStack Status Lights	25
MicroLert Status LED Lights	26
250 DC Steady Burn LED Crane Status Lights	27
120 AC Steady Burn LED Crane Status Lights	28
120 AC & 250 DC Steady Burn LED Status Lights W/O Lens	29

LIGHTING EQUIPMENT

LED Flood Lights	30
LED Tunnel Lights	31
LED 50 Watt Flood Light with Heavy Duty Magnet	32
LED 200 Watt Flood Light	33
Circle D Heavy Duty Floodlights	34
Metal Halide Crane Lights	35
250 DC Mercury Vapor & High Pressure Sodium Crane lights	36
250 VDC Ballasts and Shock Mounts	37
Heavy Duty Quartz and Seal Beam Flood lights	38
Self-Ballasted Mercury Vapor Lamps	39

FANS & HEATERS

Fans	40
Unit and Portable Heaters	41
Crane Cab Heaters	42

FIRE ALARM PULL BOXES

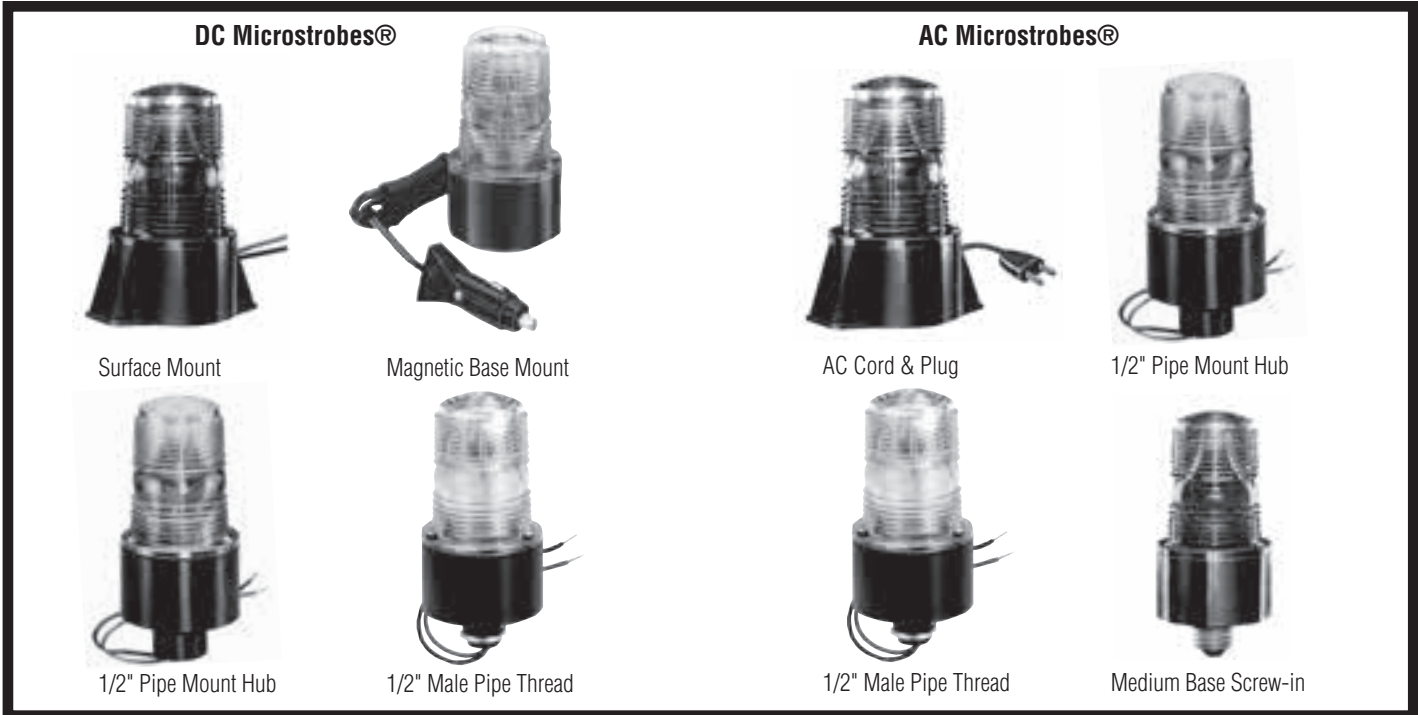
Indoor, outdoor and Explosion Proof Pull Boxes	43
--	----

REMOTE STROBE HEADS & POWER SUPPLIES

Two Outlet Strobe Power Supplies	44
Four and Six Outlet Power Supplies	45
Remote 360 Degree Strobe Heads	46
Remote PAR and RECT Strobe Heads	47
Replacement Strobe Lamps	48
Sales Representative Information	Outside Back Cover

MICROSTROBE™ IV EXTENDED 10 YEAR WARRANTY

Except for xenon strobe lamps, TOMAR Electronics Inc. warrants the MICROSTROBE™ IV strobe against defects in material and workmanship for 10 years from the date of manufacture. At its option and at no cost to the purchaser, TOMAR will either repair or replace products covered by its warranty. To qualify for warranty service products must not be physically damaged. All products requiring warranty service shall be returned to TOMAR within 10 years from the date of manufacture, shipped prepaid. Tomar will return repaired or replaced products to the purchaser via prepaid ground transportation. Xenon strobe lamps are warranted for 1 full year from the date of manufacture. TOMAR assumes no liability for cost incurred in removing or reinstalling products requiring service. This warranty gives you specific legal rights. You may also have other rights which may vary from state to state.



FORK TRUCK STROBES - DC Models

The MICROSTROBE® IV strobe family is an enhanced version of the MICRO III featuring a new screw-on 100% water-tight lens and power supply which can operate from a very wide input voltage range of 12 through 80 VDC or 16 through 24 VAC. The supply has a regulated output so that the lamp brightness and flash rate remain constant over the entire input voltage range. The power supply is potted in polyurethane for the ultimate in protection from shock and vibration. The enclosure is 100% Lexan Type 4X, and the plug-in strobe lamp is field replaceable. All units are polarity protected and have built-in filters to protect against radio interference and spike voltages. The MICROSTROBE® IV is protected with a **TEN YEAR WARRANTY**. See opposite page.

SPECIFICATIONS

• Intensity

CLEAR	50 Candela
AMBER	40 Candela
BLUE	20 Candela
RED	10 Candela
GREEN	20 Candela

- 1.75 Joules per flash, power supply output 2.7 Watts
- 60 to 80 flashes per minute
- UL component listed, type E, ES & EE Electric Trucks
- 5" Tall X 3" Dia., 0.6 lbs.
- **TEN YEAR WARRANTY**

470S-1280	Surface Mount
470SMB-1280	Magnetic Mount with 6 ft. cord & cigar plug.
490S-1280	1/2" Pipe Mount Hub
495S-1280	1/2" Male Pipe Thread
470SMB-1280/CC	Magnetic Mount w/ 10' coiled cord & cigar plug

Options & Parts

G470	Guard
5001	Flashtube
470S-L	Lexan Lens
BKT	L Mounting Bracket
LBO	180 Degree lens black out (NC if ordered with unit)

MICROSTROBES® - AC Models

For general purpose visible signals the versatile MICROSTROBE® does it all. Choose from several mounting styles - even a medium base light bulb socket model. The most recent models have been upgraded to polyurethane potted power supplies with screw-on Lexan lenses, creating a 100% water-tight Type 4X enclosure.

Application Note for 120 VAC Units

120 VAC units that are going to be switched on-off with a solid state relay should be ordered with option **/TRIAC-SW** to prevent false operation from snubber leakage current.

SPECIFICATIONS

• Intensity

CLEAR	50 Candela
AMBER	40 Candela
BLUE	20 Candela
RED	10 Candela
GREEN	20 Candela

- 1.75 Joules per flash, power supply output 2.7 Watts
- 60 to 80 flashes per minute, -40F to +150F Temperature Range
- All models UL Listed
- Low power consumption 0.04 amps @ 120 VAC
- 5" tall X 3" Dia., 0.6 lbs.
- **Two Year Warranty**

480S-120	AC Cord & Plug Surface Mount
490S-120	1/2" Pipe Mount Hub
495S-120	1/2" Male Pipe Thread
485S-120	Medium Base Socket Screw-in
470SSGP-120	Wall Plate Mount (not shown)
490S-240	240 AC 1/2" Pipe Mount
495S-240	240 AC Male Pipe Thread
485S-240	240 AC Medium Base Mount

Options & Parts

G470	Guard
5001	Flashtube
470S-L	Lexan Lens
/TRIAC-SW	Leakage current bypass

12-80 VDC microLED FORK TRUCK FLASHING LED LIGHTS



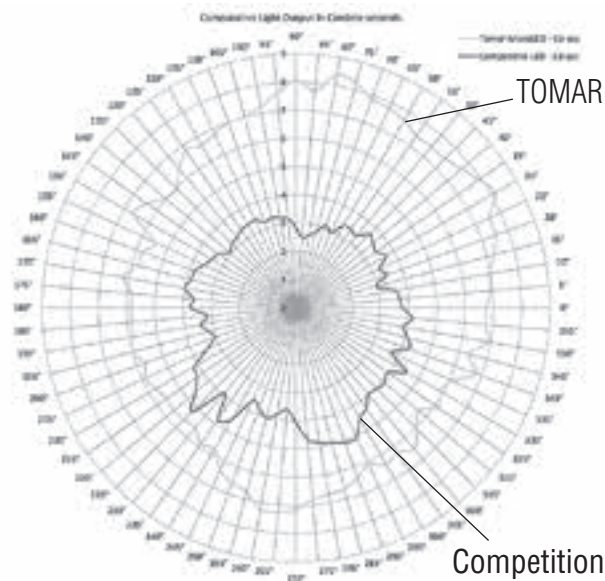
Surface Mount



1/2" Pipe Mount



1/2" Thread Mount



The MicroLED is the ideal choice for Lift Truck applications; offering excellent flash intensity rivaling strobe lights, durable vibration resistant construction, long life 100,000 hour LED technology, backed up with a five year warranty.

The above chart illustrates the superior technology employed by Tomar Electronics in the design of the MicroLED Lift Truck Flasher. It out-performs the competition easily. The vertical and horizontal flash intensity is bright enough to be visible on the ceiling and walls of warehouse aisles, helping locate a Lift Truck hidden by surrounding merchandise.

The tough Lexan Lens is spun welded to the base to completely seal out moisture. The MicroLED is UL recognized and manufactured to NEMA 4X specifications. It's available in three colors (Amber, Blue and Red).

SPECIFICATIONS:

- 5 Year Warranty
- Voltage and Amperage: 200 mA @ 24 VDC, 100 mA @ 48 VDC, 50 mA @ 100 VDC
- Operating Temperature: -40+65 C
- NEMA 4X
- UL Recognized
- 12-80 VDC
- 100,000 hour LED
- Lexan Lens
- Neobe[®] Flashing Technology - 75 FPM
- Pipe, Thread or Surface Mount
- Sealed Construction - NEMA 6P Capable
- 3 LED Colors - Amber, Blue, Red
- Size: 3" Dia. X 4.5" High, 3.4" bolt hole centers
- Weight: 0.45 Lbs.

370L-1280-(color)

Surface Mount 12-80 VDC

390L-1280-(color)

1/2" Pipe Mount 12-80 VDC

395L-1280-(color)

1/2" Thread Mount 12-80 VDC

G470

Heavy Duty Guard

BKT

L Mounting Bracket



Model 500P-1228 Three Bolt or 1/2" Pipe Mount
Meets FAA AC 150/5210-5D (amber only)



Model 550P-1274 Three Bolt or 1/2" Pipe Mount

500P MICRO LITE™ MULTI-VOLTAGE INPUT

The model 500P family is a low profile single flash strobe featuring a dual input voltage rating of 12 thru 28 VDC, three bolt mount and 1/2" pipe mount, Lexan lens, hi-efficiency regulated solid state potted power supply and heavy duty xenon strobe lamp. All units are polarity protected and have built-in filters to protect against radio interference and spike voltages. The model 500P features a fully potted, Lexan, multipurpose mounting base which is vibration and water resistant, and has a field replaceable plug-in strobe lamp.

SPECIFICATIONS:

- **Intensity:**

CLEAR	200 Candela eff.
AMBER	170 Candela eff.
BLUE	95 Candela eff.
RED	40 Candela eff.
GREEN	80 Candela eff.

- 6 joules per flash, power supply output 8 Watts
- 70-90 flashes per minute
- 5.25" Tall X 5.5" Dia. 2.0 lbs.
- **2 Year Warranty**

500P-1228 12 thru 28 VDC, 0.8 A avg. @ 12 VDC, 0.4 A avg @ 24 VDC

500PMB-1228 12 thru 28 VDC with magnetic base & coiled cord.

500PMBSC-1228 12 thru 28 VDC with magnetic base & straight cord.

Note: Standard Models do not include a mounting flange (ring). If required, please order from the parts list below.

Options & Parts

2001 Strobe lamp

LBO-MINILITE 180 degree lens black out

TBO-MAXI Top lens black out

BKT L Mounting bracket

802-03 Lens dust cover

G802 Guard

500-1228-BASE 12-28 VDC Power Supply

800-FLG Mounting Flange (ring)

550P MICRO LITE™ MULTI-VOLTAGE INPUT

The model 550P family is a low profile single flash strobe light featuring a multiple input voltage rating of 12 thru 74 VDC, three bolt and 1/2" pipe mount, Lexan lens, hi-efficiency regulated solid state potted power supply and heavy duty xenon strobe lamp. All units are polarity protected and have built-in filters to protect against radio interference and spike voltages. The model 550P features a fully replaceable plug-in strobe lamp, and is UL component recognized for use on type E, EE and ES electric industrial trucks covered by UL standard #583 under file number AU2049.

SPECIFICATIONS:

- **Intensity:**

CLEAR	270 Candela eff.
AMBER	230 Candela eff.
BLUE	125 Candela eff.
RED	55 Candela eff.
GREEN	110 Candela eff.

- 12 joules per flash, power supply output 11 Watts
- 70-90 flashes per minute
- 5.25" Tall X 5.5" Dia. 2.0 lbs.
- **2 Year Warranty**

550P-1274 12 thru 74 VDC, 1.25 A avg. @ 12 VDC, .20 A avg. @ 74 VDC

550PMB-1274 12-74 VDC with magnetic base & coiled cord

550PMBSC-1274 12-74 VDC with magnetic base & straight cord.

Note: Standard models do not include a mounting flange (ring). If required please order from the parts list below.

Options & Parts

2001 Strobe lamp

LBO-MINILITE 180 degree lens black out

TBO-MAXI Top lens black out

BKT L Mounting bracket

802-03 Lens dust cover

G802 Guard

550-1274-BASE 12-74 VDC Power Supply

800-FLG Mounting Flange (ring)

SINGLE FLASH HIGH INTENSITY STROBES



Flange Mount Standard on all DC Models



Flange Mount Standard on all DC Models

MAXI I™ STROBE MULTI-VOLTAGE INPUT

A medium profile single flash strobe of over one million candle power for high intensity applications. The MAXI I STROBE can be seen in bright sunlight and has built-in filters to protect against radio interference and spike voltages.

- Potted circuit board protects against moisture, shock and vibration
- Multi-mount base design...Flange...1/2" pipe mount...Thru bolts.

6.75" Tall X 5.5" Dia. 2.2 lbs.

SPECIFICATIONS:

Intensity

CLEAR	480 Candela eff.
AMBER	400 Candela eff.
BLUE	220 Candela eff.
RED	95 Candela eff.
GREEN	190 Candela eff.

- 8 joules per flash.
- 80-95 FPM.
- 5 year extended warranty.

804-110 120 VAC, 0.17 A, UL Listed, Type 4X.

804-240 240 VAC, 0.12 A, UL Listed, Type 4X.

804-1274 12-74 VDC, 1.25 A @12 VDC

804LC-110 120 VAC Strobe with AC cord and Plug, UL Listed, Type 4X.

804MB-1274 12-74 VDC with Magnetic Base and Coiled Cord

Note: Flange not included with AC models. If required, please order from the parts list below.

Options & Parts

LBO-MAXI 180 degree lens black out

TBO-MAXI Top lens black out

4001 Flash tube

G800 Guard

800/1250-DC Clear dust cover

BKT L mounting bracket

1700 Lexan Lens

800-FLG Mounting flange

MINI LITE I™ STROBE MULTI-VOLTAGE INPUT

A low profile single flash strobe of over one million candle power, for applications where overhead clearance is a problem. The MINI LITE I is bright enough for outdoor applications in bright sunlight and has built-in filters to protect against radio interference and spike voltages.

- Potted circuit board protects against moisture, shock and vibration.
- Multi-mount base design...Flange...1/2" pipe mount...Thru bolts.

5.25" Tall X 5.5" Dia. 2 lbs.

SPECIFICATIONS:

Intensity

CLEAR	400 Candela eff.
AMBER	340 Candela eff.
BLUE	185 Candela eff.
RED	80 Candela eff.
GREEN	160 Candela eff.

- 8 joules per flash.
- 80-95 FPM.
- 5 year extended warranty.

801-110 120 VAC ,0.17A, UL Listed, Type 4X.

801-240 240 VAC, 0.12 A, UL Listed, Type 4X.

801-1274 12-74 VDC, 1.25 A @ 12 VDC

801LC-110 120 VAC strobe with AC Cord & Plug, UL Listed, Type 4X.

801MB-1274 12-74 VDC with Magnetic base and Coiled Cord

Note: Flange not included with AC models. If required, please order from the parts list below.

Options & Parts

LBO-MINILITE 180 degree lens black out

TBO-MAXI Top lens black out

4001 Flash tube

G802 Guard

802-03 Clear dust cover

BKT L mounting bracket

801-L Lexan lens

800-FLG Mounting flange

DOUBLE/QUAD FLASH HIGH INTENSITY STROBES



Flange Mount Standard on all DC Models



Flange Mount Standard on all DC Models

MULTI STROBE DOUBLE/QUAD FLASH

A medium profile double or Quad flash strobe of over one million candle power for high intensity applications. The MULTI STROBE can be seen in bright sunlight and has built-in filters to protect against radio interference and spike voltages.

- Potted circuit board protects against moisture, shock and vibration.
- Photocell to automatically adjust the intensity from day to night.
- Multi-mount base design...Flange...1/2" pipe mount...Thru bolts.
- Field selection of flash rate: Double or Quad by clipping a wire.

SPECIFICATIONS

Intensity	Double Flash	Quad Flash
CLEAR	1020 Candela eff.	1200 Candela eff.
AMBER	720 Candela eff.	1020 Candela eff.
BLUE	240 Candela eff.	560 Candela eff.
RED	160 Candela eff.	210 Candela eff.
GREEN	165 Candela eff.	480 Candela eff.

- 17 Joules per Double Flash
- 70-80 DFPM, 60-70 QFPM
- -40C to +71C
- 25 Joules per Quad Multi Flash
- 6.75" Tall X 5.5" Dia. 2.2 lbs.
- 5 year extended warranty.

824-110 120 VAC, 0.8 A Peak, 0.5 to 0.6 A avg.
824-1228 12-28 VDC, 2.2 to 2.4 A avg. @ 12 V., 1.2 to 1.4 A avg @ 28 V
824MB-1228 Mag. base w/ 10' coiled cord and Cig. plug
824MBSC-1228 Mag. base w/ straight cord and Cig. plug
824LC-110 120 VAC w/AC C & P
824-240 240 VAC, 0.8 A Peak, 0.5 to 0.6 A avg.
 Note: Flange not included with AC models. If required, please order from below.

Options & Parts

LBO-MAXI 180 degree lens black out
TBO-MAXI Top lens black out
4001 Flash tube
G800 Guard
800/1250-DC Clear dust cover
BKT L mounting bracket
1700 Lexan Lens
800-FLG Mounting flange

MINI LITE II™ STROBE DOUBLE/QUAD FLASH

A low profile double or Quad flash strobe of over one million candle power, for applications where overhead clearance is a problem. The Mini Lite II is bright enough for outdoor applications in bright sunlight and has built-in filters to protect against radio interference and spike voltages.

- Potted circuit board protects against moisture, shock and vibration.
- Photocell to automatically adjust the intensity from day to night.
- Multi-mount base design...Flange...1/2" pipe mount...Thru bolts.
- Field selection of flash rate: Double or Quad by clipping a wire.

SPECIFICATIONS

Intensity	Double Flash
CLEAR	750 Candela eff.
AMBER	525 Candela eff.
BLUE	175 Candela eff.
RED	115 Candela eff.
GREEN	120 Candela eff.

- 17 Joules per Double Flash
- 68 to 72 DFPM, 58 to 62 QFPM
- 5 year extended warranty.
- 25 Joules per Quad Multi Flash
- 5.25" Tall X 5.5" Dia. 2 lbs.

8024-110 120 VAC, 0.8 A Peak, 0.5 to 0.6 A avg.
8024-1228 12-28 VDC, 2.2 to 2.4 A @ 12 V, 1.2 to 1.4 A avg @ 28 V
8024MB-1228 Mag. base w/ 10' straight cord and Cig. plug
8024MBSC-1228 Mag. base w/ coiled cord and Cig. plug
8024LC-110 120 VAC w/AC C & P
8024-240 240 VAC, 0.8 A Peak, 0.5 to 0.6 A avg.
 Note: Flange not included with AC models. If required, please order from below.

Options & Parts

LBO-MINILITE 180 degree lens black out
TBO-MAXI Top lens black out
4001 Flash tube
G802 Guard
802-03 Clear dust cover
BKT L mounting bracket
801-L Lexan lens
800-FLG Mounting flange



PORTA-STROBE™

This battery operated strobe flasher provides a highly visible flash for a wide variety of applications. Use anywhere a bright portable flasher is needed with a pair of 6 V lantern batteries or our rechargeable version.

- 3 joules flash intensity @ 60 FPM.
- Impact resistant Lexan lens.
- Magnetic base option.
- 24 hour battery life.
- medium or low profile lens.
- 100% weatherproof
- 300 milliamp draw

7400	Medium profile 6" tall lens
7401	Low profile 4" tall lens
7400-MB	Medium profile mag. base
7401-MB	Low profile mag. base
7400/RC	Med. profile Rechargeable
7401/RC	Low profile Rechargeable
7400-MB/RC	Med. profile mag. base Rechargeable
7401-MB/RC	Low profile mag. base Rechargeable
460	6 V spring type lantern battery (two required)
PS-650LS	Twin rechargeable battery pack
PSC-6500A-C	Charger

Note: Rechargeable models include the battery pack. For non-rechargeable models please order (2) two number 460 batteries separately.

PORTA-LED™

This battery operated LED flasher provides a highly visible flash for a wide variety of applications. Industrial users will find it useful for maintenance personnel on job sites where power is not available or inconvenient to connect. A magnetic base option is available for secure mounting.

The LED bulbs provide life in excess of 100,000 hours and draw so little current, that battery life is measured in hundreds of hours.

Use the PORTA-LED™ anywhere a bright portable flasher is needed with a pair of 6 Volt lantern batteries. (batteries not included)

Dimensions: Lens: 5" dia. X 3" high. Case: 5" H X 7" W X 3" Deep.

7600-LED-A	Amber PORTA-LED™
7600-LED-R	Red PORTA-LED™
7600-LED-MB-A	Amber magnetic base PORTA-LED™
7600-LED-MB-R	Red magnetic base PORTA-LED™
460	6 Volt spring type lantern battery (two required)

Notes: 1. Other colors available upon request

The MINI STROBE® family is a single flash heavy duty strobe light featuring all aluminum housing, flange mount, lexan lens, and plug-in strobe lamp. The DC units are component recognized by UL for use on electric fork lift trucks.

SPECIFICATIONS

• Intensity	8 Joule	15 Joule
CLEAR	185 Candela	360 Candela
AMBER	160 Candela	300 Candela
BLUE	85 Candela	160 Candela
RED	40 Candela	80 Candela
GREEN	70 Candela	140 Candela

- Power Supply Output 11 Watts
- Current Draw: 1.25 Amps @ 12 DC, 0.2 @ 74 DC.

- Current Draw: 0.17 Amps @ 120 AC, 0.12 @ 240 AC.

- 80 to 95 Flashes per Minute
- UL AU 2049 for E, ES, & EE trucks.
- 8 joule power supply 700 family
- 15 joule power supply 700-110-15J
- 6" Tall X 4.7" Dia., 1.3 lbs.

• TWO YEAR WARRANTY

700-110	120 VAC, 50/60 hz, 0.17 A
700-240	240 VAC, 50/60 hz, 0.12 A
700-1274	12-74 VDC, 1.25 a @ 12 V
700-110-15J	120 VAC, 50/60 hz, 15 J
700-120DC	120 VDC, 0.1 amps

Options & Parts

700-G	Guard
BKT	L mounting bracket
3001	Strobe lamp
700-L	Lexan Lens
6001	Strobe lamp (700-110-15J)
/PM1	1/2" pipe mount (factory installed)

GLASS LENS POWER STROBE®

The glass lens POWER STROBE® offers users with heavy duty applications a visible signal that will operate trouble free in the day-to-day environment of steel mills and similar facilities with corrosive, high temperature, shock and vibration conditions. The glass lens POWER STROBE® is the best choice for cranes, transfer cars, hot mills and coke plants.

Select from two power supplies, 10 or 15 joules and a stainless steel enclosure option. (15 joule power supply is for 120 VAC only)

- 1,000,000/1,500,000 peak candle power flash, 90 FPM
- NEMA 4 steel enclosure standard, optional stainless steel available
- 250 VDC models are provided with transient surge voltage protection
- Ambient temperature -55C to +85C
- 9" H X 6" W X 6" D, 10 lbs

3000-GLASS 250 VDC, 10 joules, 0.07 amps

3200-GLASS 120 VAC, 10 joules, 0.17 amps

3300-GLASS 240 VAC, 10 joules, 0.12 amps

3200-GLASS/HP 120 VAC, 15 joules, 0.25 amps

OPTIONS

/SS Stainless steel enclosure

PARTS

3001 Strobe lamps

3006A Glass Lens

140030 Guard for glass lens

6001 Strobe lamp for HP models



REMOTE MAXI LENS POWER STROBE®

Basic unit with remote power supply and Maxi lens for application that could damage the power supply.

- Lens: 6.75" tall X 5.5" dia.
- Power Supply: 8" tall X 6" W X 4" Deep

COMPLETE UNITS

3000/RML 250 VDC, 10 joules, 0.07 amps

3200/RML 120 VAC, 10 joules, 0.17 amps

3300/RML 240 VAC, 10 joules, 0.12 amps

3200HP/RML 120 VAC 15 joules, 0.25 amps

OPTIONS

/SS Stainless steel enclosure



MAXI POWER STROBE®

Basic unit with high profile lexan lens to give larger, brighter flash.

- 1,000,000 CP @ 90 FPM
 - 9" tall X 6.74" square, 6.5 lbs.
 - Optional 15 joule 120 VAC power supply
- 3000ML** 250 VDC, 10 joules, 0.07 amps
3200ML 120 VAC, 10 joules, 0.17 amps
3300ML 240 VAC, 10 joules, 0.12 amps
3200ML/HP 120 VAC, 15 joules, 0.25 amps

OPTIONS

/SS Stainless steel enclosure

/GP Heavy duty guard for ML version



REMOTE GLASS LENS POWER STROBE®

The remote glass lens POWER STROBE® has the same features as the standard lens version, except it will give the user a visible signal that can be operated in elevated temperatures or where conditions require the electronic circuitry to be out of harm's way.

Enclosure: 8" X 6" X 4", 6 lbs. Lens: 6 1/2" dia. X 5" high, 4 lbs.

COMPLETE UNITS

3000/R-GLASS 250 VDC Remote glass lens, 10 joules, 0.07 amps

3200/R-GLASS 120 VAC Remote glass lens, 10 joules, 0.17 amps

3300/R-GLASS 240 VAC Remote glass lens, 10 joules, 0.12 amps

3200/R/HP-GLASS 120 VAC Remote glass lens, 15 joules, 0.25 amps

SEPARATE COMPONENTS

3015-GLASS Glass lens strobe head

3000-PS 250 VDC, 10 joule power supply

3200-PS 120 VAC, 10 joule power supply

3300-PS 240 VAC, 10 joule power supply

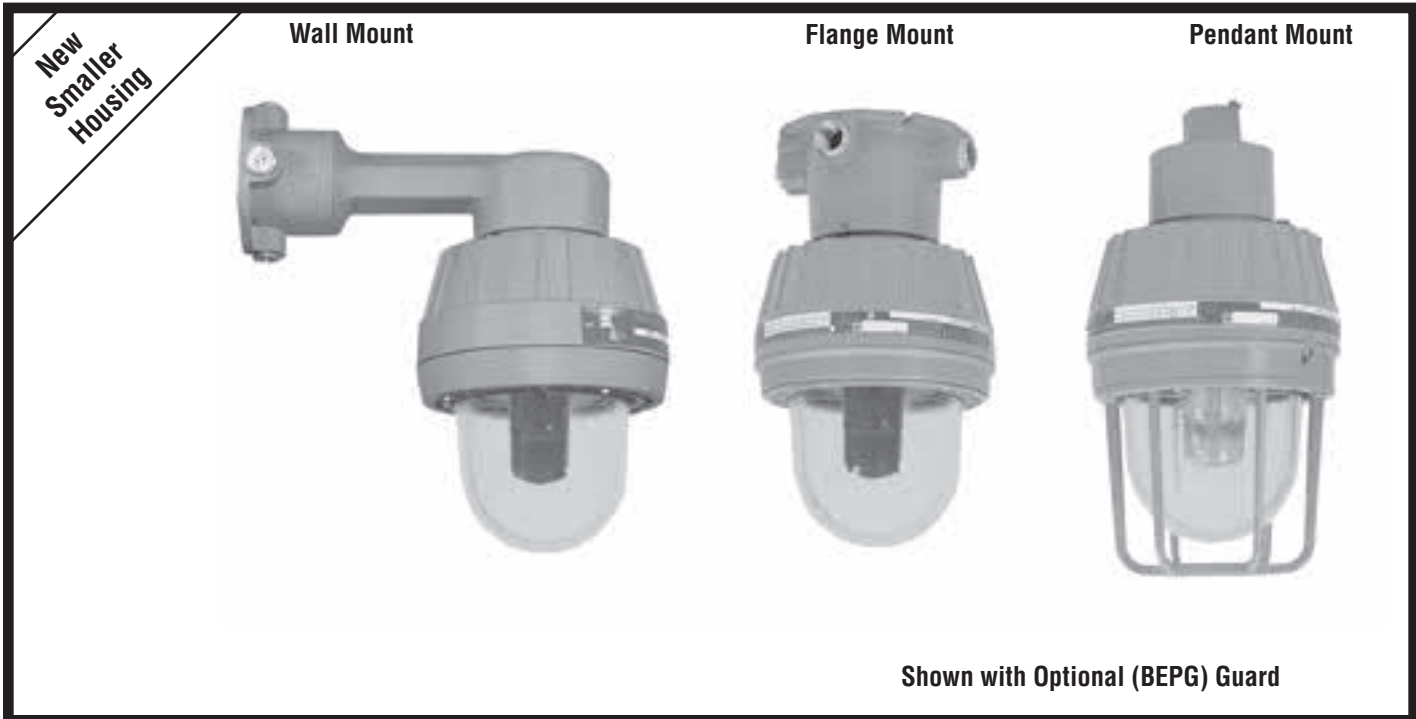
3200-PS/HP 120 VAC, 15 joule power supply

/SS Stainless steel enclosure option

Specify lens color when ordering.

EXPLOSION PROOF STROBES

by Tomar Electronics



Shown with Optional (BEPG) Guard

These models of single flash explosion proof UL listed strobe lights are designed for operation in hazardous areas rated Class I Group C & D and Class II group E, F, & G. Design features include a housing made of die cast high strength copper-free aluminum alloy with baked powder epoxy

finish, stainless steel hardware, O-ring sealed prestressed glass globe with double pitch acme threads for smooth assembly and ease of maintenance, and an optional guard which need not be removed for relamping. 3/4" conduit hubs are standard.

ORDERING INFORMATION

Please specify lens color and the model number desired. Colors available are AMBER, CLEAR, BLUE, GREEN, PURPLE OR RED.

Model No.	Description	Voltage	Approvals
3150BEP-FM	Flange Mount	12 thru 74 VDC	UL
3200BEP-FM	Flange Mount	120 VAC	UL
3300BEP-FM	Flange Mount	240 VAC	UL
3150BEP-PM	3/4" Pendant Mt.	12 thru 74 VDC	UL
3200BEP-PM	3/4" Pendant Mt.	120 VAC	UL
3300BEP-PM	3/4" Pendant Mt.	240 VAC	UL
3150BEP-WM	Wall Mount	12 thru 74 VDC	UL
3200BEP-WM	Wall Mount	120 VAC	UL
3300BEP-WM	Wall Mount	240 VAC	UL

Options:

EP-FM-1	Splice Box with 1" Hubs	UL
EP-PM-1	Splice Box with 1" Hubs	UL
EP-WM-1	Splice Box with 1" hubs	UL
BEPG	Guard (optional)	UL

SPECIFICATIONS

Lamp Type

700-R1 Hermetically Sealed Xenon Strobe Lamp Assembly

Voltage and Amperage

12-74 VDC Draws 1.25 A avg. @12 VDC tapering to 0.2 A avg. @74 VDC
 120/240 VAC Draws 0.17 A avg. @ 120 VAC
 (50/60 Hz) Draws 0.075 A avg. @ 240 VAC

Power Supply Output

13 Watts Standard, 11 Watts for 3150
 9 joules per flash Std., 8 joules per flash for 3150

Temperature Range

-40 Degrees C to +55 degrees C

Flash Rate

85 Flashes per minute

Temperature Code

T6 - Class I Groups C & D
 T4A - Class II Groups E, F, & G

Intensity

Clear 200 Candela eff.
 Amber 170 Candela eff.
 Blue 90 Candela eff.
 Red 40 Candela eff.
 Green 70 Candela eff.

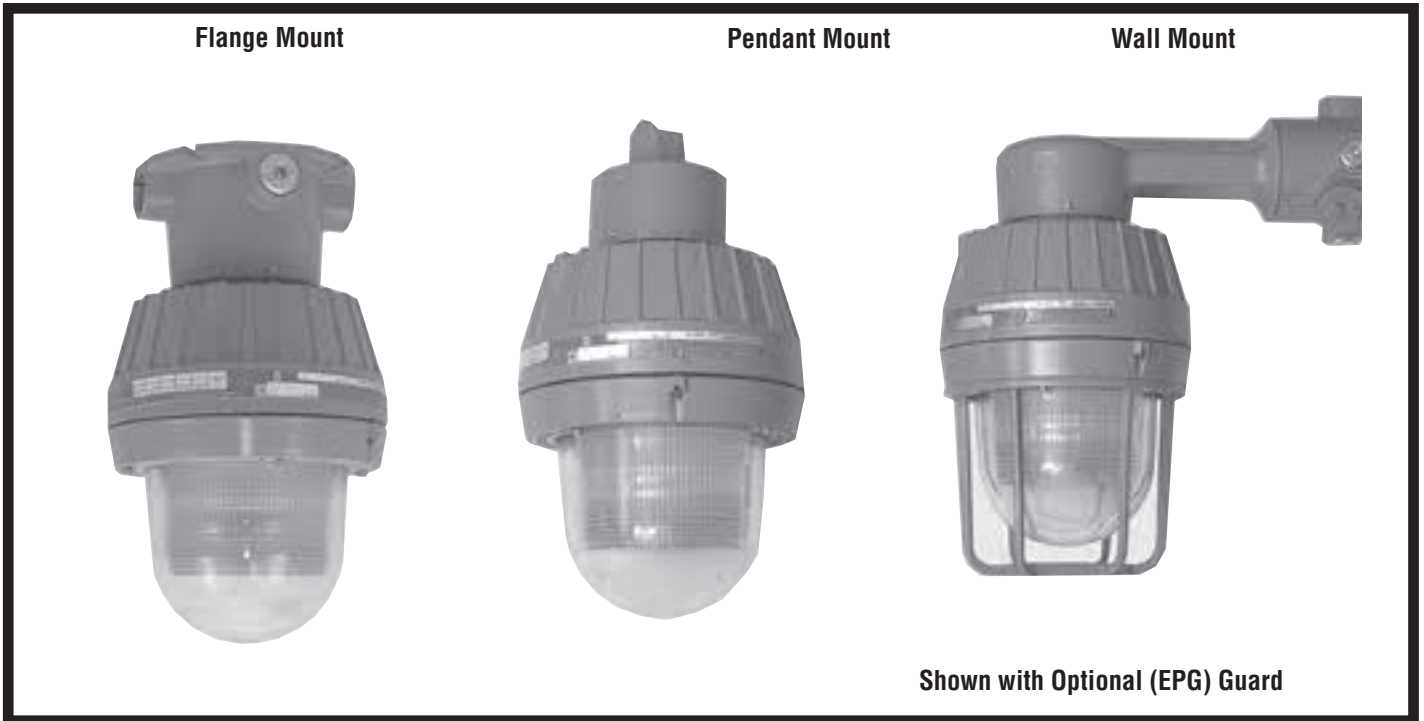
Size and Weight

14" Tall X 7 1/4" Dia. 13 lbs.
 (368 mm) (222 mm) (5.9 kg.)

Compliance:

UL 1203 & 1638
 NEMA 4X

SUPER EXPLOSION PROOF STROBES



Shown with Optional (EPG) Guard

The Super Explosion Proof family of double flash UL listed strobe lights are designed for operation in hazardous areas rated by the NEC as Class I, div 1 & 2 Group C & D and Class II, div. 1 & 2, Group E, F, & G and Class III, div. 1 & 2. They also meet NEMA standards 3, 4, 4X, 7CD and 9EFG, and are marine rated for use in salt water environments. Lens Colors: Amber, Blue, Clear, Green, Purple and Red.

Design features include a housing made of die cast high strength copper-free aluminum alloy with a baked powder epoxy finish, stainless steel hardware, O-ring sealed prestressed glass globe with double pitch acme threads for smooth assembly and ease of maintenance, a flash synchronizing circuit, and an optional guard which need not be removed for relamping. 3/4" conduit hubs are standard.

ORDERING INFORMATION

Model No.	Description	Voltage
7120BEP-FM	Flange Mount 3/4" hub	120 VAC
7024BEP-FM	Flange Mount 3/4" hub	12/24 VDC
7120BEP-PM	Pendant Mount 3/4" hub	120 VAC
7024BEP-PM	Pendant Mount 3/4" hub	12/24 VDC
7120BEP-WM	Wall Mount 3/4" hub	120 VAC
7024BEP-WM	Wall Mount 3/4" hub	12/24 VDC

Options	
EPG	Guard

SYNCHRONIZING SPECIFICATIONS

SYNCHRONIZING CIRCUIT CONNECTION: This is a low voltage, low power customer connection which requires one 22 ga twisted pair run between each light. Max length between furthest lights is 3000 feet. Up to 100 lights of different voltages can be synchronized.

SYNCHRONIZING CIRCUIT FEATURES: Each light contains its own flash rate timing circuit which operates the lamp automatically and a bi-directional synchronizing circuit which overrides the internal timing circuit when connected to another light.

When two or more lamps are synchronized together, failure of any lamp will not prevent other lamps from operating.

Lights may be operated from different power sources, that is a 120 VAC unit may be synchronized with a 12 VDC unit.

SPECIFICATIONS

Lamp Type	
6001 Xenon Strobe Lamp	
Voltage and Amperage	
120 VAC 60 Hz	Draws 0.4 A avg. (2.3 A max)
12/24 VDC	Draws 4.0/2.0 A avg. (8.0 A max)
Power Supply Output 26 Watts	
AC Units	DC Units
20 joules 1st flash	20 joules 1st flash
20 joules 2nd flash	20 joules 2nd flash
Flash Rate	
40 Flashes per minute	
Intensity	
Clear	2000 Candela eff.
Amber	1700 Candela eff.
Blue	900 Candela eff.
Red	400 Candela eff.
Green	700 Candela eff.
Size and Weight	
14.5" Tall	X 8.75" Dia. 13 lbs.
(368 mm)	(222 mm) (5.9 kg.)
Compliances:	
UL 1203 & 1638	

DIVISION 2 HAZARDOUS LOCATION STROBES



MICROSTROBE® DIVISION 2 UL LISTED

The Model 490S-1280T and 490S-120T strobe light are UL listed for use in Class I & II, Division 2 hazardous locations. These units have a Lexan lens and base, polyurethane potted power supplies and are suitable for outdoor use in NEMA 4 locations. They may be operated in any position and feature a 1/2" pipe mount. UL Listed for Class I, div 2 Groups A, B, C, & D. Class II, div 2, Groups F & G.

SPECIFICATIONS

• Intensity

CLEAR	50 Candela
AMBER	40 Candela
BLUE	20 Candela
RED	10 Candela
GREEN	20 Candela

- 60 to 80 Flashes per Minute
- 1.75 joule power supply, 60-80 FPM
- Temp Code: Class I T2C 230° C. Do not install where the operating temperature exceeds the ignition temperature of the hazardous atmosphere.
- -40 Degree C to +55 Degree C
- 5" tall X 3" dia., 0.6 lbs.
- Model 490S-120T has built-in triac to prevent false operation from snubber leakage current caused by switching on and off from a solid state relay.

• TEN YEAR WARRANTY

490S-1280T	12-80 VDC 0.4 A/12 VDC
490S-120T	120 VAC 0.04 A/120 VAC
5001	Flashtube
470S-L	Lens (specify color)

HEAVY DUTY DIV. 2 STROBES UL LISTED

The hazardous area group of strobes UL Listed for CLASS I DIV. 2 GROUP A, B, C & D. CLASS II DIV.2 GROUP F & G. CLASS III DIV. 2. These units feature cast aluminum construction, tempered glass lenses and are suitable for outdoor use. Unique power supply design provides 120 thru 240 VAC and 12 thru 74 VDC input voltage.

SPECIFICATIONS

• Intensity

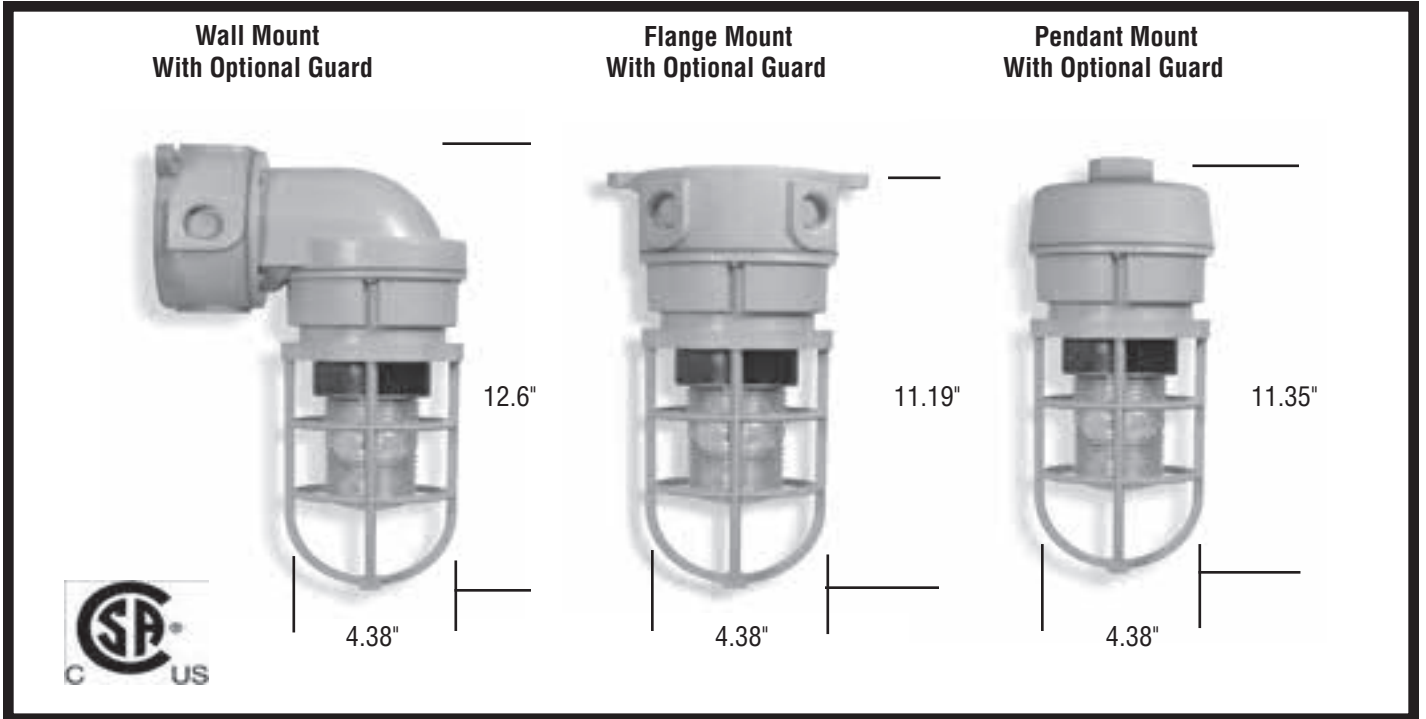
CLEAR	80 Candela
AMBER	60 Candela
BLUE	40 Candela
RED	25 Candela
GREEN	30 Candela

- 8 joule power supply
- 75 Flashes per minute
- Temp Code: Class I T2A 280° C, Class II T6 85° C. Do not install where the operating temperature exceeds the ignition temperature of the hazardous atmosphere.
- 3/4" pendant mount
- -40 Degree C to +55 Degree C
- 8.5" tall X 5.4" dia., 3.2 lbs

• TWO YEAR WARRANTY

4375-1274	12-74 VDC 1.31 A/12V
4375-120	120-240 VAC 0.2 A/120 V
2001	Flashtube
4375-L	Lens (specify color)

SERIES 4000X Div.2 HAZARDOUS LOCATION STROBES



Tomar Electronics introduces the Model 4000X family of Hazardous Location Div. 2 Strobe Lights engineered to perform in the harshest environments. Constructed of 30% glass-filled thermo-set polyester, it is particularly well suited for installations in corrosive, wet NEMA 4X harsh environments, and hazardous locations. The high strength FRP material is resistant to the corrosive effects of most chemicals, hydrocarbons and solvents.

Typical applications include manufacturing plants, chemical and petrochemical processing facilities, sewage treatment plants, offshore and dockside installations, agricultural, commercial, industrial, mining and marine facilities.

Totally non-metallic, these warning lights are fully potted in urethane material with no exposure to high voltage possible. NEMA 4X rated in any mounting configuration - base up, down or side positions.

Unique mounts allow for Pendant, Flange or Wall mount installations. Buy just the mounting style you need. Optional dome guard is also available.

- Class I, div. 2 groups A, B, C & D
- Class 1, Zone 2, groups IIC, IIB, IIA
- Class II Div. 2 groups F & G, Class III
- CSA Enclosure Type 4X, IP66
- NEMA 4X, Marine Rated
- 10 year warranty on Power Supply
- 10,000 hour strobe tube
- Sealed construction
- 6 Lens Colors: Amber, Blue, Clear, Green, Purple & Red.
- 5001 Xenon Strobe Tube, 80 Flashes per Minute
- Temperature Range: -40C to +85C, Temp Code: T12
- Voltage/Amps: 400mA @ 12 VDC, 200mA @ 24 VDC, 040mA @ 120 VAC, 020mA @ 240 VAC

ORDERING INFORMATION

Model No.	Description	Voltage
4024X	Xenon Strobe Body Only	12-80 VDC
4120X	Xenon Strobe Body Only	120 VAC
4240X	Xenon Strobe Body Only	240 VAC

Available Mounts & Guard Options

NVP	Pendant Mount
NVF	Flange/Ceiling Mount
NVW	Wall Mount
NVG	Dome Guard

SPECIFICATIONS



to the following standards

- UL 1598 Standard for luminaires
- UL 1598A Marine luminaires
- UL 844 Standard for lighting fixtures for hazardous locations
- UL 1638 Standard for visual signalling applications
- CSA C22.2 no. 137-M1981 electric luminaires for use in hazardous locations
- Enclosed and gasketed, NEMA 3, 4X, IP66



Tomar introduces a totally new LED warning Light. The MicroLert offers unique features not before seen in industrial signalling devices. It is the first such light designed from the ground up to take advantage of LED lighting technology.

MicroLert features an integral inverted cone design to provide full 360 degree coverage. The MicroLert lens is engineered for maximum light output and color clarity, and allows more of the LED light to be projected out than do conventional Fresnel lenses.

The tough Lexan Lens is spun welded to the base to completely seal out moisture. The MicroLert is UL listed and manufactured to NEMA 4X specification. It is available in five LED colors (amber, blue, green, red and white; and in steady burn and flashing models.

The MicroLert will operate over wide AC and DC input Voltage ranges. The DC version is designed to operate from 10-100 VDC and 16-36 VAC; the AC version from 85-265 VAC. The MicroLert is guaranteed against factory defects for a full 5 years.

SPECIFICATIONS

- 5 year warranty
- High Power LED
- NEMA 4X
- UL Listed
- Wide AC and DC input voltages
- 5 LED colors
- Lexan Lens
- Steady on or flashing
- Surface, Pipe or Thread mounts
- Sealed construction - NEMA 6P capable
- Lamp Type - LED
- Size: 3" diameter X 2 1/2" High
- Voltage and Amperage

24 VDC	198 mA for Single Flash
120 VAC	040 mA for Single Flash
240 VAC	020 mA for Single Flash

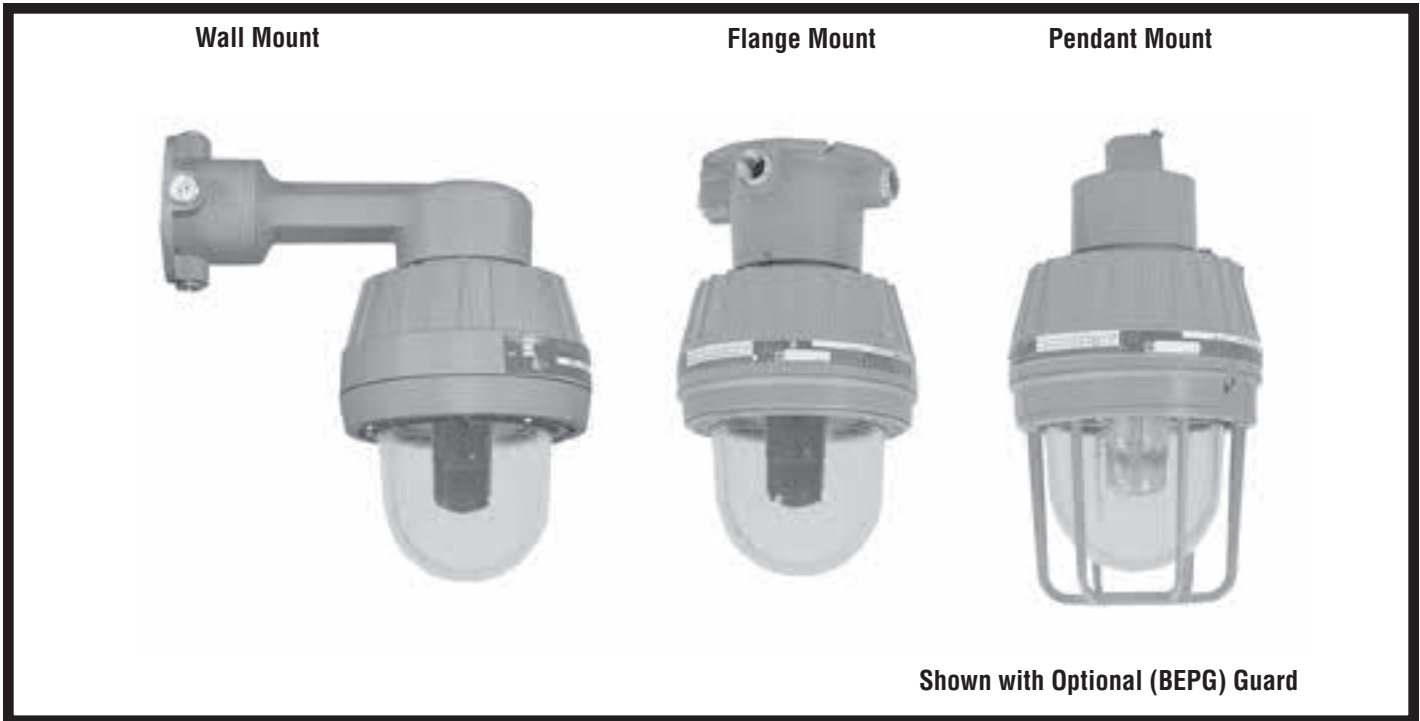
FLASHING MODELS

270LF-12-80	12-80 VDC Surface Mount LED
290LF-12-80	12-80 VDC 1/2" Pipe Mount LED
290LF-120-240	120-240 VAC 1/2" Pipe Mount LED
295LF-12-80	12-80 VDC 1/2" Male Thread LED
295LF-120-240 VAC	120-240 VAC 1/2" Male Thread LED

STEADY ON MODELS

270LS-12-80	12-80 VDC Surface Mount LED
290LS-12-80	12-80 VDC 1/2" Pipe Mount LED
290LS-120-240	120-240 VAC 1/2" Pipe Mount LED
295LS-12-80	12-80 VDC 1/2" Male Thread LED
295LS-120-240	120-240 VAC 1/2" Male Thread LED

SERIES 3000 LED EXPLOSION PROOF SIGNAL LIGHTS



Tomar Electronics introduces the Model 3000 family of LED Explosion Proof Lights. These warning Lights are UL Listed for Class 1, Division 1, Groups C & D; Class 2, Division 1, Groups E, F & G; Class 1, Division 2, Groups A & B; and Class 3. They are available in six LED colors (Amber, Blue, Green, Magenta, Red and White)

Tomar's Explosion Proof LED lights feature a unique thermal management system that utilizes internal cooling fins to draw heat away from the LEDs. This allows for longer lamp life and more consistent light output. All electronics and LEDs are guaranteed against manufacturing defects for a full five years.

An internal switch allows for easy selection among steady-burning, single or double flash mode. Each light will operate over a wide AC and DC input voltage range. The DC version is designed to operate from 10-36 VDC; the AC version from 120-240 VAC.

The 3000 Family series are constructed to NEMA 4X standards and are marine rated for use in salt water environments. Design features include housing made of die cast high strength copper-free aluminum alloy with baked powder epoxy finish, stainless steel hardware, O-ring sealed prestressed glass dome with double pitch acme threads for smooth assembly and ease of maintenance.

ORDERING INFORMATION

Model No.	Description	Voltage
3024XLP	Pendant Mount 3/4" hub	10-36 VDC
3124XLP	Pendant Mount 3/4" hub	120-240 VAC
3024XLF	Flange Mount 3/4" hub	10-36 VDC
3124XLF	Flange Mount 3/4" hub	120-240 VAC
3024XLW	Wall Mount 3/4" hub	10-36 VDC
3124XLW	Wall Mount 3/4" hub	120-240 VAC

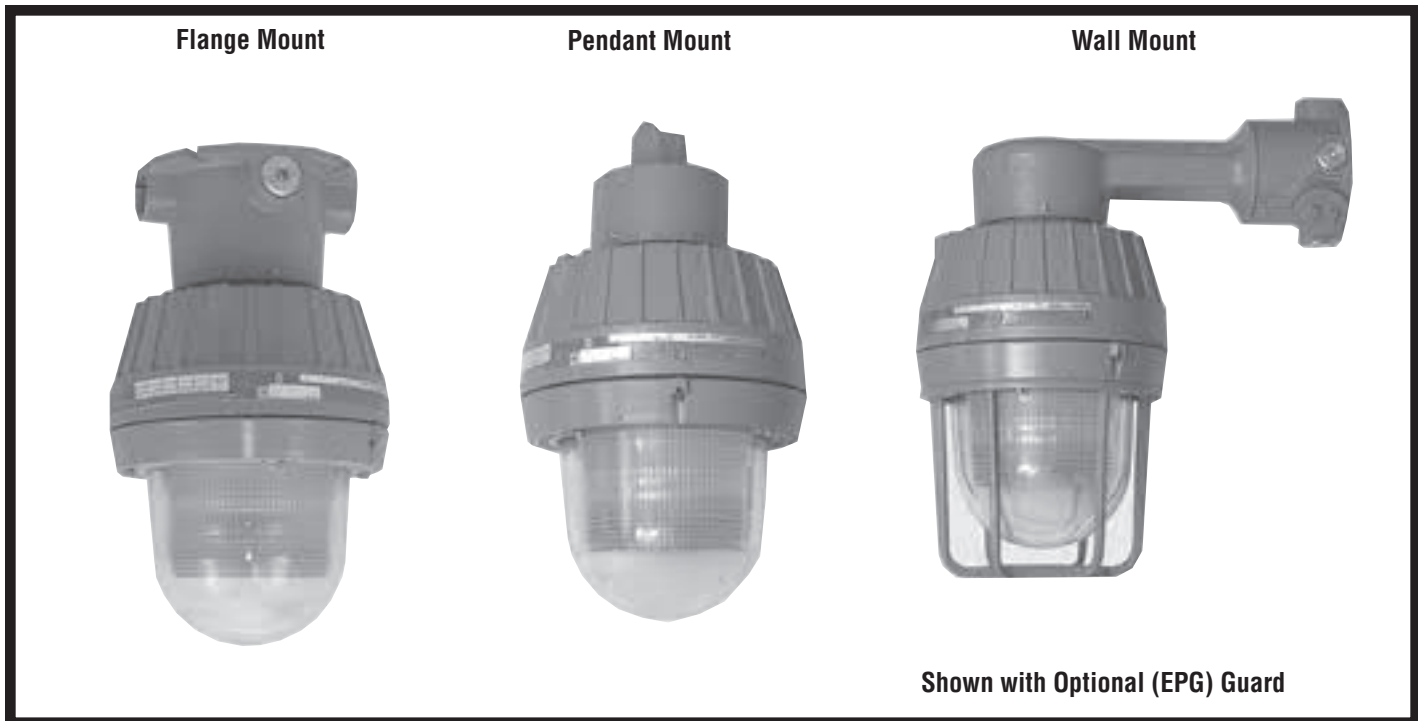
Options	
BEPG	Guard

SPECIFICATIONS

- Flash Rate - 80 single FPM, 40 double FPM
- Voltage and Amperage:
 - 167 mA @ 24 VDC for single flash
 - 033 mA @ 120 VAC for single flash
 - 017 mA @ 240 VAC for single flash
- Operating Temperature: -40 C to 85 C.
- Temperature Code: T6
- Dip switch selectable single flash, double-flash, or steady burn mode.
- Unique Thermal Management System utilizes internal cooling fins to draw heat away from the LEDs. This allows for longer LED life and more consistent light output.
- Size and Weight:
 - 13.6" Tall X 7.44" Diameter 10 lbs, 6 oz.

SERIES 7000 LED SUPER EXPLOSION PROOF SIGNAL

by Tomar Electronics



Tomar Electronics introduces the Model 7000 family of LED Super Explosion Proof Lights. These warning Lights are UL Listed for Class 1, Division 1, Groups C & D; Class 2, Division 1, Groups E, F & G; Class 1, Division 2, Groups A & B; and Class 3. They are available in six LED colors (Amber, Blue, Green, Magenta, Red and White)

Tomar's Super Explosion Proof LED lights feature a unique thermal management system that utilizes internal cooling fins to draw heat away from the LEDs. This allows for longer lamp life and more consistent light output. All electronics and LEDs are guaranteed against manufacturing defects for a full five years.

An internal switch allows for easy selection among steady-burning, single or double flash mode. Each light will operate over a wide AC and DC input voltage range. The DC version is designed to operate from 10-36 VDC; the AC version from 120-240 VAC.

The full sized 7000 Family series are constructed to NEMA 4X standards and are marine rated for use in salt water environments. Design features include housing made of die cast high strength copper-free aluminum alloy with baked powder epoxy finish, stainless steel hardware, O-ring sealed prestressed glass dome with double pitch acme threads for smooth assembly and ease of maintenance.

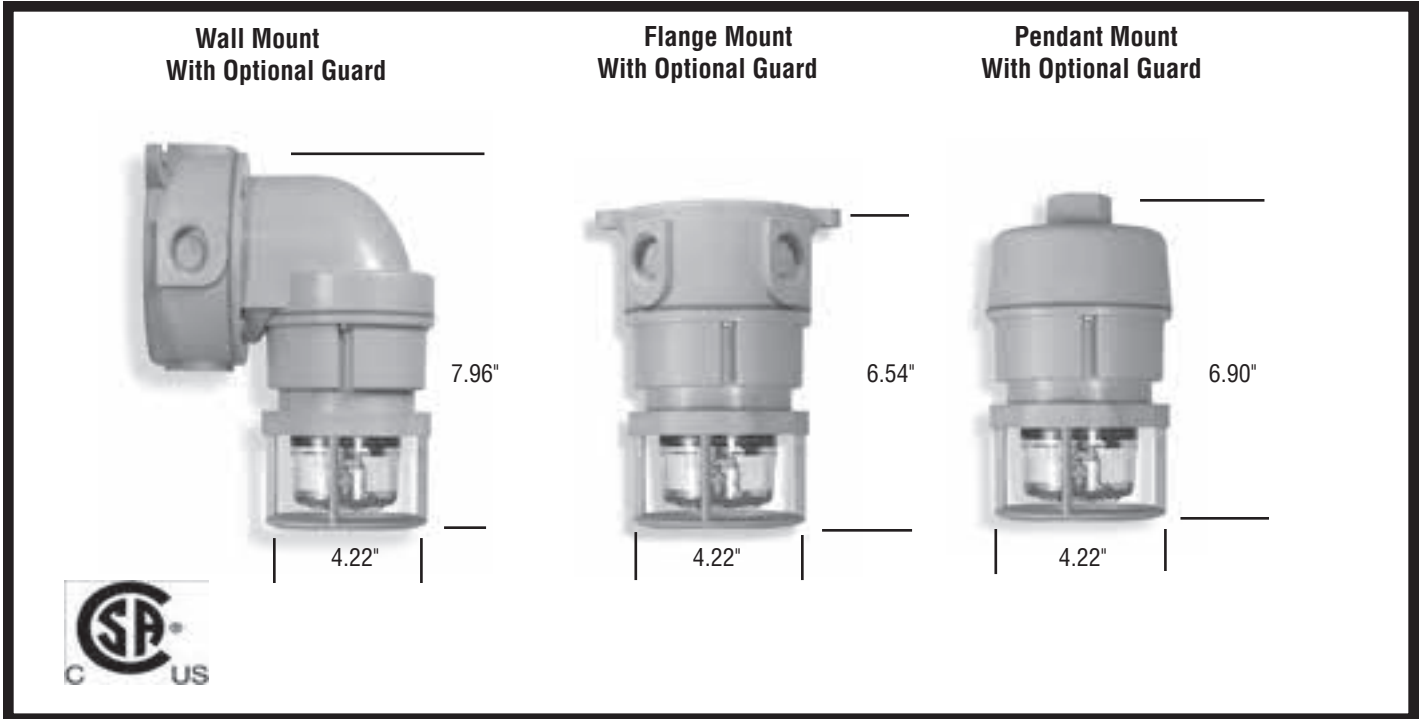
ORDERING INFORMATION

Model No.	Description	Voltage
7024XLP	Pendant Mount 3/4" hub	10-36 VDC
7124XLP	Pendant Mount 3/4" hub	120-240 VAC
7024XLF	Flange Mount 3/4" hub	10-36 VDC
7124XLF	Flange Mount 3/4" hub	120-240 VAC
7024XLW	Wall Mount 3/4" hub	10-36 VDC
7124XLW	Wall Mount 3/4" hub	120-240 VAC
Options		
EPG	Guard	

SPECIFICATIONS

- Flash Rate - 80 single FPM, 40 double FPM
- Voltage and Amperage:
 - 167 mA @ 24 VDC for single flash
 - 033 mA @ 120 VAC for single flash
 - 017 mA @ 240 VAC for single flash
- Operating Temperature: -40 C to 85 C.
- Temperature Code: T6
- Dip switch selectable single flash, double-flash, or steady burn mode.
- Unique Thermal Management System utilizes internal cooling fins to draw heat away from the LEDs. This allows for longer LED life and more consistent light output.
- Size and Weight:
 - 14.5" Tall X 8.75" Diameter 13 lbs.

SERIES 2000XL Div.2 HAZARDOUS LOCATION LED



Tomar Electronics introduces the Model 2000XL family of Hazardous Location Div. 2 LED Lights engineered to perform in the harshest environments. Constructed of 30% glass-filled thermoset polyester, it is particularly well suited for installations in corrosive, wet NEMA 4X harsh environments, and hazardous locations. The high strength FRP material is resistant to the corrosive effects of most chemicals, hydrocarbons and solvents.

Typical applications include manufacturing plants, chemical and petrochemical processing facilities, sewage treatment plants, offshore and dockside installations, agricultural, commercial, industrial, mining and marine facilities.

Totally non-metallic, these warning lights are fully potted in urethane material with no exposure to high voltage possible. NEMA 4X rated in any mounting configuration - base up, down or side positions. Unique mounts allow for Pendant, Flange or Wall mount installations. Buy just the mounting style you need or install directly onto approved panel surface. Optional dome guard is also available.

Available in either flashing or steady burn mode, this model will operate over a wide AC and DC input voltage range. The DC version operates from 10-100 VDC, and 16-36 VAC, and the AC version from 85-265 VAC.

- Class I, div. 2 groups A, B, C & D
- Class 1, Zone 2, groups IIC, IIB, IIA
- Class II Div. 2 groups F & G, Class III
- CSA Enclosure Type 4X, IP66
- NEMA 4X, Marine Rated
- 5 year warranty
- Sealed construction
- 5 Lens Colors: Amber, Blue, Green, Red & White.
- Temperature Range: -40C to +85C Code: T6
- Conduit Hubs: all 3/4 NPT
- 200 mA @ 24 VDC Flashing / 400 mA Steady Burn
- 040 mA @ 120 VAC Flashing / 085 mA Steady Burn
- 020 mA @ 240 VAC Flashing / 045 mA Steady Burn

ORDERING INFORMATION

Model No.	Description	Voltage
2024XLF	Flashing LED Body Only	12-80 VDC
2124XLF	Flashing LED Body Only	120-240 VAC
2024XLS	Steady Burn LED Body Only	12-80 VDC
2124XLS	Steady Burn LED Body Only	120-240 VAC

Available Mounts & Guard Options

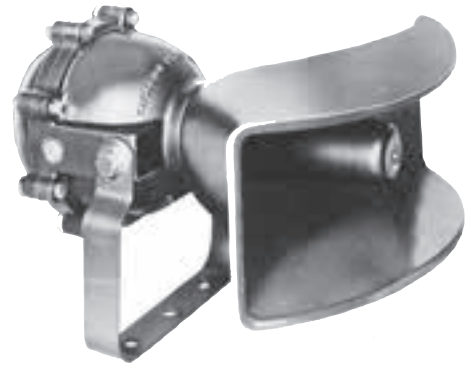
NVP	Pendant Mount
NVF	Flange/Ceiling Mount
NVW	Wall Mount
NVGM	Compact Dome Guard

SPECIFICATIONS



to the following Standards

- UL 1598 Standard for luminaires
- UL 1598A Marine luminaires
- UL 844 Standard for lighting fixtures for hazardous locations
- UL 1638 Standard for visual signalling applications
- CSA C22.2 no. 137-M1981 electric luminaires for use in hazardous locations
- Enclosed and gasketed, NEMA 3, 4X, IP66



POWER ALARM® PROGRAMMABLE MULTI-SOUND INDUSTRIAL SIGNALS

The POWER ALARM® siren is a heavy duty industrial audible alarm designed to operate under adverse industrial conditions such as shock, vibration, or transient voltage surges. The models 1000 and 1100 POWER ALARMS are supplied with a plug-in single channel programmable sound module that generates 8 different rotary switch selectable sounds plus 4 additional sounds that can be selected remotely by customer switch. Remote feature requires RJ45-6 remote control cable. See chart below for details.

- 120 db at 4 ft.
- NEMA 4 circuitry enclosure.
- 100% all metal speaker, weatherproof construction.
- Speaker and plug-in programmable sound module included.
- -55 to + 60 degree C temperature range.

8" tall X 6" wide X 3" D enclosure
10 1/2" L X 19 1/2" tall X 10" W speaker, 15 lbs. Total.

Model Number	Voltage/Amps
1000-120	120/240 AC, .5/.25
1100-12/24	12/24 DC, 0.7
1100-250	250 DC, 0.25

PARTS & ACCESSORIES ("/" factory installed options)

- MULTISOUND** Multi-Sound plug-in module
- 1001** Speaker
- 1000-PCB** 120 VAC printed circuit board
- 1100-PCB** 250 VDC printed circuit board
- 1100-PCB-12/24** 12/24 VDC printed circuit board
- /SSA** NEMA 4 stainless steel enclosure
- RJ45-6** Remote Control Cable

EXPLOSION PROOF POWER ALARM® PROGRAMMABLE MULTI-SOUND SIGNAL

The single sound channel EXPLOSION PROOF POWER ALARM® is a solid state audible device with a hard wired single channel programmable sound module that generates 8 different rotary switch selectable sounds plus 4 additional sounds that can be selected remotely by customer switch. Remote feature requires RJ45-6 remote control cable. See chart below for details.

UL listed for Class I, Groups C & D. Class I, Div. 2, Groups A, B, C & D. Class II, Div. 2, Groups F & G. Gasketed for outdoor application.

Features include:

- 117 db at 4 ft, 109 db at 10 ft.
- 120 X 60 degree sound dispersion.
- Weatherproof construction, fiberglass horn & cast aluminum housing
- -55 to + 85 degree C temperature range
- NEMA 4X Marine rating.

14"W X 6" Tall X 17 1/2"L, 24 lbs.

Model Number	Voltage/Amps
1002WEP-120	120 VAC, 0.2
1002WEP-240	240 VAC, 0.1
1002WEP-24	24 VDC, 0.8
1001-WEP	EP Speaker w/o circuitry
RJ45-6	Remote Control Cable

Multisound Siren Module Standard Rotary Switch Single Tone Selection Chart RJ45-6 Remote Control Cable Selections				
Switch Selection	Operation	Remote Control	Operation	Priority
0	Selects Remote Control Operation	Orange Wire	Horn - Steady	1
1	8 Tone Parade Sequence	Black Wire	Two-Tone - Alternating	2
2	Wail - Conventional Siren	Red Wire	Yelp - Rapid Siren	3
3	Yelp - Rapid Siren	Gray Wire	Wail - Conventional Siren	4
4	Two-Tone - Alternating			
5	Whoop - Ascending Low-High			
6	Yeow - Descending High-Low			
7	Horn - Steady			
8	Beep - Slow Intermittent Horn			
9	Stutter - Rapid Intermittent Horn			

STATUS LIGHT, HORNS, SIRENS & BELLS



STATUS LIGHT

Up to 100 Watt incandescent status or indicator light. (Non-Flashing)

- Weatherproof Cast Aluminum
- Heat Resistant Glass Lens

7 1/2" Tall X 5 1/2" dia. 3.5 lbs

LF009 Status Light (specify color)
140030 Guard



HORNS

Weatherproof resonant grill type horns ideally suited for industrial signalling applications where high sound, low current draw and dependable operation are essential.

- UL Listed.
- 87 db @ 10 ft.
- Color is Gray

31T-115-S 120 AC, 160 mA

Accessories:

BB-S Indoor Surface Back Box
WBB-S Weatherproof Back Box



STROBE-BELL COMBINATION

To enhance the bell tone signal a flashing strobe has been combined with a 6" bell and integrated on a single mounting plate for indoor applications.

- UL listed.
- Gray is standard, optional red color for housing and bell.
- Horizontal or vertical strobe position.

SBH-120 120 AC Strobe/Bell with 6" vibrating bell and horizontal 15 cd strobe

- 15 cd (candela) is standard, available in 15/75 cd
- 6" is standard bell size, available in 4", 5", 8" & 10"
- Vibrating is standard, single stroke bells available



STROBE HORNS

The strobe horn has the same specifications as the standard resonant grill horn, except for the addition of a flashing strobe light.

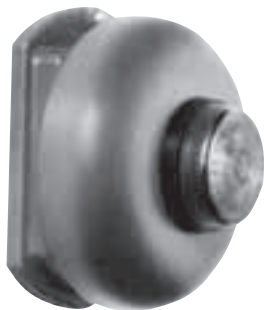
- 95 db @ 10 ft. UL Listed.
- White is standard, Red is available

MT4-115-WH-VNS 120 AC

- Current Draw (Strobe): 70 mA @120 AC,
- 15/75 cd (candela) is standard, 30/75, 60/75, 75 & 110 are available
- Strobe and Horn can be operated together or separately.

Accessories:

BB-S Indoor Surface Back Box
WBB-S Weatherproof Back Box



FLASHER-BELL COMBINATION

The Flasher/Bell is designed for heavy-duty interior and exterior applications with a choice of AC or DC Models. The added feature of a flashing incandescent lamp will enhance the audio bell tone signal.

1035 120 VAC 4" Vibr, .10A
1233 12 VDC 4" Vibr, .34A
1234 24 VDC 4" Vibr, .20A
1034 24 VAC 4" Vibr, .40A
2035 120 VAC 6" Vibr, .34A
2233 12 VDC 6" Vibr, .34A
2234 24 VDC 6" Vibr, .20A
2034 24 VAC 6" Vibr, .40A

2045 120 VAC 6" puls, .10A
2243 12 VDC 6" Puls, .34A
2244 24 VDC 6" Puls, .20A
2044 24 VAC 6" Puls, .40A
-WP Weatherproof Housing



MULTI-TONE SIGNAL

The Multi-Tone Electronic Signal is field selectable to provide eight distinct tones, with optional flashing strobe light. UL Listed.

- 91-97 dba @ 10 ft.
- White is standard, Red is available

Horn, bell, chime, siren, slow whoop, temporal, hi-lo, & single stroke bell.

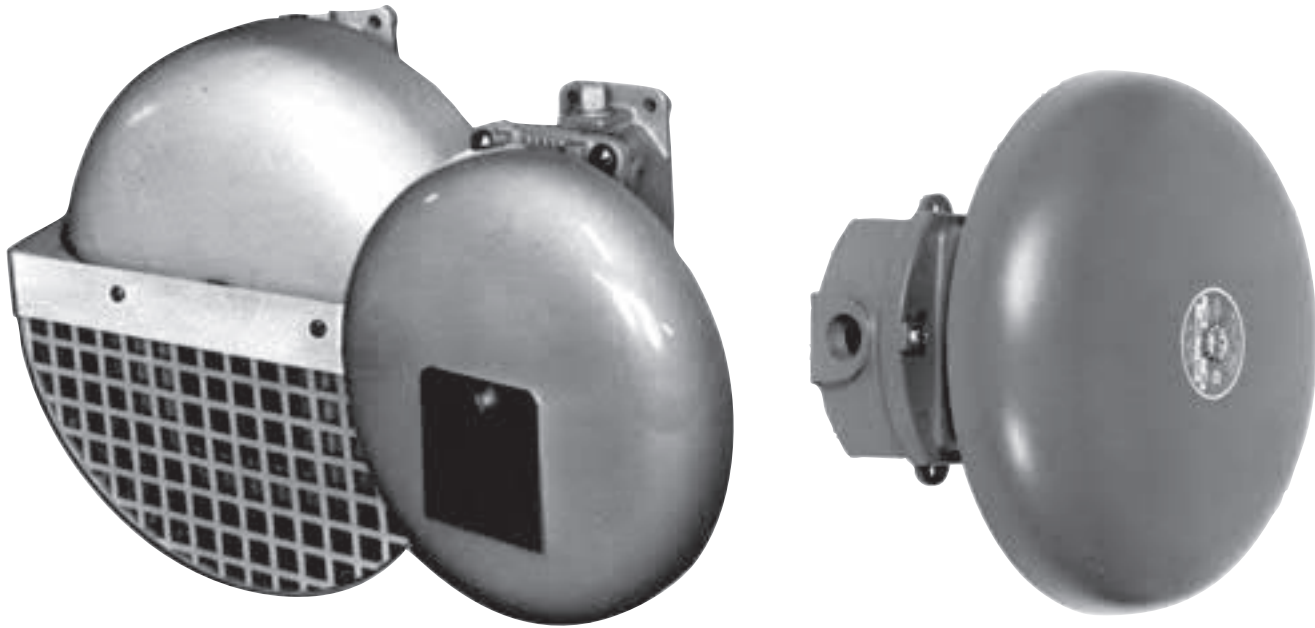
- 15/75 cd (candela) is standard, 30/75, 60/75, 75 & 110 are available
- Current Draw: Horn varies depending upon tone chosen, Strobe = 59 mA
- Strobe and Horn can be operated together or separately

MT4-12/24-S 12/24 DC, 8 Tone Horn w/o strobe
MT-241575W-NW 24 DC, 8 Tone Horn with 15 cd strobe
MT4-115-S 115 VAC 8 Tone Horn w/o strobe

Accessories:

10B-W Surface Back Box for MT Series
BB-S Indoor Surface Back Box for MT4 and 31T Series
WBB-S Weatherproof Back Box for MT4 & 31T Series

EXPLOSION PROOF BELLS & AC DC BELLS



EXPLOSION-PROOF BELLS

Rugged, reliable cast construction features hinged cover, cast back box for surface mounting with 1/2" threaded conduit entrances on top and bottom of housing and protective hood and guard for outdoor models.

UL listed for Class I, groups B, C & D. Class II, groups F & G.

CVX10-115AC-S Vibrating Indoor 10" Bell, 115 VAC, .22A, 90 db @ 10'

CVXG10-115AC-S Vibrating Outdoor 10" Bell, 115 VAC, .22A, 90 db @ 10'

CSX10-115AC-S Single Stroke Indoor 10" Bell, 115 VAC, .125A, 87 db @ 10'

CSXG10-115AC-S Single Stroke Outdoor 10" Bell, 115 VAC, .125A, 87db @ 10'

CSX10-24DC-S Single Stroke Indoor 10" Bell, 24 VDC, .5A, 87db @ 10'

CSXG10-24DC-S Single Stroke Outdoor 10" Bell, 24 VDC, .500A, 87db @ 10'

AC & DC UL LISTED BELLS

Heavy Duty, vibration resistant bells feature easy to install unique back plate that attaches to the conduit box without removing the gong.

1005 4" 120 VAC Indoor Vibrating - pig tail - .09 amps

2005 6" 120 VAC Indoor Vibrating - pig tail - .09 amps

1003 4" 12 VAC Indoor Vibrating - pig tail - .8 amps

1004 4" 24 VAC Indoor Vibrating - pig tail - .35 amps

1105 4" 120 VAC Indoor Single Stroke - pig tail - .36 amps

1203 4" 12 VDC Indoor Vibrating - pig tail - .45 amps

2204 6" 24 VDC Indoor Vibrating - pig tail - .20 amps

2025 6" 120 VAC Outdoor Vibrating - .09 amps

2223 6" 12 VDC Outdoor Vibrating - .45 amps

2224 6" 24 VDC Outdoor Vibrating - .20 amps

3025 8" 120 VAC Outdoor Vibrating - .09 amps

3223 8" 12 VDC Outdoor Vibrating - .45 amps

3224 8" 24 VDC Outdoor Vibrating - .20 amps

3226 8" 240 VDC Outdoor Vibrating - .03 amps

MODERATE dba FOR LIFT TRUCKS



The "moderate dba" family features "heavy duty" construction and multi-voltage inputs. Model "AA" has self-adjustable sound level = 5db above surrounding noise. SAE J994

- 60 BPM
- Positive or negative ground
- Weatherproof
- Universal mounting
- Fiberglas reinforced nylon housing
- Temperature range -40F to + 185F

1020-1248 12-48 VDC 102 db
9700 12-48 VDC 97 db SAE C
AA97 12-48 VDC 77-97 db Self-adjustable sound

- Size: 2.6"H X 4"W X 1.6" D
3" to 3.25" centers .5 lbs.

107 dba MODELS



Heavy duty construction 107 dba backup alarms for mobile equipment features multivoltage, weatherproof housing and "AA" self-adjusting sound level = 5db above surrounding noise.

- 60 BPM
- Positive or Negative Ground
- Universal Mounting
- * Temperature range -40F + 185F

1070-1248 12-48 VDC 107 db
AA107-1248 12-48 VDC 82-107 db self-adjusting

- Size: 3.2" H X 5.2" W X 2.88" D
4" X 4.375" centers 1 lb

112 dba MODELS



- Model "AA" Self-Adjustable sound level = 5 db above surrounding noise
- Universal mounting bracket
- Weatherproof
- Fiberglas reinforced nylon housing

1120-1248 12-48 VDC 112 db
AA112-1248 12-48 VDC 87-112 db self-adj sound

- Size: 3" H X 5" W X 3.75" D
2" X 4" centers 1.4 lbs

SIRENS

AC/DC Motor Driven Sirens & Multitone Electronic Signals



MOTOR DRIVEN SIREN

These motor driven sirens are an ideal choice for all heavy duty applications. Designed to operate under the day-to-day conditions of steel mills, motor driven sirens produce a very loud high pitched signal easily heard over surrounding noise. The fully enclosed AC/DC motor is securely mounted inside a weatherproof steel housing that includes a screen for added protection.

FEATURES

- 120 and 250 AC/DC input voltage models
- UL listed for 120 AC/DC
- Weatherproof
- 117 db @ 10 ft. (measured in free air)
- Extra heavy duty bracket suitable for mounting on overhead cranes
- Bright red epoxy powder coated finish
- Size: 15 11/32" L X 7 1/2" Dia. 11 lbs.

COMPLETE UNITS

- F-2-117-120** 120 AC/DC, 2.5 amps, 117 db, motor driven siren
F-2-117-250 250 AC/DC, 1.25 amps, 117 db, motor driven siren

PARTS

- F-120** 120 AC/DC Motor
F-250 250 AC/DC Motor
F-2-8 Mounting Bracket



COMPACT ELECTRONIC MULTITONE SIREN

Powerful, heavy duty electronic siren in a compact package, the E-4 offers 113 DB at ten feet and thirty two distinct sounds, including ISO certified and country specific warning sounds. All sounds can be obtained from a two wire supply. When versatility is a must, the E-4 is at home in a wide range of industrial, office, hotel and many other emergency signalling environments.

FEATURES:

- 113 DB @ 10 ft. Adjustable from 83-113 DB.
- 32 different sounds. (see below)
- Red finish 3 5/8" high X 3 5/8" wide X 2 8/9" deep made of ABS Plastic.
- Can be mounted with supplied base or with optional 4 X 4 electrical box.
- .015 amps @ 110 VAC, .008 amps @ 220 VAC.
- .06 amps @ 12 VDC, .03 amps @ 24 VDC
- Weatherproof if ceiling or wall mounted

SOUNDS:

Number	Description	Number	Description
1	Banshee LF Buzz	2	Banshee Fast Sweep
3	Banshee Slow Sweep	4	Banshee Continuous
5	Banshee Fast Sweep (new)	6	Medium Sweep
7	Continuous	8	Back Up Alarm
9	Alternate	10	Medium Sweep
11	Alternate	12	Bedlam Buzz
13	Bedlam Fast Sweep	14	Bedlam Slow Sweep
15	Bedlam Continuous	16	Banshee HF fast Sweep
17	Back Up Alarm HF	18	Alternate HF
19	Slow Whoop	20	Din Tone
21	French Fire Sound	22	Australian Alert Sound
23	Australian Evacuation Signal	24	US Temporal Tone
25	US Temporal Tone	26	Swedish Tone (fire)
27	Swedish Tone (all clear)	28	ISO 8201 LF
29	ISO 8201 HF	30	BT Banshee FP 1063.1
31	BT Banshee FP 1063.1	32	Bell Tone

E-4-AC 110 or 220 AC Multitone Electronic Signal

E-4-DC 9 to 30 DC Multitone Electronic Signal

MISCELLANEOUS SIGNALS & STOP AND GO LIGHTS



REVOLVING VEHICLE LIGHT

- Twin sealed beam 35,000 CP
- 90 FPM
 - Weather & Corrosion resistant

9 1/2" tall X 8 1/2" dia. (specify color)

Note: Specify mounting for 120 VAC model: Pipe or Portable mount.

- RL120** 120 VAC
RL12 12 VDC
RL24 24 VDC



REVOLVING FORK TRUCK LIGHT

- Economical revolving light
- 90 FPM
 - 6, 12, 24, 36, 48 & 72 VDC
 - 120 VAC

7 5/8" tall X 5 5/8" dia. (Specify color)

- MV2-IND** 6 to 72 VDC (Specify volts)
MV-110 120 VAC

VERY LOW PROFILE STROBE LIGHT



This extra low profile strobe will help solve signalling applications for low clearance locations.

- 12-120 VDC, 0.25 Amps/ 2 joules per flash
- 147mm Dia. X 50mm High
- Polycarbonate Lens
- Flash Rate: 72 Flashes per minute
- Flash Pattern: Single Flash
- Colors: Amber, Blue, Clear and Red
- Available with 8 Ft. flat cord and magnetic base

- VLP-12-120** 12-120 VDC Very Low Profile Strobe
VLP-12-120M 12-120 VDC with 8 ft. flat cord and magnetic base

LED STOP & GO LIGHT



- Reduce energy costs by 90% compared to incandescent lights.
- No filament = long life & no maintenance.
- **Three year limited warranty on LED**
- Yellow or black polypropylene housing
- 12 or 24 DC, or 115 AC voltage
- Lens diameter: 4 1/2 inches
- Size: 11 3/8" H X 6 3/4" W X 3 3/4" D
- Weight: 2 lbs.
- UL & cUL Listed.
- **LED models can operate continuously due to low level of heat from LEDs.**

SG-10-115RG-LED

SG-10-12RG-LED

SG-10-24RG-LED

LED 115 VAC 0.10 amps, no flasher or switch.
 LED 12 VDC 0.13 amps, no flasher or switch.
 LED 24 VDC 0.13 amps, no flasher or switch.

SOLID STATE FLASHERS



Low Profile, economic, electronic incandescent flasher features solid state circuitry and low amp draw.

- 2 amps @ 12 VDC.
- Available in 12, 24, 36 and 48 DC, 120 AC
- Permanent mount standard, available in magnetic mount with cigarette lighter plug-in.
- Fresnel lens in: Red, Amber, Blue & Clear.

6 1/2" High X 5 3/8" Dia. Wt. 2 lbs

- FFLP** Solid State Flasher - specify DC Volts
FFLP-110 Solid State Flasher - 120 AC

BARRICADE FLASHER

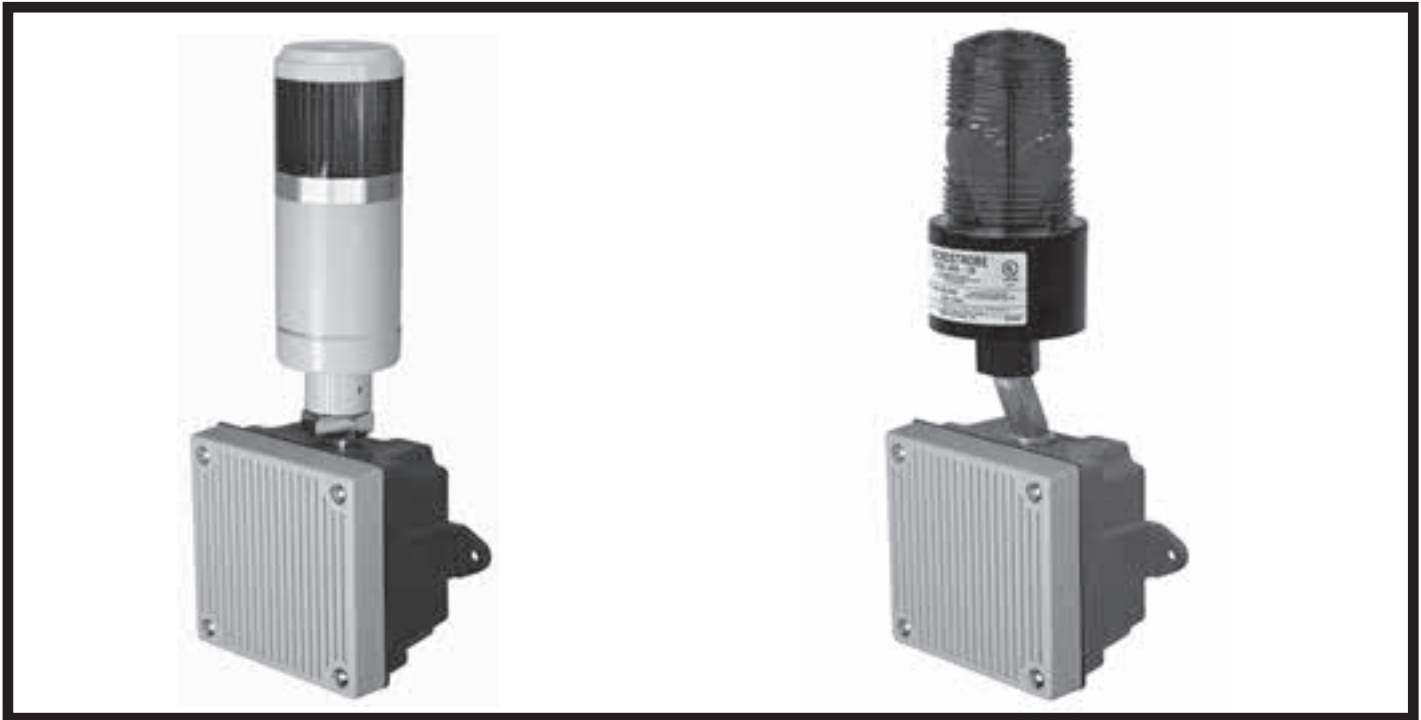


Bi-directional flasher with magnetic base option & lexan lens. (specify color)

- 7" Diameter lens

- BL-2W** 6 V w/o battery
BL-2WS same with solar switch
BL-2WMB 6 V magnetic base w/o battery
BL-2WSMB Same with magnetic base option & solar switch
460 6 VDC spring type battery (2 needed)

MULTI-TONE HORN & LED OR STROBE COMBO



120 VAC MULTI-TONE HORN AND LED COMBO

Select a model specifically for your application, with a single LED light as shown above in either a Steady-Burn or Flashing model in combination with a Multi-Tone Horn offering the following tones: Horn, Bell, March Time Horn, Code-3 Horn, Code-3 Tone, Slow Whoop, Siren, Hi/Lo - all dip switch field selectable.

The Multi-Tone Horn/LED is designed with 1/2" conduit entry at the bottom of the junction box. A small diameter LED is attached to the junction box to provide wall mounting as an option.

SPECIFICATIONS:

- Indoor or outdoor applications - suitable for wall mounting
- Horn Sound Output: 79 to 88 dBA @ 10 Feet depending on tone selection.
- Horn Current Draw: .039 to .050 amps depending on tone selection.
- Heavy duty cast aluminum junction box with two 1/2" female conduit hubs.
- Junction Box Size with Horn: 4 1/8" X 4 1/8" X 2 7/8" Deep.
- Mounting Centers: 5" (3/16" Bolt Holes).
- Long life LEDs lasting over 100,000 hours.
- 24 LEDs per red, amber, & green sections & 12 LEDs per blue and white.
- Current Draw: 20 mA @ 120 AC.
- LED Size: 57 mm Dia. X 150 mm High for one LED Section.

120-MT4-SB-LED

120 VAC Multi-Tone Horn and Steady-Burn Single LED Combo

120-MT4-F-LED

120 VAC Multi-Tone Horn and Flashing/ Steady-Burn Single LED Combo

MT4-115-S

Multi-Tone Horn

WBB-S

Back Box with 1/2" Hub on Top (use with Horn)

STL-110-1

Single Module LED Steady Burn

STLF-110-1

Single Module LED Flashing

120 VAC MULTI-TONE HORN AND STROBE COMBO

Compact Horn Strobe combo for applications requiring more flash intensity. This economical setup in combination with a Multi-Tone Horn has the following tones: Horn, Bell, March Time Horn, Code-3 Horn, Code-3 Tone, Slow Whoop, Siren, Hi/Lo - all dip switch field selectable.

The Multi-Tone Horn/Strobe is designed with a 1/2" conduit entry at the bottom of the junction box. **The strobe light used for this combination is the Tomar Brand Microstrobe.**

SPECIFICATIONS:

- Indoor or outdoor applications - suitable for wall mounting
- Horn Sound Output: 79 to 88 dBA @ 10 Feet depending on tone selection.
- Horn Current Draw: .039 to .050 amps depending on tone selection.
- Heavy duty cast aluminum junction box with two 1/2" female conduit hubs.
- Junction Box Size with Horn: 4 1/8" X 4 1/8" X 2 7/8" Deep.
- Mounting Centers: 5" (3/16" Bolt Holes)
- Microstrobe flash intensity: 1.75 joules per flash, 60-80 FPM
- Current Draw: .04 amps @ 120 VAC
- Microstrobe Size: 5" Tall X 3" Dia
- Specify Lens Color: Amber, Blue, Clear, Green, Red or Purple

120-MT4-STROBE

120 VAC Multi-Tone Horn and Microstrobe Combo

490S-120

120 VAC 1/2" Pipe Mount Microstrobe

5001

Replacement Strobe Lamp

470S-L

Replacement Lexan Lens

MT4-115-S

Multi-Tone Horn

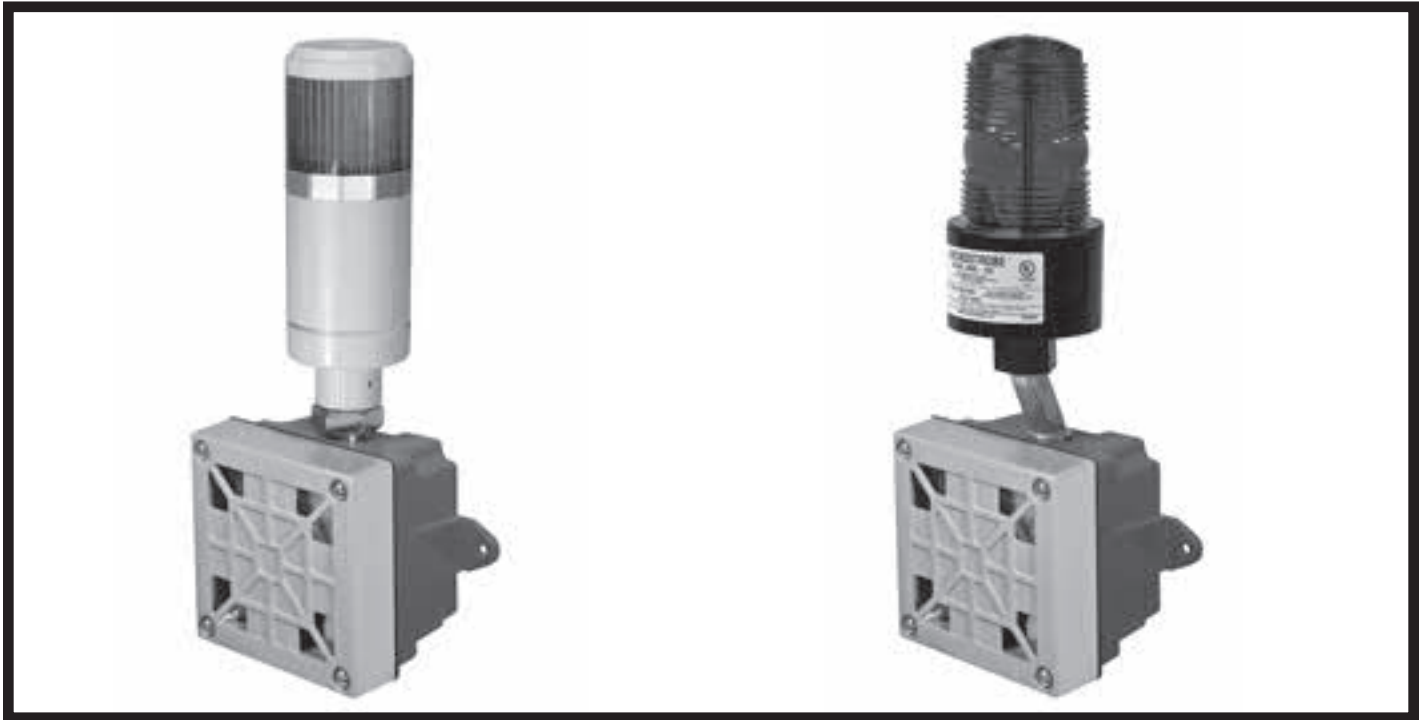
WBB-S

Back Box with 1/2" hub on top (Use with Horn only)

Contact Sales -

- For other voltages - 12 VDC and 24 VDC
- For Two or Three Stack LED Modules in either Steady-Burn or Flashing

SINGLE-TONE HORN & LED OR STROBE COMBO



120 VAC SINGLE-TONE HORN AND LED COMBO

Select a model specifically for your application, with a single LED light as shown above in either a Steady-Burn or Flashing model in combination with a Single-Tone Horn.

The Single-Tone Horn/LED is designed with 1/2" conduit entry at the bottom of the junction box. A small diameter LED is attached to the junction box to provide wall mounting as an option.

SPECIFICATIONS:

- Indoor Applications - suitable for wall mounting
- Horn Sound Output; 95 dBA @ 10 Feet.
- Horn Current Draw: .160 amps.
- Heavy duty cast aluminum junction box with two 1/2" female conduit hubs.
- Junction Box Size with Horn: 4 1/8" X 4 1/8" X 2 7/8" Deep.
- Mounting Centers: 5" (3/16" Bolt Holes).
- Long life LEDs lasting over 100,000 hours.
- 24 LEDs per red, amber, & green sections & 12 LEDs per blue and white.
- Current Draw: 20 mA @ 120 AC.
- LED Size: 57 mm Dia. X 150 mm High for one LED Section.

120-31T-SB-LED

120 VAC Single-Tone Horn and Steady-Burn Single LED Combo

120-31T-F-LED

120 VAC Single-Tone Horn and Flashing/ Steady-Burn Single LED Combo

31T-115-S

Single Tone horn

WBB-S

Back Box with 1/2" Hub on Top (use for Horn)

STL-110-1

Single Module LED Steady Burn

STLF-110-1

Single Module LED Flashing

120 VAC SINGLE-TONE HORN AND STROBE COMBO

A compact Horn Strobe combo for applications requiring more flash intensity and an outdoor weatherproof design.

The Single-Tone Horn/Strobe is designed with a 1/2" conduit entry at the bottom of the junction box. **The strobe light used for this combination is the Tomar Brand Microstrobe.**

SPECIFICATIONS:

- 100% weatherproof - suitable for wall mounting
- Horn Sound Output: 95 dBA @ 10 Feet
- Horn Current Draw: .160 amps.
- Heavy duty cast aluminum junction box with two 1/2" female conduit hubs.
- Junction Box Size with Horn: 4 1/8" X 4 1/8" X 2 7/8" Deep.
- Mounting Centers: 5" (3/16" Bolt Holes)
- Microstrobe flash intensity: 1.75 joules per flash, 60-80 FPM
- Current Draw: .04 amps @ 120 VAC
- Microstrobe Size: 5" Tall X 3" Dia
- Specify Lens Color: Amber, Blue, Clear, Green, Red or Purple

120-31T-STROBE

120 VAC Single-Tone Horn and Microstrobe Combo

490S-120

120 VAC 1/2" Pipe Mount Microstrobe

5001

Replacement Strobe Lamp

470S-L

Replacement Lexan Lens

31T-115-S

Single Tone horn

WBB-S

Back Box with 1/2" Hub on Top (Use with Horn Only)

Contact Sales -

- For Two or Three Stack LED Modules in either Steady-Burn or Flashing.
- For Weatherproof LED applications
- For other voltages - 12 VDC and 24 VDC

STROBE STATUS LIGHTS



11"H X 6"W X 36"L



10"H X 4"W X 12"L

POWER STROBE® CRANE STATUS LIGHTS

The heavy duty POWER STROBE® makes possible an overhead crane status light suitable for the day-to-day applications of steel mills. The principle of operation is simple and cost effective. The two or three light system needs only one power supply to operate the single strobe head selected. The four light system has two power supplies to operate the blue (magnet) light at the same time as one of the other strobe heads.

If you use short life fragile incandescent status lights - switch to long life vibration resistant POWER STROBE® status lights. The built-in features of the POWER STROBE® anticipates the applications of overhead cranes.

FEATURES

- 1,000,000 Peak Candle Power Flash @ 90 FPM
- Heat resistant glass lenses mounted on a NEMA 3R box
- 10,000 hour lamp life
- Reverse polarity protection - Transient line voltage protection

3200-2-X/X 120 VAC two light POWER STROBE® status light
3200-3-X/X/X 120 VAC three light POWER STROBE® status light
3200-4-X/X/X/X 120 VAC four light POWER STROBE® status light
3000-2-X/X 250 VDC two light POWER STROBE® status light
3000-3-X/X/X 250 VDC three light POWER STROBE® status light
3000-4-X/X/X/X 250 VDC four light POWER STROBE® status light
140030 Glass Lens Guard

GENERAL PURPOSE STROBE STATUS SIGNAL

The versatile MICRO STROBE makes possible a general purpose strobe status signal that can be switched individually or simultaneously in any combination from two to five lights. Each MICRO STROBE has its own power supply.

FEATURES

- 120 VAC @ 0.04 A, 12 thru 80 VDC @ 0.4 A, 12 VDC
- 250,000 Peak Candlepower @ 60 to 80 FPM
- Impact resistant Lexan lenses in amber, blue, clear, red or green
- Leakage current by-pass option (/TRIAC) for 120 VAC units
- Potted power supply option suggested for 120 VAC models for wet locations.
- All models of Microstrobes are potted.

120 VAC MODELS

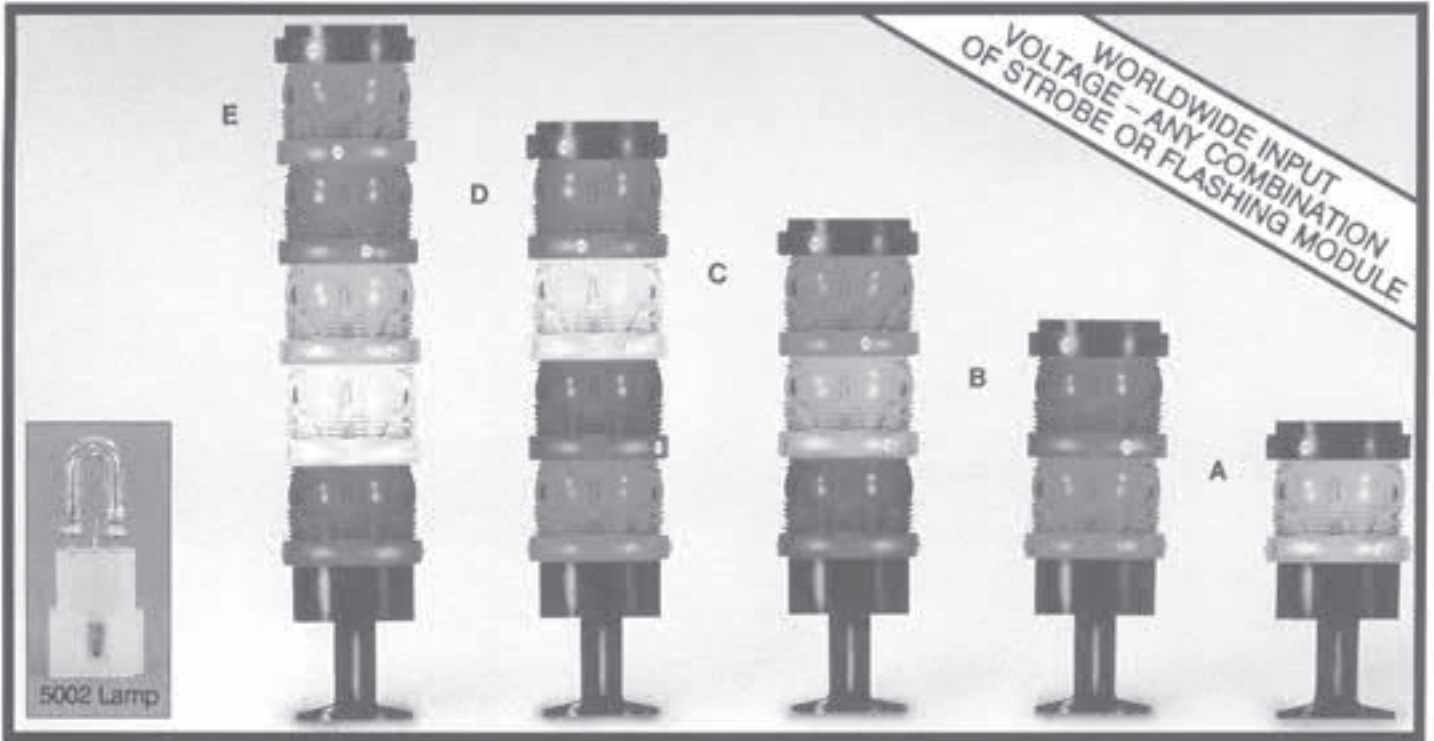
495S-120-2-X/X
495S-120-3-X/X/X
495S-120-4-X/X/X/X
495S-120-5-X/X/X/X/X

12 - 80 VDC MODELS

495S-1280-2-X/X
495S-1280-3-X/X/X
495S-1280-4-X/X/X/X
495S-1280-5-X/X/X/X/X

/TRIAC Leakage Current By-Pass

Note: Specify lens colors in place of "X" in the sequence to be mounted on the NEMA 3R box from left to right. (for both the General Purpose Status Signal and the Power Strobe Crane Status light).



The Model 440 MICROSTACK features multi-color and multi-format optical signalling using strobes and/or steady burning or flashing NEOBE lamps in any combination. NEOBE lamps are gas discharge lamps which have no filament to wear or break. All MICROSTACK modules operate over a worldwide AC input

voltage range of 85-264 VAC 50/60 Hz. They all use the same type of lamp and maintain a constant brightness and flash rate over the entire range. MICROSTACK modules separate at any level by removing two screws. All MICROSTACK modules are sealed with O-rings against dust and can be used outdoors.

ORDERING INFORMATION

The Microstack can be ordered as a preassembled unit or as components or modules.

PREASSEMBLED microstacks

Fig.	Model No.	Specify Choices
A	440-1 One Module MICROSTACK	Module Type Color
B	440-2 Two Module MICROSTACK	Steady Burn Amber
C	440-3 Three Module MICROSTACK	Strobe Blue
D	440-4 Four Module MICROSTACK	Flashing Clear
E	440-5 Five Module MICROSTACK	Green
		Red

MICROSTACK COMPONENTS

- Model No.**
- 440-BASE** Base and cover less stand
- 440-STAND** Stand for base including gasket
- 440S-X** Strobe module including lamp (specify color)
- 440SB-X** Steady burn NEOBE including lamp (specify color)
- 440FN-X** Flashing NEOBE including lamp (specify color)
- 5002** Spare lamp for NEOBE or strobe module
- 440-T16** 16" Extension Tube
- 440-T32** 32" Extension Tube

SPECIFICATIONS

Lamp Type 5002

Voltage and Amperage

85-264 VAC 50/60 Hz. 7 Watts per module

Flash Rate

60 to 80 FPM

Size

Dia. 3.32"/84 mm

Height

440-1	7.7" (196 mm)
440-2	10.0" (254 mm)
440-3	12.3" (312 mm)
440-4	14.6" (371 mm)
440-5	16.9" (429 mm)

MICROLERT STATUS LED LIGHTS



Using the versatile MicroLert LED warning lights, it's possible to assemble a Status Light Assembly suitable for a wide variety of status monitoring applications.

A typical application is the living quarters of an Oil Platform with a MicroLert LED Status Light installed to monitor gas detection equipment. One assembly does it all from a flashing red light to a steady burn green light with other colors in between either flashing or steady burning depending on the conditions monitored.

The MicroLert LED Status Light is actually an "A-La-Carte" monitoring assembly with which the user specifies the model

number and location of each MicroLert mounted on the NEMA 3R box from two to five lights. For example if a three light assembly is needed, first select the NEMA 3R box, then the LED MicroLert Lights from left to right and Maxi-Signal will assemble them as specified.

Example Below: 3 Light LED MicroLert Status Light

3-Box	3 Light NEMA 3R pre-punched box
295LF-120-R	120 AC 1/2" Male Thread flashing
295LF-120-G	120 AC 1/2" Male Thread flashing
295LS-120-A	120 AC 1/2" Male Thread Steady-on

ORDERING INFORMATION

295LF-120-240	120/240 AC 1/2" Male Flashing
295LS-120-240	120/240 AC 1/2" Male Steady Burn
295LF-1280	12-80 DC 1/2" Male Flashing
295LS-1280	12-80 DC 1/2" Male Steady Burn

2-Box	2 Light NEMA 3R Box
3-Box	3 Light NEMA 3R Box
4-Box	4 Light NEMA 3R Box
5-Box	5 Light NEMA 3R Box

Specify MicroLert Model Numbers, Lens colors and location on the NEMA 3 box from left to right.

SPECIFICATIONS

- Tough Lexan Lens spun welded to the base to completely seal out moisture. NEMA 4X
- UL Listed with wide voltage range: 85-265 AC, 10-100 DC, DC models also include 16-36 AC.
- 5 LED colors: Red, Amber, Blue, Green or White.
- Steady burn or flashing.
- 24 DC = 198 mA, 120 AC = 40 mA
- MicroLert Size: 3" diameter X 2 1/2" High.
- Nema 3R Box sizes:
 2-Box = 4" X 4" X 12" 4-Box = 4" X 4" X 24"
 3-Box = 4" X 4" X 12" 5-Box = 4" X 4" X 24"

250 DC STEADY BURN LED STATUS LIGHTS



250 DC OVERHEAD CRANE STATUS LIGHT

Using Heavy Duty Steady Burn LED male thread LED lights designed for 250 DC overhead cranes, it's possible to provide long life trouble free status lights for this rough application. Choose from a two light system up to four lights in any combination of Red, Green, Amber or Blue Steady Burn LEDs mounted on a NEMA 3R enclosure, completely raintight.

The 250 DC Steady Burn 1/2" Male Thread LED is available as a separate unit, just order part number **250-SB-MT** in one of the colors shown above.

Enclosure rated at NEMA 3R, completely raintight.

SPECIFICATIONS

- 250 DC circuitry designed to withstand overvoltage conditions and excessive vibration.
- Current draw: .017 to .021 amps.
- Voltage Range: 250 to 270 DC.
- Size: 4 light NEMA 3R box = 4" X 4" X 24"
3 light NEMA 3R box = 4" X 4" X 12"
2 light NEMA 3R box = 4" X 4" X 12"
250-SB-MT LED = 2 3/4" dia. X 6 3/8" high
- Ambient temperature -25C to +85C

250-4/R/A/G/B 4 Light 250 DC LED Status Light - R, A, G, B
250-3/R/A/G 3 Light 250 DC LED Status Light, - R, A, G
250-2/R/G 2 Light 250 DC LED Status Light, - R, G
250-SB-MT 250 DC Steady Burn LED Light - 1/2" Male Thread.
 Specify lens color - Red, Green, Amber or Blue.

250 DC STEADY BURN MEDIUM BASE LED

Replace fragile incandescent medium base bulbs with a long life vibration resistant LED Steady Burn light suitable for 250 DC overhead crane applications. Available in Red, Green, Amber or Blue lens colors.

SPECIFICATIONS

- 250 DC circuitry designed to withstand overvoltage conditions and excessive vibration.
- Current draw: .017 to .021 amps.
- Voltage range: 250 to 270 DC.
- Size: 2 3/4" dia. X 6 3/4" high.
- Ambient temperature -25C to +85C

250-SB-MSB 250 DC Steady Burn Medium Base LED Light.
 Specify Lens Color - Red, Green, Amber or Blue.

LINTERN RETRO FIT ASSEMBLY

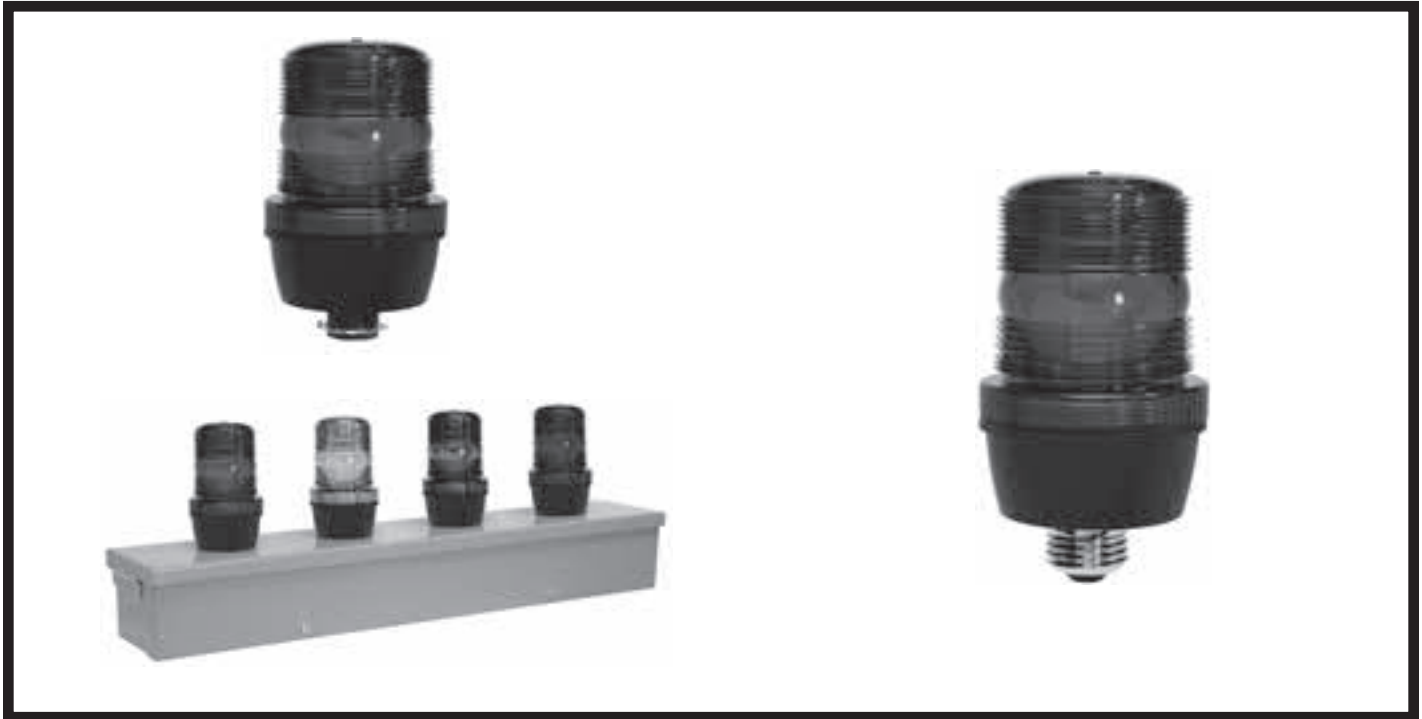
Retro fit the model 250-SB-MSB Steady Burn LED to a Lintern Incandescent Fixture as easy as 1, 2, 3:

1. Remove Lintern Lens, but keep hardware. (screws & springs)
2. Attach the Lexan Plastic Dust Barrier to the top of the aluminum O ring with existing screws & springs.
3. Screw-in the medium base LED and thats it!

The result is a new Steady Burn LED light complete with a Dust Barrier.

250-SB-MSB-DB 250 DC Steady Burn Medium Base LED Light including Dust Barrier. Specify Lens Color.

120 AC STEADY BURN LED STATUS LIGHTS



120 AC OVERHEAD CRANE STATUS LIGHT

Using Heavy Duty Steady Burn LED male thread LED lights designed for 120 AC overhead cranes, it's possible to provide long life trouble free status lights for this rough application. Choose from a two light system up to four lights in any combination of Red, Green, Amber or Blue Steady Burn LEDs mounted on a NEMA 3R enclosure, completely raintight.

The 120 AC Steady Burn 1/2" Male Thread LED is available as a separate unit, just order part number **120-SB-MT** in one of the colors show above. Enclosure rated at NEMA 4X, completely weatherproof.

SPECIFICATIONS

- 120 AC circuitry designed to withstand overvoltage conditions and excessive vibration.
- Current draw: .020 amps
- Voltage Range: 120 AC to 130 AC.
- Size: 4 light NEMA 3R box = 4" X 4" X 24"
3 light NEMA 3R box = 4" X 4" X 12"
2 light NEMA 3R box = 4" X 4" X 12"
120-SB-MT LED = 2 3/4" dia. X 6 3/8" high
- Ambient temperature -25C to +85C

120-4/R/A/G/B	4 Light 120 AC LED Status Light - R, A, G, B
120-3/R/A/G	3 Light 120 AC LED Status Light, - R, A, G
120-2/R/G	2 Light 120 AC LED Status Light, - R, G
120-SB-MT	120 AC Steady Burn LED Light - 1/2" Male Thread. Specify lens color - Red, Green, Amber or Blue.

120 AC STEADY BURN MEDIUM BASE LED

Replace fragile incandescent medium base bulbs with a long life vibration resistant LED Steady Burn light suitable for 120 AC overhead crane applications. Available in Red, Green, Amber or Blue lens colors.

SPECIFICATIONS

- 120 AC circuitry designed to withstand overvoltage conditions and excessive vibration.
- Current draw: .020 amps
- Voltage range: 120 AC to 130 AC
- Size: 2 3/4" dia. X 6 3/4" high.
- Ambient temperature -25C to +85C

120-SB-MSB	120 AC Steady Burn Medium Base LED Light. Specify Lens Color - Red, Green, Amber or Blue.
-------------------	--

LINTERN RETRO FIT ASSEMBLY

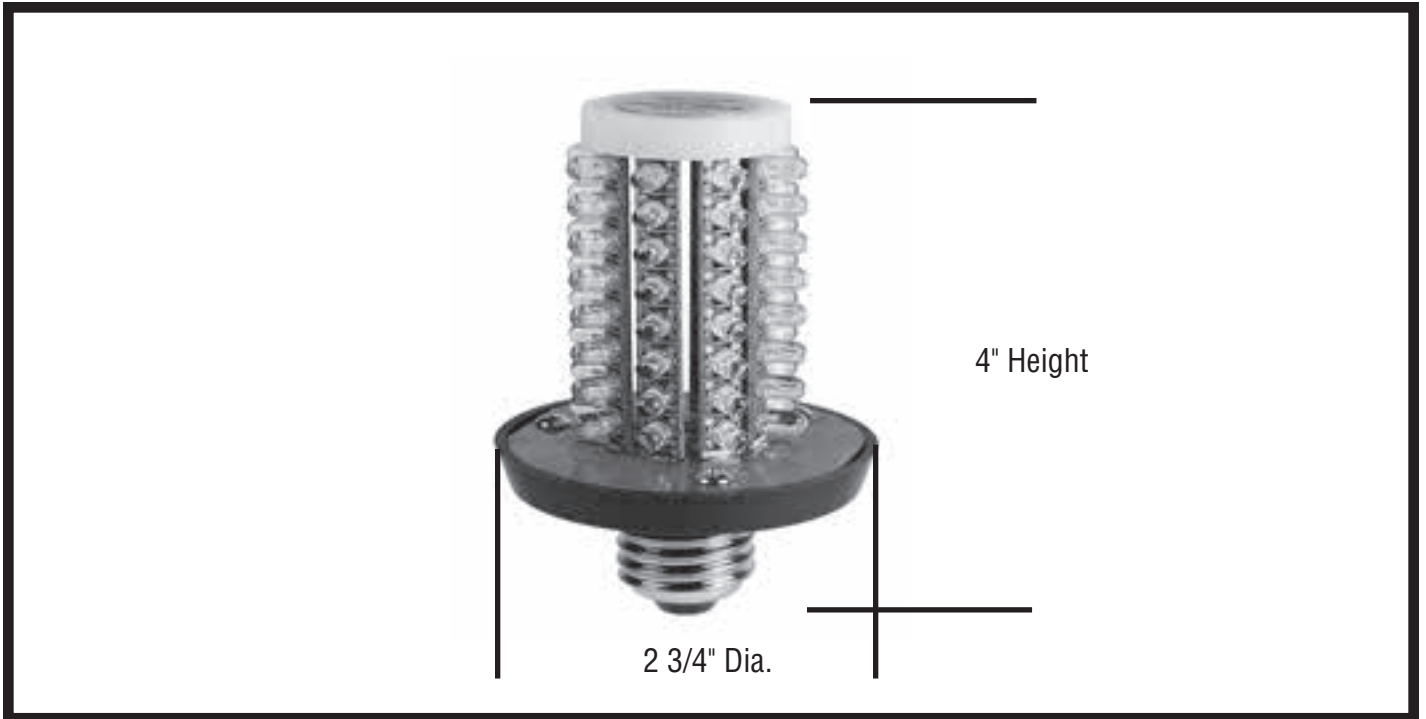
Retro fit the model 120-SB-MSB Steady Burn LED to a Lintern Incandescent Fixture as easy as 1, 2, 3:

1. Remove Lintern Lens, but keep hardware. (screws & springs)
2. Attach the Lexan Plastic Dust Barrier to the top of the aluminum O ring with existing screws & springs.
3. Screw-in the medium base LED and thats it!

The result is a new Steady Burn LED light complete with a Dust Barrier.

120-SB-MSB-DB	120 AC Steady Burn Medium Base LED Light including Dust Barrier. Specify Lens Color.
----------------------	--

120 AC & 250 DC STEADY BURN LED STATUS LIGHTS



250 DC OVERHEAD CRANE STATUS LIGHT

Using Heavy Duty Steady Burn LED medium base LED lights designed for 250 DC overhead cranes, it's possible to provide long life, trouble free status lights for this tough application. This rugged light source employs 64 LEDs securely mounted on plastic strips providing uniform 360 degree illumination.

Just replace your fragile incandescent lamps with this steady burn LED and you now have long life vibration resistant LED lamps.

SPECIFICATIONS

- 250 DC circuitry designed to withstand overvoltage conditions and excessive vibration.
 - Current draw: .017 to .020 amps
 - Voltage range: 250 to 270 DC
 - Overall Size: 2 3/4" Dia. (70.5mm) X 4" H (112mm) including screw base
 - Fits into Lintern Model 900-X-1 Glowlite Fixture
 - Ambient Temperature: -25 to +85 degrees C
- **250 VDC Model includes a bridge diode to provide reliable operation regardless of polarity.**

250-LED-MSB-W

250 DC medium screw base white steady burn LED less Lens

120 AC OVERHEAD CRANE STATUS LIGHT

Using Heavy Duty Steady Burn LED medium base LED lights designed for 120 AC overhead cranes, it's possible to provide long life, trouble free status lights for this tough application. This rugged light source employs 64 LEDs securely mounted on plastic strips providing uniform 360 degree illumination.

Just replace your fragile incandescent lamps with this steady burn LED and you now have long life vibration resistant LED lamps.

SPECIFICATIONS

- 120 AC circuitry designed to withstand overvoltage conditions and excessive vibration.
- Current draw: .020 amps
- Voltage range: 120 AC to 130 AC
- Size: 2 3/4" Dia. (70.5mm) X 4" H (112mm) including screw base
- Fits into Lintern Model 900-X-1 Glowlite Fixture
- Ambient Temperature: -25 to +85 degrees C

120-LED-MSB-W

120 AC medium screw base white steady burn LED less Lens

120, 240, 277 & 480 AC & 250 DC LED FLOOD LIGHTS



Three Year Warranty - All Models



Narrow Beam LED Flood

LED 50 WATT FLOOD LIGHT

This 50 Watt Medium Beam (120 Degrees) LED Flood Light provides an excellent light source for industrial applications replacing high maintenance Incandescent and expensive High Pressure Sodium & Metal Halide sources.

Because LED does not contain toxic Mercury, your lighting is much safer. These LED lamps have an average lifetime of 50,000 hours, giving you many years of maintenance free usage.

SPECIFICATIONS:

- Body material: Aluminum die casting
- Dimensions: 11.42" X 9.30", 10.32 Lbs
- Color: White • 4600K - 5500K
- Wattage: 50 Watts • Lumens: 95-100 lm/Watt
- Average Life: 50,000 Hours
- Viewing Angle: 120 Degrees
- Voltage: 100-277 VAC, & 250 VDC
- DC model polarity Protected
- IP Degree: IP65 = Dust and water jet protection
- Ambient Temperature Range: -40+60C
- Certificates: ETL, CE, RoHS, & GS
- Magnetic Base Option: -MB

FL-50-100-277 100-277 VAC 50/60 Hz.
50 W. Medium Beam LED Flood Light

FL-50-250 250 DC 50 W. Medium
Beam LED Flood Light

-MB Magnetic Base Option

LED 80 WATT FLOOD LIGHT

This 80 Watt Medium Beam (120 Degrees) LED Flood Light provides an excellent light source for industrial applications replacing high maintenance Incandescent and expensive High Pressure Sodium & Metal Halide sources.

Because LED does not contain toxic Mercury, your lighting is much safer. These LED lamps have an average lifetime of 50,000 hours, giving you many years of maintenance free usage.

SPECIFICATIONS:

- Body material: Aluminum die casting
- Dimensions: 11.22" X 14.17", 16.42 Lbs
- Color: White • 4600K - 5500K
- Wattage: 80 Watts • Lumens: 95-100 lm/Watt
- Average Life: 50,000 Hours
- Viewing Angle: 120 Degrees
- Voltage: 100-277 & 480 VAC & 250 VDC
- DC model polarity Protected
- IP Degree: IP65 = Dust and water jet protection
- Ambient Temperature Range: -40+60C
- Certificates: ETL, CE, RoHS & GS
- Plastic lens Option: -P

FL-80-100-277 100-277 VAC, 50/60 Hz.
80 W. Medium Beam LED Flood Light

FL-80-250 250 DC 80 W. Medium
Beam LED Flood Light

FL-80-480 480 VAC 50/60 Hz.
80 W. Medium Beam LED Flood Light

-P Plastic Lens Option

LED 90 WATT FLOOD LIGHT

This 90 Watt Narrow Beam (60 Degrees) LED Flood Light provides a VERY BRIGHT light source for industrial applications replacing high maintenance incandescent and expensive High Pressure Sodium & Metal Halide sources.

Because LED does not contain toxic Mercury, your lighting is much safer. These LED lamps have an average lifetime of 50,000 hours, giving you many years of maintenance free usage.

SPECIFICATIONS:

- Body material: Aluminum die casting
- Dimensions: 11.22" X 14.17", 16.42 Lbs
- Color: White • 4600K - 5500K
- Wattage: 90 Watts • Lumens: 95-100 lm/Watt
- Average Life: 50,000 Hours
- Viewing Angle: 60 Degrees
- Voltage: 100-277 & 480 VAC, & 250 VDC
- DC model polarity Protected
- IP Degree: IP65 = Dust and water jet protection
- Ambient Temperature Range: -40+60C
- Certificates: ETL, CE, RoHS & GS
- Plastic Lens Option -P

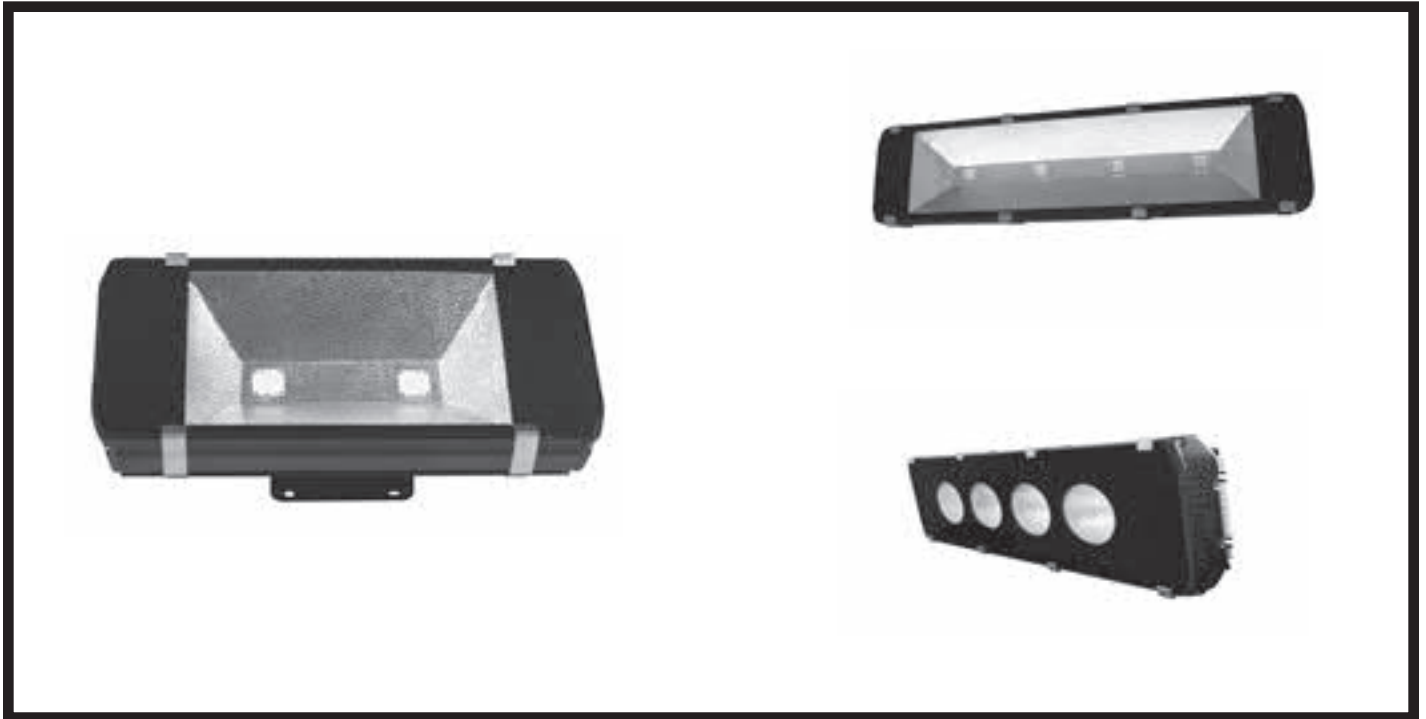
FL-90-100-277NB 100-277 AC 50/60 Hz. 90W
Narrow Beam LED Flood Light

FL-90-250NB 250 DC 90W. Narrow Beam
LED Flood Light

FL-90-480NB 480 VAC 50/60 Hz.
90 W. Narrow Beam LED Flood Light

-P Plastic Lens Option

120 & 200 WATT LED TUNNEL LIGHTS



HEAVY DUTY 120 & 200 WATT LED TUNNEL LIGHTS

These 120 Watt LED & 200 Watt Tunnel flood lights are an excellent choice for applications where uniform lighting is needed in an area difficult to maintain. These LED fixtures provide low wattage, quiet operation, excellent color temperature and extremely long life. LED light sources do not contain toxic chemicals making them easier to dispose of at the end of life.

SPECIFICATION 120 WATT MODEL:

- Body Material: Aluminum
- Tempered sealed glass cover
- Lumens: 95-100 Lm/Watt
- Viewing Angle: 120 D.
- Color Temperature: White CCT = 4600 - 5500 K
- Working Temperature: -40C +55C
- Weatherproof construction: IP65 Grade
- Working life span: 50,000 hours
- Voltage: 100-277VAC, 480 VAC 50/60 Hz. & 250 VDC
- Dimensions: 22.36" Wide X 11.22" High X 3.66" Deep
- Weight: 27.34 Lbs
- Certificate: ETL Pending, CE, RoHS
- Warranty: 3 Years

TL120-100-277 100-277 VAC, 120 W LED Tunnel Light
TL120-250 250 VDC 120 W LED Tunnel Light
TL120-480 480 VAC 120 W LED Tunnel Light

SPECIFICATION 200 WATT MODEL:

- Body Material: Aluminum
- Tempered sealed glass cover
- Lumens: 95-100 Lm/Watt
- Viewing angle: Medium Beam 120 D, Narrow Beam 60 D.
- Color Temperature: White CCT = 4600 - 5500 K
- Working Temperature: -40 + 55C
- Weatherproof construction: IP65 Grade
- Working life span: 50,000 hours
- Voltage: 100-277 VAC, 480 VAC 50/60 Hz. & 250 VDC
- Dimensions: 21.73 "L X 15.69 " H X 6.77" D., Weight: 38 Lbs
- Certificate: ETL Pending, CE, RoHS
- Warranty: 3 Years

TL200-100-277 100-277 VAC, 200 W Medium Beam LED Tunnel Light
TL200-100-277NB 100-277 VAC 200 W Narrow Beam LED Tunnel Light
TL200-250 250 VDC 200 W Medium Beam LED Tunnel Light
TL200-250NB 250 VDC 200 W Narrow Beam LED Tunnel Light
TL200-480 480 VAC 200 W Medium Beam LED Tunnel Light
TL200-480NB 480 VAC 200 W Narrow Beam LED Tunnel Light

50 WATT LED FLOOD LIGHT WITH MAGNETIC BASE

Three Year Warranty



50 WATT FLOOD LIGHT WITH MAGNETIC BASE

This 50 Watt Medium Beam (120 Degrees) LED Flood Light provides an excellent light source for industrial applications replacing high maintenance Incandescent and expensive High Pressure Sodium & Metal Halide sources.

Because LED does not contain toxic Mercury, your lighting is much safer. These LED lamps have an average lifetime of 50,000 hours, giving you many years of maintenance free usage.

SPECIFICATIONS:

- Body material: Aluminum die casting
- Dimensions: 11.42" X 9.30"
- Weight: 9 lbs.
- Color Temperature: White • 4600K - 5500K
- Wattage: 50 Watts • Lumens: 95-100 lm/Watt
- Average Life: 50,000 Hours
- Viewing Angle: 120 Degrees
- Voltage: 100-277 VAC, & 250 VDC
- DC model polarity Protected
- IP Degree: IP65 = Dust and water jet protection
- Ambient Temperature Range: -40+60C
- Certificates: ETL, CE, RoHS & GS

FL-50-100-277MB 100-277 VAC 50 W. Medium Beam LED Flood Light with Magnetic Base
FL-50-250MB 250 DC 50 W. Medium Beam LED Flood Light with Magnetic Base

200 WATT HIGH INTENSITY LED FLOOD LIGHTS

Two Year Warranty



NARROW BEAM



MEDIUM BEAM

200 WATT LED FLOOD LIGHTS

Introducing high lumen output LED Flood Lights using proprietary single powerful 100 Watt LEDs as the light source, it's now possible to provide high bay flood lighting.

Because the LED does not contain toxic Mercury, your lighting is much safer. These LED lamps have an average lifetime of 50,000 hours giving you many years of maintenance free usage.

SPECIFICATIONS:

- Body Material: Aluminum die casting
- Dimensions: 21.73" long X 15.69" high X 6.77" deep
- Weight: 38 lbs.
- Color Temperature: White • 5000-6500K
- Wattage: 200 Watts, .827 amps @ 240 VAC
- Average Life: 50,000 hours
- Lumen output = 95-100 Lumens/Watt
- Ambient temp = -25C+60C
- Viewing angle: Narrow Beam = 60 D. Medium Beam = 120 D.
- Voltage: 100-277 VAC 50/60 Hz., 480 VAC 50/60 Hz. & 250 VDC
- DC Models polarity protected with MOV included for spike voltage protection
- IP Degree: IP65 = dust and water jet protection
- All Models feature High Temperature Vycor Tempered Glass Covers
- Certificates: ETL Pending, CE, RoHS, & GS

FL200-100-277

FL200-100-277NB

FL200-250

FL200-250NB

FL200-480

FL200-480NB

200 W Medium Beam LED Flood Light, 100-277 VAC (120/240/277 VAC)

200 W Narrow Beam LED Flood Light, 100-277 VAC (120/240/277 VAC)

200 W Medium Beam LED Flood Light, 250 VDC

200 W Narrow Beam LED Flood Light, 250 VDC

200 W Medium Beam LED Flood Light, 480 VAC

200 W Narrow Beam LED Flood Light, 480 VAC

LIGHTING EQUIPMENT

Circle D Heavy Duty Floodlights

The Circle D sealed beam flood lamp fixture is the number one choice of the maintenance departments of heavy industry. You will find this fixture used on equipment such as cranes, power shovels, pile drivers etc. CIRCLE D lights are

compact and rugged, built for continuous trouble free service. Features include:

- Thick wall cast aluminum housing
- Spring loaded adjusting socket
- Vertical and horizontal adjustment
- Double lamp support
- All weatherproof



MODEL 601-150/200/300w INCANDESCENT FIXTURE

Single light unit for 150PAR38, 200 or 300 watt R40 medium base lamp. (lamp not included)

601 R40 Medium base fixture
SY-406H Guard



MODEL 101-200/300/500w INCANDESCENT FIXTURE

Single light unit for 200, 300, 500 watt R40 Mogul base lamp. (lamp not included)

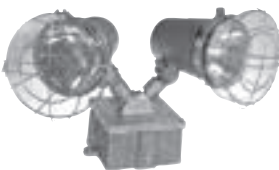
101 R40 Mogul base fixture
SY-400 Guard



MODEL 101M-750.1000/ 1500W INCANDESCENT OR 250/400W MERCURY VAPOR FIXTURE

Single light unit for 750 and 1000 watt R60 incandescent lamp, 1500W R80 incandescent lamp, and 250 or 400 W R60 Mercury Vapor Lamps. (lamps not included)

101M R60/R80 Mogul base fixture
SY-415 Guard



MODEL 1802-DOUBLE 70W HPS FIXTURE

Two light unit for 70W PAR38HPS sealed beam flood lamps, complete with 120 VAC NPF ballast and lamp. Also available as a single light fixture, model 1801.

1801 Single 70PAR38 HPS 120 V NPF
1802 Double 70PAR38 HPS 120 V NPF
AT-15 Photo cell (not shown)
SY-406-H Guard



MODEL PF-52S HPS FIXTURE

Excellent area light features Lexan lens, complete with NPF ballast and lamp.

PF-52-35 35W, 120 V HPS, NPF
PF-52-50 50W, 120 V HPS, NPF
AT-15 Photo Cell (not shown)



MODEL 150-200/300/ 500W PORTABLE

Single light unit for R40 incandescent lamp, mogul base and Lamp. (Less cord.)

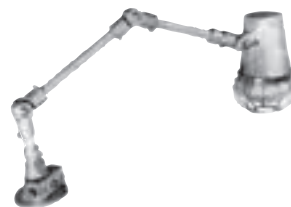
150G R40 Mogul base portable with guard and lamp



MODEL 164-500PAR56 QUARTZ PORTABLE

Single light unit for 500PAR56, 120 V quartz sealed beam lamp, up to 93,000 CP 5 degree narrow beam lamp. (Lamp included)

164G 500PAR56 120 V quartz portable with guard and lamp



MODEL 1105-S MACHINE LIGHT

Fully adjustable machine light for 150, 200 or 300 W PAR38 or R40 medium base lamps. (lamp not included)

1105-S Machine light



MODEL 3011 MARINE LIGHT

U. S. Coast Guard approved light for use with PAR56 lamps. (lamp not included)

3011 Marine light
P3011 Guard



SHOCK MOUNTS

P-18 Shock Mount (needs 202C Box)
202C Junction box with flange base
1/2" inlet two sided solid cover.

CRANE LIGHTS - METAL HALIDE LAMPS



Indoor Metal Halide Crane Lights



Outdoor Metal Halide Crane Lights

400 W MH Pulse Start Indoor Fixture

Cast aluminum spring loaded socket and reflector support provides a reliable indoor crane light for 400 W Pulse Start Metal Halide Lamps. Suitable for use in open fixtures.

Features:

- 25% increase in light output over standard MH Lamps.
- 50% faster warm-up and restrike time.
- 50% increase in life when compared to switch start MH Lamps.
- Protected Pulse Start Lamp contains arc tube rupture that can occur at the end of lamp life. In compliance with the NEC code and EISA.
- **The EISA Ballast Requirement covers Wattages of 500 Watts or less.**
- Size: 14" Dia. X 16 3/4" High
- Contains EX39 exclusionary "pink" mogul socket

400-CLPS Indoor 400 W. fixture for ED37, E37 or BT37 Pulse Start MH Lamps

400 W MH Pulse Start Outdoor Fixture

Cast Aluminum spring loaded socket to securely hold the 400 W Pulse Start MH Lamp against a cushion gasket. This double lamp support provides the best method to resist shock and vibration along with a weatherproof seal.

- Size: 14" Dia. X 19 1/2" High
- In compliance with NEC and EISA
- Contains EX39 exclusionary "Pink" Mogul Socket

400-WPPS Outdoor 400 W fixture for ED37, E37 or BT37 Pulse Start MH Lamp.

Shock Mounts & Junction Boxes



P-19 Shock Mount

211 Junction Box



SM-3/4 HD Shock Mt

1000 W MH Type "O" Protected Lamp

Cast aluminum fixture featuring a spring loaded socket to securely hold the Type O Protected BT56 MH lamp. The Type-O Rated MH Lamps include an internal quartz shroud covering the Arc Tube to contain Arc Tube rupture that can occur at the end of lamp life.

Features:

- NEC Code compliant
- Contains EX39 exclusionary "pink" mogul socket.
- Size: 1000-CLPS: 14" Dia. X 19 3/4" High
- Size: 1000-RPS: 14" Dia. X 17" High

1000-CLPS Indoor 1000 W Fixture for Type O Protected BT56 Lamp
1000-RPS Outdoor 1000 W Fixture for Type O Protected BT56 Lamp

QUICK-PICK ORDERING CHART - Pulse Start & Type O Lamps

Indoor - Pulse Start Lamp & Pulse Start Ballast ANSI M155/M135/M128/O				
Watts	Voltage	Fixture	Lamp No.	Ballast No.
400	120/208/240/277/480	400-CLPS	MP400/BU/PS	78E6052EE

Outdoor - Pulse Start Lamp & Pulse Start Ballast ANSI M155/M135/M128/O				
Watts	Voltage	Fixture	Lamp No.	Ballast No.
400	Specify AC Voltage	400-WPPS	MP400/BU/PS	400-MH-PS-WP-BE

Indoor - Type O Rated MH Lamps & Probe Start Ballast ANSI M47/O				
Watts	Voltage	Fixture	Lamp No.	Ballast No.
1000	120/208/240/277	1000-CLPS	MP1000/BU	78E6592
1000	480	1000-CLPS	MP1000/BU	78E6542

Outdoor - Type O Rated MH Lamps & Probe Start Ballast ANSI M47/O				
Watts	Voltage	Fixture	Lamp No.	Ballast No.
1000	120/208/240/277	1000-RPS	MP1000/BU	79W6592
1000	480	1000-RPS	MP1000/BU	79W6542

NOTE: Contact Sales for 1000 Watt Pulse Start Metal Halide

CRANE LIGHTS - 250 DC MV & AC HPS



Indoor Crane Lights



Outdoor Crane Lights

400-CL MV & HPS • 1000-CL HPS

Cast aluminum spring loaded socket and reflector support provides a reliable indoor cranelight for 250 VDC Mercury Vapor and AC HPS lamps. The highly polished reflector gives a medium beam spread. For additional protection against shock and vibration, include one of the shock mounts listed below.

The 250 VDC Mercury Vapor fixture and lamp combination utilizes a current limiting resistor for operation of a 400 Watt mercury vapor lamp on 250 VDC input voltage. **This resistor acts as a special ballast for 250 VDC and is intended for overhead crane application only, not for general illumination.**

400-CL Indoor 400 W MV & HPS lamps, ED18, BT37, E37 & ED37.
1000-CL Indoor 1000 W HPS lamps, E25

Size 400-CL = 14" Dia. X 16 3/4" High
 Size 1000-CL = 14" Dia. X 18 3/4" High

Notice: The H34GW-1000/DX lamp has been discontinued. Please call our sales department for assistance with replacement fixtures & resistor ballasts for 1000 W 250 VDC applications.

Shock Mounts & Junction Boxes

P-19 Shock Mount



211 Junction Box



SM-3/4 HD Shock Mt



400-WP, & 400-R MV & 750 W SB-MV

Cast aluminum weatherproof fixture featuring a spring loaded socket to securely hold Mercury Vapor and Self Ballasted Mercury Vapor lamps against a cushion gasket. This double lamp support provides the best method to resist shock and vibration. For additional protection against shock and vibration, include one of the shock mounts listed below.

400-WP Outdoor 400 Watt MV lamps, BT37, E37, ED37
 14" dia. X 19 1/2" High

400-R Outdoor 400 Watt R60 MV Lamp no. H33LN-400 & 750 Watt R60 Self Ballasted 250 VDC lamps no. M750R5/7FL
 14" Dia. X 16" High

Quick-Pick Ordering Chart

250 VDC Cranes - Mercury Vapor & Self Ballasted Mercury Vapor

Watts	Voltage	Fixture	Lamp No.	Resistor Ballast No. Indoor/Outdoor
400	250 DC	400-R	H33LN-400	TBA14MVB
400	250 DC	400-CL	H33GL-400/DX	TBA14MVB
400	250 DC	400-WP	H33GL-400/DX	TBA14MVB
750	250 DC	400-R	M750R5/7FL	N.A.

AC Cranes - High Pressure Sodium (indoor only)

400	Specify	400-CL	LU400	Select from list below
1000	Specify	1000-CL	LU1000	Select from list below

High Pressure Sodium Ballasts (indoor only)

400	120/208/240/277	78E8493
400	480	78E8443
1000	120/208/240/277	78E8793-001
1000	480	78E8743-001

250 VDC BALLASTS & SHOCK MOUNTS

400 WATT BALLAST



1000 WATT BALLAST



Solve 250 VDC cranelight lighting by installing MERCURY VAPOR resistor ballasts. Convert fragile, short life incandescent lighting into heavy duty long life mercury vapor.

The resistors employed in these ballasts are wire wound on ceramic cores. The enclosures are heavy gauge steel with the outdoor 400 Watt version in a NEMA 3 louvered box.

MODEL NUMBER	LAMP TYPE	OVERALL DIMENSIONS
TBA14MVB Supercedes 2500A & 2600	1- 400 W. H33-1 Indoor/Outdoor	13.5" H X 7" W X 5" D
2700	1- 1000 W. H34-12 Indoor	14" H X 12" W X 6" D

NOTICE: The above Resistor Ballasts are for 250 DC Cranes and not for general illumination

SUPER HEAVY DUTY SHOCK MOUNT

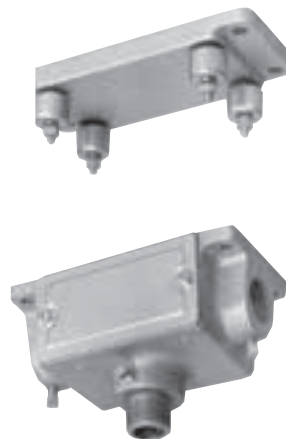


Extend lamp life with this cast aluminum shock mount. The lighting fixture floats on a solid rubber base that absorbs shock and vibration. A ground connection is installed between the top and bottom of the shock mount for added safety.

- 100% weatherproof
- Extra thick casting
- 1/2" or 3/4" IPS models

SM-1/2 1/2" IPS SM
SM-3/4 3/4" IPS SM

HEAVY DUTY SHOCK MOUNT

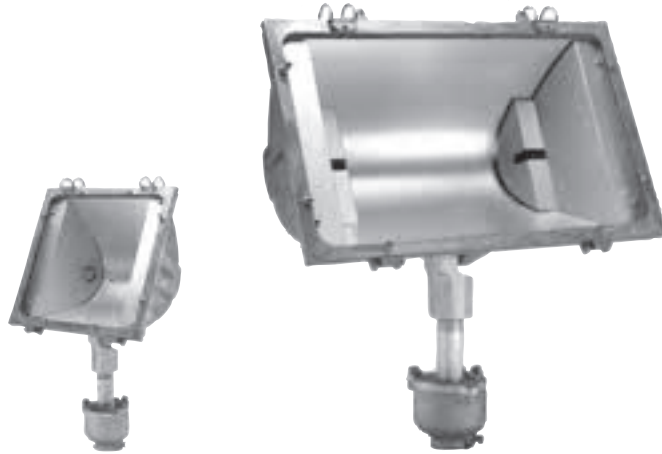


This combination shock mount and junction box protects against shock and vibration while offering the added feature of a junction box. The shock mount must be ordered with the junction box. The junction box can be ordered separately.

- Four bolt flange base shock mount.
- 3/4" IPS inlet each end, solid cover junction box.
- 3/4" IPS for swivel arm.

P-19 Shock Mount
211 Junction Box

HEAVY DUTY QUARTZ FLOODS



HEAVY DUTY QUARTZ FLOODLIGHTS

Extra heavy duty Aluminum housing featuring a shock mount option that qualifies these fixtures for applications of excessive vibration such as overhead cranes, steel mill material handling equipment including 250 VDC equipment. The unique shock mounts used with these fixtures float on a solid rubber base that absorbs shock and vibration. Models shown have shock mounts installed. Lamps not included.

Note: 240 V lamps are suitable for 250 VDC.

Fixtures:

500Q 500W Medium Beam 3/4" Swivel (not shown)

500QSM 500W Medium Beam 3/4" Swivel with shock mount

1500Q 1500W Medium Beam 3/4" Swivel (not shown)

1500QSM 1500W Medium Beam 3/4" Swivel with shock mount

Lamps:

500T3Q/CL 500 W 120 V Quartz lamp 12/ctn

500T3Q/CL/240 500W 240 V Quartz lamp 12/ctn

1500T3Q/CL 1500W 240 V Quartz lamp 12/ctn

Parts:

L-1 1500W Glass fixture lens

L-2 500W Glass fixture lens

SM-3/4 3/4" Heavy duty shock mount

SM-1/2 1/2" Heavy duty shock mount

Self Ballasted Mercury Vapor Lamps

Outstanding Features:

- Up to 16,000 hours lamp life
- 60% brighter than incandescent lamps
- Need no ballast
- Will start below 0°F. Full range of voltage & wattage.



MERCANDESCENTS for 115V—120V-120V

Catalog Number	Description (See Footnote No.)	Nominal Watts	Bulb	Base and Burning Position ⁽¹⁾	Volts ⁽²⁾	Std. Pkg.	Max. Overall Length (Inches)	Approx. Initial Lumens	Max. Beam Candle-power	Starting Current (Amps.)	Operating Current (Amps.)	Average Hours Life ⁽³⁾
M100B2/W	Deluxe White	100	B-21 ⁽⁴⁾	Med.	120	32	6¼	1650	—	1.1	.8	12000
M160PS2/W	Super White	160	PS-30 ⁽⁴⁾	Med.	120	24	7½/16	3125	—	1.6	1.3	12000
M160E2/W	Super White		E-23 ⁽⁴⁾	Med.	120	24	6¾/16	3125	—	1.6	1.3	12000
M160E3/W	★ Super White		E-23 ⁽⁵⁾	Med.	120	24	6¾/16	3125	—	1.6	1.3	12000
M160R3/FL	★ Refl. Flood ⁽⁷⁾		R-40 ⁽⁷⁾	Med.	120	24	6¾/16	—	1400	1.6	1.3	12000
M160PAR2/FL	★ Proj. Flood ⁽⁷⁾		PAR-38 ⁽⁵⁾	Med. Skt.	120	24	6½	—	4200	1.6	1.3	12000
M250PS2/W	Super White		250	PS-35 ⁽⁴⁾	Med.	120	24	9	5750	—	2.8	2.2
M250PS4/W	Super White	Mogul		120	24	9¾	5750	—	2.8	2.2	12000	
M250E3/W	★ Super White	E-28 ⁽⁵⁾		Med.	120	24	8¾	5750	—	2.8	2.2	12000
M250E4/W	★ Super White	Mogul		120	24	8½	5750	—	2.8	2.2	12000	
M250R3/FL	★ Refl. Flood ⁽⁷⁾	R-40 ⁽⁵⁾		Med.	120	24	6¾/16	—	2650	2.8	2.2	12000
M250R4/FL	★ Refl. Flood ⁽⁷⁾	Mogul		120	24	7	2650	2.8	2.2	12000		
M300E2/W	★ Super White	300	E-28 ⁽⁵⁾	Med. Skt.	120	12	8¾	6750	—	3.5	2.9	14000
M300E4/W	★ Super White		Mogul	120	12	8½/16	6750	—	3.5	2.9	14000	
M300R2/FL	★ Refl. Flood ⁽⁷⁾		R-40 ⁽⁵⁾	Med. Skt.	120	12	7½	—	2900	3.5	2.9	14000
M300R4/FL	★ Refl. Flood ⁽⁷⁾		Mogul	120	12	7	—	2900	3.5	2.9	14000	
M500E3/W	★ Super White	500	E-37 ⁽⁵⁾	Mogul	120	6	11¾	11780	—	5.6	4.2	16000
M500R5/FL	★ Refl. Flood ⁽⁷⁾		R-57 ⁽⁶⁾	Mogul	120	6	12¾	—	18000	5.6	4.2	16000
M500R5/W	★ Refl. White ⁽⁸⁾				6	12¾	—	5000	5.6	4.2	16000	
M750BT4/W	★ Super White	750	BT-46 ⁽⁵⁾	Mogul	120	6	14½	21000	—	8.5	6.3	16000
M750R5/FL	★ Refl. Flood ⁽⁷⁾		R-60 ⁽⁶⁾	Mogul	120	6	12¾	—	32000	8.5	6.3	16000
M750R5/W	★ Refl. White ⁽⁸⁾				6	12¾	—	8000	8.5	6.3	16000	

MERCANDESCENTS for 208V—220V—250V—277V

M160E2/4W	Super White	160	E-23 ⁽⁴⁾	Med.	208 ⁽⁹⁾	24	6¾/16	3520	—	.9	.8	12000
M160E2/6W	Super White				230 ⁽¹⁰⁾	24	6¾/16	3520	—	.8	.7	12000
M250E2/6W	Super White	250	E-28 ⁽⁴⁾	Med.	230 ⁽¹⁰⁾	24	8¾	6250	—	1.5	1.1	12000
M300E4/8W	★ Super White	300	E-28 ⁽⁵⁾	Mogul	277 ⁽¹⁵⁾	12	8¾/16	7400	—	1.6	1.1	14000
M500E3/4W	★ Super White	500	E-37 ⁽⁵⁾	Mogul	208 ⁽⁹⁾	6	11¼	14750	—	3.5	2.4	16000
M500E3/6W	★ Super White				230 ⁽¹⁰⁾	6	11¼	14750	—	3.3	2.2	16000
M500E3/8W	★ Super White				277 ⁽¹⁵⁾	6	11¼	14750	—	2.7	1.9	16000
M500R5/6FL	★ Refl. Flood ⁽⁷⁾		R-57 ⁽⁶⁾	Mogul	230 ⁽¹⁰⁾	6	12¾	—	20700	3.3	2.2	16000
M500R5/8FL	★ Refl. Flood ⁽⁷⁾				277 ⁽¹⁵⁾	6	12¾	—	20700	2.7	1.9	16000
M750R5/4FL	★ Refl. Flood ⁽⁷⁾	750	R-60 ⁽⁶⁾	Mogul	208 ⁽¹¹⁾	6	12¾	—	40000	5.2	3.7	16000
M750R5/6FL	★ Refl. Flood ⁽⁷⁾				230 ⁽¹²⁾	6	12¾	—	42000	4.9	3.3	16000
M750R5/7FL	★ Refl. Flood ⁽⁷⁾				250 ⁽¹³⁾	6	12¾	—	42000	4.7	3.0	16000
M750R5/7W	★ Refl. White ⁽⁸⁾					6	12¾	—	10000	4.7	3.0	16000
M750R5/8FL	★ Refl. Flood ⁽⁷⁾				277 ⁽¹⁵⁾	6	12¾	—	42000	4.6	2.8	16000

★ Special Heat Resistant Glass

- (1) Burning position—Any.
- (2) A.C. 50-60 cycles. 120V Lamps can be used in voltage range 115V to 125V. High voltage lamps (230V-277V) can also be operated on D.C.
- (3) Based on eight or more hours per start.
- (4) For indoor use. Outdoors, use enclosed fixture.
- (5) Hard glass for indoor or outdoor use.

- (6) Hard glass for indoor or outdoor use. Outdoors, in base-down operation, use enclosed fixture. In base-up operation, lamp can be used in open-face fixture to 35° below horizontal.
- (7) Inner metallic reflector.
- (8) Phosphor coated and inner metallic reflector.
- (9) Can be used in voltage range 200V to 224V.

- (10) Can be used in voltage range 225V to 249V.
- (11) Can be used in voltage range 200V to 219V.
- (12) Can be used in voltage range 220V to 239V.
- (13) Can be used in voltage range 240V to 259V.
- (14) Can be used in voltage range 208V to 220V.
- (15) Can be used in voltage range 260V to 280V.

INDUSTRIAL FANS



MANCOOLERS

Standard "T" base mounting, these low noise level, heavy duty units provide man cooling and process cooling for both open work areas and spot cooling. Their rugged construction equals that of a permanent fan, yet can be easily positioned and adjusted for directional flow. In accordance with OSHA and AMCA standards.

- M24B1** 24", 1 HP, 1750 RPM, 7200 CFM
- M24B1.5** 24", 1.5 HP, 1750 RPM, 8200 CFM
- M24B2** 24", 2 HP, 1750 RPM, 9200 CFM
- M24B3/4X** 24", 3/4 HP, 1140 RPM, 6600 CFM
- M36B5** 36", 5 HP, 1750 RPM, 25,100 CFM
- M36B2X** 36", 2 HP, 1140 RPM, 17,000 CFM
- M36B3X** 36", 3 HP, 1140 RPM, 20,000 CFM
- M36B5X** 36", 5 HP, 1140 RPM, 24,900 CF

LEGEND

- B** = 230/460/3/60 Hz
- C** = 115/230/1/60 Hz
- X** = 1140 RPM
- Z** = 850 RPM

OPTIONS

- 4LA** = 4 legs
- WC** = with casters
- WM** = wall mount
- TW** = Trolley wheels

CRANE CAB FANS



Standard adjustable base mount

-TB Tripod base

- C12A** 12", 1/3 HP, 1750 RPM, 1500 CFM, 250 VDC
- C16A** 16", 1/3 HP, 1750 RPM, 2800 CFM, 250 VDC
- C18A** 18", 1/3 HP, 1750 RPM, 3400 CFM, 250 VDC

LEGEND

- A** = 250 VDC
- B** = 230/460/3/60 Hz
- C** = 115/230/1/60 Hz
- X** = 1140 RPM

OPTIONS

- TB** = tripod base

MODEL NUMBER SPECIFICATION LAYOUT

Example: M36B5X-4LA-WC

- M** = Unit Type
- 36** = Blade Dia.
- B** = Voltage
- 5** = Motor HP
- X** = RPM
- 4LA** = Base
- WC** = With Casters

Electrical: **A** = 250 VDC
B = 230/460/3/60 Hz
C = 115/230/1/60 Hz

RPM: = 1750
X = 1140
Z = 850

Consult sales department for other accessories, plugs, wiring, starters, aluminum propellers and other motor types.

DRUM STYLE MANCOOLERS

Standard "T" base mounting, the drum style units offer the same performance characteristics as the popular Mancoolers, but with the added feature of greater air direction. This helps condition difficult to reach areas and provides even greater spot cooling of equipment and processing operations.

- D36B5** 36", 5HP, 1750 RPM, 25,100 CFM
- D36B2X** 36", 2HP, 1140 RPM, 17,000 CFM
- D36B3X** 36", 3HP, 1140 RPM, 20,000 CFM
- D36B5X** 36", 5HP, 1140 RPM, 24,900 CFM
- D42B7.5** 42", 7.5HP, 1750 RPM, 30,000 CFM
- D42B3X** 42", 3HP, 1140 RPM, 23,500 CFM
- D42B5X** 42", 5HP, 1140 RPM, 28,000 CFM
- D42B7.5X** 42", 7.5HP, 1140 RPM, 32,500 CFM

LEGEND

- B** = 230/460/3/60 Hz
- C** = 115/230/1/60 Hz
- X** = 1140 RPM
- Z** = 850 RPM

OPTIONS

- 4LA** = 4 legs
- P** = Pedestal
- PS** = Pedestal swivel
- WC** = with casters



ELECTRIC UNIT HEATERS



STANDARD UNIT HEATER

ELECTRIC UNIT HEATERS - UL LISTED

CATALOG NO.	VOLTAGE	KW	PHASE	CONTACTOR
AUH-248-SA	240	2.5	1	Not Needed
AUH-348-SA	480	3.3	3	Built-in
AUH-548-SA	480	5	1 or 3	Built-in
AUH-748-SA	480	7.5	1 or 3	Built-in
AUH-1048-M	480	10	1 or 3	Built-in
AUH-1248-M	480	12.5	1 or 3	Built-in
AUH-1548-M	480	15	1 or 3	Built-in

Specify - PORTABLE to order Portable Electric Unit Heaters



PORTABLE UNIT HEATER

UNIT HEATERS ACCESSORIES AND CONTROLS

- CWB-1** Combination wall/ceiling bracket for 2.5 thru 15 KW units. Not needed on S models.
- WB-1A** One-piece wall mounting bracket for 2.5 thru 15 KW units. Not needed on S models.
- CB-1A** One-piece ceiling mounting bracket for 2.5 thru 15 KW units. Not needed on S models.
- AUH-TA-1** Single pole thermostat fit for field installation in all units except three phase AUH-520 and AUH-524. 40 - 150 F.
- AUH-TA2** Double line thermostat kit for field installation in three phase AUH-520 and AUH-524 units. 50 to - 150 F.



PORTABLE HEATERS

PORTABLE HEATERS

CATALOG NO.	WATTS	VOLTS	PHASE
SH135431	13,500	480	3
PPH643	6,000	480	3
PHX454	4,500	480	1

Not supplied with cord (Available as option). Price includes heavy duty protective screen

CRANE CAB HEATERS



CRANE CAB HEATERS - 220 to 250 VDC

CATALOG NO.	SWITCH	WATTS	HEIGHT	WIDTH	DEPTH
A-230CH-1	No	1 KW	8"	20.75"	4.25"
A-230CH-1-S	Yes	1 KW	8"	20.75"	4.25"
A-230CH-2	No	2 KW	8"	20.75"	4.25"
A-230CH-2-S	Yes	2 KW	8"	20.75"	4.25"
A-230CH-4	No	4 KW	13.25"	20.75"	4.25"
A-230CH-4-S	Yes	4 KW	13.25"	20.75"	4.25"
A-230CH-2/2-S	Yes	4 KW (2+2)	13.25"	20.75"	4.25"
A-230CH-6	No	6 KW	13.25"	20.75"	4.25"
A-230CH-6-S	Yes	6 KW	13.25"	20.75"	4.25"
A-230CH-2/2/2-S	Yes	6 KW (2+2+2)	13.25"	20.75"	4.25"

* Heavy-duty wirewound heating elements.

Natural convection heaters are ideal for heating crane cabs, guard houses and other normally unheated areas. All heaters feature heavy-duty wirewound heating elements mounted in a rugged galvanized steel enclosure with perforated cover. All units are suitable for floor or wall mounting and have convenient knockouts for permanent conduit installation. Heavy-duty DC rated switches are also available for on/off or multiple heat settings.

FIRE ALARM PULL STATIONS



RMS Series

The RMS series of manual pull stations are a high quality non toxic and low profile design with smooth edges that offer an attractive yet functional design. All components are prepainted or have plated surfaces to inhibit corrosion. Electrically the RMS series manual pull station is unbeatable with 10 amp snap action switch offered in all possible contact arrangements.

FEATURES - ALL MODELS

- UL
- single or dual action
- Break Glass
- Lift and Pull
- 9 different colors
- Custom Lettering available in any language

RMS Models:

- RMS-1P** S.P.S.T. w/pigtail connection
- RMS-1T** S.P.S.T. w/terminal connection
- RMS-2T** D.P.S.T. w/terminal connection
- RMS-LP** S.P.S.T. w/terminal Lift & Pull (dual)
- RMS-BG** D.P.D.T. w/terminal break glass (dual)

OPTIONS & ACCESSORIES - ALL MODELS

- GR** Glass rods
- GP** Replacement Glass
- BB** Indoor Back Box (surface mount)
- DBB** Deep indoor back box (surface mount)
- NC-BGC** Break Glass Cover

AVAILABLE COLORS:

Red, Blue, Green, Yellow, White, Black, Grey, Purple (magenta) Orange



RMS-EX-WP Series

The RMS-EX-WP series of explosion proof and weather proof manual pull stations are constructed of high strength metal die-cast alloy and the finest workmanship available. The RMS-EX-WP series have a UL rating of Class I, division 1, Group B (hydrogen) C & D, Class II, division 1, Groups E, F & G, Class III and an outdoor rating of type NEMA 4X. Electrically the RMS-EX-WP series manual pull station is unbeatable with 10 amp snap action switch offered in all possible contact arrangements.

RMS-EX-WP Models

- RMS-EX-WP** D.P.D.T. w/terminal connection
- RMS-EX-WP-LP** D.P.D.T. w/terminal connection (Lift & Pull dual action)
- RMS-EX-WP-BG** D.P.D.T. w/terminal connection Break Glass (dual action)



RMS-WP Series

The RMS-WP series of weatherproof NEMA 4X rated manual pull stations are a high quality non toxic and low profile design with smooth edges that offer an attractive yet functional design. All components are prepainted or have plated surfaces to inhibit corrosion. Electrically the RMS-WP series manual pull station is unbeatable with 10 amp snap action switch offered in all possible contact arrangements.

RMS-WP Models

- RMS-PWP** S.P.S.P w/pigtail connection
- RMS-TWP** S.P.S.T. w/terminal connection
- RMS-2WP** D.P.S.T. w/terminal connection
- RMS-WP-LP** D.P.D.T. w/terminal connection lift & pull (dual action)
- RMS-WP-BG** D.P.D.T. w/terminal connection Break Glass (dual action)

BREAK GLASS COVER



The cover is made of heavy gauge steel and offers the user the proven glass break deterrent.

NC-BGC

Break Glass Cover



772P-1228 Strobe Power Supply

The model 772P is an economical remote strobe power supply designed to alternately flash two remote strobe heads at a rate of 70 double flashes per minute each. The unit is small for easy mounting in hard to fit areas. The 772P is fully potted making it vibration and water resistant. For 100% weatherproof application specify -WP weatherproof connectors. The unit features polarity protection, continuous duty circuitry and RFI filters. The 772P operates from 12-28 DC and is fully protected against shorts or opens in the lamp wiring. The power supply is constructed with a glass filled Lexan case and polyurethane potting.

ORDERING INFORMATION

772P-1228 2 Lamp, 45 Watts, DF, 12-28 DC
772P-1228-WP 2 Lamp, 45 Watts, DF, 12-28 DC, WP Connectors

SPECIFICATIONS

Power Requirements:
Draws 4.25 amps avg. @ 12 DC tapering to 2.125 amps avg. @ 24 DC

Output Power Rating:
45 Watts Minimum

Flash Rate:
70 DFPM/Head Minimum

Size:
7.125" (181 mm) X 3.75" (44 mm)

Weight:
2.5 lbs (1.12 kg)

Warranty:
Five year warranty



400-1228/401-1228 Mini NEOBE Power Supply

The model 400 is a low cost remote NEOBE power supply designed to alternately flash any two remote strobe heads at a rate of 60 bursts per minute each. The unit is a tiny 2" X 3" X 1.5" for easy mounting in any area. The 400 is fully potted making it vibration and water resistant. For 100% weatherproof application specify -WP weatherproof connectors. The unit features polarity protection, continuous duty circuitry, and RFI filters. The 400 operates on 12 thru 28 DC and is fully protected against short or opens in the lamp wiring.

ORDERING INFORMATION

400-1228 2 Lamp, 20 Watts, 12-28 DC
400-1228-WP 2 Lamp, 20 Watts, 12-28 DC, WP Connectors
401-1228 1 Lamp, 20 Watts, 12-28 DC
401-1228-WP 1 Lamp, 20 Watts, 12-28 DC, WP Connectors
401-CF-1228 1 Lamp, 20 Watts, 12-28 DC Continuous Flash
401-CF-1228-WP 1 Lamp, 20 Watts, 12-28 DC, CF, WP Connectors

SPECIFICATIONS

Power Requirements
Draws 1.85 amps avg. @ 12 DC tapering to 0.9 amps avg. @ 24 DC

Output Power Rating:
20 Watts Minimum

Flash Rate:
60 Bursts per minute/Head, 6 Flashes per burst

Construction:
ABS Case, Polyurethane Potting

Size:
2" (50mm) X 3" (76.2mm) X 1.5" (38mm)

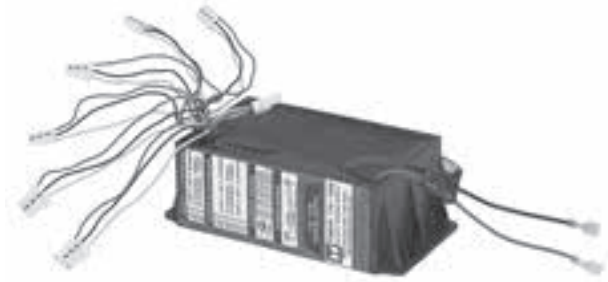
Weight:
0.6 lbs (276mm)

Mounting Holes:
2 Holes, 0.187" Dia. (4.75mm) on 2" (50mm) Centers



770P-1228 Strobe Power Supply

The model 770P remote strobe power supply is designed to alternately flash two groups of remote strobe heads in either high or low intensity and normal or pursuit flash rate. The 770P is controlled manually by 4 customer provided SPST low current switches which select low-high intensity, flash rate, lamp group 1 on-off control and lamp group 2 on-off control. All functions may be wired to allow control by a single low current switch if desired. The 770P operates from 12-28 DC and is fully potted making it vibration and water resistant. For 100% weatherproof applications specify the -WP weather proof connectors. It also features polarity protection, heavy duty precision circuitry and RFI filters. The power supply is constructed with a glass filled Lexan case and polyurethane potting.



776-1228 Strobe Power Supply

The model 776 remote strobe power supply is designed to alternately flash two groups of remote strobe heads in either high or low intensity and normal or pursuit flash rate. The 776 is controlled manually by 4 customer provided SPST low current switches which select low-high intensity, flash rate, lamp group 1 on-off control and lamp group 2 on-off control. All functions may be wired to allow control by a single low current switch if desired. The 776 operates from 12-28 DC and is fully potted making it vibration and water resistant. For 100% weatherproof applications specify the -WP weather proof connectors. It also features polarity protection, heavy duty precision circuitry and RFI filters. The power supply is constructed with a glass filled Lexan case and polyurethane potting.

ORDERING INFORMATION

770P-1228	4 Lamp, 65 Watts, with head cut-out circuitry, intensity control, normal and pursuit flash rates, 12-28 DC
770P-1228-WP	Same as above with -WP Connectors

ORDERING INFORMATION

776-1228	6 Lamp, 65 Watts, with head cut-out circuitry, intensity control, normal and pursuit flash rates, 12-28 DC
776-1228-WP	Same as above with -WP Connectors

SPECIFICATIONS

Power Requirements:

Draws 6.0 amps avg. @ 12 DC tapering to 3.0 amps avg. @ 24 DC

Output Power Rating:

65 Watts Minimum in High Intensity
NORMAL Flash Rate, 2 Groups Running

Flash Rate:

NORMAL rate 70 DFPM/Head Minimum (140 FPM Total)
Pursuit rate 170 DFPM/Head Minimum (340 FPM Total)

Control Features:

On-Off and all features are controlled by switching positive, low battery voltage. The main battery power may be left connected to the supply at all times. Current draw is less than 100 microamps in standby.

Size:

7.125" (181mm) X 3.75" (95mm) X 2.50" (64mm)

Weight:

3.5 lbs (1.56 kg)

Warranty:

Five Year Warranty

SPECIFICATIONS

Power Requirements

Draws 6.0 amps avg. @ 12 DC tapering to 3.0 amps avg. @ 24 DC

Output Power Rating:

65 Watts Minimum in High Intensity
NORMAL Flash Rate, 2 Groups Running

Flash Rate:

NORMAL rate 70 DFPM/Head Minimum (140 FPM Total)
Pursuit rate 170 DFPM/Head Minimum (340 FPM Total)

Control Features:

On-Off and all features are controlled by switching positive, low battery voltage. The main battery power may be left connected to the supply at all times. Current draw is less than 100 microamps in standby.

Size:

7.125" (181mm) X 3.75" (95mm) X 2.50" (64mm)

Weight:

3.5 lbs. (1.56kg)

Warranty:

Five Year Warranty

REMOTE STROBE HEADS 360 DEGREES

by Tomar Electronics



470-R1
Strobe

700-R1
Strobe

490S-R1
Strobe

801-RL
Strobe

800-RL
Strobe

Tomar's remote strobe lighthoods are designed to be used with all Tomar's strobe or NEOBE remote power supplies. Tomar's remote strobe lighthoods feature 360 degree Lexan lenses. The Model 801 remote strobe head features a low profile Lexan MINILITE lens and a lightweight base that can be flange mounted, 1/2" pipe mounted or surface mounted. The Model 800 Remote strobe head features a medium profile Lexan lens and a lightweight base that can be flange mounted, 1/2" pipe mounted or surface mounted. All models have replaceable plug-in lamps except for the 470-R1 and 700-R1 which are hermetically sealed assemblies.

Notes: Model 801-RL and 800-RL are offered with (WP) Weatherproof leads/connectors and should be installed with Power Supplies that contain (WP) connectors.

ORDERING INFORMATION

Model No.		Lens Height
470-R1	Hermetically Sealed 6" Leads	3.25"
700-R1	Hermetically Sealed, Flange Mount	3.25"
490S-R1	Low Profile, 1/2" Pipe Hub, 6" leads	5"
495S-R1	Low Profile, 1/2" Male Thread, 6" Leads	5"
490S-RL-20	Low Profile, 1/2" Pipe Hub, 15' Cable	5"
495S-RL-20	Low Profile, 1/2" Male Thread, 15' Cable	5"
800-RL	1/2" Pipe Mount, 6" Lead	6.75"
800-RL-WP	1/2" Pipe Mount, 6" WP Leads	6.75"
800-RL-15	1/2" Pipe Mount, 15' Cable	6.75"
801-RL	1/2" Pipe Mount, 6" Leads	5.25"
801-RL-WP	1/2" Pipe Mount, 6" WP Leads	5.25"
801-RL-15	1/2" Pipe Mount, 15' Cable	5.25"

ACCESSORIES

700-DC	Clear Lens dust Cover (Model 700-RL)
/LBO-MINI	180 Degree Lens Blackout (Models 470, 490, 495, 700)
802-03	Clear Lens Dust Cover (Model 801)
800/1250-DC	Clear Lens Dust Cover (Model 800)
/LBO-MINILITE	180 Degree Lens Blackout (Model 801)
/LBO-MAXI	180 Degree Lens Blackout (Model 800)
TBO-MAXI	Top Lens Blackout (Models 800, 801)
G802	Heavy Duty Guard (Model 801)
G800	Heavy Duty Guard (Model 800)
800-R1-BASE	Base and Assembly (Models 800, 801)
800-FLG	Flange Mounting Ring (Models 800, 801)

SPECIFICATIONS

Lamp Type	470-RL	Models 800, 801
	3001	Models 490S, 495S
Overall Size	470-RL	3.6" Tall X 2.9" Dia.
	490S	5.0" Tall X 3.0" Dia.
	700	3.6" Tall X 4.0" Dia.
	801	5.25" Tall X 5.5" Dia.
	800	7.25" Tall X 5.5" Dia.
Intensity	Candelas effective, based on a single head. Divide by 2 when using 2 heads that flash simultaneously. Intensities shown in normal mode.	

Power Supply	Model 470-R1, 700, 490S, 495S Intensity in Candelas Effective				
	Clear	Amber	Blue	Green	Red
772P-1228	520	390	160	105	70
774-1228	405	305	125	80	50
776-1228	405	305	125	80	50
	Model 801				
772P-1228	900	620	210	160	150
774-1228	1230	845	290	220	210
776-1228	1230	845	290	220	210
	Model 800				
772P-1228	940	650	220	170	160
774-1228	1370	940	320	245	235
776-1228	1370	940	320	245	235



PAR-36 & PAR-36E Strobe Heads

The model PAR-36 and PAR-36E remote strobe heads are designed to be used with Tomar's strobe power supplies. Tomar PAR lighthouse family of remote strobeheads feature a sealed beam strobe lamp with a Lexan lens. Tomar's PAR-36E EXTENDED LENS remote strobeheads feature Tomar's SIDE OPTICS that create a wide beam spread pattern of light, visible from the front and both sides. The PAR-36 and PAR-36E are available with a choice of black rubber (shown in above picture) or stainless steel shells.

RECT-34 & 37 Strobe Heads

The model RECT-37 and RECT-34 series sealed beam lamps are 100% watertight and features a chrome coated reflector. They are molded from Lexan and designed to fit all popular utility, large mobile equipment and trucks. The RECT-37 & RECT-34 are furnished with a drill template, gasket, and mounting hardware; and can be used with all Tomar power supplies.

ORDERING INFORMATION

- PAR-36B-AMBER** Amber sealed beam strobehead, rubber shell, 15' cable
- PAR-36EB-AMBER** Amber sealed beam, extended lens, rubber shell, 15' cable
- PAR-36ES-AMBER** Amber sealed beam, extended lens, SS Shell, 15' cable
- PAR-36S-AMBER** Amber sealed beam strobehead, SS Shell, 15' cable
- PAR-36-SS** PAR-36 stainless steel shell
- UBKT** Universal SS bracket for PAR-36 or PAR-36E lighthouse
- PAR-36B-S** PAR-36 black rubber shell
- 15C** 15' cable

ORDERING INFORMATION

- RECT-37S-AMBER** Amber remote 3" X 7" rectangular strobe lamp
- RECT-34S-AMBER** Amber remote 3" X 4" rectangular strobe lamp

SPECIFICATIONS

Intensity:

Intensity in Candelas Effective

Power Supply	Amber	Note
772P-1228	2100	
770P-1228 with 1 group on	1500	
770P-1228 with 2 groups on	2930	*
776-1228 with 1 group on	1550	
776-1228 with 2 groups on	2930	*

* Use with outside free air application only

Divide by 2 when using heads that flash simultaneously

Note: Intensity when viewing PAR-36E from side is 20% of the intensity rating to the front.

Warranty: Standard Tomar Warranty

SPECIFICATIONS

Intensity:

Intensity in Candelas Effective, based on a single head

Power Supply	RECT-34S-AMBER	RECT-37S-AMBER
772P-1228	1040	5630
770P-1228	820	8480
776-1228	820	8480

Divide by 2 when using heads that flash simultaneously

Note: Intensity when viewing the RECT-34S from the side is 35% of the intensity rating to the front.

Warranty: Standard Tomar Warranty

Call, fax or email for information on enclosures: (surface mtg., recess mtg., bumper mtg.)

Call: 800-227-9636

Fax: 800-592-4700

Email: sales@maxi-signal.com

REPLACEMENT STROBE LAMPS

by Tomar Electronics



Strobe lamps are high-intensity light sources which use glass and quartz tubing filled with xenon gas to efficiently convert 20 to 50% of the applied electrical energy into optical energy. Similarly, an incandescent light converts only 1 to 3% of the electrical energy into optical energy. An important feature of the xenon strobe lamp is its ability to produce a high peak blue-white light output of short duration. All TOMAR strobe lamps have a trigger coil potted into their assemblies except the low cost model 2001, 5001 and 5002 lamps.

ORDERING INFORMATION

SPECIFICATIONS

Model Number	Min Voltage	MaxVoltage	AvgWatts	Base/Connector	Note
2001	225	450	10	3 PIN AMP	USE EXTERNAL TRIGGER
2002	225	450	10	3 PIN AMP	
3001	180	600	20	OCTAL	
4001	225	600	20	OCTAL	
470-RL-CLEAR, RED, BLUE, AMBER	200	600	20	3 PIN AMP	6" WIRE LEADS
4701 (Note 3)	225	600	20	3 PIN AMP	6" WIRE LEADS
5001	225	400	5	3 PIN AMP	USE EXTERNAL TRIGGER
5002	200	600	1	3 PIN MOLEX	USE EXTERNAL TRIGGER
6001	225	800	40	OCTAL	NON-POLAR
7001	600	2000	300	OCTAL-LARGE	QUARTZ FORCED AIR COOL
9001 (Not Shown)	225	800	20	3 PIN AMP	
PAR-36-ALL COLORS	225	600	20	3 PIN AMP	
PAR-36E-RED, BLUE & AMBER	225	600	20	3 PIN AMP	
PAR-56-ALL COLORS	225	600	40	3 PIN AMP	
700-R1-ALL COLORS	180	600	20	3 PIN AMP	

Electrical Notes

- All lamps are triggered by discharging a 0.22 MFD capacitor charged to 200 VDC into the trigger connection.
- All lamps are polarity sensitive except the 6001.
- Rubber friction mount base mounts in 1" Dia. hole.

W	C	Octal	Pin 2 – Anode, Pin 3 – Trigger,
I	O	(Except 7001)	Pin6— Cathode & Trigger Grd.
R	N	Octal Large	Pin 2 – Anode, Pin 3 – Trigger, Pin 5 –
I	N	(7001 Only)	Trigger Grd, Pin 6 – Cathode
N	E	3 Pin Amp	Pin 1— Anode, Pin 2 – Cathode,
G	C	Mate-N-Lok	Pin 3 – Trigger
T	O	5001	Pin 1 – Trigger HV, Pin 2 – Cathode,
R			Pin 3 – Anode
S		2001	Pin 1 – Anode, Pin 2 – Trigger,
			Pin 3 – Cathode

INDEPENDENT SALES REPRESENTATIVES

WI, Northern IL

AAD Ltd.
Tony Di Viesti
529 South Western Avenue
Park Ridge, IL 60068

Voice: 847.825.4680
aadlimited@aol.com

Fax: 847-825-4883
Cell: 847-571-1936

OH, WV, Western PA, Eastern KY & Western NY

James J. Fairbanks Inc.
7342 Hubbard Bedford Road
Hubbard, OH 44425

Voice: 330-534-1374
jjfstrobe@aol.com

Fax: 330-534-2745

Central TN, AL, GA, FL

Thomas Agency Inc.
2704 Commerce Square East
Birmingham, AL 35210
www.thomasagency.com

Voice: 205-951-3100
edthomas@thomasagency.com

Fax: 205-951-3005
Cell: 205-253-7633

Steve Mikkleson - Florida
320 Valera Ct.
Winter Park, FL 32789

Voice: 407-647-8111
ThomasagcyFL@aol.com

Fax: 407-647-4736
Cell: 407-923-7290

ME, NH, VT, MA, RI, CT

Slowe Associates
3 Grand View Terrace
Quincy, MA 02170

Voice: 617.773.8400
tomslowe@aol.com

Fax: 617-773-5814

NC, SC & Eastern TN

John Hutson Company
803 Floyd St.
Kings Mountain, NC 28086
704-730-8320,
Mike@johnhutsoncompany.com

Fax: 704-730-8321

MICHIGAN

J. R. Gorman and Associates, LLC
3493 Ramada Drive
Highland, MI 48356

Voice: 248.887.0337
gormanjr@juno.com

Fax: 248-887-8399
Cell: 248-408-6857

IN & Western KY

Advanced Industrial Marketing, Inc.
10300 Springstone Road
McCordsville, IN 46055

Voice: 800-556-6981 X 701
rhruskoci@advindmktg.com

Fax: 317-577-9515

TX, OK, AR, LA, & Western TN

Orr Sales Inc.
3 Misted Lilac Place
The Woodlands, TX 77381

Voice: 713-828-8715
bbsborr@aol.com

Fax: 936-321-6715

MD, NJ, DE, Eastern PA

Pow-R-Motion & Control, Inc.
21 Wilson Ave.
West Chester, PA 19382

Voice: 610.696.7664
Sales@Pow-R-Motion.com

Fax: 610-430-0130
www.pow-r-motion.com

VIRGINIA

Ray Fayle Agency
2703 Walnut Creek Ct
Midlothian, VA 23112

Voice/Fax: 804-562-9428
Raymond.Fayle@comcast.net

Cell: 804-356-9284

Southern IL, MO, KS, IA, NE

Mocker and Associates Inc.
201 Vest Ave.
Valley Park, MO 63088

Voice: 636-227-4777
Sales@mocker.cc

Fax: 636-277-0807
Cell: 314-323-0011



MAXI-SIGNAL PRODUCTS

division of **mill specialties**

TOLL FREE PHONE 800-227-9636 • FAX 800-592-4700
www.maxi-signal.com • E-mail: sales@maxi-signal.com



Printed in the U.S.A. on Recycled Paper