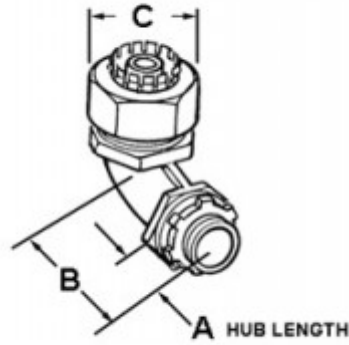


## Connector, Liquid Tight, Cast Zinc, Size 2-1/2 Inch

90 Degree connector for use with metallic and nonmetallic "Type B" liquid tight conduit. 1" and up cast zinc. Liquidtight connectors are suitable for use in Class I, Div 2; Class II, Div 1 and 2; and Class III, Div 1 and 2 hazardous locations.

[Download Photo](#)[Download Drawing](#)

### Product details

|                                   |                    |
|-----------------------------------|--------------------|
| <b>Catalog Number:</b>            | 476-LT2            |
| <b>UPC Number:</b>                | 781747154767       |
| <b>Finish:</b>                    | Zinc electro-plate |
| <b>Trade Size:</b>                | 2-1/2"             |
| <b>Standard Package Quantity:</b> | 1                  |

### Dimensions

|                      |        |
|----------------------|--------|
| <b>Trade Size:</b>   | 2-1/2" |
| <b>Dimensions A:</b> | 11/16  |
| <b>Dimensions B:</b> | 3-1/2  |
| <b>Dimensions C:</b> | 4-1/8  |

### Certifications & Codes

**Federal Specification Number:** A-A-50552**UL File Number:** E9391**CSA File Number:** LR39354**UNSPSC:** 39121420**Nema Standard:** FB-1**UL Standard:** UL-514B