

Fluorescent Lampholders and Starters

Medium Bi-Pin
660W 600V
Fluorescent Starters



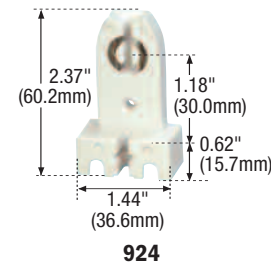
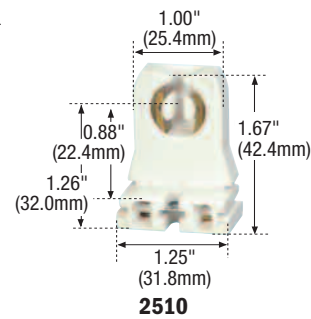
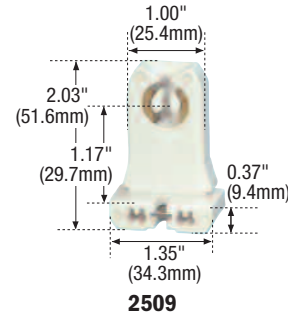
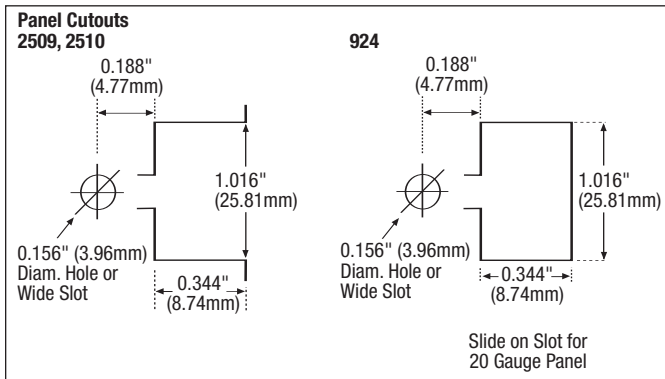
Fluorescent Lampholders

FEATURES

- Molded of white thermoset plastic for neat appearance and durability.
- For replacement use in fluorescent lighting fixtures.
- Use for flush or surface mounting.
- Captive pal nut for easy mounting.
- Push-in wire terminals feature release slots.

Medium Bi-Pin

| Rating | W | V | Description | Terminals | Mounting | Color | Catalog No. |
|--------|-----|-----|-------------|-----------------|------------------|-------|-------------|
| | 660 | 600 | Standard | Push Wire | Slide-On & Screw | White | 2509W |
| | 660 | 600 | Short | Push Wire | Slide-On & Screw | White | 2510W |
| | 660 | 600 | Standard | Screw Terminals | Screw | White | 924W |



45FS2

Fluorescent Starters - Condenser Type

FEATURES

- All-purpose two-terminal standard starter accurately timed to combine starts with long bulb life.
- For use where lights are turned on more than five times daily. Also in devices where bulb life expectancy is two years or less.

Fluorescent Starters - Condenser Type

| Rating W | Lamp Size | Catalog No. |
|----------|--|-------------|
| 15-20 | 18" (45.72cm) -15W or 24" (60.96cm)-20W | 45FS2 |
| 30-40 | 36" (91.44cm) -30W or 48" (121.92cm)-40W | 45FS4 |

TESTING & CODE COMPLIANCE

- UL Listed, Meet UL requirements
- CSA Certified, Meet CSA requirements, C22.2 no. 43

MATERIAL CHARACTERISTICS

Temperature Rating:
-40°C to 65°C

Fluorescent Lampholders and Starters

Medium Bi-Pin
660W 600V
Fluorescent Starters



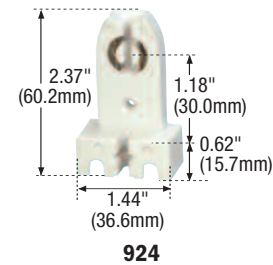
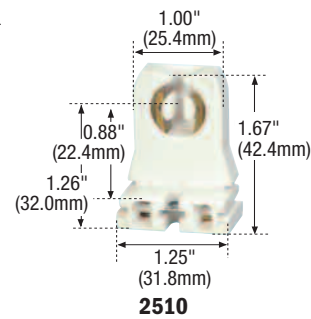
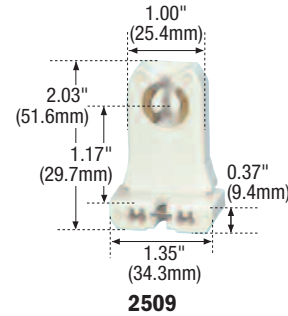
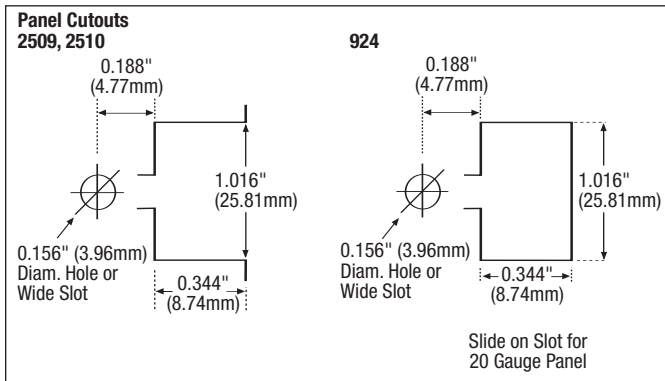
Fluorescent Lampholders

FEATURES

- Molded of white thermoset plastic for neat appearance and durability.
- For replacement use in fluorescent lighting fixtures.
- Use for flush or surface mounting.
- Captive pal nut for easy mounting.
- Push-in wire terminals feature release slots.

Medium Bi-Pin

| Rating | W | V | Description | Terminals | Mounting | Color | Catalog No. |
|--------|-----|-----|-------------|-----------------|------------------|-------|-------------|
| | 660 | 600 | Standard | Push Wire | Slide-On & Screw | White | 2509W |
| | 660 | 600 | Short | Push Wire | Slide-On & Screw | White | 2510W |
| | 660 | 600 | Standard | Screw Terminals | Screw | White | 924W |



Fluorescent Starters - Condenser Type

FEATURES

- All-purpose two-terminal standard starter accurately timed to combine starts with long bulb life.
- For use where lights are turned on more than five times daily. Also in devices where bulb life expectancy is two years or less.

Fluorescent Starters - Condenser Type

| Rating W | Lamp Size | Catalog No. |
|----------|--|-------------|
| 15-20 | 18" (45.72cm) -15W or 24" (60.96cm)-20W | 45FS2 |
| 30-40 | 36" (91.44cm) -30W or 48" (121.92cm)-40W | 45FS4 |

R-6 Lampholders

TESTING & CODE COMPLIANCE

- UL Listed, Meet UL requirements
- CSA Certified, Meet CSA requirements, C22.2 no. 43

MATERIAL CHARACTERISTICS

Temperature Rating:
-40°C to 65°C