



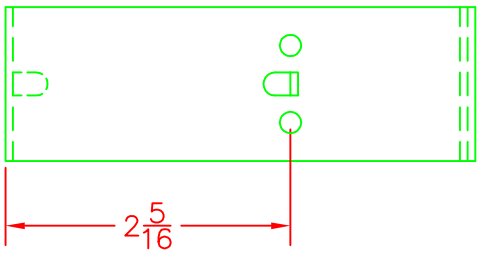
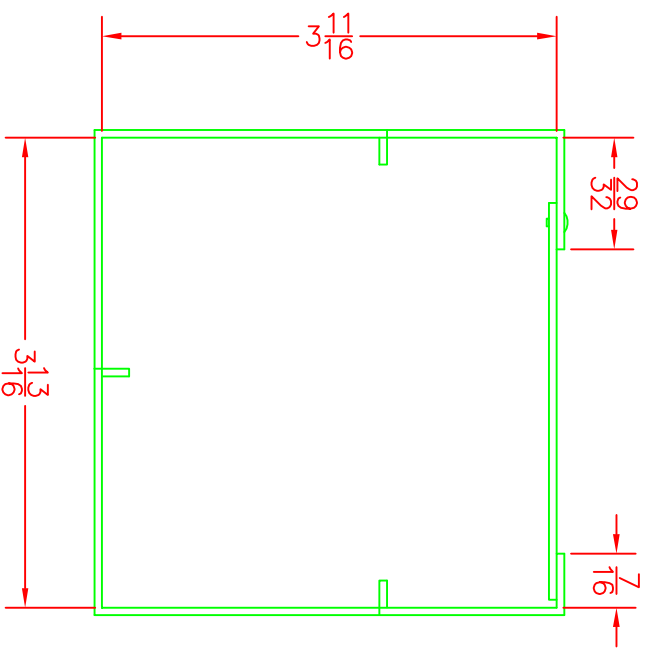
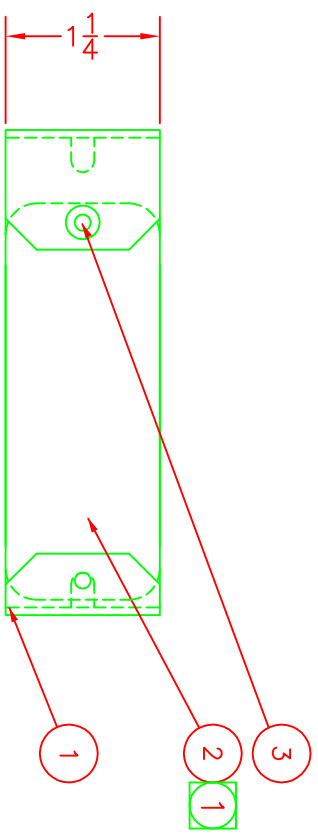
Catalog Number: 44GC
Item Description: WIREWAY ACCESSORY
UPC Code: 784572106741

Brand Name: Milbank
Type: Wireway Connector
Application: Wireway Accessory
Standard: UL Listed, Type 1
Cover Type: Screw Cover
Enclosure: Indoor Enclosure
Nominal Cross Section: 4x4
Material: Steel with Powder Coat Finish
Finish: ANSI 61 Gray
Knockouts: False



Utility requirements may vary. Always consult the serving utility for their requirements prior to ordering or installing this equipment. This product must always be installed by a licensed electrician. Installation of this equipment may require local electrical inspector approval.

NOI. QTY.	DESCRIPTION
1	STRAP #810963-S0
2	STRAP TOP #810964-S0
3	RIVET #700915-SS
4	.010 1002968 CARTON(NOT SHOWN)



NOTE:
 DIMPLE IN TOP STRAP MUST ENGAGE
 HOLE IN CONNECTOR STRAP

REV.	DATE	DESCRIPTION	BY	CHKD	APPD
A	3-28-95	#4 WAS BAG SCWS/SEMI S	E	11-9-98	PKR #2213
B	10-24-95	SHOW LANCES DWD/E	F	1/28/14	CHG QTY LINE 4
C	1-21-96	WIDTH WAS 3-7/8 DWD/P4	G	2/17/14	UPDATE DWG TO M2K
D	4-7-97	REMOVE SCREWS DWD/P4			

MATERIAL:	16 GA. GALVANIZED
FINISH:	
CATALOG NO:	CHG QTY OF LINE
TITLE:	CONNECTOR FOR 4x4 WIREWAY
CUSTOMER:	MILBANK STD.
DRAWING NO.:	1001697
MILBANK MFG. CO.	
KANSAS CITY, MO. KOKOMO, IN.	
DATE:	6-13-90



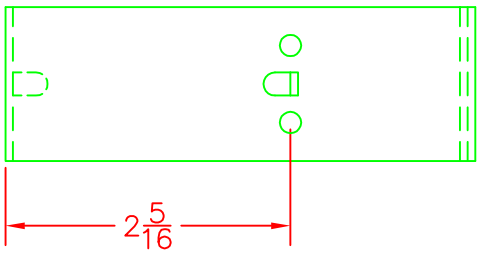
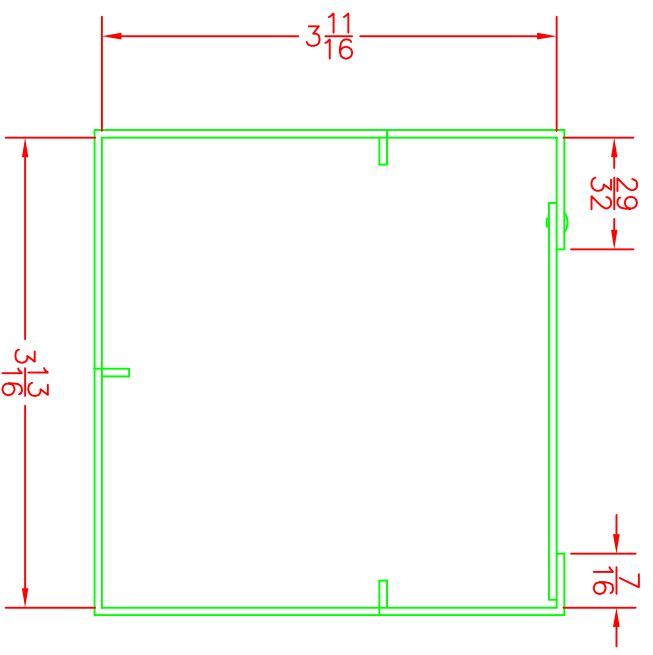
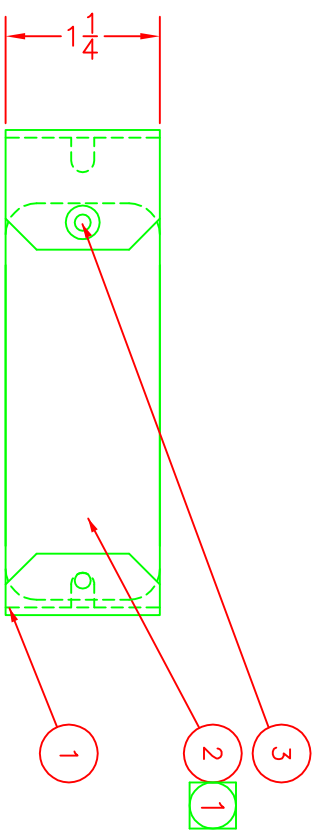
Catalog Number: 44GC
Item Description: WIREWAY ACCESSORY
UPC Code: 784572106741

Brand Name: Milbank
Type: Wireway Connector
Application: Wireway Accessory
Standard: UL Listed, Type 1
Cover Type: Screw Cover
Enclosure: Indoor Enclosure
Nominal Cross Section: 4x4
Material: Steel with Powder Coat Finish
Finish: ANSI 61 Gray
Knockouts: False



Utility requirements may vary. Always consult the serving utility for their requirements prior to ordering or installing this equipment. This product must always be installed by a licensed electrician. Installation of this equipment may require local electrical inspector approval.

NOI. QTY.	DESCRIPTION
1	STRAP #810963-S0
2	STRAP TOP #810964-S0
3	RIVET #700915--SS
4	.010 1002968 CARTON(NOT SHOWN)



NOTE:
 DIMPLE IN TOP STRAP MUST ENGAGE HOLE IN CONNECTOR STRAP

REVISIONS:

NO.	DATE	DESCRIPTION	BY	CHKD	APPD
A	3-28-95	#4 WAS BAG SCWS/SEMI S	E	11-9-98	PMR #2213
B	10-24-95	SHOW LANCES DWD/E	F	1/28/14	CHG QTY LINE 4
C	1-21-96	WIDTH WAS 3-7/8 DWD/P4	G	2/17/14	UPDATE DWG TO M2K
D	4-7-97	REMOVE SCREWS DWD/P4			

MATERIAL:	16 GA. GALVANIZED
FINISH:	
CATALOG NO:	CHG QTY OF LINE
TITLE:	CONNECTOR FOR 4x4 WIREWAY
CUSTOMER:	MILBANK STD.
DRAWING NO.:	1001697
MILBANK MFG. CO.	
DRAWN BY:	SEM
CHECKED BY:	SEM
APPROVED BY:	SEM
DATE:	6-13-90