



Catalog Number: 4436-GHC1-NK
Item Description: N1 HINGE CVR GUTTER NK
UPC Code: 784572106451

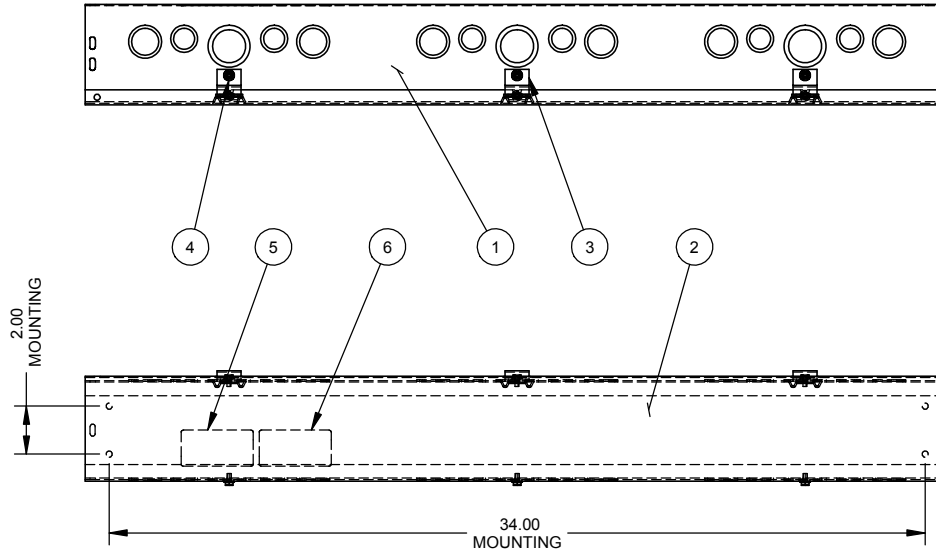
Brand Name: Milbank
Type: Lay In Wireway
Application: Wireway
Standard: UL Listed, Type 1
Cover Type: Hinge Cover
Enclosure: Indoor Enclosure
Nominal Cross Section: 4x4
Straight Section Length: 36
Material: Steel with Powder Coat Finish
Finish: ANSI 61 Gray
Knockouts: False



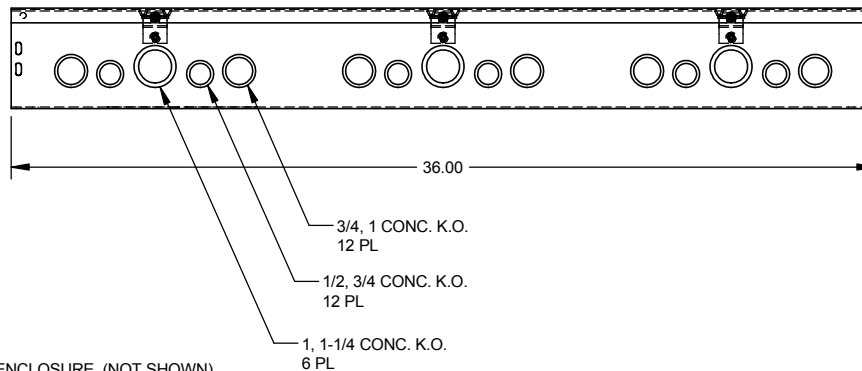
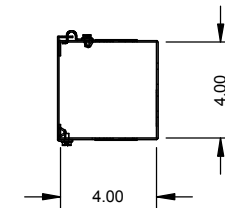
Utility requirements may vary. Always consult the serving utility for their requirements prior to ordering or installing this equipment. This product must always be installed by a licensed electrician. Installation of this equipment may require local electrical inspector approval.

CATALOG#	LABEL#
4436-GHC1-()	1002943
RC-4436-GHC1-()	1125051
SPH-443()	1132575

ITEM	QTY.	PART NUMBER	DESCRIPTION
1	1	(SEE CHART)	BACK
2	1	(SEE CHART)	TOP
3	3	1003198	HINGE
4	6	1001290	SCREW, 10-32 X 5/16
5	1	(SEE CHART)	UL LABEL, WIREWAY
6	1	1002900	LABEL, WIREWAY FITTING
7	2	1002880	BAG ASSY (NOT SHOWN)
8	1	1003085	PAD (NOT SHOWN)



SUFFIX	BACK #	COVER #
-SU	1105197	1105198
-SUC	1128805	1128780
-SO	1128806	1128781
-SUNK	1112935	1105198
-NK	1128807	1128781
-SUNKC	1128808	1128780


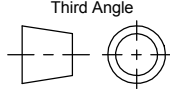


SUFFIX	FINISH
NONE	PAINTED
-NP	NOT PAINTED

NOTE:
1. PLACE BAG ASSY INSIDE ENCLOSURE. (NOT SHOWN)

NEMA DWG.: #353

REV.	DATE	DESCRIPTION	BY
G	12/13/13	CHGD QTY #4 WAS 5, #7 WAS2 (eECR0002639)	SEM
H	2/28/14	CHANGE QTY LINE 7 TO 2PCS (Eecr2736)	AJS
F	3/5/12	1002880 (2) WAS (3) (ECO #21997)	D.F.

Material:	16 GA. - SEE CHART	 <p>General Offices: Kansas City, MO</p>
Shear/ Die#:		
Finish:	SEE CHART	
Part Wt.:		
Tolerances: Unless Specified Otherwise X.X ±.1 X.XX ±.03 X.XXX ±.015 X" ±2"		Title: HINGE COVER WIREWAY 4 x 4 x 36, TYPE 1 NEMA ENCLOSURE Catalog No.: (SEE CHART) Customer: MILBANK STANDARD Drawing No.: 1004747
Scale:	NTS	Third Angle 
Checked By:		Date: 05/09/02
Drawn By:	DY	Sheet 1 of 1



Catalog Number: 4436-GHC1-NK
Item Description: N1 HINGE CVR GUTTER NK
UPC Code: 784572106451

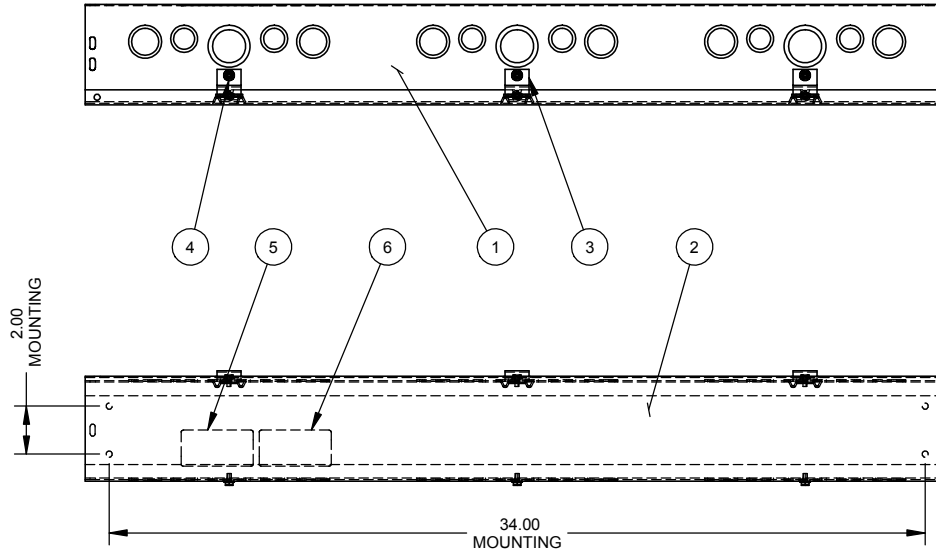
Brand Name: Milbank
Type: Lay In Wireway
Application: Wireway
Standard: UL Listed, Type 1
Cover Type: Hinge Cover
Enclosure: Indoor Enclosure
Nominal Cross Section: 4x4
Straight Section Length: 36
Material: Steel with Powder Coat Finish
Finish: ANSI 61 Gray
Knockouts: False



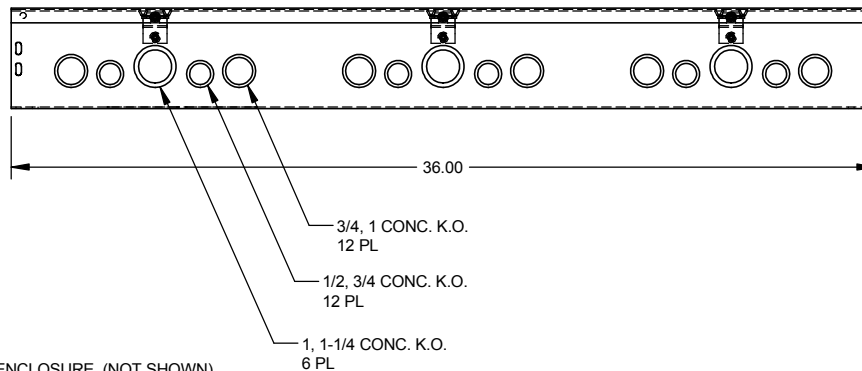
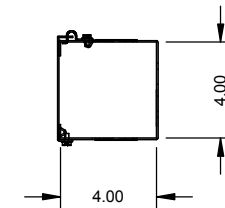
Utility requirements may vary. Always consult the serving utility for their requirements prior to ordering or installing this equipment. This product must always be installed by a licensed electrician. Installation of this equipment may require local electrical inspector approval.

CATALOG#	LABEL#
4436-GHC1-()	1002943
RC-4436-GHC1-()	1125051
SPH-443()	1132575

ITEM	QTY.	PART NUMBER	DESCRIPTION
1	1	(SEE CHART)	BACK
2	1	(SEE CHART)	TOP
3	3	1003198	HINGE
4	6	1001290	SCREW, 10-32 X 5/16
5	1	(SEE CHART)	UL LABEL, WIREWAY
6	1	1002900	LABEL, WIREWAY FITTING
7	2	1002880	BAG ASSY (NOT SHOWN)
8	1	1003085	PAD (NOT SHOWN)



SUFFIX	BACK #	COVER #
-SU	1105197	1105198
-SUC	1128805	1128780
-SO	1128806	1128781
-SUNK	1112935	1105198
-NK	1128807	1128781
-SUNKC	1128808	1128780




NOTE:
1. PLACE BAG ASSY INSIDE ENCLOSURE. (NOT SHOWN)

SUFFIX	FINISH
NONE	PAINTED
-NP	NOT PAINTED

NEMA DWG.: #353

REV.	DATE	DESCRIPTION	BY
G	12/13/13	CHGD QTY #4 WAS 5, #7 WAS2 (eECR0002639)	SEM
H	2/28/14	CHANGE QTY LINE 7 TO 2PCS (Eecr2736)	AJS
F	3/5/12	1002880 (2) WAS (3) (ECO #21997)	D.F.

Material:	16 GA. - SEE CHART	 General Offices: Kansas City, MO				
Shear/ Die#:						
Finish:	SEE CHART					
Part Wt.:						
Tolerances: Unless Specified Otherwise X.X ±.1 X.XX ±.03 X.XXX ±.015 X° ±2°		Title: HINGE COVER WIREWAY 4 x 4 x 36, TYPE 1 NEMA ENCLOSURE Catalog No.: (SEE CHART) Customer: MILBANK STANDARD Drawing No.: 1004747				
Scale:	NTS	Checked By:	Date:	05/09/02	Sheet	1 of 1
Drawn By:	DY	Approved By:				