



Catalog Number: 4412-GSC3R-NK  
Item Description: N3R SCREW CVR GUTTER NK  
UPC Code: 784572106307

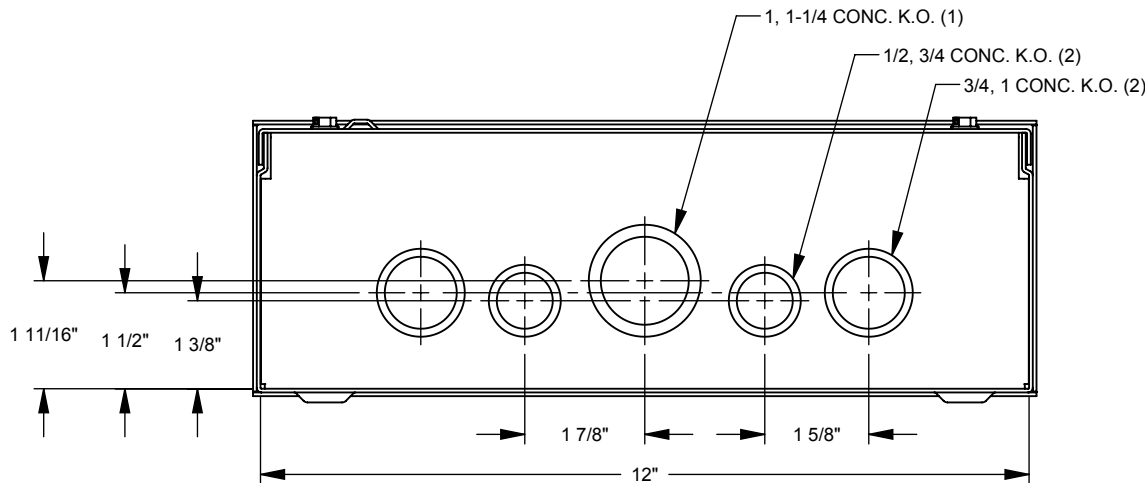
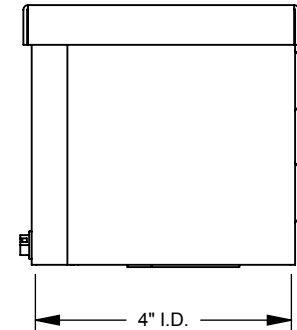
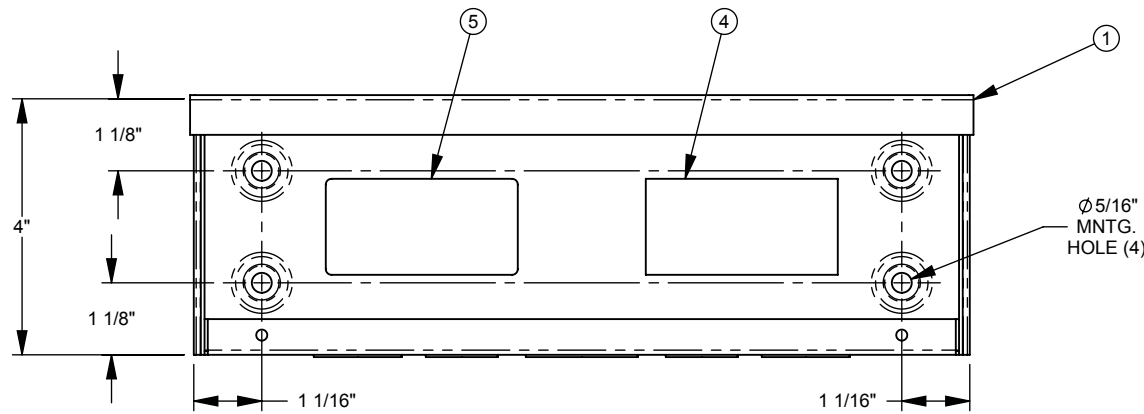
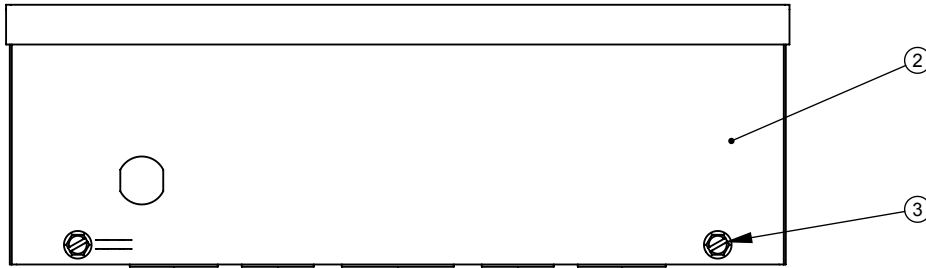
Brand Name: Milbank  
Type: Wiring Trough  
Special Features: Key Locking Cylinder Latch Provision,  
Sealing Eye Lance  
Application: Wireway  
Standard: UL Listed, Type 3R  
Cover Type: Screw Cover  
Enclosure: Outdoor Enclosure  
Nominal Cross Section: 4x4  
Straight Section Length: 12  
Material: Steel with Powder Coat Finish  
Finish: ANSI 61 Gray  
Knockouts: False




*Utility requirements may vary. Always consult the serving utility for their requirements prior to ordering or installing this equipment. This product must always be installed by a licensed electrician. Installation of this equipment may require local electrical inspector approval.*

CAT. NO.	U/L LABEL
4412-GSC3R	1002943
RC-4412-GSC3R	1125051
SPRSCG-4412	1132575

ITEM	QTY.	PART NUMBER	DESCRIPTION
1	1	1152999	BACK WELDMENT
2	1	1011015	FRONT
3	2	1001290	SCREW, 10-32 X 5/16
4	1	1002898	LABEL, RATING 4x4 GSC3R
5	1	(SEE CHART)	UL LABEL, WIREWAY



OLD DRAWING NO.: 267

Material:	16 GA. GALV. STEEL	 <p>General Offices: Kansas City, MO</p>	
Shear/ Die#:			
Finish:	MILBANK LIGHT GRAY	Title:	SCREW COVER WIREWAY NEMA TYPE 3R
Part Wt.:		Catalog No.:	(SEE CHART)
Tolerances: Unless Specified Otherwise X.X ±.1 X.XX ±.03 X.XXX ±.015 X* ±2*		Customer:	
Scale: NTS Drawn By: D.F.		Checked By: Approved By:	Drawing No.: 1001722 Date: 5/5/11
		Sheet	1 of 1

REV.	DATE	DESCRIPTION	BY
A3	5/5/11	REDRAW INTO SOLIDWORKS; UPDATE K.O. PATTERN (ECO #20576)	D.F.
A4	6/28/11	DRAWING NUMBER WAS 267 (ECO #20896)	D.F.



Catalog Number: 4412-GSC3R-NK  
Item Description: N3R SCREW CVR GUTTER NK  
UPC Code: 784572106307

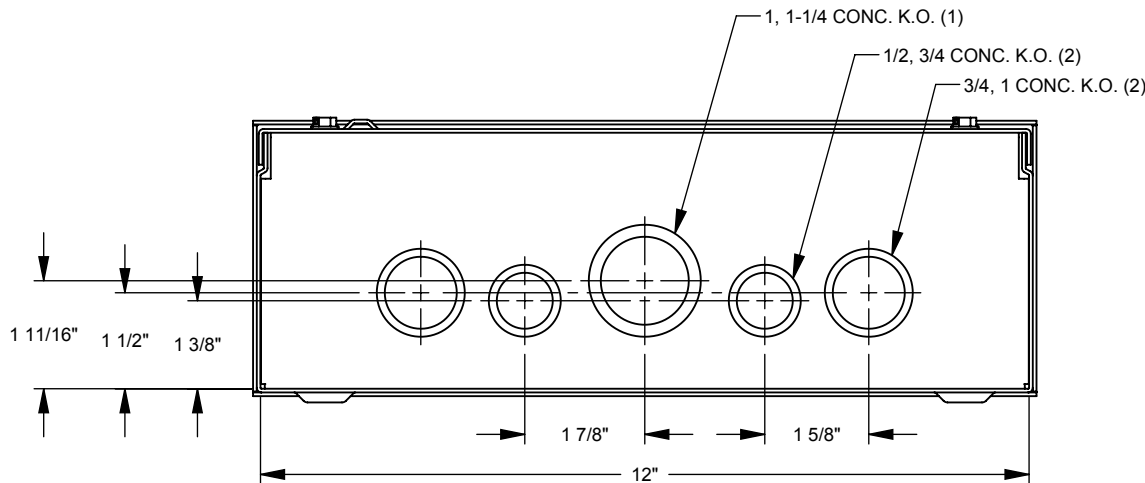
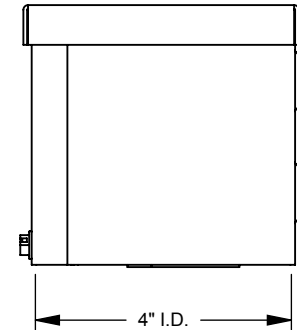
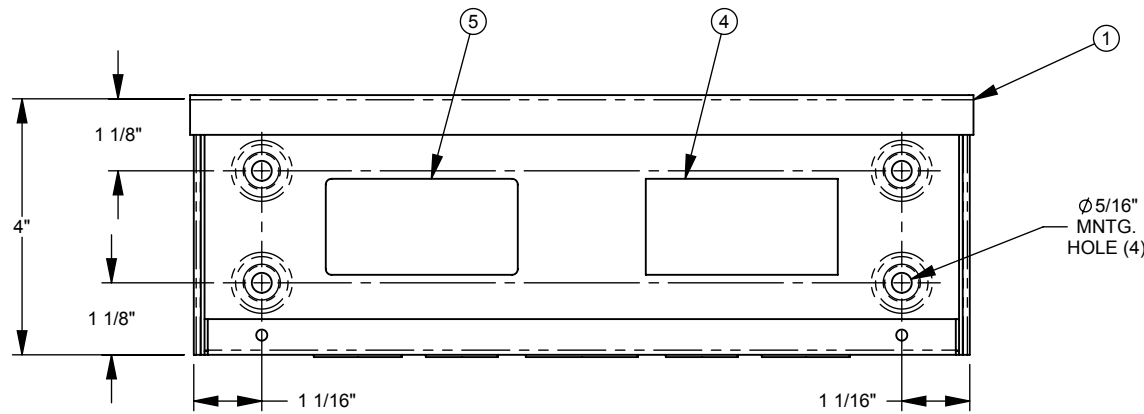
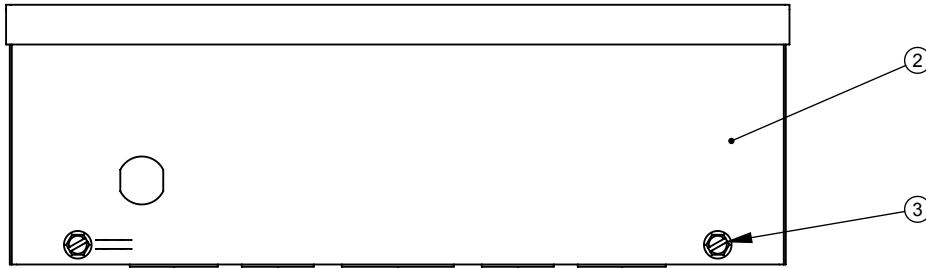
Brand Name: Milbank  
Type: Wiring Trough  
Special Features: Key Locking Cylinder Latch Provision,  
Sealing Eye Lance  
Application: Wireway  
Standard: UL Listed, Type 3R  
Cover Type: Screw Cover  
Enclosure: Outdoor Enclosure  
Nominal Cross Section: 4x4  
Straight Section Length: 12  
Material: Steel with Powder Coat Finish  
Finish: ANSI 61 Gray  
Knockouts: False




*Utility requirements may vary. Always consult the serving utility for their requirements prior to ordering or installing this equipment. This product must always be installed by a licensed electrician. Installation of this equipment may require local electrical inspector approval.*

CAT. NO.	U/L LABEL
4412-GSC3R	1002943
RC-4412-GSC3R	1125051
SPRSCG-4412	1132575

ITEM	QTY.	PART NUMBER	DESCRIPTION
1	1	1152999	BACK WELDMENT
2	1	1011015	FRONT
3	2	1001290	SCREW, 10-32 X 5/16
4	1	1002898	LABEL, RATING 4x4 GSC3R
5	1	(SEE CHART)	UL LABEL, WIREWAY



OLD DRAWING NO.: 267

Material:	16 GA. GALV. STEEL	 <p>General Offices: Kansas City, MO</p>	
Shear/ Die#:			
Finish:	MILBANK LIGHT GRAY	Title:	SCREW COVER WIREWAY NEMA TYPE 3R
Part Wt.:		Catalog No.:	(SEE CHART)
Tolerances: Unless Specified Otherwise X.X ±.1 X.XX ±.03 X.XXX ±.015 X* ±2*		Customer:	
Scale: NTS Drawn By: D.F.		Checked By: Approved By:	Drawing No.: 1001722 Date: 5/5/11
		Sheet	1 of 1

REV.	DATE	DESCRIPTION	BY
A3	5/5/11	REDRAW INTO SOLIDWORKS; UPDATE K.O. PATTERN (ECO #20576)	D.F.
A4	6/28/11	DRAWING NUMBER WAS 267 (ECO #20896)	D.F.