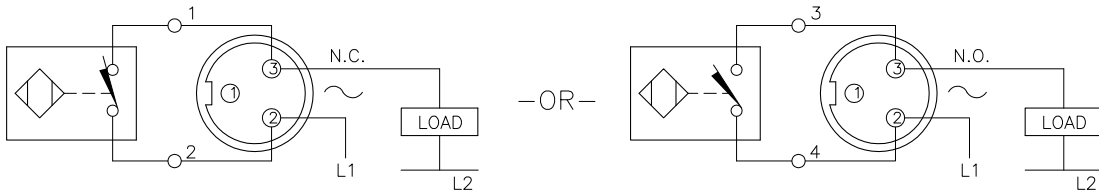


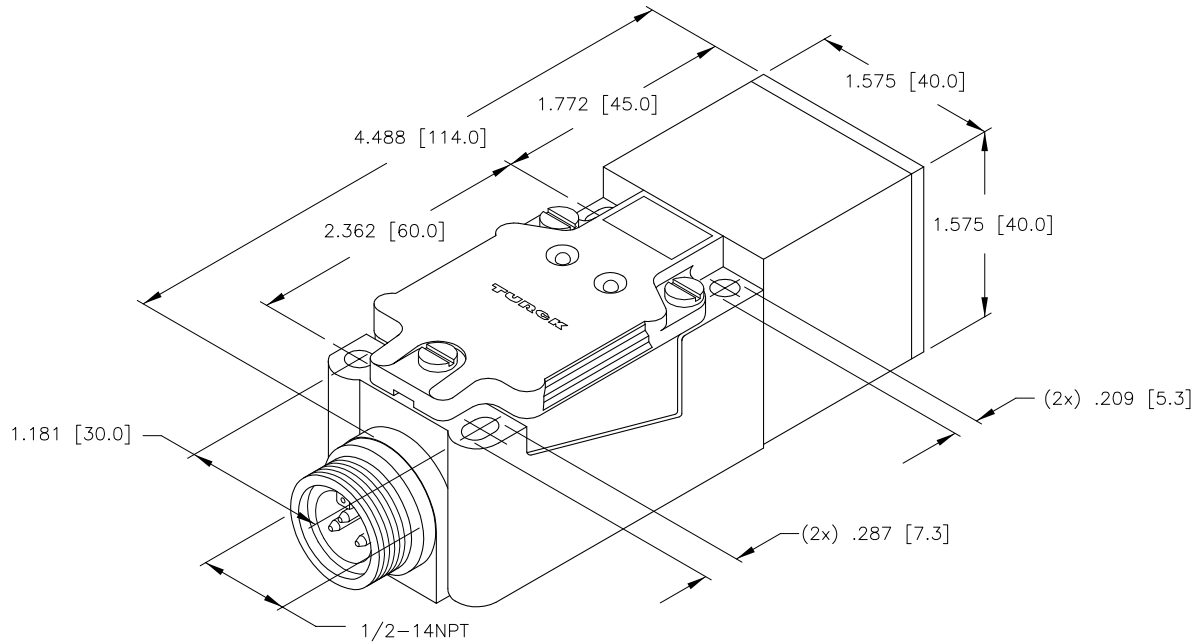
WIRING DIAGRAMS



OUTPUT: FDZ30X2

OUTPUT: FDZ30X2

SHORT-CIRCUIT AND OVERLOAD PROTECTED



SPECIFICATIONS

|   |   |
|---|---|
| OPERATING VOLTAGE                       | 20-250 VAC/10-300 VDC   |
| LINE FREQUENCY                          | 40-60 Hz  |
| DIFFERENTIAL TRAVEL (HYSTERESIS)        | 3-15% (5% TYPICAL)  |
| VOLTAGE DROP ACROSS CONDUCTING SENSOR   | ≤ 6.0 V at 400mA  |
| OUTPUT FUNCTION                         | CONNECTION PROGRAMMABLE<br>NORMALLY OPEN OR NORMALLY CLOSED                             |
| SHORT-CIRCUIT PROTECTED                 | YES   |
| TRIGGER CURRENT FOR OVERLOAD PROTECTION | ≥ 440 mA  |
| CONTINUOUS LOAD CURRENT                 | ≤ 400 mA AC (MAX.)  |
| CONTINUOUS LOAD CURRENT                 | ≤ 300 mA DC (MAX.)  |
| OFF-STATE (LEAKAGE) CURRENT             | ≤ 1.7 mA  |
| MINIMUM LOAD CURRENT                    | ≥ 3.0 mA  |
| INRUSH CURRENT                          | ≤ 4.0 A (≤ 20ms/5 Hz)   |
| TIME DELAY BEFORE AVAILABILITY          | ≤ 80 ms   |
| POWER-ON EFFECT PROTECTION              | INCORPORATED  |
| PROTECTION AGAINST TRANSIENTS           | 5 kV, 10ms, 10 kΩ   |
| OPERATING TEMPERATURE                   | -25°C to +70°C (-13°F to +158°F)  |
| ENCLOSURE                               | MEETS NEMA 1, 3, 4, 6, 13 AND IEC IP67  |
| SHOCK                                   | 30 g, 11 ms   |
| VIBRATION                               | 55 Hz, 1 mm AMPLITUDE<br>(IN ALL 3 PLANES)  |
| LED FUNCTION                            | GREEN = POWER ON<br>GREEN FLASHING = SHORT-CIRCUIT WARNING<br>YELLOW = OUTPUT ENERGIZED |
| SENSING RANGE                           | 40 mm = 1.575" (NOMINAL)  |
| SWITCHING FREQUENCY                     | 60 Hz   |
| MIN. REPEAT ACCURACY                    | ≤ 2%  |
| EMBEDDABLE (SHIELDED)                   | NO  |

SOURCE DRAWING - FOR REFERENCE ONLY

NOTES:

1. SENSING HEAD TURNS TO ACCOMMODATE 9 DIFFERENT SENSING POSITIONS.

|   |   |   |                             |   |              |
|---|---|---|-----------------------------|---|--------------|
| RELATED DOCUMENTS<br>1.<br>2.<br>3.<br>4. | 3RD ANGLE PROJECTION<br>  | THIS DRAWING IS PROPERTY OF TURCK INC. USE OF THIS DOCUMENT WITHOUT WRITTEN PERMISSION IS PROHIBITED. |                             | 3000 CAMPUS DRIVE<br>MINNEAPOLIS, MN 55441<br>1-800-544-7769<br>(763) 553-7300<br>(763) 553-0708 fax<br>turck.com |              |
|   | MATERIAL<br>PBT-GF30-VO<br>PLASTIC                              | DRFT RDS<br>DSGN EH   | DATE 03/16/05<br>SCALE NONE | DESCRIPTION<br>NI40U-CP40-FDZ30X2-B1131   |              |
| FINISH                                    | ALL DIMENSIONS DISPLAYED ON THIS DRAWING ARE FOR REFERENCE ONLY | UNIT OF MEASUREMENT<br><b>INCH [ MILLIMETER ]</b>   |                             | IDENTIFICATION NO.<br>M4280890  | REV<br>A     |
| CONTACT TURCK FOR MORE INFORMATION        |   | DO NOT SCALE THIS DRAWING   |                             | FILE: M4280890  | SHEET 1 OF 1 |

|     |                 |     |          |         |
|-----|-----------------|-----|----------|---------|
| A   | DRAWING RELEASE | RDS | 03/17/05 |         |
| REV | DESCRIPTION     | BY  | DATE     | ECO NO. |