



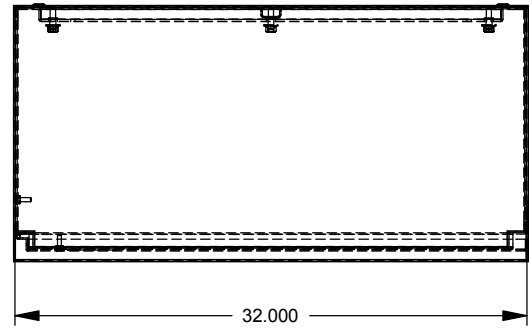
Catalog Number: 403214-TC3R-SP1
Item Description: N3R TELEPHONE CAB SPC
UPC Code: 784572517684

Brand Name: Milbank
Type: Telephone Cabinet
Special Features: Pad Locking Draw Latch Installed, Steel Back Panel Installed, Continuous Hinge
Application: Outdoor Telephone Cabinet
Standard: UL Listed, Type 3R
Number Of Outlet: 0
Door: Single Door
Material: Steel with Powder Coat Finish
Cable Entry: No Knockouts
Color: ANSI 61 Gray
Mounting: Wall Mount

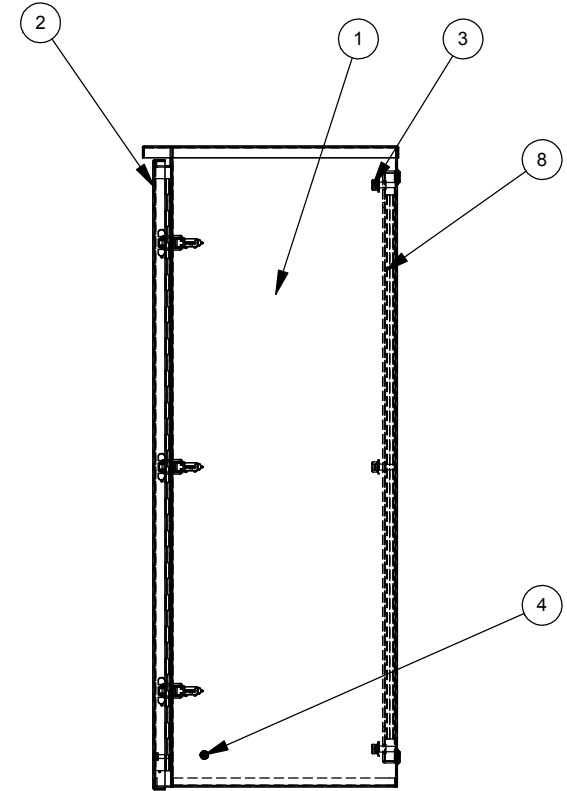
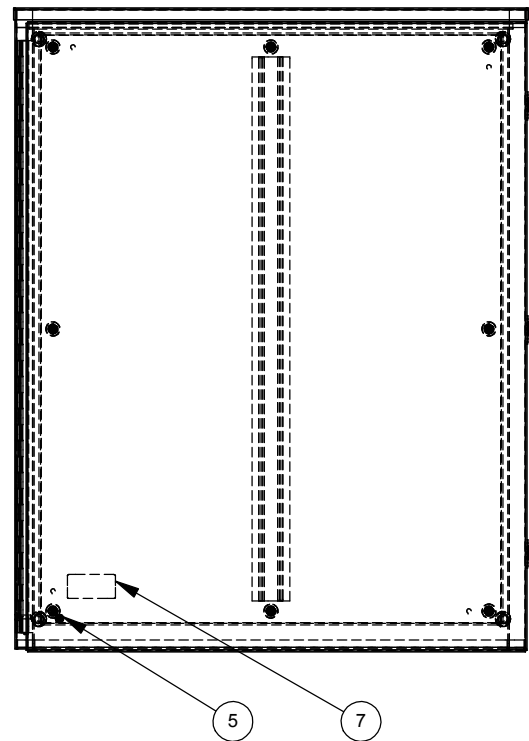
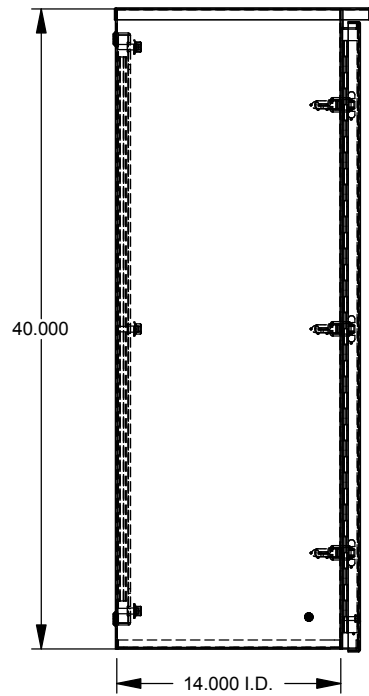



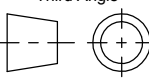
Utility requirements may vary. Always consult the serving utility for their requirements prior to ordering or installing this equipment. This product must always be installed by a licensed electrician. Installation of this equipment may require local electrical inspector approval.

ROI #	CATALOG #	BACK PANEL
1175366	403214-TC3R-WB	1175833
1135494	403214-TC3R-SP1	1178023



ITEM NO.	PART NUMBER	DESCRIPTION	QTY.
1	1175828	BACK WELDMENT	1
2	1175866	FRONT WELDMENT	1
3	1001273	NUT, 3/8-16 HEX W/BELL	8
4	1122966	PEM STUD 1/4-20 x 1, SS	2
5	1047116	NUT, HEX 1/4-20 W/SEMS	2
6	1175882	CARTON (NOT SHOWN)	1
7	1003115	LABEL (UL)	1
8	SEE CHART	BACK PANEL	1



Material:	14 GA. GALV. STEEL		 KANSAS CITY, MO USA
Shear/Die No.:			
Finish:	MILBANK LIGHT GRAY		Title: 40 X 32 X 14 TYPE 3R TELEPHONE CABINET
Part Wt.:	LBS. EA.		
Paint Qty.:	GRAMS		
Tolerances:	Third Angle		Catalog No.: 403214-TC3R(-)
Unless Specified Otherwise			
X.X	±.1		Customer:
X.XX	±.03		
X.XXX	±.015		Drawing No.: 1175366
X"	±2"		
Scale:	NTS	Checked By:	Date: 03/17/15
Drawn By:	AS	Approved By:	

REV.	DATE	DESCRIPTION	ECO No.	BY
**	02/26/15	FIRST RELEASE	30065	AJS



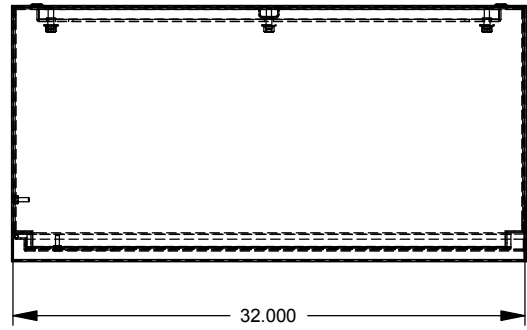
Catalog Number: 403214-TC3R-SP1
Item Description: N3R TELEPHONE CAB SPC
UPC Code: 784572517684

Brand Name: Milbank
Type: Telephone Cabinet
Special Features: Pad Locking Draw Latch Installed, Steel Back Panel Installed, Continuous Hinge
Application: Outdoor Telephone Cabinet
Standard: UL Listed, Type 3R
Number Of Outlet: 0
Door: Single Door
Material: Steel with Powder Coat Finish
Cable Entry: No Knockouts
Color: ANSI 61 Gray
Mounting: Wall Mount

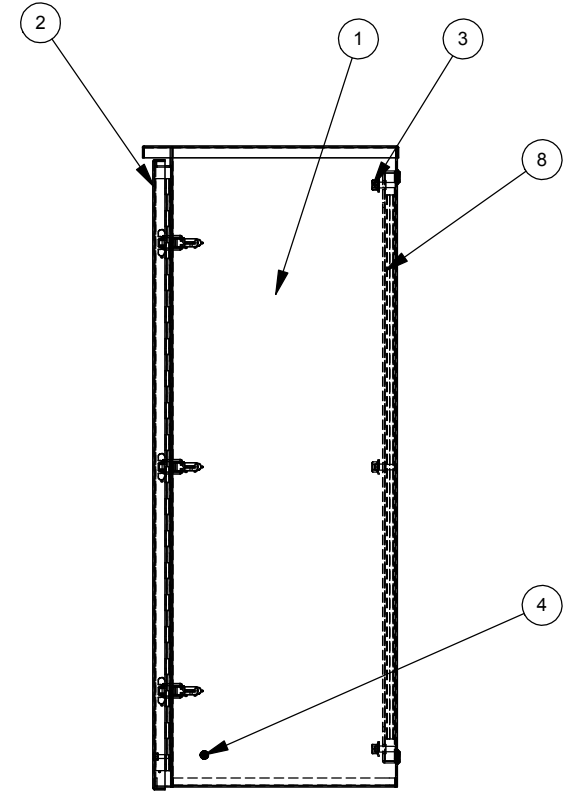
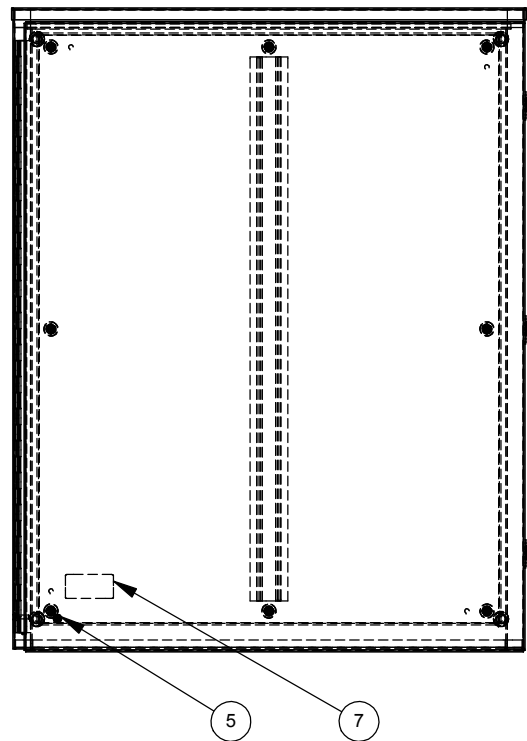
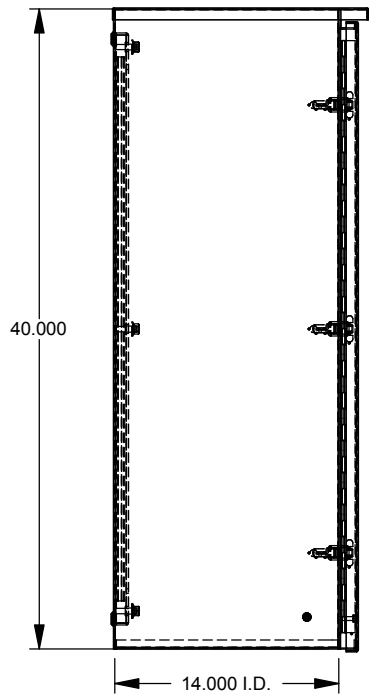



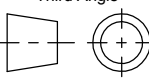
Utility requirements may vary. Always consult the serving utility for their requirements prior to ordering or installing this equipment. This product must always be installed by a licensed electrician. Installation of this equipment may require local electrical inspector approval.

ROI #	CATALOG #	BACK PANEL
1175366	403214-TC3R-WB	1175833
1135494	403214-TC3R-SP1	1178023



ITEM NO.	PART NUMBER	DESCRIPTION	QTY.
1	1175828	BACK WELDMENT	1
2	1175866	FRONT WELDMENT	1
3	1001273	NUT, 3/8-16 HEX W/BELL	8
4	1122966	PEM STUD 1/4-20 x 1, SS	2
5	1047116	NUT, HEX 1/4-20 W/SEMS	2
6	1175882	CARTON (NOT SHOWN)	1
7	1003115	LABEL (UL)	1
8	SEE CHART	BACK PANEL	1



Material:	14 GA. GALV. STEEL		 KANSAS CITY, MO USA
Shear/Die No.:			
Finish:	MILBANK LIGHT GRAY		Title: 40 X 32 X 14 TYPE 3R TELEPHONE CABINET
Part Wt.:	LBS. EA.		
Paint Qty.:	GRAMS		Catalog No.: 403214-TC3R(-)
Tolerances: Unless Specified Otherwise XX ±.1 X.XX ±.03 X.XXX ±.015 X* ±2*			
Third Angle 		Drawing No.: 1175366	
Scale:	NTS		Checked By:
Drawn By:	AS	Approved By:	Sheet: 1 of 1

REV.	DATE	DESCRIPTION	ECO No.	BY
**	02/26/15	FIRST RELEASE	30065	AJS