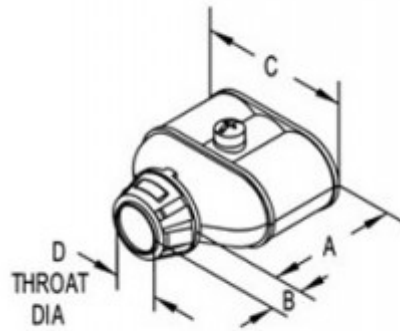


3/8" Duplex E-Z LOCK® Snap-In Connector (Non-Insulated)

Recommended cable types 14/2 to 10/2 with cable range O.D. Steel or Aluminum .38 to .59 AC/MC/MCIA and Steel or Aluminum 3/8" FMC. Simply snap cables into connector and snap assembly into electrical box. No tools required! Integral internal spring steel locking tabs fasten cable or conduit. External spring steel locking tabs secures connector to electrical box. Suitable for maintaining grounding continuity when installed in accordance with the NEC.

[Download Photo](#)[Download Drawing](#)

Product details

Catalog Number:	3838SP
UPC Number:	78174770690
Primary Materials:	Zinc Die Cast
Finish:	Ball Burnished, Mirror Smooth
Trade Size:	3/8"
Unit Quantity:	20
Standard Package Quantity:	200

Dimensions

Trade Size:	3/8"
Dimensions A:	1.63
Dimensions B:	0.43
Dimensions C:	1.88
Dimensions D:	0.53

Certifications & Codes

Federal Specification Number: A-A-50552**UL File Number:** E20534**UNSPSC:** 39121438**Nema Standard:** FB-1**UL Standard:** UL-514B