



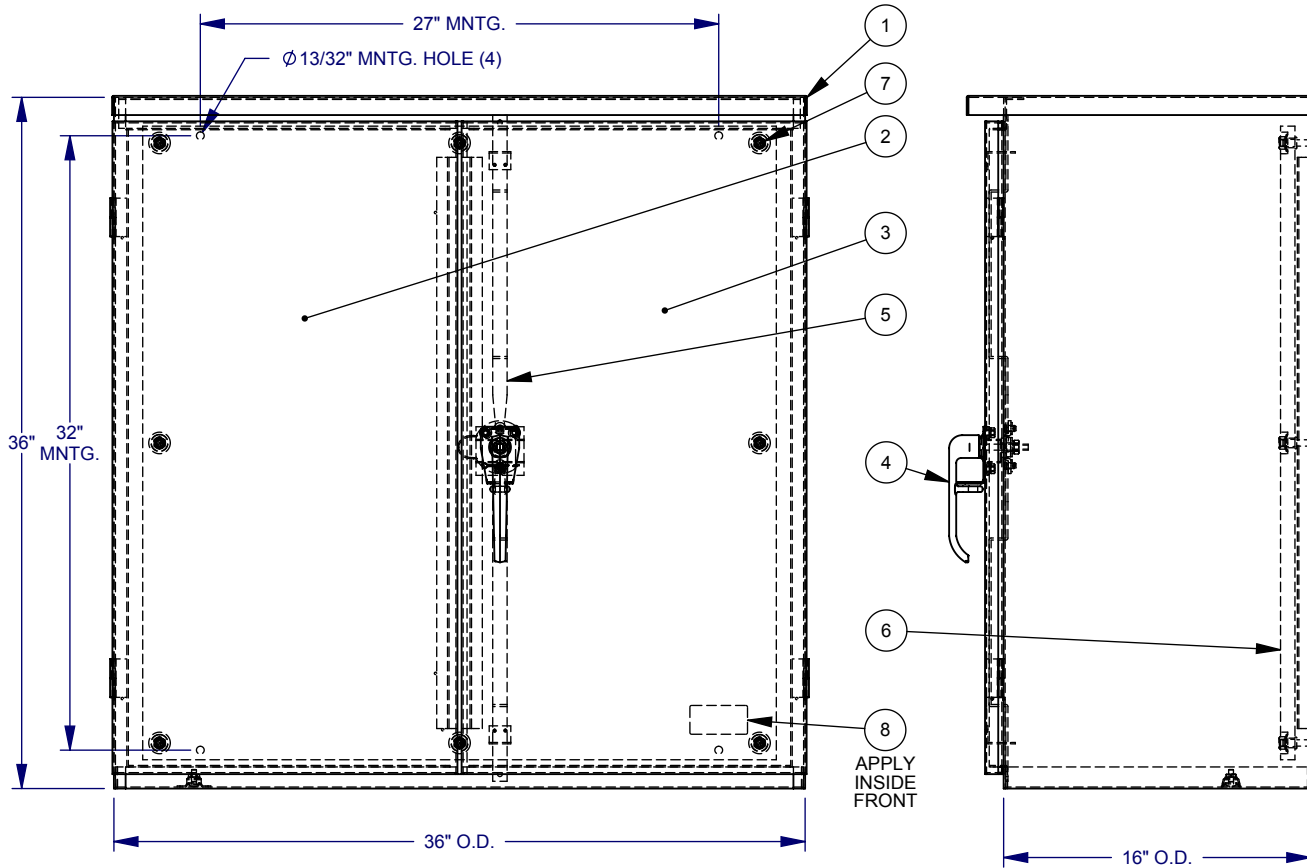
Catalog Number: 363616-CT3R-WB  
Item Description: CT3R HNG PADLCK ENCL SPC  
UPC Code: 784572258976

Brand Name: Milbank  
Type: Hinge Cover  
Special Features: Double Door, Wood Back Panel Included  
Application: Current Transformer Enclosure  
Standard: UL Listed  
Material: Steel with Powder Coat Finish  
Cable Entry: No Knockouts  
Mounting: Pad Mount, Wall Mount  
NEMA Rating: Type 3R



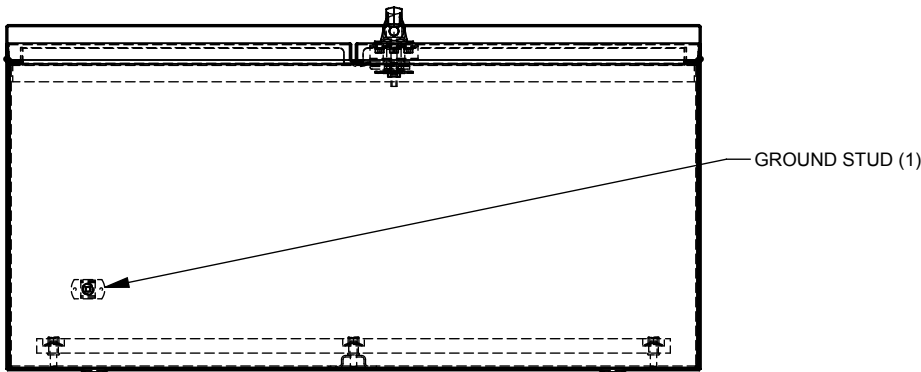
*Utility requirements may vary. Always consult the serving utility for their requirements prior to ordering or installing this equipment. This product must always be installed by a licensed electrician. Installation of this equipment may require local electrical inspector approval.*

| CATALOG NO.        | LABEL NO. |
|--------------------|-----------|
| 363616-CT3R-( )    | 1003115   |
| RC-363616-CT3R-( ) | 1125418   |



| ITEM | QTY. | PART NUMBER | DESCRIPTION               |
|------|------|-------------|---------------------------|
| 1    | 1    | 1157252     | BACK WELDMENT             |
| 2    | 1    | 1004553     | FRONT WELDMENT, LEFT      |
| 3    | 1    | 1004554     | FRONT WELDMENT, RIGHT     |
| 4    | 1    | 1004575     | ASSY, 3PT LATCH, PADLCKBL |
| 5    | 2    | 1002051     | LATCH SLIDE               |
| 6    | S/C  | 1002359     | PANEL, WOOD               |
| 7    | S/C  | 1001273     | NUT, 3/8-16 HEX W/BELL    |
| 8    | 1    | (SEE CHART) | LABEL (UL)                |
| 9    | S/C  | 1002169     | BAG ASSY (NOT SHOWN)      |
| 10   | 1    | 1000889     | CARTON (NOT SHOWN)        |


| SUFFIX | 1002359 QTY. | 1001273 QTY. | 1002169 QTY. |
|--------|--------------|--------------|--------------|
| NONE   | N/A          | N/A          | 2            |
| -WB    | 1            | 8            | N/A          |



NOTES:

1.) BAG ASSY TO BE SHIPPED INSIDE OF ENCLOSURE.

| REV. | DATE    | DESCRIPTION                                | BY   |
|------|---------|--|------|
| D2   | 4/26/13 | UPDATE FORMAT; CHART VERSIONS (ECO #23861) | D.F. |

|   |   |   |
|---|---|---|
| Material:                                 | 14 GA. GALV. STEEL                            |  <p>General Offices: Kansas City, MO</p> |
| Shear/ Die#:                              |   |   |
| Finish:                                   | MILBANK LIGHT GRAY                            | Title:  |
| Part Wt.:                                 |   | 36 x 36 x 16, 2 DOOR<br>TYPE 3R, FREE STANDING  |
| Tolerances:<br>Unless Specified Otherwise | X.X ±.1<br>X.XX ±.03<br>X.XXX ±.015<br>X* ±2* | Third Angle   |
| Scale:                                    | NTS   | Checked By:   |
| Drawn By:                                 | D.F.  | Approved By:  |
| Catalog No.:                              |   | SEE CHART   |
| Customer:                                 |   | MILBANK STANDARD  |
| Drawing No.:                              |   | 1006579   |
| Date:                                     | 4/26/13                                       | Sheet 1 of 1  |



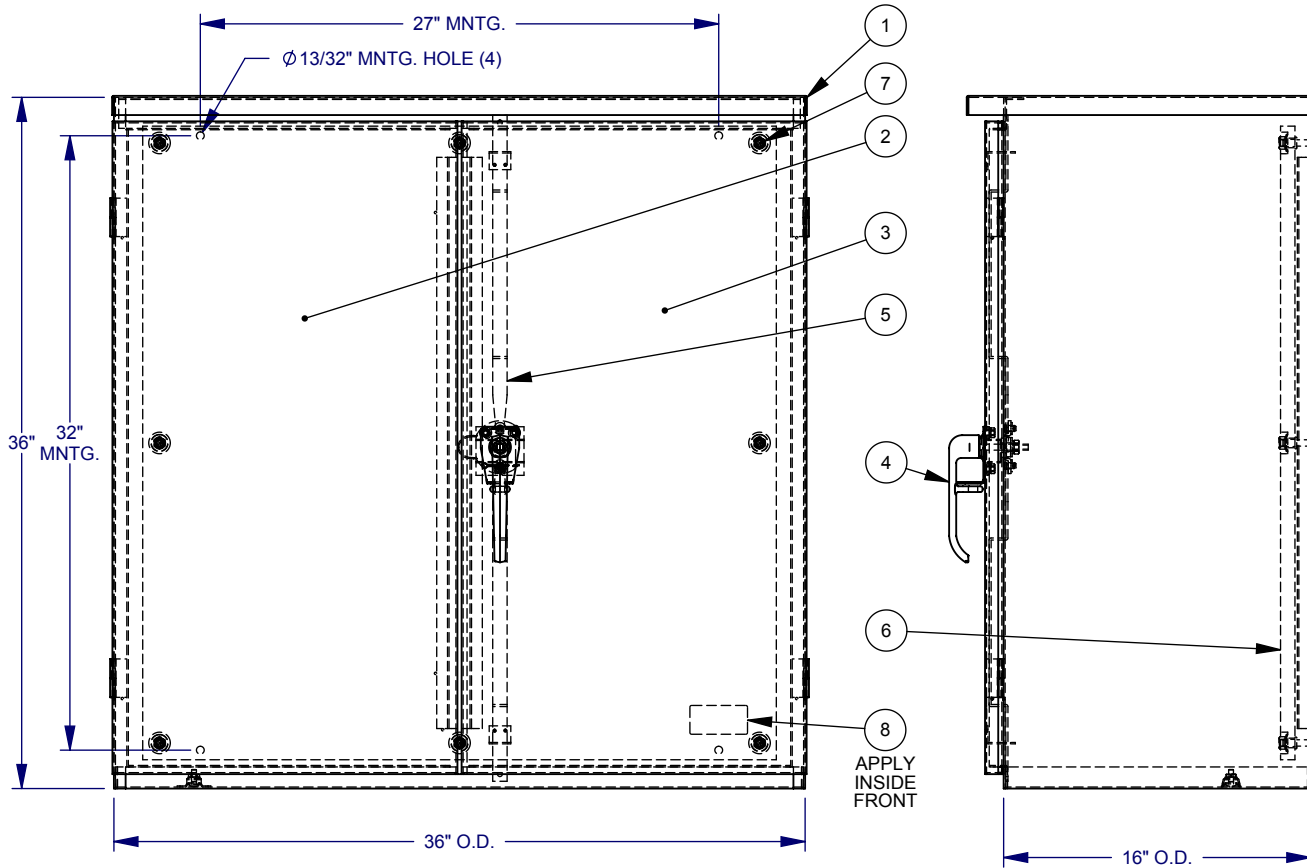
Catalog Number: 363616-CT3R-WB  
Item Description: CT3R HNG PADLCK ENCL SPC  
UPC Code: 784572258976

Brand Name: Milbank  
Type: Hinge Cover  
Special Features: Double Door, Wood Back Panel Included  
Application: Current Transformer Enclosure  
Standard: UL Listed  
Material: Steel with Powder Coat Finish  
Cable Entry: No Knockouts  
Mounting: Pad Mount, Wall Mount  
NEMA Rating: Type 3R



*Utility requirements may vary. Always consult the serving utility for their requirements prior to ordering or installing this equipment. This product must always be installed by a licensed electrician. Installation of this equipment may require local electrical inspector approval.*

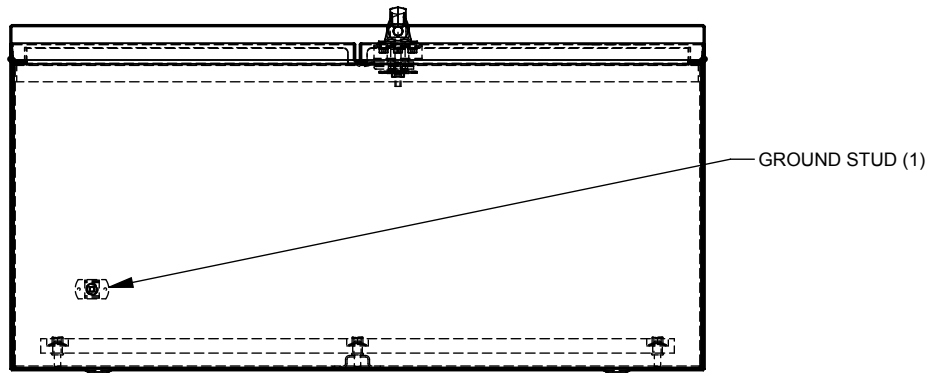
| CATALOG NO.        | LABEL NO. |
|--------------------|-----------|
| 363616-CT3R-( )    | 1003115   |
| RC-363616-CT3R-( ) | 1125418   |



| ITEM | QTY. | PART NUMBER | DESCRIPTION               |
|------|------|-------------|---------------------------|
| 1    | 1    | 1157252     | BACK WELDMENT             |
| 2    | 1    | 1004553     | FRONT WELDMENT, LEFT      |
| 3    | 1    | 1004554     | FRONT WELDMENT, RIGHT     |
| 4    | 1    | 1004575     | ASSY, 3PT LATCH, PADLCKBL |
| 5    | 2    | 1002051     | LATCH SLIDE               |
| 6    | S/C  | 1002359     | PANEL, WOOD               |
| 7    | S/C  | 1001273     | NUT, 3/8-16 HEX W/BELL    |
| 8    | 1    | (SEE CHART) | LABEL (UL)                |
| 9    | S/C  | 1002169     | BAG ASSY (NOT SHOWN)      |
| 10   | 1    | 1000889     | CARTON (NOT SHOWN)        |


| SUFFIX | 1002359 QTY. | 1001273 QTY. | 1002169 QTY. |
|--------|--------------|--------------|--------------|
| NONE   | N/A          | N/A          | 2            |
| -WB    | 1            | 8            | N/A          |

APPLY INSIDE FRONT



NOTES:

1.) BAG ASSY TO BE SHIPPED INSIDE OF ENCLOSURE.

|  |                    |   |
|--|--------------------|---|
| Material:  | 14 GA. GALV. STEEL |  <p>General Offices: Kansas City, MO</p> |
| Shear/ Die#:   |                    |   |
| Finish:  | MILBANK LIGHT GRAY | Title: 36 x 36 x 16, 2 DOOR TYPE 3R, FREE STANDING  |
| Part Wt.:  |                    | Catalog No.: SEE CHART  |
| Tolerances:<br>Unless Specified Otherwise<br>X.X ±.1<br>X.XX ±.03<br>X.XXX ±.015<br>X* ±2* | Third Angle        | Customer: MILBANK STANDARD  |
| Scale: NTS   | Checked By:        | Drawing No.: 1006579  |
| Drawn By: D.F.   | Approved By:       | Date: 4/26/13 Sheet 1 of 1  |

| REV. | DATE    | DESCRIPTION                                | BY   |
|------|---------|--|------|
| D2   | 4/26/13 | UPDATE FORMAT; CHART VERSIONS (ECO #23861) | D.F. |