



Catalog Number: 303612-TC3R
Item Description: N3R TELEPHONE CAB
UPC Code: 784572231245

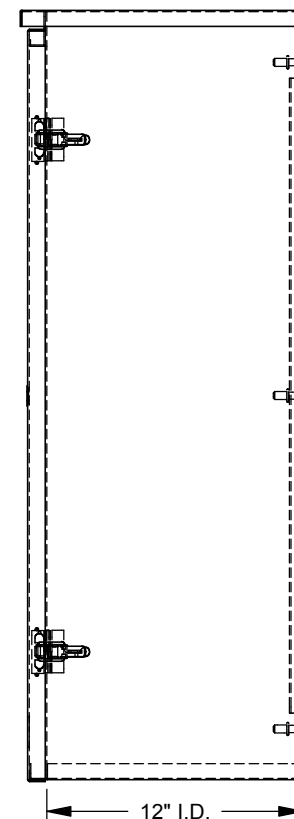
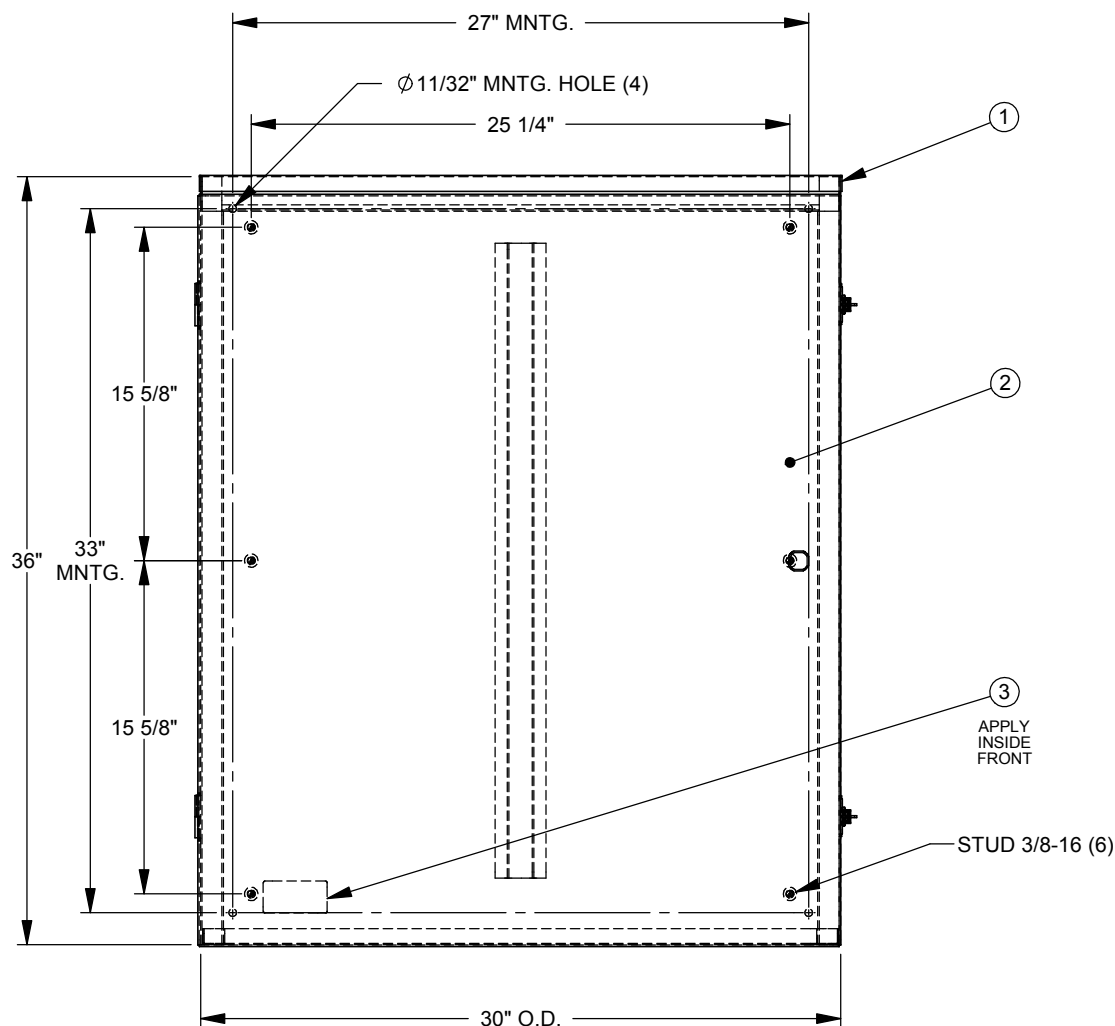
Brand Name: Milbank
Type: Telephone Cabinet
Special Features: Pad Lockable Draw Latch Installed,
Continuous Hinge
Application: Outdoor Telephone Cabinet
Standard: UL Listed, Type 3R
Number Of Outlet: 0
Door: Single Door
Material: Steel with Powder Coat Finish
Cable Entry: No Knockouts
Color: ANSI 61 Gray
Mounting: Wall Mount




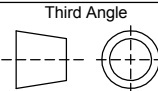
Utility requirements may vary. Always consult the serving utility for their requirements prior to ordering or installing this equipment. This product must always be installed by a licensed electrician. Installation of this equipment may require local electrical inspector approval.

| | |
|----------------|-----------|
| CATALOG NO. | LABEL NO. |
| 303612-TC3R | 1003115 |
| RC-303612-TC3R | 1125418 |

| ITEM | QTY. | PART NUMBER | DESCRIPTION |
|------|------|-------------|----------------------|
| 1 | 1 | 1153637 | BACK WELDMENT |
| 2 | 1 | 1153636 | |
| 3 | 1 | (SEE CHART) | LABEL (UL) |
| 4 | 2 | 1002169 | BAG ASSY (NOT SHOWN) |
| 5 | 1 | 1002978 | CARTON (NOT SHOWN) |



NOTES:
1.) PLACE BAG ASSEMBLIES INSIDE CABINET.

| | | | |
|---|---|--|---|
| Material: | GALV. STEEL 16 GA. TOP/BTM 14 GA. BACK/FRNT | |  General Offices: Kansas City, MO |
| Shear/ Die#: | | | |
| Finish: | MILBANK LIGHT GRAY | | Title: |
| Part Wt.: | | | TELEPHONE CABINET TYPE 3R |
| Tolerances: Unless Specified Otherwise | | Third Angle  | Catalog No.: |
| X.X | ±.1 | | SEE CHART |
| X.XX | ±.03 | | Customer: |
| X.XXX | ±.015 | | MILBANK STANDARD |
| X* | ±2* | | Drawing No.: |
| Scale: | NTS | Checked By: | |
| Drawn By: | D.F. | Approved By: | |
| Date: | 6/7/11 | Sheet | 1 of 1 |

| REV. | DATE | DESCRIPTION | BY |
|------|--------|--|------|
| B2 | 6/7/11 | ADD CHART; REDRAW INTO SOLIDWORKS (ECO #20764) | D.F. |



Catalog Number: 303612-TC3R
Item Description: N3R TELEPHONE CAB
UPC Code: 784572231245

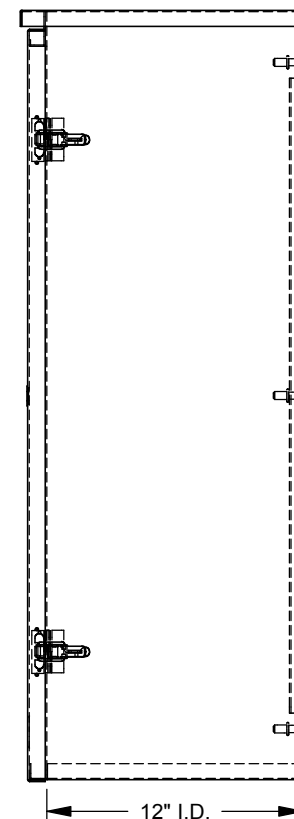
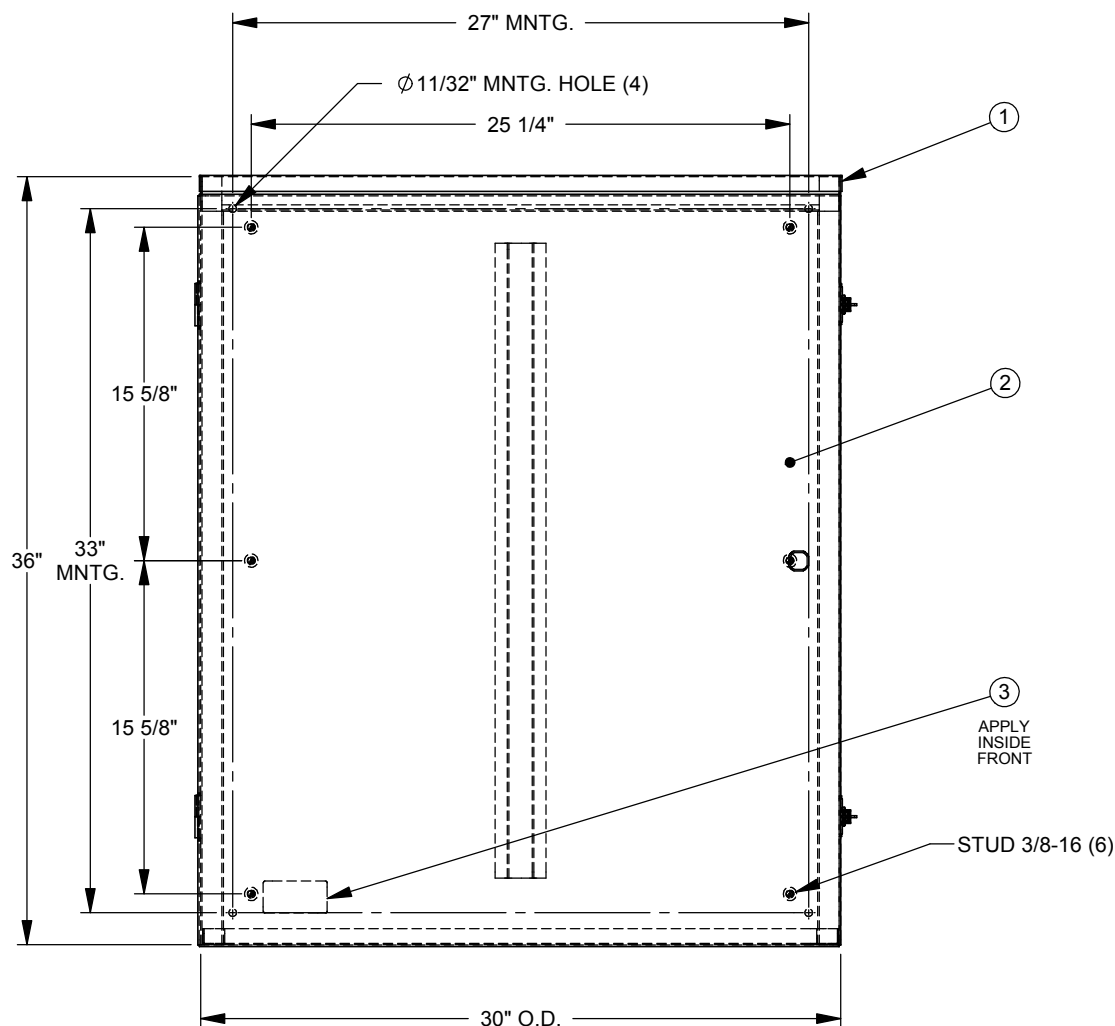
Brand Name: Milbank
Type: Telephone Cabinet
Special Features: Pad Lockable Draw Latch Installed,
Continuous Hinge
Application: Outdoor Telephone Cabinet
Standard: UL Listed, Type 3R
Number Of Outlet: 0
Door: Single Door
Material: Steel with Powder Coat Finish
Cable Entry: No Knockouts
Color: ANSI 61 Gray
Mounting: Wall Mount




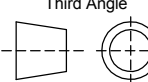
Utility requirements may vary. Always consult the serving utility for their requirements prior to ordering or installing this equipment. This product must always be installed by a licensed electrician. Installation of this equipment may require local electrical inspector approval.

| | |
|----------------|-----------|
| CATALOG NO. | LABEL NO. |
| 303612-TC3R | 1003115 |
| RC-303612-TC3R | 1125418 |

| ITEM | QTY. | PART NUMBER | DESCRIPTION |
|------|------|-------------|----------------------|
| 1 | 1 | 1153637 | BACK WELDMENT |
| 2 | 1 | 1153636 | |
| 3 | 1 | (SEE CHART) | LABEL (UL) |
| 4 | 2 | 1002169 | BAG ASSY (NOT SHOWN) |
| 5 | 1 | 1002978 | CARTON (NOT SHOWN) |



NOTES:
1.) PLACE BAG ASSEMBLIES INSIDE CABINET.

| | | | |
|--|---|--|---|
| Material: | GALV. STEEL 16 GA. TOP/BTM 14 GA. BACK/FRNT | |  General Offices: Kansas City, MO |
| Shear/ Die#: | | | |
| Finish: | MILBANK LIGHT GRAY | | Title: |
| Part Wt.: | | | TELEPHONE CABINET TYPE 3R |
| Tolerances: Unless Specified Otherwise X.X ±.1 X.XX ±.03 X.XXX ±.015 X* ±2* | | Third Angle  | Catalog No.: |
| Scale: NTS | | Checked By: | SEE CHART |
| Drawn By: D.F. | Approved By: | Date: | Customer: MILBANK STANDARD |
| | | | Drawing No.: 773 |
| | | | Sheet 1 of 1 |

| REV. | DATE | DESCRIPTION | BY |
|------|--------|--|------|
| B2 | 6/7/11 | ADD CHART; REDRAW INTO SOLIDWORKS (ECO #20764) | D.F. |