

Project		Catalog #		Type	
Prepared by		Notes		Date	



Metalux

SLSTP Lensed LED

Lensed LED Striplight

Typical Applications

Commercial • Industrial • Retail • Residential

Interactive Menu

- Order Information [page 2](#)
- Photometric Data [page 3](#)
- Control Solutions [page 4](#)
- Product Warranty

Product Certification



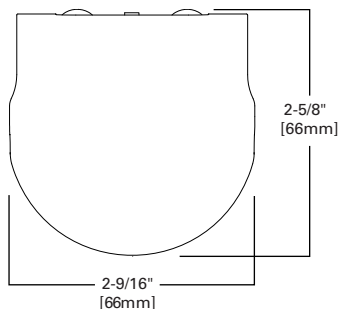
Product Features



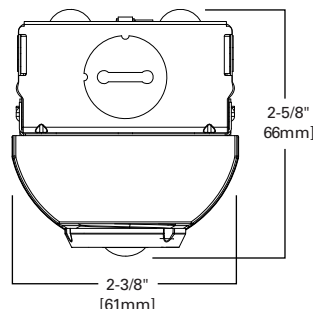
Top Product Features

- From 2400 lumens to 5800 lumens for a 4 foot strip
- 8ft. 4ft. and 2ft. Lengths with single lens (no tandem) to address any application
- Up to 125 LPW and DLC compliant to enable rebates and energy savings
- Frost white polycarbonate lens, linear prisms for even illumination
- Typical 80 CRI; 3500K, 4000K & 5000K CCT options; Emergency and dimming options

Dimensional and Mounting Details



WITH ENDCAP INSTALLED



WITH SENSOR – NO ENDCAP INSTALLED

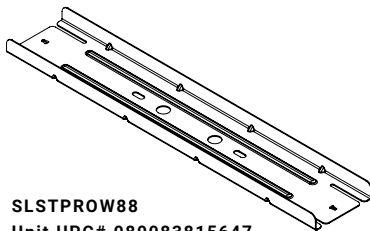
[additional product diagrams](#)

Order Information

Catalog #	UPC	Length	CCT (K)	Delivered Lumens	Watts	Efficacy (lm/W)	Controls	Input Current (A)	
								120V	277V
2SLSTP1040DD-120V	080083705771	2	4000	1390	12	121	Triac Dimming to 10%	0.10	
2SLSTP2040DD-120V	080083705788	2	4000	2680	22	121	Triac Dimming to 10%	0.19	
4SLSTP2040DD-120V	080083705795	4	4000	2830	23	125	Triac Dimming to 10%	0.19	
4SLSTP4040DD-120V	080083705801	4	4000	4980	40	125	Triac Dimming to 10%	0.33	
2SLSTP2035DD-UNV	080083814763	2	3500	2671	23	118	0-10V Dimming to 10%	0.19	0.08
2SLSTP2040DD-UNV	080083807826	2	4000	2680	23	118	0-10V Dimming to 10%	0.19	0.08
2SLSTP2050DD-UNV	080083158928	2	5000	2921	22	131	0-10V Dimming to 10%	0.19	0.08
4SLSTP2040DD-UNV	080083705818	4	4000	2631	22	120	0-10V Dimming to 10%	0.18	0.08
4SLSTP2050DD-UNV	080083158935	4	5000	2858	22	127	0-10V Dimming to 10%	0.19	0.08
4SLSTP4035DD-UNV	080083807765	4	3500	4766	41	117	0-10V Dimming to 10%	0.34	0.15
4SLSTP4040DD-UNV	080083705825	4	4000	4927	41	120	0-10V Dimming to 10%	0.34	0.15
4SLSTP5540DD-UNV	080083807789	4	4000	5733	47	122	0-10V Dimming to 10%	0.39	0.17
4SLSTP5550DD-UNV	080083158959	4	5000	6207	49	126	0-10V Dimming to 10%	0.41	0.18
8SLSTP8035DD-UNV	080083804368	8	3500	8958	75	119	0-10V Dimming to 10%	0.63	0.27
8SLSTP8040DD-UNV	080083814787	8	4000	9304	76	123	0-10V Dimming to 10%	0.63	0.27
8SLSTP8050DD-UNV	080083158966	8	5000	9922	76	131	0-10V Dimming to 10%	0.63	0.27
8SLSTP11035DD-UNV	080083807703	8	3500	11436	94	122	0-10V Dimming to 10%	0.78	0.34
8SLSTP11040DD-UNV	080083807680	8	4000	11467	94	122	0-10V Dimming to 10%	0.78	0.34
8SLSTP11050DD-UNV	080083158973	8	5000	12414	94	132	0-10V Dimming to 10%	0.78	0.34
4SLSTP4040CS	080083807741	4	4000	4898	40	122	0-10V Dimming to 10%	0.34	0.15
8SLSTP8040CS	080083807727	8	4000	8949	72	124	0-10V Dimming to 10%	0.60	0.26

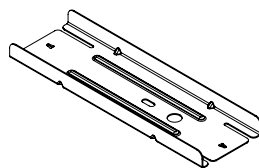
Accessories (Order Separately)

ROW ALIGNER 8' - 8'



SLSTPROW88
 Unit UPC# 080083815647
 Master Carton UPC# 080083815654
 (50 per Master)

ROW ALIGNER 8' - 4'



SLSTPROW842
 Unit UPC# 080083815661
 Master Carton UPC# 080083815678
 (100 per Master)

AYC-Chain/Set=36" Hanging Chain Set w/V Hooks
 Y-TOGGLE-10-2PK=(2) Y-Toggle Cable Kits at 10FT long ⁽¹⁾
 SCF-12-B=12" Fixed Stem Set (specify if another length is needed)
 2SLSTPLNS=2 ft. Replacement Lens
 4SLSTPLNS=4 ft. Replacement Lens
 8SLSTPLNS=8 ft. Replacement Lens
 EBPLED7W=User Installed, Remote Mount, 7 Watt LED Emergency Battery Pack
 EBPLED14W=User Installed, Remote Mount, 14 Watt LED Emergency Battery Pack

Notes: (1) Continuous row mount only between fixtures.

Energy and Performance Data

Load Data

	2'	4'	8'
PF	0.99	0.99	0.98
THD%	13.6	12.9	< 20
Weight	2.8	4.6	9
Low Temp. Start	-20°C	-20°C	-20°C

Shipping Data

Catalog Base	Wt.	Unit per Pallet
2SLSTP	2.38 lbs.	144
4SLSTP	4.3 lbs.	72
8SLSTP	9 lbs.	45

Product Specifications

Feature Header

- Fixture channel, cover and end plates are formed from cold rolled steel
- Fixture channel offers all of the features needed for installation including multiple KO, a round J-box cover, wiring connectors and decorative end caps
- Post painted for ease of handling
- Decorative end caps snap-on for an improved aesthetic finish
- Suitable for either single or continuous row applications

Electrical

- Long-Life LED system with an energy-efficient electronic driver comes in UNV (120-277V) or 120V versions
- Both drivers offer smooth dimming with a number of residential and commercial dimmers
- LED's CCT are 3500K and 4000K with a CRI \geq 80
- Projected life is 50,000 hours at 70% lumen output

Controls

- Maximize energy savings - combine with products like occupancy sensors, daylighting controls, and lighting relay panels
- Standard 0-10V continuous dimming driver works with any standard 0-10V control/dimmer
- Dimming range is 10% to 100% and varies by control device
- 120V drivers work with standard 120V phase cut dimmers
- See dimming compatibility chart posted on website. Optional simple occupancy sensors enable code compliance all in a simple package

Finish

- Post painted with high reflective paint – standard

Shielding

- Offers a frost lens with decorative end caps for single and end of the row applications

Installation

- May be surface, suspended, or wall mounted
- Multiple 7/8" K.O. on back and one on each end

Compliance

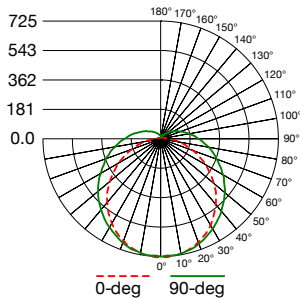
- cULus listed for damp location rated
- LED's comply with IESNA LM-79 and LM-80 standards
- Under 4", ADA Compliant. DesignLights Consortium® Qualified and classified for DLC Standard, refer to www.designlights.org for details
- RoHS compliant
- Suitable for use in closet storage spaces when installed in accordance with NFPA-70 and NEC 410.16 spacing requirements

Warranty

- Five year warranty

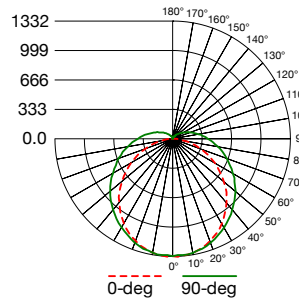
Photometric Data

 [View IES files](#)



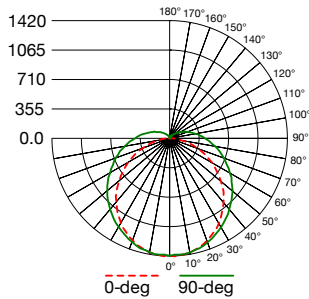
2SLSTP2040DD-UNV

Electronic Driver
 Linear LED 4000K
 Spacing criterion: (H) 1.24 x mounting height, (L) 1.30 x mounting height
 Lumens: 2679
 Input Watts: 22.2W
 Efficacy: 121 LPW
 Test Report: 2SLSTP2040DD-UNV.IES



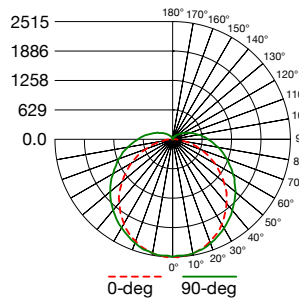
4SLSTP4040DD-UNV

Electronic Driver
 Linear LED 4000K
 Spacing criterion: (H) 1.24 x mounting height, (L) 1.30 x mounting height
 Lumens: 4925
 Input Watts: 40.3W
 Efficacy: 120 LPW
 Test Report: 4SLSTP4040DD-UNV.IES



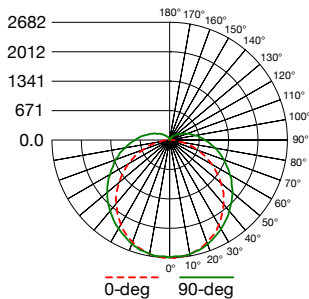
4SLSTP4050DD-UNV

Electronic Driver
 Linear LED 5000K
 Spacing criterion: (H) 1.24 x mounting height, (L) 1.30 x mounting height
 Lumens: 5252
 Input Watts: 40.3W
 Efficacy: 130 LPW
 Test Report: 4SLSTP4050DD-UNV.IES



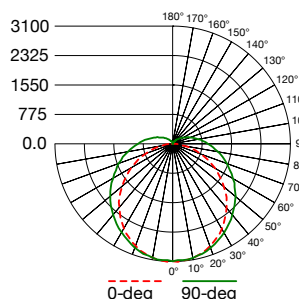
8SLSTP8040DD-UNV

Electronic Driver
 Linear LED 4000K
 Spacing criterion: (H) 1.24 x mounting height, (L) 1.30 x mounting height
 Lumens: 9304
 Input Watts: 75.8W
 Efficacy: 123 LPW
 Test Report: 8SLSTP8040DD-UNV.IES



8SLSTP8050DD-UNV

Electronic Driver
 Linear LED 5000K
 Spacing criterion: (H) 1.24 x mounting height, (L) 1.30 x mounting height
 Lumens: 9918
 Input Watts: 75.8W
 Efficacy: 131 LPW
 Test Report: 8SLSTP8050DD-UNV.IES

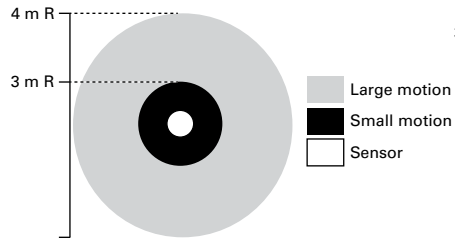


8SLSTP11040DD-UNV

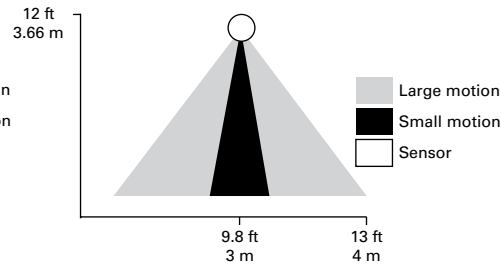
Electronic Driver
 Linear LED 4000K
 Spacing criterion: (H) 1.24 x mounting height, (L) 1.30 x mounting height
 Lumens: 11463
 Input Watts: 93.6W
 Efficacy: 122 LPW
 Test Report: 8SLSTP11040DD-UNV.IES

Sensor Coverage ("CS" SKU Designation)

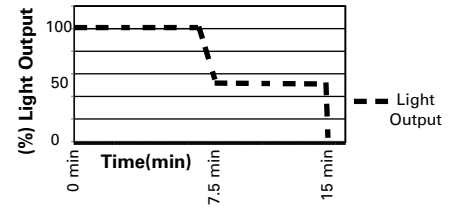
SENSOR COVERAGE PATTERN TOP VIEW



SENSOR COVERAGE PATTERN SIDE VIEW



LIGHT OUTPUT VERSUS TIME



Dimensional and Mounting Details

