

## DESCRIPTION

The Paralux III Series features recessed aesthetics and the latest in energy efficient technology. The luminaire incorporates a nominal 3" deep precision cell louver into a 4-3/4" deep para-contoured fixture housing. This combination creates a total high performance parabolic optical assembly for optimum performance. The series is compatible with all of today's popular ceiling systems and is available with a number of options and accessories for application versatility. The high performance luminaire is designed to offer maximum efficiency and performance for today's unique interior specifications. The Paralux III series is an excellent choice for commercial office spaces, schools, hospitals or retail merchandising areas.

## SPECIFICATION FEATURES

### Construction

4-3/4" deep, para-contoured housing, die formed of code gauge, prime cold rolled steel. Die embossed housing has full length die formed stiffeners for added strength. Contoured ballast/wireway cover is easily removed without tools. Die formed captive lampholder bracket fully encloses lampholder wiring permitting easy lampholder replacement. Heavy end plates are securely attached with interlocking tabs and screws. Four auxiliary fixture end suspension points provided. KOs for continuous row wiring. End plates have labor saving integral Grid-Lock feature for safety and convenience. \*

### Electrical\*\*

Ballast are CBM/ETL Class "P" and are positively secured by mounting bolts. Pressure lock lampholders. UL/CUL listed. Suitable for damp locations.

### Finish

Lighting grade, baked white enamel finish. Multistage, iron phosphate pretreatment ensures maximum bonding and rust inhibition.

### Hinging/Latching

Positive cam action spring loaded, self locking, black steel latches. Safety lock T-hinges allow hinging and latching either side.

### Louver

Die formed of low iridescent, vertical grain anodized aluminum. Finish is Anodic oxide coating. Accurate precision parabolic cells are held in place with interlocking feature. True-cut mitered corners. Black reveal with integral mechanical light seal around entire perimeter of louver. Louver protected from construction contaminants by polyethylene cover.

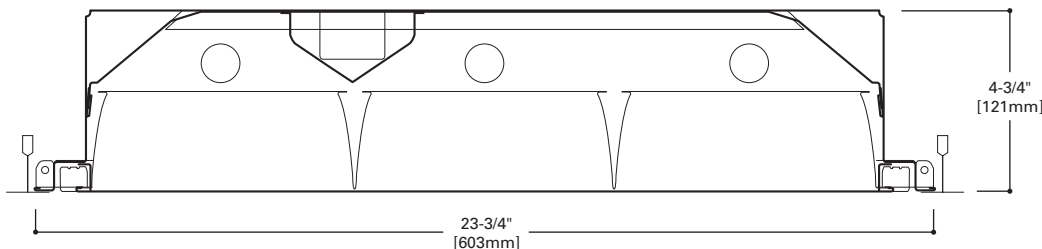


**2EP3GAX**  
**328T8**  
**332**

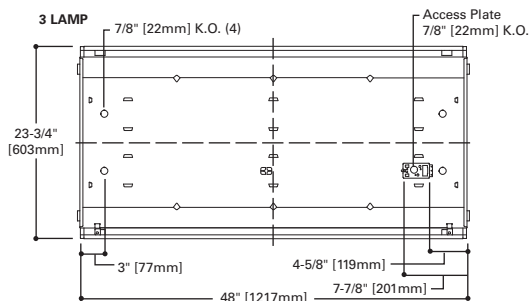
**18, 24 Cell**

**2' X 4' PARABOLIC  
3 T8 LAMPS  
SEMI-SPECULAR, SPECULAR  
OR WHITE PAINTED LOUVER**

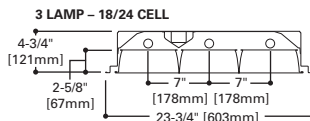
Paralux III  
Recessed Static or Air  
Supply Troffer



## MOUNTING DATA



## LAMP CONFIGURATIONS



## CEILING COMPATIBILITY

G	G	G	F	MZ	Ceiling Type	Trim Type
Grid/Lay-in Standard	Concealed T	Slot Grid	Aluminum Flange Trim With Supporting Swing Gates	Modular Trim With Supporting Swing Gates	Exposed Grid	G
					Concealed T	G
					Slot Grid	G
					Flange	F
					Concealed "T" or "Z"	MZ
					Metal Pan	MZ
					(Verify compatibility/consult factory.)	

## ENERGY DATA

Input Watts:  
**EB Ballast & STD Lamps**  
328T8 (67)  
332 (81)

Luminaire Efficacy Rating

**LER = FP-77**

Catalog Number: 2EP3GAX-332S36I

**Yearly Cost of 1000 lumens,  
3000 hrs at .08 KWH = \$3.11**

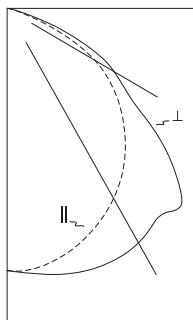
\*\*Reference the lamp/ballast data in the Technical Section for specific lamp/ballast requirements.

**LAMPS CONTAIN MERCURY. DISPOSE ACCORDING TO LOCAL, STATE OR FEDERAL LAWS**

**LINEAR DISCONNECT**

Safe and convenient means of disconnecting power.

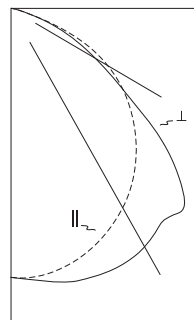
PHOTOMETRICS



**2EP3GX-332S381**  
Electronic Ballast  
F32T8/35K Lamps  
3100 Lumens  
Spacing criterion:  
(H) 1.2 x mounting  
height, (L) 1.5 x  
mounting height  
Efficiency 66.3%  
Test Report:  
220P212  
LER = FP-74  
Yearly Cost of 1000  
lumens, 3000 hrs at  
.08 KWH = \$3.24

Candlepower

Angle	Along H	45°	Across L
0	2238	2238	2238
5	2239	2252	2270
10	2198	2250	2306
15	2135	2227	2333
20	2051	2185	2343
25	1955	2123	2329
30	1845	2041	2287
35	1719	1941	2211
40	1574	1817	2246
45	1414	1689	2060
50	1248	1536	1678
55	1064	1220	1258
60	846	818	1043
65	546	506	756
70	250	255	421
75	101	106	143
80	47	48	54
85	16	16	16
90	0	0	0



**2EP3GX-332S361-EB82**  
Electronic Ballast  
F32T8/35K Lamps  
3100 Lumens  
Spacing criterion:  
(H) 1.3 x mounting  
height, (L) 1.5 x  
mounting height  
Efficiency 69.1%  
Test Report:  
220P211  
LER = FP-77  
Yearly Cost of 1000  
lumens, 3000 hrs at  
.08 KWH = \$3.11

Candlepower

Angle	Along H	45°	Across L
0	2243	2243	2243
5	2246	2258	2275
10	2213	2263	2311
15	2160	2248	2340
20	2084	2215	2354
25	1992	2163	2342
30	1884	2089	2303
35	1762	1998	2231
40	1619	1880	2268
45	1463	1759	2080
50	1298	1619	1670
55	1120	1310	1244
60	921	891	1052
65	673	583	771
70	373	339	432
75	128	132	148
80	54	54	55
85	19	18	15
90	0	0	0

Coefficients of Utilization

rc	Effective floor cavity reflectance															
	80%			70%			50%			30%			10%			0%
rw	70	50	30	70	50	30	70	50	30	70	50	30	70	50	30	0
RCR																
0	79	79	79	77	77	77	74	74	74	71	71	71	68	68	68	66
1	73	70	68	66	66	66	66	64	63	64	62	61	61	60	59	58
2	67	62	58	55	55	55	59	56	53	57	54	52	55	53	51	49
3	62	55	50	46	46	46	52	48	45	50	47	44	49	46	44	42
4	57	49	44	39	39	39	47	42	39	45	41	38	44	40	38	36
5	52	44	38	34	34	34	42	37	34	41	36	33	39	36	33	32
6	48	40	34	30	30	30	38	33	29	37	32	29	36	32	29	28
7	45	36	30	26	26	26	34	30	26	33	29	26	33	29	26	24
8	41	33	27	23	23	23	31	27	23	31	26	23	30	26	23	22
9	39	30	25	21	21	21	29	24	21	28	24	21	27	24	21	20
10	36	28	22	19	19	19	27	22	19	26	22	19	25	22	19	18

Coefficients of Utilization

rc	Effective floor cavity reflectance															
	80%			70%			50%			30%			10%			0%
rw	70	50	30	70	50	30	70	50	30	70	50	30	70	50	30	0
RCR																
0	82	82	82	82	80	80	80	80	80	77	77	77	74	74	74	69
1	76	73	71	68	74	72	69	67	69	67	65	65	66	65	63	60
2	70	65	60	57	68	63	59	56	61	58	55	55	59	56	53	51
3	64	57	52	48	62	56	51	47	54	50	46	46	52	49	46	45
4	59	51	45	41	57	50	44	40	48	43	40	46	42	39	45	42
5	54	45	39	35	52	45	39	35	43	38	34	42	37	34	41	37
6	50	41	35	31	48	40	34	30	39	34	30	38	33	30	37	33
7	46	37	31	27	45	36	31	27	35	30	27	34	30	26	33	29
8	43	34	28	24	42	33	28	24	32	27	24	31	27	24	31	27
9	40	31	25	21	39	30	25	21	30	25	21	29	24	21	28	24
10	37	28	23	19	37	28	23	19	27	23	19	27	22	19	26	22

Zonal Lumen Summary

Zone	Lumens	%Lamp	%Fixture
0-30	1830	19.7	29.7
0-40	3053	32.8	49.5
0-60	5433	58.4	88.1
0-90	6167	66.3	100.0
0-180	6167	66.3	100.0

Typical VCP Percentages

Room Size (Ft.)	Height Along		Height Across	
	8.5'	10.0'	8.5'	10.0'
20 x 20	69	68	65	64
30 x 30	74	71	70	67
30 x 60	76	73	73	71
60 x 30	79	76	76	72
60 x 60	80	76	77	74

Zonal Lumen Summary

Zone	Lumens	%Lamp	%Fixture
0-30	1850	19.9	28.8
0-40	3102	33.4	48.3
0-60	5569	59.9	86.6
0-90	6428	69.1	100.0
0-180	6428	69.1	100.0

Typical VCP Percentages

Room Size (Ft.)	Height Along		Height Across	
	8.5'	10.0'	8.5'	10.0'
20 x 20	69	68	65	64
30 x 30	74	71	70	67
30 x 60	76	73	73	71
60 x 30	79	76	76	72
60 x 60	80	76	77	74

ORDERING INFORMATION

SAMPLE NUMBER: 2EP3GAX-332S361-UNV-EB81-U

<p><b>Rating</b> Blank=Standard ATW-SW4=Chicago Rated</p> <p><b>HR</b>=Heat Removal<sup>(1)</sup></p> <p><b>Width</b> 2=2' Width</p> <p><b>EP</b>=Paralux Louver</p> <p>3=3" Louver Depth</p> <p><b>Trim Type</b> G=Grid/Lay-in (Standard) G=Concealed T/Slot Grid<sup>(7)</sup> F=Aluminum Flange Trim<sup>(8)</sup> MZ=Modular Trim</p> <p><b>AX</b>=Air Supply Floating Louver <b>X</b>=Blank Side/Floating Louver - Non-Air Supply (Omit A) <b>AVX</b>=Air Supply Floating Louver with Directional Air Vane (Add V)</p>	<p><b>Number of Lamps</b> 3=3 Lamps<sup>(3)</sup></p> <p><b>Wattage (Length)</b> 28T8=28W T8 (48") 32=32W T8 (48")</p> <p><b>Louver Color</b> S=Silver W=White</p> <p><b>Cell Configuration</b> 36=3 Rows of 6, 18 Cell 38=3 Rows of 8, 24 Cell</p> <p><b>Louver Finish</b> I=Semi-Specular/Haze (Low Iridescent) Standard (Silver Only) MI=Specular/Mirrored (Low Iridescent) (Silver Only) P=Painted (White only)</p> <p><b>Option - Aluminum Flange Trim<sup>(8)</sup></b> Blank=SW (Single White) Type Color 'S' Single 'N' Natural 'R' In Row 'W' White 'E' End of Row</p>	<p><b>Voltage<sup>(4)</sup></b> 120V=120 Volt 277V=277 Volt 347V=347 Volt UNV=Universal Voltage 120-277<sup>(5)</sup></p> <p><b>Options</b> GL=Single Element Fuse GM=Double Element Fuse WTR=White Reveal Flex=Flex Installed (Reference Flex ordering information) EL=Emergency Installed<sup>(6)</sup></p> <p><b>Lamps Installed</b> Blank=No Lamps Installed L8830=T8 Lamp, 28W and 32W, 3000K L8835=T8 Lamp, 28W and 32W, 3500K L8841=T8 Lamp, 28W and 32W, 4100K L8835HL=T8 Lamp, 32W, 3500K, 3100 Lumens L8841HL=T8 Lamp, 32W, 4100K, 3100 Lumens</p>	<p><b>Ballast Type</b> EB8=T8 Electronic Start. Total Harmonic Distortion &lt; 10% No. of Ballast 1, 2 or 3 EB8 /PLUS=T8 Electronic Start. Total Harmonic Distortion &lt; 10% High Ballast Factor &gt; 1.15 No. of Ballast 1, 2 or 3 ER8=T8 Electronic Program Rapid Start. Total Harmonic Distortion &lt; 10% No. of Ballast 1, 2 or 3</p> <p><b>High Performance T8 Ballasts</b> HB8=T8 Electronic Instant Start. Total Harmonic Distortion &lt; 10%. Standard Ballast Factor .86 - .88 HB8 L=T8 Electronic Instant Start. Total Harmonic Distortion &lt; 10%. Low Ballast Factor .77 - .82 HB8 N=T8 Electronic Instant Start. Total Harmonic Distortion &lt; 10%. Normal Ballast Factor 1.0 HB8 H=T8 Electronic Instant Start. Total Harmonic Distortion &lt; 10%. High Ballast Factor 1.15 - 1.20 HR8=T8 Electronic Program Rapid Start. Total Harmonic Distortion &lt; 10%. Standard Ballast Factor .86 - .88 HR8 DIM=T8 Electronic Program Rapid Start. Total Harmonic Distortion &lt; 10%. Step Dimming. Ballast Factor .88 HR8 L=T8 Electronic Program Rapid Start. Total Harmonic Distortion &lt; 10%. Low Ballast Factor .71 - .79 HR8 H=T8 Electronic Program Rapid Start. Total Harmonic Distortion &lt; 10%. High Ballast Factor 1.15 - 1.20</p>	<p><b>Options</b> PAF=Painted After Fabrication REP=Riveted Endplates</p> <p><b>Packaging</b> U=Unit Pack PAL=Job Pack, out of carton PALC=Job Pack, in carton</p>
---	---	--	---	--

NOTES: <sup>(1)</sup> Integral end plate grid lock feature not available in heat removal. <sup>(2)</sup> An EQ Grid Clip is recommended for all 9/16" ceiling systems. Four required per fixture. <sup>(3)</sup> Standard off-center ballast on 3-lamp fixtures. <sup>(4)</sup> Products also available in non-US voltages and frequencies for international markets. <sup>(5)</sup> Not available when specifying emergencies, voltage must be specific. <sup>(6)</sup> Fixtures equipped with "EL" option have 5-1/2" housing depth. <sup>(7)</sup> Louver is recessed by 5/16" in Concealed T or Slot Grid T. <sup>(8)</sup> Specify row configuration, type in catalog number when ordering complete fixture.

For complete product data, reference the Fluorescent Specification binder. Specifications & dimensions subject to change without notice. Consult your Cooper Lighting Representative for availability and ordering information.



Eaton  
1121 Highway 74 South  
Peachtree City, GA 30269  
P: 770-486-4800  
www.eaton.com/lighting

Specifications and dimensions subject to change without notice.

ACCESSORIES

EQ-CLIP-U=T-BAR Safety Earthquake Clips<sup>(2)</sup>

SHIPPING DATA

Catalog No.	Wt.
2EP3GAX-328T8S361	42 lbs.
2EP3GAX-332S361	42 lbs.
2EP3GAX-328T8S381	42 lbs.
2EP3GAX-332S381	42 lbs.

## DESCRIPTION

The Paralux III Series features recessed aesthetics and the latest in energy efficient technology. The luminaire incorporates a nominal 3" deep precision cell louver into a 4-3/4" deep para-contoured fixture housing. This combination creates a total high performance parabolic optical assembly for optimum performance. The series is compatible with all of today's popular ceiling systems and is available with a number of options and accessories for application versatility. The high performance luminaire is designed to offer maximum efficiency and performance for today's unique interior specifications. The Paralux III series is an excellent choice for commercial office spaces, schools, hospitals or retail merchandising areas.

## SPECIFICATION FEATURES

### Construction

4-3/4" deep, para-contoured housing, die formed of code gauge, prime cold rolled steel. Die embossed housing has full length die formed stiffeners for added strength. Contoured ballast/wireway cover is easily removed without tools. Die formed captive lampholder bracket fully encloses lampholder wiring permitting easy lampholder replacement. Heavy end plates are securely attached with interlocking tabs and screws. Four auxiliary fixture end suspension points provided. KOs for continuous row wiring. End plates have labor saving integral Grid-Lock feature for safety and convenience. \*

### Electrical\*\*

Ballast are CBM/ETL Class "P" and are positively secured by mounting bolts. Pressure lock lampholders. UL/CUL listed. Suitable for damp locations.

### Finish

Lighting grade, baked white enamel finish. Multistage, iron phosphate pretreatment ensures maximum bonding and rust inhibition.

### Hinging/Latching

Positive cam action spring loaded, self locking, black steel latches. Safety lock T-hinges allow hinging and latching either side.

### Louver

Die formed of low iridescent, vertical grain anodized aluminum. Finish is Anodic oxide coating. Accurate precision parabolic cells are held in place with interlocking feature. True-cut mitered corners. Black reveal with integral mechanical light seal around entire perimeter of louver. Louver protected from construction contaminants by polyethylene cover.

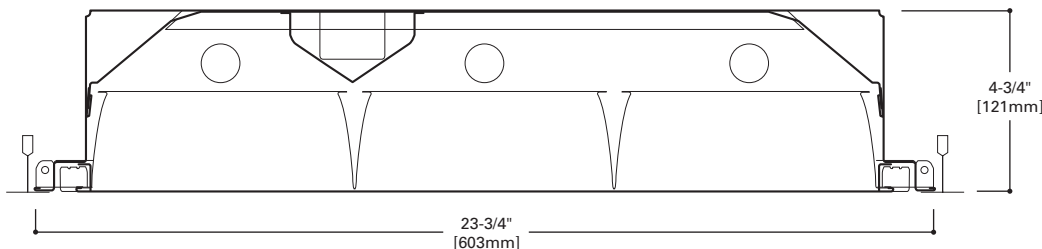


**2EP3GAX**  
**328T8**  
**332**

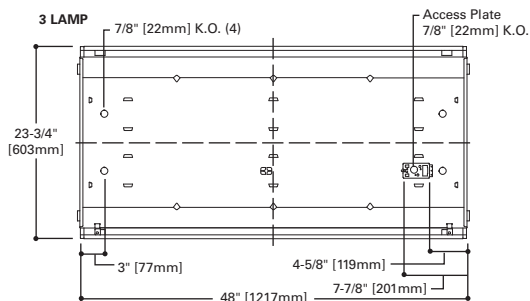
**18, 24 Cell**

**2' X 4' PARABOLIC  
3 T8 LAMPS  
SEMI-SPECULAR, SPECULAR  
OR WHITE PAINTED LOUVER**

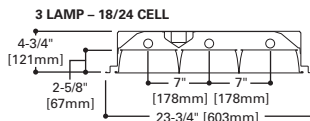
Paralux III  
Recessed Static or Air  
Supply Troffer



## MOUNTING DATA



## LAMP CONFIGURATIONS



## CEILING COMPATIBILITY

G	G	G	F	MZ	Ceiling Type	Trim Type
Grid/Lay-in Standard	Concealed T	Slot Grid	Aluminum Flange Trim With Supporting Swing Gates	Modular Trim With Supporting Swing Gates	Exposed Grid	G
					Concealed T	G
					Slot Grid	G
					Flange	F
					Concealed "T" or "Z"	MZ
					Metal Pan	MZ
					(Verify compatibility/consult factory.)	

## ENERGY DATA

Input Watts:  
**EB Ballast & STD Lamps**  
328T8 (67)  
332 (81)

Luminaire Efficacy Rating

**LER = FP-77**

Catalog Number: 2EP3GAX-332S36I

**Yearly Cost of 1000 lumens,**  
3000 hrs at .08 KWH = \$3.11

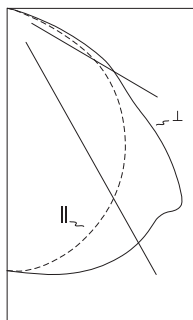
\*\*Reference the lamp/ballast data in the Technical Section for specific lamp/ballast requirements.

**LAMPS CONTAIN MERCURY. DISPOSE ACCORDING TO LOCAL, STATE OR FEDERAL LAWS**

**LINEAR DISCONNECT**

Safe and convenient means of disconnecting power.

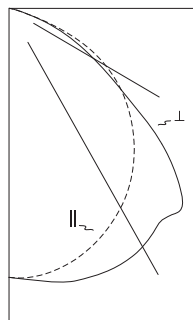
PHOTOMETRICS



**2EP3GX-332S381**  
Electronic Ballast  
F32T8/35K Lamps  
3100 Lumens  
Spacing criterion:  
(H) 1.2 x mounting  
height, (L) 1.5 x  
mounting height  
Efficiency 66.3%  
Test Report:  
220P212  
LER = FP-74  
Yearly Cost of 1000  
lumens, 3000 hrs at  
.08 KWH = \$3.24

Candlepower

Angle	Along H	45°	Across L
0	2238	2238	2238
5	2239	2252	2270
10	2198	2250	2306
15	2135	2227	2333
20	2051	2185	2343
25	1955	2123	2329
30	1845	2041	2287
35	1719	1941	2211
40	1574	1817	2246
45	1414	1689	2060
50	1248	1536	1678
55	1064	1220	1258
60	846	818	1043
65	546	506	756
70	250	255	421
75	101	106	143
80	47	48	54
85	16	16	16
90	0	0	0



**2EP3GX-332S361-EB82**  
Electronic Ballast  
F32T8/35K Lamps  
3100 Lumens  
Spacing criterion:  
(H) 1.3 x mounting  
height, (L) 1.5 x  
mounting height  
Efficiency 69.1%  
Test Report:  
220P211  
LER = FP-77  
Yearly Cost of 1000  
lumens, 3000 hrs at  
.08 KWH = \$3.11

Candlepower

Angle	Along H	45°	Across L
0	2243	2243	2243
5	2246	2258	2275
10	2213	2263	2311
15	2160	2248	2340
20	2084	2215	2354
25	1992	2163	2342
30	1884	2089	2303
35	1762	1998	2231
40	1619	1880	2268
45	1463	1759	2080
50	1298	1619	1670
55	1120	1310	1244
60	921	891	1052
65	673	583	771
70	373	339	432
75	128	132	148
80	54	54	55
85	19	18	15
90	0	0	0

Coefficients of Utilization

rc	Effective floor cavity reflectance															
	80%			70%			50%			30%			10%			0%
rw	70	50	30	70	50	30	70	50	30	70	50	30	70	50	30	0
RCR																
0	79	79	79	77	77	77	74	74	74	71	71	71	68	68	68	66
1	73	70	68	66	66	65	66	64	63	64	62	61	61	60	59	58
2	67	62	58	55	55	54	59	56	53	57	54	52	55	53	51	49
3	62	55	50	46	46	45	52	48	45	50	47	44	49	46	44	42
4	57	49	44	39	39	38	47	42	39	45	41	38	44	40	38	36
5	52	44	38	34	34	33	42	37	34	41	36	33	39	36	33	32
6	48	40	34	30	30	29	38	33	29	37	32	29	36	32	29	28
7	45	36	30	26	26	25	34	30	26	33	29	26	33	29	26	24
8	41	33	27	23	23	22	31	27	23	31	26	23	30	26	23	22
9	39	30	25	21	21	20	29	24	21	28	24	21	27	24	21	20
10	36	28	22	19	19	18	27	22	19	26	22	19	25	22	19	18

Coefficients of Utilization

rc	Effective floor cavity reflectance															
	80%			70%			50%			30%			10%			0%
rw	70	50	30	70	50	30	70	50	30	70	50	30	70	50	30	0
RCR																
0	82	82	82	82	80	80	80	80	80	77	77	77	74	74	74	69
1	76	73	71	68	74	72	69	67	69	67	65	66	65	63	64	61
2	70	65	60	57	68	63	59	56	61	58	55	59	56	53	57	54
3	64	57	52	48	62	56	51	47	54	50	46	52	49	46	50	47
4	59	51	45	41	57	50	44	40	48	43	40	46	42	39	45	42
5	54	45	39	35	52	45	39	35	43	38	34	42	37	34	41	37
6	50	41	35	31	48	40	34	30	39	34	30	38	33	30	37	33
7	46	37	31	27	45	36	31	27	35	30	27	34	30	26	33	29
8	43	34	28	24	42	33	28	24	32	27	24	31	27	24	31	27
9	40	31	25	21	39	30	25	21	30	25	21	29	24	21	28	24
10	37	28	23	19	37	28	23	19	27	23	19	27	22	19	26	22

Zonal Lumen Summary

Zone	Lumens	%Lamp	%Fixture
0-30	1830	19.7	29.7
0-40	3053	32.8	49.5
0-60	5433	58.4	88.1
0-90	6167	66.3	100.0
0-180	6167	66.3	100.0

Typical VCP Percentages

Room Size (Ft.)	Height Along		Height Across	
	8.5'	10.0'	8.5'	10.0'
20 x 20	69	68	65	64
30 x 30	74	71	70	67
30 x 60	76	73	73	71
60 x 30	79	76	76	72
60 x 60	80	76	77	74

Zonal Lumen Summary

Zone	Lumens	%Lamp	%Fixture
0-30	1850	19.9	28.8
0-40	3102	33.4	48.3
0-60	5569	59.9	86.6
0-90	6428	69.1	100.0
0-180	6428	69.1	100.0

Typical VCP Percentages

Room Size (Ft.)	Height Along		Height Across	
	8.5'	10.0'	8.5'	10.0'
20 x 20	69	68	65	64
30 x 30	74	71	70	67
30 x 60	76	73	73	71
60 x 30	79	76	76	72
60 x 60	80	76	77	74

ORDERING INFORMATION

SAMPLE NUMBER: 2EP3GAX-332S361-UNV-EB81-U

<p><b>Rating</b> Blank=Standard ATW-SW4=Chicago Rated</p> <p><b>HR</b>=Heat Removal<sup>(1)</sup></p> <p><b>Width</b> 2=2' Width</p> <p><b>EP</b>=Paralux Louver</p> <p>3=3" Louver Depth</p> <p><b>Trim Type</b> G=Grid/Lay-in (Standard) G=Concealed T/Slot Grid<sup>(7)</sup> F=Aluminum Flange Trim<sup>(8)</sup> MZ=Modular Trim</p> <p><b>AX</b>=Air Supply Floating Louver <b>X</b>=Blank Side/Floating Louver - Non-Air Supply (Omit A) <b>AVX</b>=Air Supply Floating Louver with Directional Air Vane (Add V)</p>	<p><b>Number of Lamps</b> 3=3 Lamps<sup>(3)</sup></p> <p><b>Wattage (Length)</b> 28T8=28W T8 (48") 32=32W T8 (48")</p> <p><b>Louver Color</b> S=Silver W=White</p> <p><b>Cell Configuration</b> 36=3 Rows of 6, 18 Cell 38=3 Rows of 8, 24 Cell</p> <p><b>Louver Finish</b> I=Semi-Specular/Haze (Low Iridescent) Standard (Silver Only) MI=Specular/Mirrored (Low Iridescent) (Silver Only) P=Painted (White only)</p> <p><b>Option - Aluminum Flange Trim<sup>(8)</sup></b> Blank=SW (Single White) Type Color 'S' Single 'N' Natural 'R' In Row 'W' White 'E' End of Row</p>	<p><b>Voltage<sup>(4)</sup></b> 120V=120 Volt 277V=277 Volt 347V=347 Volt UNV=Universal Voltage 120-277<sup>(5)</sup></p> <p><b>Options</b> GL=Single Element Fuse GM=Double Element Fuse WTR=White Reveal Flex=Flex Installed (Reference Flex ordering information) EL=Emergency Installed<sup>(6)</sup></p> <p><b>Lamps Installed</b> Blank=No Lamps Installed L8830=T8 Lamp, 28W and 32W, 3000K L8835=T8 Lamp, 28W and 32W, 3500K L8841=T8 Lamp, 28W and 32W, 4100K L8835HL=T8 Lamp, 32W, 3500K, 3100 Lumens L8841HL=T8 Lamp, 32W, 4100K, 3100 Lumens</p>	<p><b>Ballast Type</b> EB8=T8 Electronic Start. Total Harmonic Distortion &lt; 10% No. of Ballast 1, 2 or 3 EB8 /PLUS=T8 Electronic Start. Total Harmonic Distortion &lt; 10% High Ballast Factor &gt; 1.15 No. of Ballast 1, 2 or 3 ER8=T8 Electronic Program Rapid Start. Total Harmonic Distortion &lt; 10% No. of Ballast 1, 2 or 3</p> <p><b>High Performance T8 Ballasts</b> HB8=T8 Electronic Instant Start. Total Harmonic Distortion &lt; 10%. Standard Ballast Factor .86 - .88 HB8_L=T8 Electronic Instant Start. Total Harmonic Distortion &lt; 10%. Low Ballast Factor .77 - .82 HB8_N=T8 Electronic Instant Start. Total Harmonic Distortion &lt; 10%. Normal Ballast Factor 1.0 HB8_H=T8 Electronic Instant Start. Total Harmonic Distortion &lt; 10%. High Ballast Factor 1.15 - 1.20 HR8=T8 Electronic Program Rapid Start. Total Harmonic Distortion &lt; 10%. Standard Ballast Factor .86 - .88 HR8_DIM=T8 Electronic Program Rapid Start. Total Harmonic Distortion &lt; 10%. Step Dimming. Ballast Factor .88 HR8_L=T8 Electronic Program Rapid Start. Total Harmonic Distortion &lt; 10%. Low Ballast Factor .71 - .79 HR8_H=T8 Electronic Program Rapid Start. Total Harmonic Distortion &lt; 10%. High Ballast Factor 1.15 - 1.20</p>	<p><b>Options</b> PAF=Painted After Fabrication REP=Riveted Endplates</p> <p><b>Packaging</b> U=Unit Pack PAL=Job Pack, out of carton PALC=Job Pack, in carton</p>
---	---	--	---	--

NOTES: <sup>(1)</sup> Integral end plate grid lock feature not available in heat removal. <sup>(2)</sup> An EQ Grid Clip is recommended for all 9/16" ceiling systems. Four required per fixture. <sup>(3)</sup> Standard off-center ballast on 3-lamp fixtures. <sup>(4)</sup> Products also available in non-US voltages and frequencies for international markets. <sup>(5)</sup> Not available when specifying emergencies, voltage must be specific. <sup>(6)</sup> Fixtures equipped with "EL" option have 5-1/2" housing depth. <sup>(7)</sup> Louver is recessed by 5/16" in Concealed T or Slot Grid T. <sup>(8)</sup> Specify row configuration, type in catalog number when ordering complete fixture.

For complete product data, reference the Fluorescent Specification binder. Specifications & dimensions subject to change without notice. Consult your Cooper Lighting Representative for availability and ordering information.



Eaton  
1121 Highway 74 South  
Peachtree City, GA 30269  
P: 770-486-4800  
www.eaton.com/lighting

Specifications and dimensions subject to change without notice.

ACCESSORIES

EQ-CLIP-U=T-BAR Safety Earthquake Clips<sup>(2)</sup>

SHIPPING DATA

Catalog No.	Wt.
2EP3GAX-328T8S361	42 lbs.
2EP3GAX-332S361	42 lbs.
2EP3GAX-328T8S381	42 lbs.
2EP3GAX-332S381	42 lbs.