

## 2-1/2" Raintight Zinc Coupling

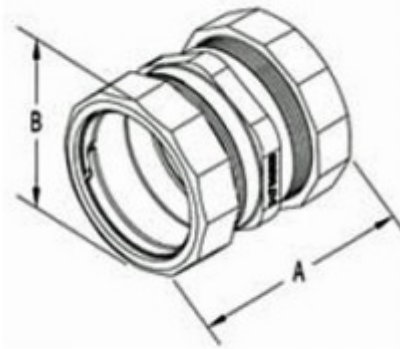
With Bridgeport's newly redesigned Raintight Compression Couplings, 266-RT through 269-RT, contractors can install just one wet location fitting

These 2-1/2" thru 4" dual Listed Zinc Alloy fittings come standard with a 105° C temperature rated insulated throat and the words "Rigid / EMT and marking helps the AHJ to precisely confirm the products intended use.

Patented



[Download Photo](#)



[Download Drawing](#)



[Download Drawing](#)

### Product details

<b>Catalog Number:</b>	266-RT
<b>UPC Number:</b>	78174714266
<b>Primary Materials:</b>	Zinc Die Cast
<b>Trade Size:</b>	2-1/2"
<b>Standard Package Quantity:</b>	12

### Dimensions

<b>Trade Size:</b>	2-1/2"
<b>Dimensions A:</b>	3.75
<b>Dimensions B:</b>	3.44

### Certifications & Codes

**Federal Specification Number:** A-A-50553

**UL File Number:** E24001

**UNSPSC:** 39131707

**Nema Standard:** FB-1

**UL Standard:** UL-514B

**Patent Number:** 9,787,070; 9,343,883; 7,976,070; 7,604,261; 7,390,027

**Country Of Manufacture:** USA