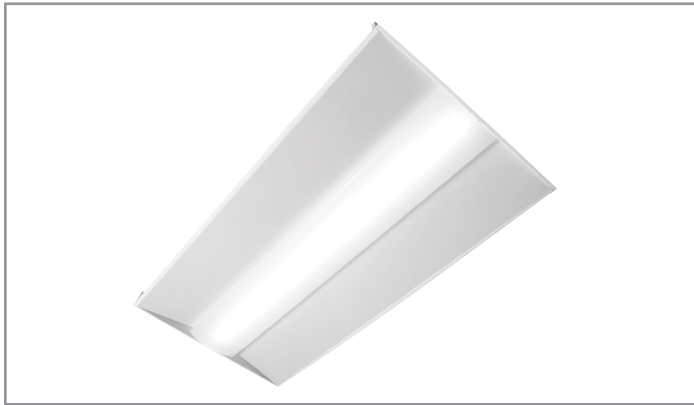


Project		Catalog #		Type	
Prepared by		Notes		Date	



Metalux

24RTC

2x4 Center Basket Troffer

Typical Applications

• Commercial Office Spaces • Schools • Healthcare • Retail Merchandising Areas

Interactive Menu

- Photometric Data page 2
- Product Warranty

Product Certification



Product Features

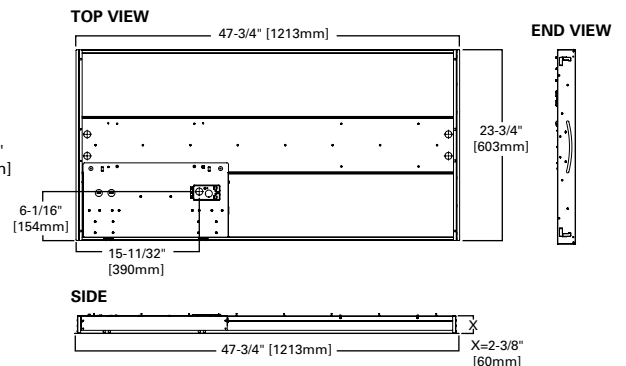
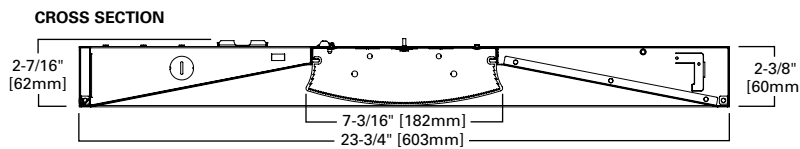


Top Product Features

- Shallow plenum - under 2.5" deep RTC fits the most challenging spaces
- Standard and high lumen models up to 7000 lumens
- Up to 133 lumens per watt delivering up to 56% energy savings
- Stock SKU available in 3500K and 4000K
- UNV driver and 0-10V dimming standard

**Discontinued -
While supplies last**

Dimensional and Mounting Details



Stock SKU and Rated Performance

Catalog Number	UPC	CRI (Min)	CCT	Delivered Nominal Lumens	Watts *	Efficacy (lm/W)	Input current (A)	
							120V	277V
24RTC4835	080083802623	80	3500K	4921	38.2	129	.32	.14
24RTC4840	080083802630	80	4000K	4922	37.8	130		
24RTC6835	080083802647	80	3500K	7220	57.0	127	.49	.22
24RTC6840	080083802654	80	4000K	7195	57.1	126		

* Watts of standard 0-10V product.

Product Specifications

Construction

- 2-1/2" housing constructed of die-formed, code gauge cold rolled steel
- Full length die-formed stiffeners and unibody endplate for added strength
- Four auxiliary fixture end suspension points provided
- Wireway cover removable without tools
- Endplates provided with Grid-Lock feature for safety

LED and Light Engine

- LED's available in 3500K or 4000K at 80 CRI minimum
- TM21 life at 60,000 hours up to L75
- Drivers available in 120-277
- 0-10V dimming to 10% standard

Finish

- Multistage, iron phosphate pretreatment
- 90% reflective, matte white enamel finish
- Full fixture housing painted after fabrication

Compliance

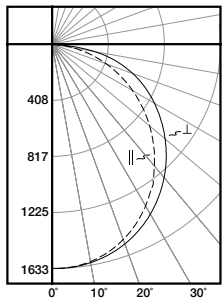
- IC rated for insulation contact
- cULus listed for damp locations
- RoHS compliant
- Tested to IESNA LM-79 and LM-80
- Stated life tested to TM21 standards
- Can be used for State of California Title 24 high efficacy luminaire
- NEMA 410 compliant

Warranty

- Five-year warranty standard.

Photometric Data

[View IES files](#)



24RTC4835
 Electronic Driver
 Linear LED 3500K
 Spacing criterion: (||) 1.21 x mounting height,
 (⊥) 1.28 x mounting height
 Lumens: 4796.7
 Input Watts: 36.8W
 Efficacy: 130.3 lm/W
 Test Report: 24RTC4835.IES

**Discontinued -
While supplies last**

Energy and Performance Data

CCT Table

Approximate Color Temperature Multiplier	
3500K	1.0
4000K	1.02

Load Data

Thd	13%
Power Factor	0.96
Weight	13.6 lbs.
Low Temp Start	-20°C

Shipping Data

Size	Wt.	Pallet (30" x 53")
2x4	17.1 lbs.	13