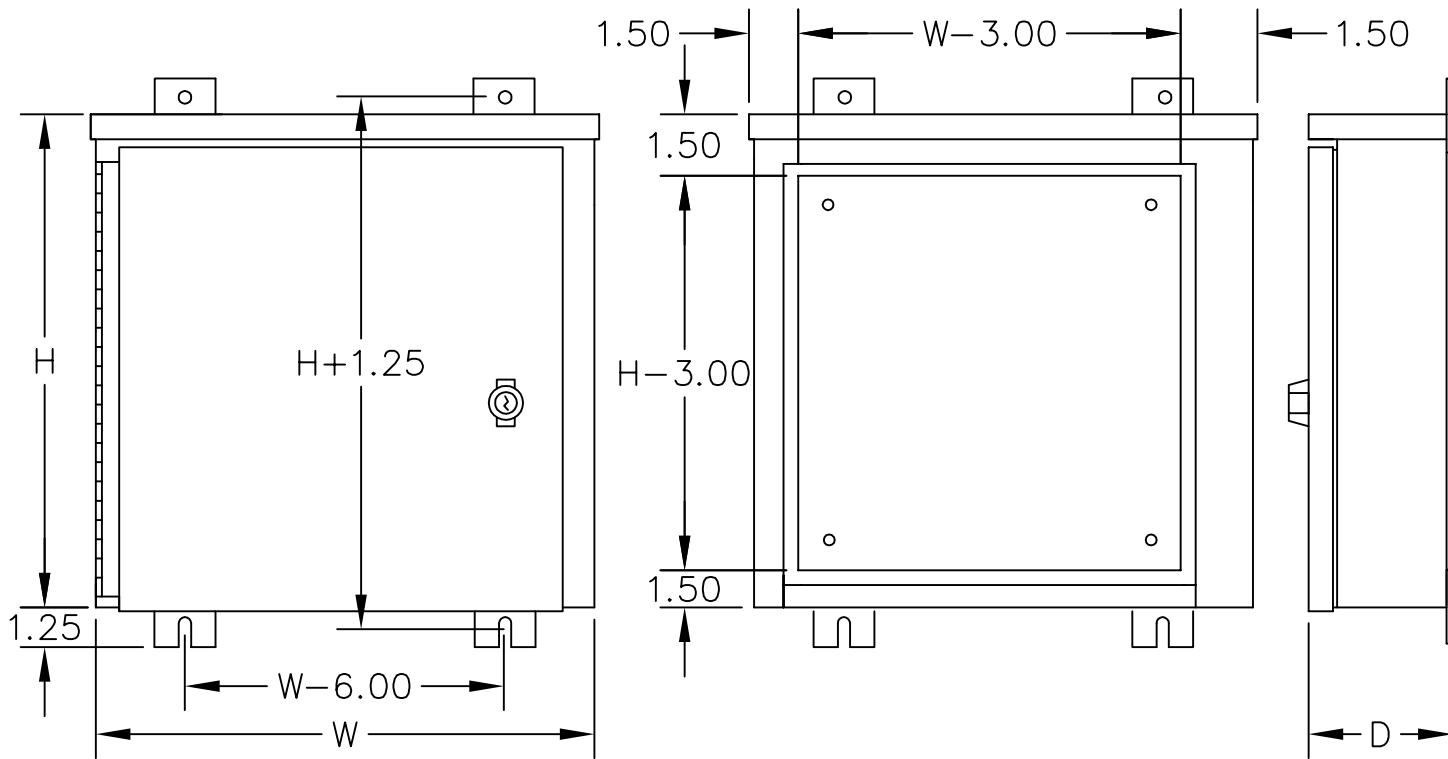


CATALOG#: RE

UL LISTED

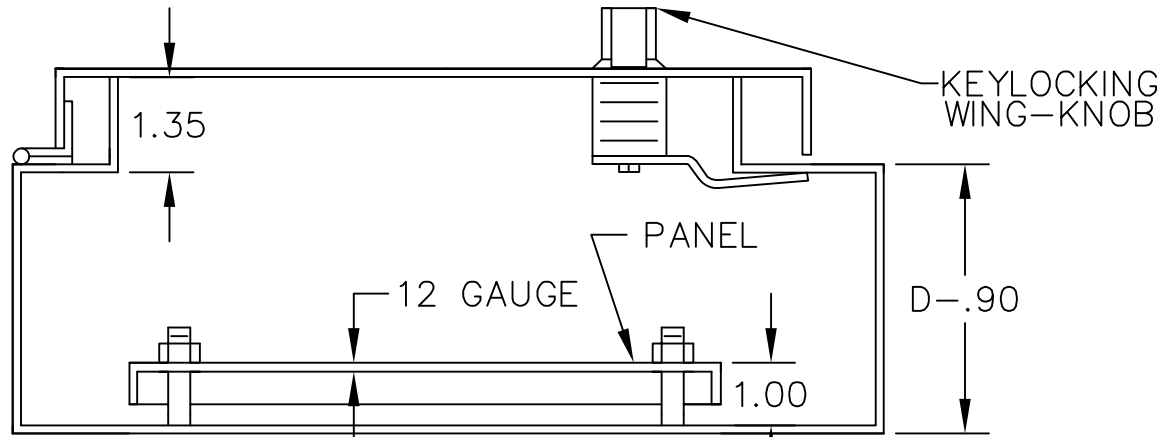
CANADIAN UL LISTED



CONSTRUCTION:  
 -14 GAUGE PAINT GRIP GALVANIZED STEEL.  
 -DRIP SHIELD TOP, FRONT, AND BACK PROTECT FROM RAIN, SNOW, OR SLEET.  
 -CONTINUOUS HINGE.  
 -COVER FASTENED SECURELY WITH KEYLOCKING WING-KNOB.  
 -STUDS PROVIDED FOR MOUNTING OPTIONAL PANEL

FINISH:  
 -ANSI 61 GRAY POLYESTER POWDER COATING INSIDE AND OUT.

| H | W | D |
|---|---|---|
|   |   |   |
|   |   |   |
|   |   |   |
|   |   |   |



TYPE 3R HINGED ENCLOSURES

APPROVAL:



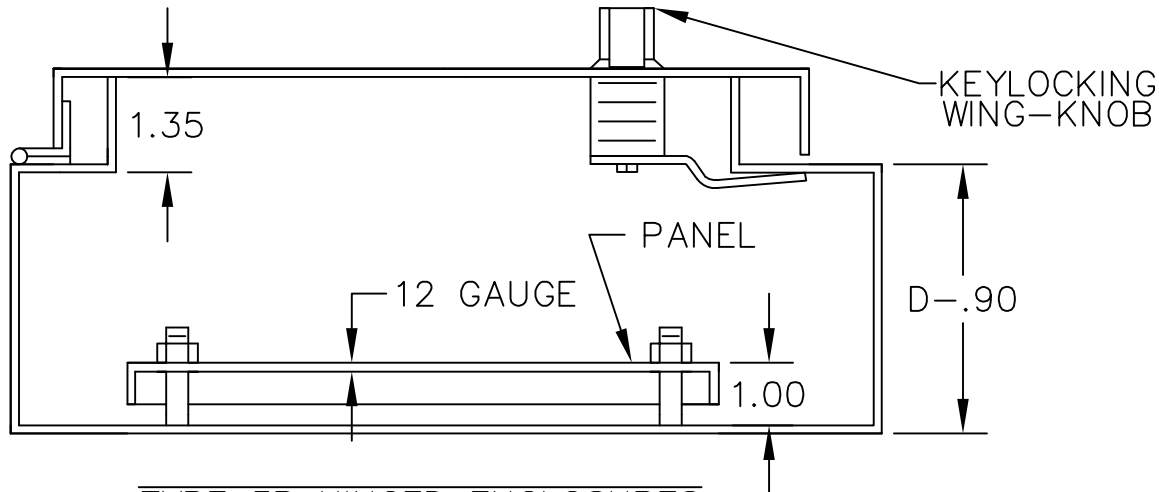
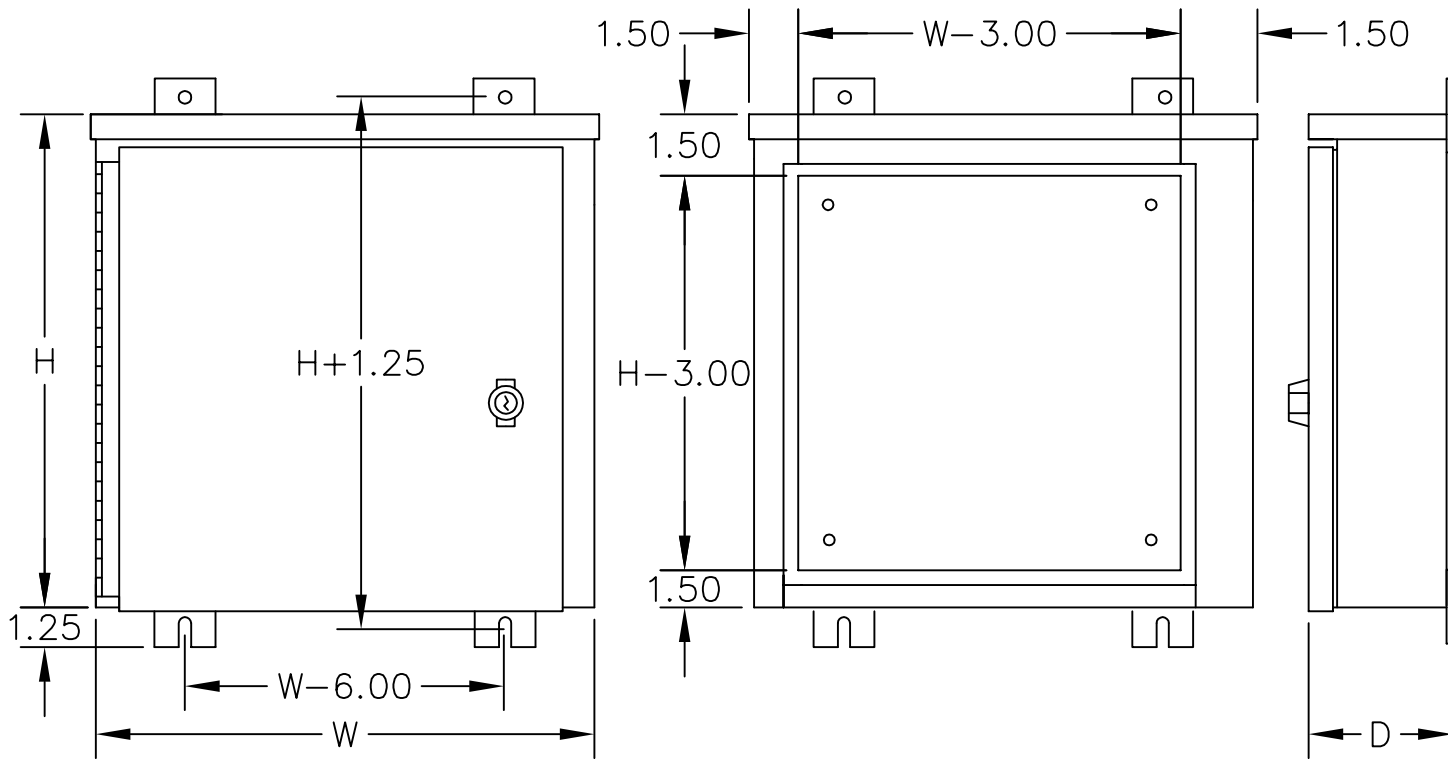
E-BOX  
 101 Air Park Industrial Road  
 Alabaster, Alabama 35007  
 Phone: (205)663-9189  
 Fax: (205)663-9587



CATALOG#: RE

UL LISTED

CANADIAN UL LISTED



TYPE 3R HINGED ENCLOSURES

CONSTRUCTION:  
 -14 GAUGE PAINT GRIP GALVANIZED STEEL.  
 -DRIP SHIELD TOP, FRONT, AND BACK PROTECT FROM RAIN, SNOW, OR SLEET.  
 -CONTINUOUS HINGE.  
 -COVER FASTENED SECURELY WITH KEYLOCKING WING-KNOB.  
 -STUDS PROVIDED FOR MOUNTING OPTIONAL PANEL

FINISH:  
 -ANSI 61 GRAY POLYESTER POWDER COATING INSIDE AND OUT.

| H | W | D |
|---|---|---|
|   |   |   |
|   |   |   |
|   |   |   |
|   |   |   |

APPROVAL:



E-BOX  
 101 Air Park Industrial Road  
 Alabaster, Alabama 35007  
 Phone: (205)663-9189  
 Fax: (205)663-9587

