

**PLEASE CHECK WWW.MOLEX.COM FOR LATEST PART INFORMATION**

**Part Number:** [1300170015](#)  
**Status:** **Active**  
**Overview:** [Brad Mini-Change Connectors](#)  
**Description:** Mini-Change Field Attachable, Female Connector, 4 Pole, Cable Range: 5.08-11.43mm Outside Diameter with Internal Threads

**Documents:**

[Drawing \(PDF\)](#) [RoHS Certificate of Compliance \(PDF\)](#)

**Agency Certification**

CSA LR6837

**General**

Product Family Field Attachable / Accessories  
 Series [130017](#)  
 IP Rating IP67  
 Material - Contact Copper Alloy  
 Overview [Brad Mini-Change Connectors](#)  
 Product Name Mini-Change  
 Type Field Attachable Connector  
 UPC 78678850951

**Physical**

Cable Diameter 5.08-11.43mm (.200-.450")  
 Coupling Type Internal Thread  
 Diagnostics / LEDs No  
 Diagnostics Port No  
 Gender Female  
 Keyway Single  
 Material - Connector Body Nylon  
 Material - Coupling Nut Nickel-plated Brass  
 Material - Plating Mating Gold over Copper  
 Net Weight 49.441/g  
 Orientation Straight  
 Poles 4  
 Temperature Range - Operating -20°C to +80°C  
 Wire Size AWG 15 to 24

**Electrical**

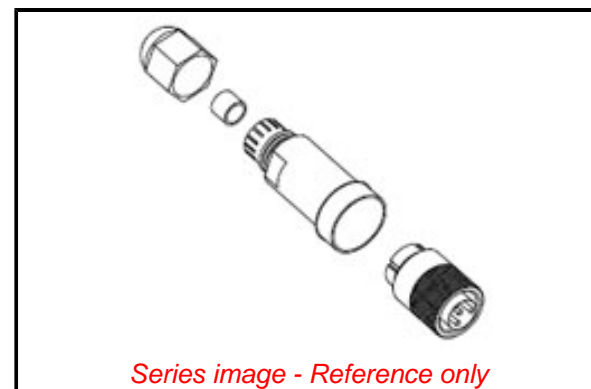
Current - Maximum per Contact 13.0A  
 Voltage - Maximum 600V AC/DC

**Material Info**

Engineering Number 1A4000-34

**Reference - Drawing Numbers**

Sales Drawing SD-130017-003



*Series image - Reference only*

**EU ELV**

**Not Relevant**

**EU RoHS**

**Compliant with Exemption 6(c)**

**REACH SVHC**

Not Contained Per - ED/30/2017 (7 July 2017)

**Halogen-Free**

**Status**

**Low-Halogen**

**Need more information on product environmental compliance?**

Email [productcompliance@molex.com](mailto:productcompliance@molex.com)  
 Please visit the [Contact Us](#) section for any non-product compliance questions.

China ROHS	50 Image
ELV	Not Relevant
RoHS Phthalates	Not Contained

**Search Parts in this Series**

[130017 Series](#)

**PLEASE CHECK WWW.MOLEX.COM FOR LATEST PART INFORMATION**

**PLEASE CHECK WWW.MOLEX.COM FOR LATEST PART INFORMATION**

**Part Number:** [1300170015](#)  
**Status:** **Active**  
**Overview:** [Brad Mini-Change Connectors](#)  
**Description:** Mini-Change Field Attachable, Female Connector, 4 Pole, Cable Range: 5.08-11.43mm Outside Diameter with Internal Threads

**Documents:**

[Drawing \(PDF\)](#) [RoHS Certificate of Compliance \(PDF\)](#)

**Agency Certification**

CSA LR6837

**General**

Product Family Field Attachable / Accessories  
 Series [130017](#)  
 IP Rating IP67  
 Material - Contact Copper Alloy  
 Overview [Brad Mini-Change Connectors](#)  
 Product Name Mini-Change  
 Type Field Attachable Connector  
 UPC 78678850951

**Physical**

Cable Diameter 5.08-11.43mm (.200-.450")  
 Coupling Type Internal Thread  
 Diagnostics / LEDs No  
 Diagnostics Port No  
 Gender Female  
 Keyway Single  
 Material - Connector Body Nylon  
 Material - Coupling Nut Nickel-plated Brass  
 Material - Plating Mating Gold over Copper  
 Net Weight 49.441/g  
 Orientation Straight  
 Poles 4  
 Temperature Range - Operating -20°C to +80°C  
 Wire Size AWG 15 to 24

**Electrical**

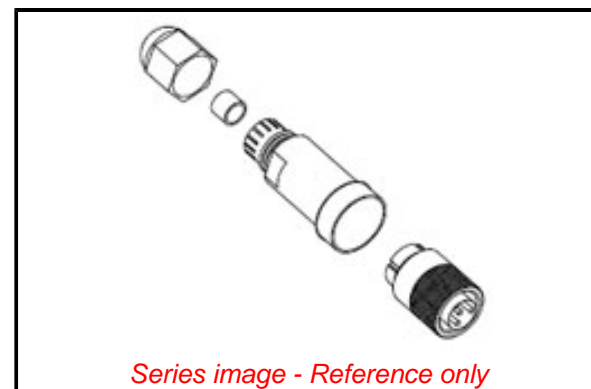
Current - Maximum per Contact 13.0A  
 Voltage - Maximum 600V AC/DC

**Material Info**

Engineering Number 1A4000-34

**Reference - Drawing Numbers**

Sales Drawing SD-130017-003



*Series image - Reference only*

**EU ELV**

**Not Relevant**

**EU RoHS**

**Compliant with Exemption 6(c)**

**REACH SVHC**

Not Contained Per - ED/30/2017 (7 July 2017)

**Halogen-Free**

**Status**

**Low-Halogen**

**Need more information on product environmental compliance?**

Email [productcompliance@molex.com](mailto:productcompliance@molex.com)  
 Please visit the [Contact Us](#) section for any non-product compliance questions.

China ROHS	50 Image
ELV	Not Relevant
RoHS Phthalates	Not Contained

**Search Parts in this Series**

[130017 Series](#)

**PLEASE CHECK WWW.MOLEX.COM FOR LATEST PART INFORMATION**