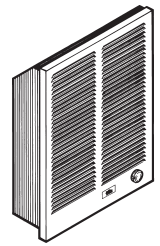


# HIGH-CAPACITY WALL HEATERS MODELS 192, 194 & 198



**Powerful and reliable for commercial uses yet good looking enough to blend with residential decors.**

### FEATURES

#### GRILLE:

- One-piece, heavy-duty 18 gauge steel with downflow louvers
- White, baked enamel
- Front-mounted thermostat
- Color coordinated thermostat knob
- Thermostat security cover – prohibits tampering

#### HEATER ASSEMBLY:

- Heating Element: Heavy-duty sheath element with steel-plate fins
- Thermostat: Snap-action heavy-duty disc-type
- Motor: Permanently lubricated (Models 192 & 194); Totally enclosed, permanently lubricated (Model 198)
- Thermal Overload: Manual reset protector
- Fan delay prevents cold air delivery as element heats up and provides warm air delivery as element cools down
- Operates on 240 VAC or 208 VAC
- Factory-wired wattages (easy field conversion to half-wattage): 2000W (Model 192); 3000W (Model 194); 4000W (Model 198).

#### HOUSING:

- Sturdy, 22 gauge steel construction finish with black, epoxy paint
- Mounts directly to wall studs in new or existing construction
- Furnished with a housing mask – prevents construction damage to roughed-in units
- Can be recess or surface mounted (surface mounting requires Model 85 Kit)

#### ACCESSORIES: (Purchase separately)

- Model 86W Line-Voltage Thermostat
- Model 85 Surface Mounting Kit
- Model 59W / 59V 60-Minute Timer (for use with Model 192 only)
- Model 61W / 61V 15-Minute Timer (for use with Model 192 only)

### TYPICAL SPECIFICATION

Heater shall be Broan Model 192 (Model 194), (Model 198).

Unit shall have steel housing finished with black, epoxy paint. It will recess (surface) - mounted.

Heater to deliver 2000 watts (Model 192), 3000 watts (Model 194), 4000 watts (Model 198) of fan-forced heat. It must be field-convertible to operate at half-wattage. Heater shall include a manual reset thermal overload protector (and a fan delay). Motor to be permanently lubricated.

Grille will be White in color and made from 18 gauge steel. Unit to be controlled with front-mounted thermostat, Broan Model 86W. A security cover shall be provided so tamper-proof operation can be permitted.

Heater shall be U.L. Listed.



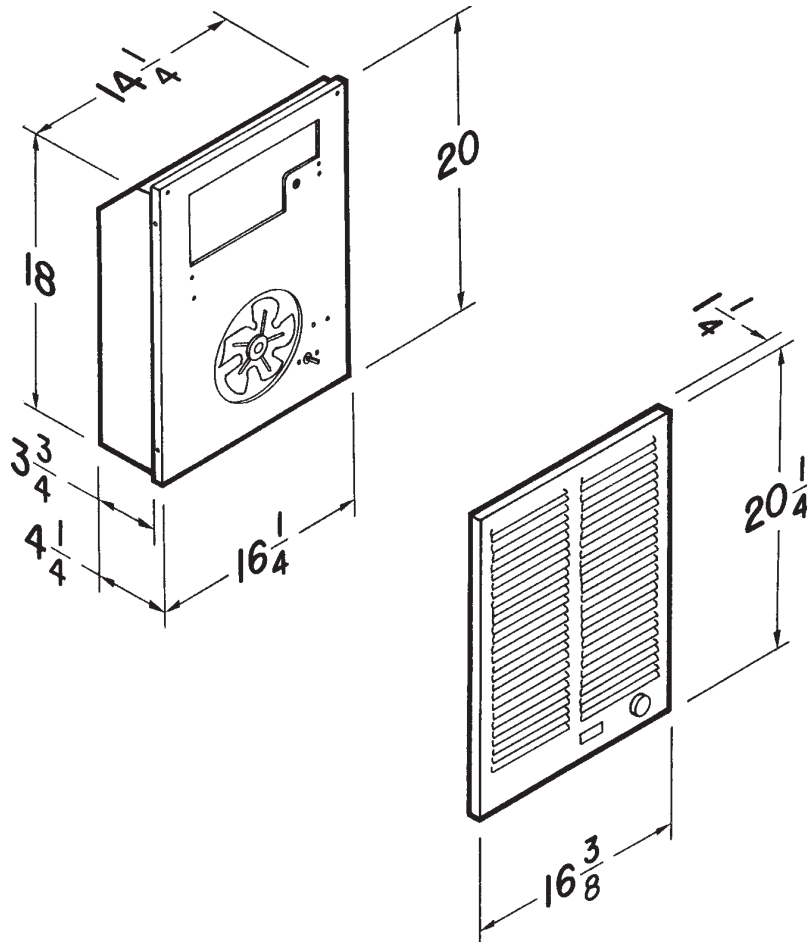
Broan-NuTone LLC, 926 West State Street, Hartford, Wisconsin 53027 (1-800-637-1453)

REFERENCE	QTY.	REMARKS	Project
			Location
			Architect
			Engineer
			Contractor
			Submitted by <span style="float: right;">Date</span>

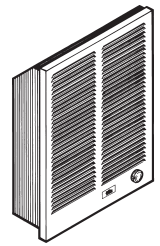
# PERFORMANCE RATINGS – HIGH-CAPACITY WALL HEATERS

MODEL	WATTS	VOLTS	AMPS	BTU/HR	GRILLE	ELEMENT	FAN DELAY	SHIPPING WT. (lbs.)
192	<b>2000</b> / 1000 1500 / 750	<b>240</b> 208	<b>8.3</b> / 4.1 7.2 / 3.6	<b>6827</b> / 3413 5120 / 2560	White	Steel-Sheathed Plate Finned	Yes	23.0
194	<b>3000</b> / 1500 2250 / 1125	<b>240</b> 208	<b>12.5</b> / 6.2 10.8 / 5.4	<b>10240</b> / 5120 7680 / 3840	White	Steel-Sheathed Plate Finned	Yes	23.0
198	<b>4000</b> / 2000 3000 / 1500	<b>240</b> 208	<b>16.7</b> / 8.3 14.4 / 7.2	<b>13653</b> / 6827 10240 / 5120	White	Steel-Sheathed Plate Finned	Yes	23.0

**BOLD** ratings are factory-wired



# HIGH-CAPACITY WALL HEATERS MODELS 192, 194 & 198



**Powerful and reliable for commercial uses yet good looking enough to blend with residential decors.**

### FEATURES

#### GRILLE:

- One-piece, heavy-duty 18 gauge steel with downflow louvers
- White, baked enamel
- Front-mounted thermostat
- Color coordinated thermostat knob
- Thermostat security cover – prohibits tampering

#### HEATER ASSEMBLY:

- Heating Element: Heavy-duty sheath element with steel-plate fins
- Thermostat: Snap-action heavy-duty disc-type
- Motor: Permanently lubricated (Models 192 & 194); Totally enclosed, permanently lubricated (Model 198)
- Thermal Overload: Manual reset protector
- Fan delay prevents cold air delivery as element heats up and provides warm air delivery as element cools down
- Operates on 240 VAC or 208 VAC
- Factory-wired wattages (easy field conversion to half-wattage): 2000W (Model 192); 3000W (Model 194); 4000W (Model 198).

#### HOUSING:

- Sturdy, 22 gauge steel construction finish with black, epoxy paint
- Mounts directly to wall studs in new or existing construction
- Furnished with a housing mask – prevents construction damage to roughed-in units
- Can be recess or surface mounted (surface mounting requires Model 85 Kit)

#### ACCESSORIES: (Purchase separately)

- Model 86W Line-Voltage Thermostat
- Model 85 Surface Mounting Kit
- Model 59W / 59V 60-Minute Timer (for use with Model 192 only)
- Model 61W / 61V 15-Minute Timer (for use with Model 192 only)

### TYPICAL SPECIFICATION

Heater shall be Broan Model 192 (Model 194), (Model 198).

Unit shall have steel housing finished with black, epoxy paint. It will recess (surface) - mounted.

Heater to deliver 2000 watts (Model 192), 3000 watts (Model 194), 4000 watts (Model 198) of fan-forced heat. It must be field-convertible to operate at half-wattage. Heater shall include a manual reset thermal overload protector (and a fan delay). Motor to be permanently lubricated.

Grille will be White in color and made from 18 gauge steel. Unit to be controlled with front-mounted thermostat, Broan Model 86W. A security cover shall be provided so tamper-proof operation can be permitted.

Heater shall be U.L. Listed.



Broan-NuTone LLC, 926 West State Street, Hartford, Wisconsin 53027 (1-800-637-1453)

REFERENCE	QTY.	REMARKS	Project
			Location
			Architect
			Engineer
			Contractor
			Submitted by <span style="float: right;">Date</span>

# PERFORMANCE RATINGS – HIGH-CAPACITY WALL HEATERS

MODEL	WATTS	VOLTS	AMPS	BTU/HR	GRILLE	ELEMENT	FAN DELAY	SHIPPING WT. (lbs.)
192	<b>2000</b> / 1000 1500 / 750	<b>240</b> 208	<b>8.3</b> / 4.1 7.2 / 3.6	<b>6827</b> / 3413 5120 / 2560	White	Steel-Sheathed Plate Finned	Yes	23.0
194	<b>3000</b> / 1500 2250 / 1125	<b>240</b> 208	<b>12.5</b> / 6.2 10.8 / 5.4	<b>10240</b> / 5120 7680 / 3840	White	Steel-Sheathed Plate Finned	Yes	23.0
198	<b>4000</b> / 2000 3000 / 1500	<b>240</b> 208	<b>16.7</b> / 8.3 14.4 / 7.2	<b>13653</b> / 6827 10240 / 5120	White	Steel-Sheathed Plate Finned	Yes	23.0

**BOLD** ratings are factory-wired

