

# FAN-FORCED WALL HEATERS



Broan brings the "designer" look to wall heaters in a wide choice of performance and finish options.

### FEATURES

#### GRILLE:

- Designer-styled, one-piece construction with rounded corners
- White, baked enamel finish
- 20-gauge, with downflow louvers
- Front-mounted thermostat
- Color-coordinated mounting screws and thermostat knob

#### HEATER ASSEMBLY:

- Nickel-chrome resistance alloy heating element
- Mica insulated, zig-zag element configuration
- Snap-action, bi-metallic thermostat
- 120 VAC units can be converted to operate on 240 VAC
- Wattage convertible (except 165F)
- Manual reset thermal overload protector
- Permanently lubricated motor
- High-efficiency blower wheel
- Removable from housing for cleaning or servicing

#### HOUSING:

- 24-gauge steel finished with black epoxy paint
- Removable wiring cover - connect wiring away from tight corners
- Mounts directly to wall studs
- Can be recess or surface-mounted (surface mounting requires Model 84 kit)
- Includes housing mask - to prevent construction damage to roughed-in heater

**Model 171H:** Rough-in housing for use with finish assemblies

**Models 165F, 167F, 170F, 174F, 178F:** Finish assemblies for use with 171H rough-in housing

**Models 165FT, 167FT, 170FT, 174FT, 178FT:** Finish assemblies for use with 171H rough-in housing (Includes built-in thermostat)

ACCESSORIES: (Purchase separately)

- Model 84 Surface-Mounting Kit
- Model 86W Line-Voltage Thermostat
- Model 59V, 59W 60-Minute Timer
- Model 61V, 61W 15-Minute Timer
- Model 83 Integral Thermostat (Use with 165F, 167F, 170F, 174F or 178F Finish assemblies when built-in control is desired)

NOTE: This heater is intended to be used to supply supplemental heat from a wall location in new or existing construction.

### TYPICAL SPECIFICATION

Heater shall be Broan Model 165F, (167F), (170), (170F), (174), (174F), (178), (178F).

Unit shall have steel housing finished with black, epoxy paint. It will be recessed (surface) - mounted.

Heater to deliver 500, (750), (1000), (1500), (2000) watts of fan-forced heat at safe "black" temperatures. It must be wattage-convertible or voltage-selectable. Heater shall include a thermal overload protector with manual reset.

Grille will be White in color and be of 20-gauge, one-piece construction with no sharp edges. Unit to be controlled with front-mount thermostat, (Model 86W - Line-Voltage Thermostat), (Model 59V, 59W-60 Minute Timer), (Model 61V, 61W-15-Minute Timer).

Heater shall be U.L. Listed.



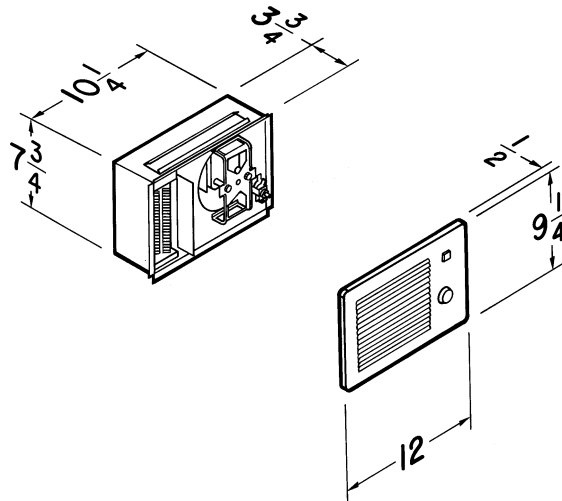
Broan-NuTone LLC, 926 West State Street, Hartford, Wisconsin 53027 (1-800-637-1453)

REFERENCE	QTY.	REMARKS	Project
			Location
			Architect
			Engineer
			Contractor
			Submitted by
			Date

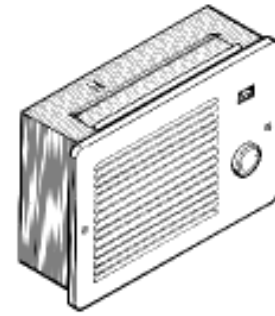
# PERFORMANCE RATINGS — FAN-FORCED WALL HEATERS

MODEL	WATTS	VOLTS	AMPS	BTU/HR.	GRILLE	PACKAGING	SHIPPING WT. (Lbs.)
165F	<b>500</b> 375 500	<b>240</b> 208 120	<b>2.08</b> 1.80 4.16	<b>1707</b> 1280 1707	Off White	Single	5
167F	<b>750 / 1500</b> 11/25 / 562	<b>240</b> 208	<b>3.13 / 6.25</b> 541 / 2.71	<b>2560 / 5120</b> 3840 / 1920	Off White	Single Heater Assembly and Grille Only	5
170	<b>1000 / 500</b> 750 1000	<b>120</b> 208 240	<b>8.3 / 4.1</b> 3.61 4.16	<b>3413 / 1707</b> 2560 3413	Off White	Single	7.5
170F	<b>1000 / 500</b> 750 1000	<b>120</b> 208 240	<b>8.3 / 4.1</b> 3.61 4.16	<b>3413 / 1707</b> 2560 3413	Off White	Single Heater Assembly and Grille Only	5
174	<b>1500 / 750</b> 1125 1500	<b>120</b> 208 240	<b>12.5 / 6.2</b> 5.41 6.25	<b>5120 / 2560</b> 3840 5120	Off White	Single	7.5
174F	<b>1500 / 750</b> 1125 5000	<b>120</b> 208 240	<b>12.5 / 6.2</b> 5.41 6.25	<b>5120 / 2560</b> 3840 5120	Off White	Single Heater Assembly and Grille Only	5
178	<b>2000 / 1000</b> 1500 / 750	<b>240</b> 208	<b>8.3 / 4.1</b> 7.2 / 3.6	<b>6827 / 3413</b> 5120 / 2560	Off White	Single	7.5
178F	<b>2000 / 1000</b> 1500 / 750	<b>240</b> 208	<b>8.3 / 4.1</b> 7.2 / 3.6	<b>6827 / 3413</b> 5120 / 2560	Off White	Single Heater Assembly and Grille Only	5
171H	—	—	—	—	—	4-Pack Rough-In Housings Only	2.4 ea. 11.9 4-Pack

**Bold** ratings are factory-wired.



# FAN-FORCED WALL HEATERS



Broan brings the "designer" look to wall heaters in a wide choice of performance and finish options.

### FEATURES

#### GRILLE:

- Designer-styled, one-piece construction with rounded corners
- White, baked enamel finish
- 20-gauge, with downflow louvers
- Front-mounted thermostat
- Color-coordinated mounting screws and thermostat knob

#### HEATER ASSEMBLY:

- Nickel-chrome resistance alloy heating element
- Mica insulated, zig-zag element configuration
- Snap-action, bi-metallic thermostat
- 120 VAC units can be converted to operate on 240 VAC
- Wattage convertible (except 165F)
- Manual reset thermal overload protector
- Permanently lubricated motor
- High-efficiency blower wheel
- Removable from housing for cleaning or servicing

#### HOUSING:

- 24-gauge steel finished with black epoxy paint
- Removable wiring cover - connect wiring away from tight corners
- Mounts directly to wall studs
- Can be recess or surface-mounted (surface mounting requires Model 84 kit)
- Includes housing mask - to prevent construction damage to roughed-in heater

**Model 171H:** Rough-in housing for use with finish assemblies

**Models 165F, 167F, 170F, 174F, 178F:** Finish assemblies for use with 171H rough-in housing

**Models 165FT, 167FT, 170FT, 174FT, 178FT:** Finish assemblies for use with 171H rough-in housing (Includes built-in thermostat)

ACCESSORIES: (Purchase separately)

- Model 84 Surface-Mounting Kit
- Model 86W Line-Voltage Thermostat
- Model 59V, 59W 60-Minute Timer
- Model 61V, 61W 15-Minute Timer
- Model 83 Integral Thermostat (Use with 165F, 167F, 170F, 174F or 178F Finish assemblies when built-in control is desired)

NOTE: This heater is intended to be used to supply supplemental heat from a wall location in new or existing construction.

### TYPICAL SPECIFICATION

Heater shall be Broan Model 165F, (167F), (170), (170F), (174), (174F), (178), (178F).

Unit shall have steel housing finished with black, epoxy paint. It will be recessed (surface) - mounted.

Heater to deliver 500, (750), (1000), (1500), (2000) watts of fan-forced heat at safe "black" temperatures. It must be wattage-convertible or voltage-selectable. Heater shall include a thermal overload protector with manual reset.

Grille will be White in color and be of 20-gauge, one-piece construction with no sharp edges. Unit to be controlled with front-mount thermostat, (Model 86W - Line-Voltage Thermostat), (Model 59V, 59W-60 Minute Timer), (Model 61V, 61W-15-Minute Timer).

Heater shall be U.L. Listed.



Broan-NuTone LLC, 926 West State Street, Hartford, Wisconsin 53027 (1-800-637-1453)

REFERENCE	QTY.	REMARKS	Project
			Location
			Architect
			Engineer
			Contractor
			Submitted by
			Date

# PERFORMANCE RATINGS — FAN-FORCED WALL HEATERS

MODEL	WATTS	VOLTS	AMPS	BTU/HR.	GRILLE	PACKAGING	SHIPPING WT. (Lbs.)
165F	<b>500</b> 375 500	<b>240</b> 208 120	<b>2.08</b> 1.80 4.16	<b>1707</b> 1280 1707	Off White	Single	5
167F	<b>750 / 1500</b> 11/25 / 562	<b>240</b> 208	<b>3.13 / 6.25</b> 541 / 2.71	<b>2560 / 5120</b> 3840 / 1920	Off White	Single Heater Assembly and Grille Only	5
170	<b>1000 / 500</b> 750 1000	<b>120</b> 208 240	<b>8.3 / 4.1</b> 3.61 4.16	<b>3413 / 1707</b> 2560 3413	Off White	Single	7.5
170F	<b>1000 / 500</b> 750 1000	<b>120</b> 208 240	<b>8.3 / 4.1</b> 3.61 4.16	<b>3413 / 1707</b> 2560 3413	Off White	Single Heater Assembly and Grille Only	5
174	<b>1500 / 750</b> 1125 1500	<b>120</b> 208 240	<b>12.5 / 6.2</b> 5.41 6.25	<b>5120 / 2560</b> 3840 5120	Off White	Single	7.5
174F	<b>1500 / 750</b> 1125 5000	<b>120</b> 208 240	<b>12.5 / 6.2</b> 5.41 6.25	<b>5120 / 2560</b> 3840 5120	Off White	Single Heater Assembly and Grille Only	5
178	<b>2000 / 1000</b> 1500 / 750	<b>240</b> 208	<b>8.3 / 4.1</b> 7.2 / 3.6	<b>6827 / 3413</b> 5120 / 2560	Off White	Single	7.5
178F	<b>2000 / 1000</b> 1500 / 750	<b>240</b> 208	<b>8.3 / 4.1</b> 7.2 / 3.6	<b>6827 / 3413</b> 5120 / 2560	Off White	Single Heater Assembly and Grille Only	5
171H	—	—	—	—	—	4-Pack Rough-In Housings Only	2.4 ea. 11.9 4-Pack

**Bold** ratings are factory-wired.

