

PARALLEL CONDUIT SUPPORT

APPLICATIONS:

Parallel conduit supports are used to mount EMT or Rigid Conduits Parallel to a beam, channel or angle supports.

FEATURES:

Hot Dip Galvanized for added durability and corrosion protection. Provides a secure connection and tight clamping action capable of withstanding heavy loads.

MATERIAL:

Malleable Iron
Galvanized Steel Hardware

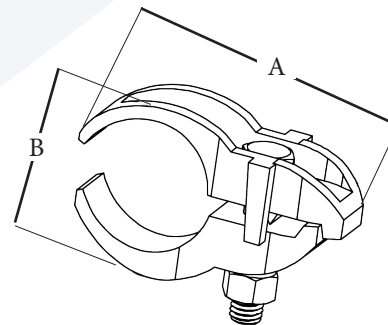
FINISH:

Hot Dip Galvanized



E174011

Conforms to finish thickness
ASTM A123/123M
UL
RoHS
NEMA FB1
Federal Spec. A-A-50553



| Part No. | UPC | Description | Ship Case | Weight Case | A | B |
|----------|-------|---------------------------------|-----------|-------------|------|------|
| 1561HDG | 86737 | 1/2" Parallel Conduit Support | 50 | 29 | 2.80 | 1.42 |
| 1562HDG | 86738 | 3/4" Parallel Conduit Support | 50 | 32 | 2.99 | 1.47 |
| 1563HDG | 86739 | 1" Parallel Conduit Support | 50 | 35 | 3.19 | 1.54 |
| 1564HDG | 86554 | 1-1/4" Parallel Conduit Support | 25 | 18 | 3.39 | 2.01 |
| 1565HDG | 86555 | 1-1/2" Parallel Conduit Support | 25 | 24 | 3.62 | 2.01 |
| 1566HDG | 86556 | 2" Parallel Conduit Support | 25 | 25 | 4.37 | 2.87 |
| 1567HDG | 86557 | 2-1/2" Parallel Conduit Support | 10 | 14 | 5.12 | 3.23 |
| 1568HDG | 86558 | 3" Parallel Conduit Support | 10 | 16 | 5.79 | 4.06 |
| 1569HDG | 86559 | 3-1/2" Parallel Conduit Support | 10 | 19 | 6.26 | 4.53 |
| 1570HDG | 86560 | 4" Parallel Conduit Support | 10 | 22 | 6.46 | 4.61 |

PARALLEL CONDUIT SUPPORT

APPLICATIONS:

Parallel conduit supports are used to mount EMT or Rigid Conduits Parallel to a beam, channel or angle supports.

FEATURES:

Hot Dip Galvanized for added durability and corrosion protection. Provides a secure connection and tight clamping action capable of withstanding heavy loads.

MATERIAL:

Malleable Iron
Galvanized Steel Hardware

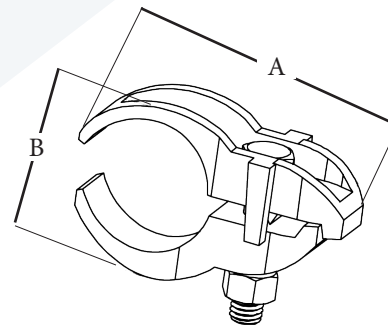
FINISH:

Hot Dip Galvanized



E174011

Conforms to finish thickness
ASTM A123/123M
UL
RoHS
NEMA FB1
Federal Spec. A-A-50553



| Part No. | UPC | Description | Ship Case | Weight Case | A | B |
|----------|-------|---------------------------------|-----------|-------------|------|------|
| 1561HDG | 86737 | 1/2" Parallel Conduit Support | 50 | 29 | 2.80 | 1.42 |
| 1562HDG | 86738 | 3/4" Parallel Conduit Support | 50 | 32 | 2.99 | 1.47 |
| 1563HDG | 86739 | 1" Parallel Conduit Support | 50 | 35 | 3.19 | 1.54 |
| 1564HDG | 86554 | 1-1/4" Parallel Conduit Support | 25 | 18 | 3.39 | 2.01 |
| 1565HDG | 86555 | 1-1/2" Parallel Conduit Support | 25 | 24 | 3.62 | 2.01 |
| 1566HDG | 86556 | 2" Parallel Conduit Support | 25 | 25 | 4.37 | 2.87 |
| 1567HDG | 86557 | 2-1/2" Parallel Conduit Support | 10 | 14 | 5.12 | 3.23 |
| 1568HDG | 86558 | 3" Parallel Conduit Support | 10 | 16 | 5.79 | 4.06 |
| 1569HDG | 86559 | 3-1/2" Parallel Conduit Support | 10 | 19 | 6.26 | 4.53 |
| 1570HDG | 86560 | 4" Parallel Conduit Support | 10 | 22 | 6.46 | 4.61 |