

# HOT DIP GALVANIZED

## RIGHT ANGLE CONDUIT SUPPORT

### APPLICATIONS:

Right-angle conduit clamps are used to mount EMT or rigid conduits across or perpendicular to beam, channel or angle supports

### FEATURES:

Hot Dip Galvanized for added durability and corrosion protection. Provides a secure connection and tight clamping action capable of withstanding heavy loads.

### MATERIAL:

Malleable Iron  
Galvanized Steel Hardware

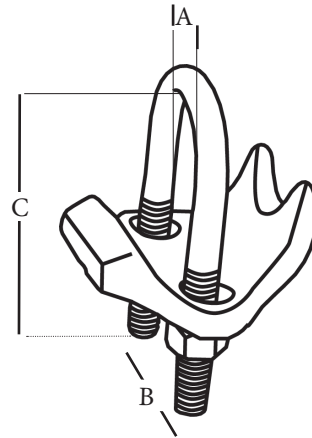
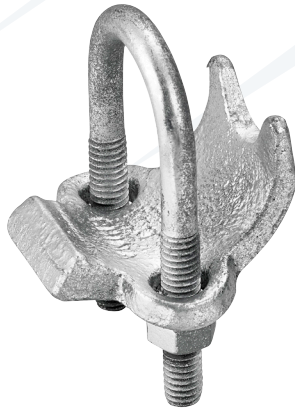
### FINISH:

Hot Dip Galvanized



E174011

Conforms to finish thickness  
ASTM A123/123M  
UL  
RoHS  
NEMA FB1  
Federal Spec. A-A-50553



Part No.	UPC	Description	Ship Case	Weight Case	A	B	C
1551HDG	86579	1/2" Right Angle Conduit Support	50	20	.97	1.24	2.46
1552HDG	86580	3/4" Right Angle Conduit Support	50	22	1.15	1.43	2.76
1553HDG	86581	1" Right Angle Conduit Support	50	24	1.42	1.70	3.01
1554HDG	86582	1-1/4" Right Angle Conduit Support	50	27	1.79	2.07	3.16
1555HDG	86583	1-1/2" Right Angle Conduit Support	50	29	2.04	2.32	3.52
1556HDG	86584	2" Right Angle Conduit Support	25	22	2.49	2.83	4.39
1557HDG	86585	2-1/2" Right Angle Conduit Support	25	27	3.06	3.39	4.75
1558HDG	86586	3" Right Angle Conduit Support	25	28	3.65	3.98	5.38
1559HDG	86587	3-1/2" Right Angle Conduit Support	25	32	4.21	4.55	5.76
1559AHDG	86588	4" Right Angle Conduit Support	25	35	4.69	5.03	6.27

# HOT DIP GALVANIZED

## RIGHT ANGLE CONDUIT SUPPORT

### APPLICATIONS:

Right-angle conduit clamps are used to mount EMT or rigid conduits across or perpendicular to beam, channel or angle supports

### FEATURES:

Hot Dip Galvanized for added durability and corrosion protection. Provides a secure connection and tight clamping action capable of withstanding heavy loads.

### MATERIAL:

Malleable Iron  
Galvanized Steel Hardware

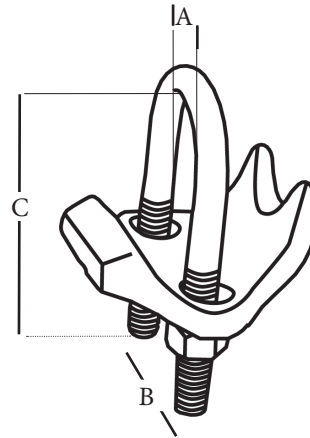
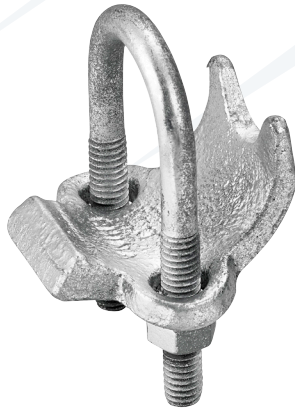
### FINISH:

Hot Dip Galvanized



E174011

Conforms to finish thickness  
ASTM A123/123M  
UL  
RoHS  
NEMA FB1  
Federal Spec. A-A-50553



Part No.	UPC	Description	Ship Case	Weight Case	A	B	C
1551HDG	86579	1/2" Right Angle Conduit Support	50	20	.97	1.24	2.46
1552HDG	86580	3/4" Right Angle Conduit Support	50	22	1.15	1.43	2.76
1553HDG	86581	1" Right Angle Conduit Support	50	24	1.42	1.70	3.01
1554HDG	86582	1-1/4" Right Angle Conduit Support	50	27	1.79	2.07	3.16
1555HDG	86583	1-1/2" Right Angle Conduit Support	50	29	2.04	2.32	3.52
1556HDG	86584	2" Right Angle Conduit Support	25	22	2.49	2.83	4.39
1557HDG	86585	2-1/2" Right Angle Conduit Support	25	27	3.06	3.39	4.75
1558HDG	86586	3" Right Angle Conduit Support	25	28	3.65	3.98	5.38
1559HDG	86587	3-1/2" Right Angle Conduit Support	25	32	4.21	4.55	5.76
1559AHDG	86588	4" Right Angle Conduit Support	25	35	4.69	5.03	6.27