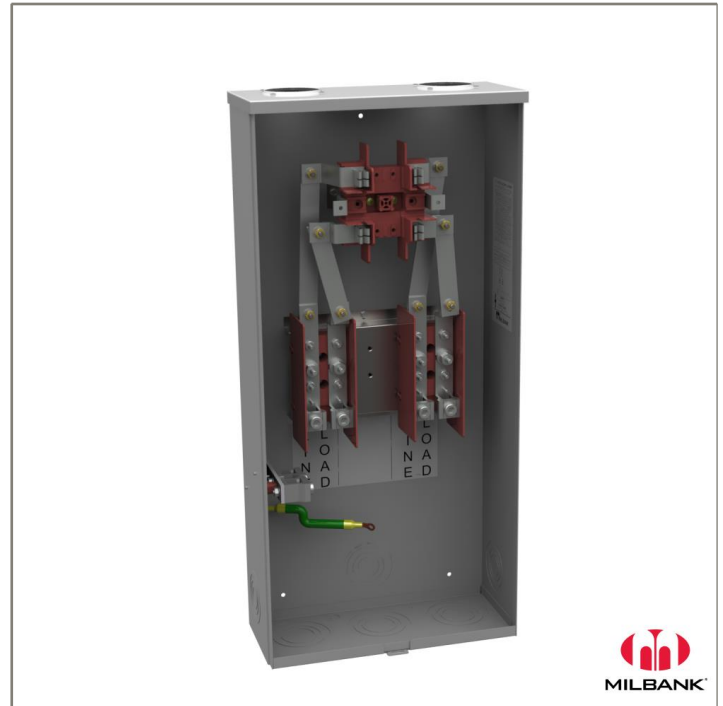




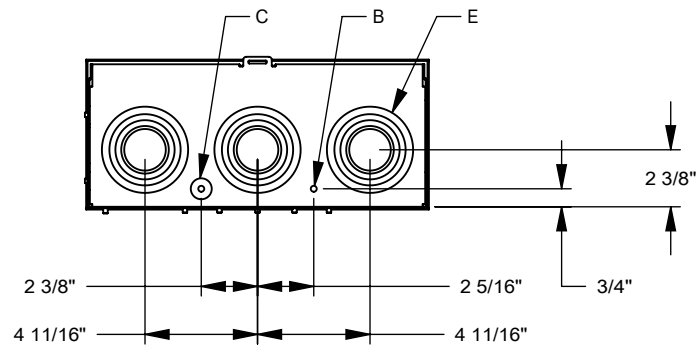
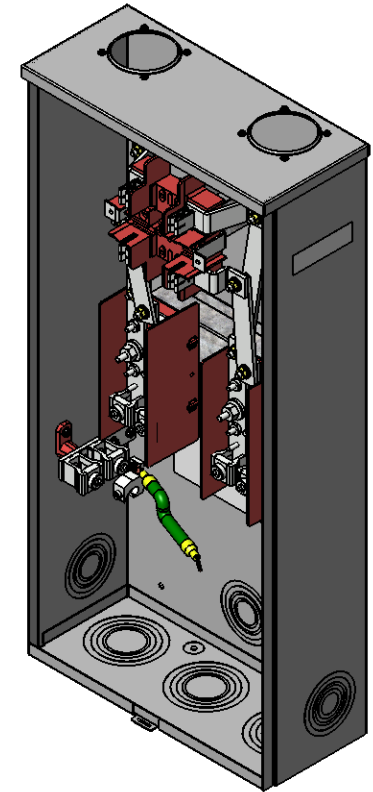
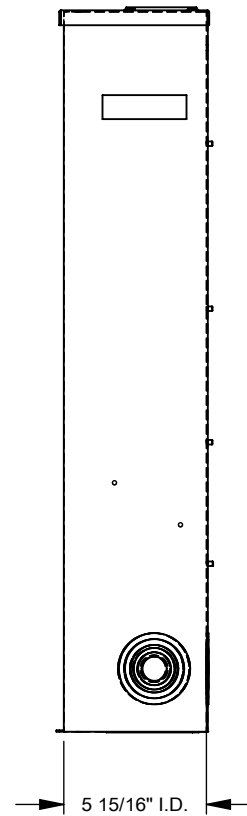
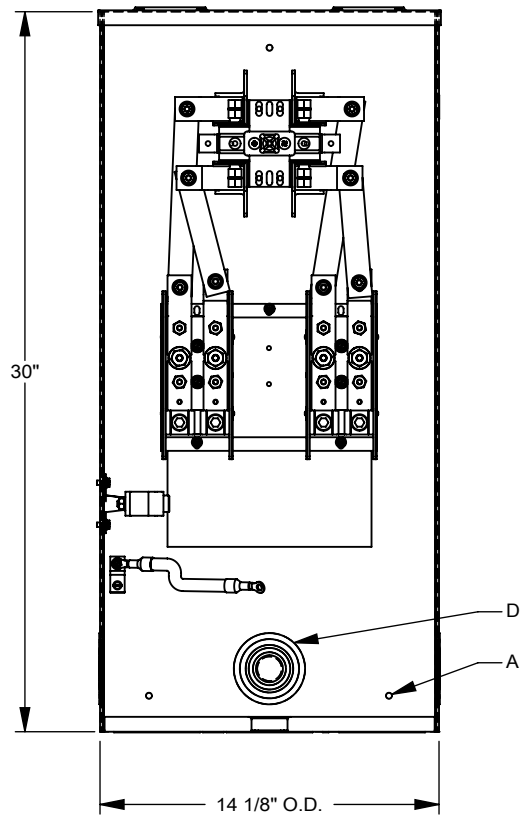
Catalog Number: 124TB
Item Description: 200A 4T RT OU
UPC Code: 784572102453

Brand Name: Milbank
Type: Ring Type Meter Socket
Application: Meter Socket
Standard: UL Listed
Voltage Rating: Up to 240 Volts Alternating Current
Amperage Rating: 200 Continuous Ampere
Phase: 1 Phase
Frequency Rating: 60 Hertz
Number Of Cutouts: 0
Cable Entry: Overhead and Underground
Terminal: Single Mechanical Line Side and Single Mechanical Load Side Connector
Mounting: Surface Mount
Enclosure: Type 3R, G90 Galvanized Steel with Powder Coat Finish



Utility requirements may vary. Always consult the serving utility for their requirements prior to ordering or installing this equipment. This product must always be installed by a licensed electrician. Installation of this equipment may require local electrical inspector approval.

FEATURE TABLE		
ITEM	QTY	DESCRIPTION
A	1	¼ SOLID K.O.
B	1	¼, ½ CONC. K.O.
C	3	¾, 1, 1¼, 1½, 2, 2½ CONC. K.O.
D	3	1¼, 1½, 2, 2½, 3 CONC. K.O.



Version:

1

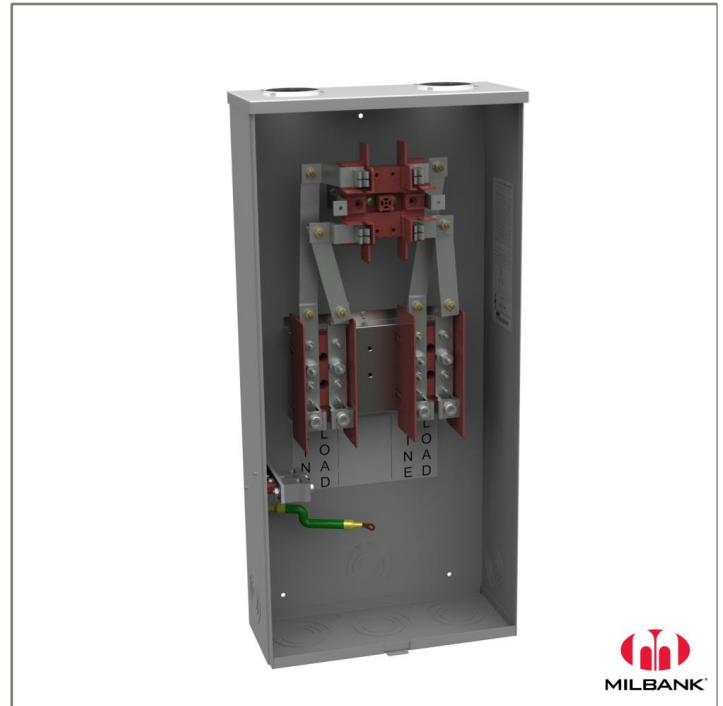
All dimensions are +/- 1/16".
Drawing views are not to scale.

Utility requirements for this equipment may vary. Always consult the serving utility for their requirements prior to ordering or installing this equipment. This product must be installed by a licensed electrician. Installation of this equipment may require local electrical inspector approval.



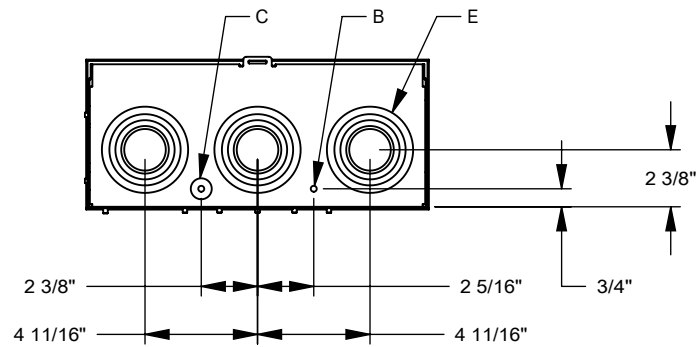
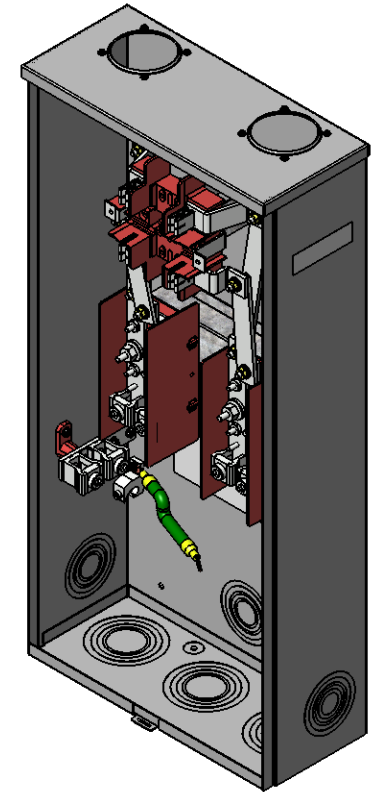
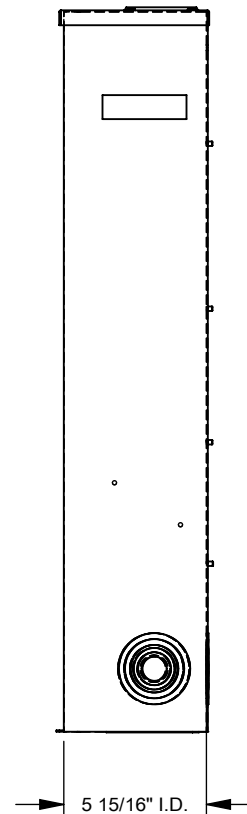
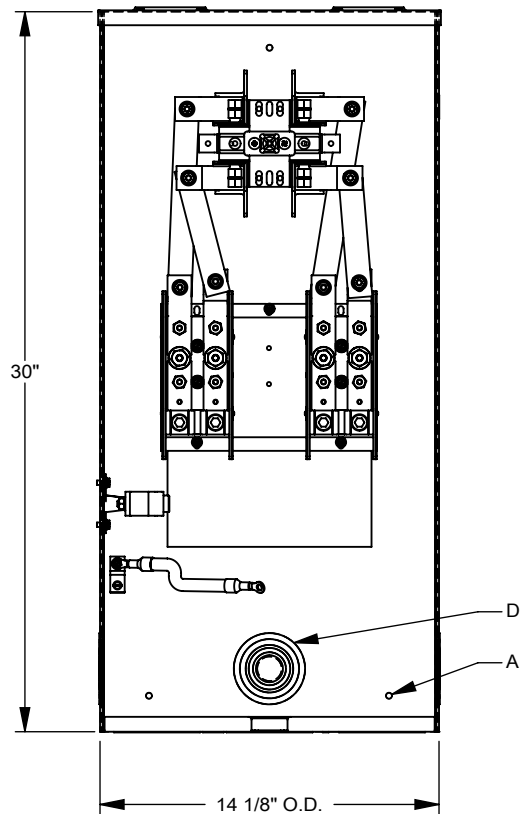
Catalog Number: 124TB
Item Description: 200A 4T RT OU
UPC Code: 784572102453

Brand Name: Milbank
Type: Ring Type Meter Socket
Application: Meter Socket
Standard: UL Listed
Voltage Rating: Up to 240 Volts Alternating Current
Amperage Rating: 200 Continuous Ampere
Phase: 1 Phase
Frequency Rating: 60 Hertz
Number Of Cutouts: 0
Cable Entry: Overhead and Underground
Terminal: Single Mechanical Line Side and Single Mechanical Load Side Connector
Mounting: Surface Mount
Enclosure: Type 3R, G90 Galvanized Steel with Powder Coat Finish



Utility requirements may vary. Always consult the serving utility for their requirements prior to ordering or installing this equipment. This product must always be installed by a licensed electrician. Installation of this equipment may require local electrical inspector approval.

FEATURE TABLE		
ITEM	QTY	DESCRIPTION
A	1	¼ SOLID K.O.
B	1	¼, ½ CONC. K.O.
C	3	¾, 1, 1¼, 1½, 2, 2½ CONC. K.O.
D	3	1¼, 1½, 2, 2½, 3 CONC. K.O.



Version:

1

All dimensions are +/- 1/16".
Drawing views are not to scale.

Utility requirements for this equipment may vary. Always consult the serving utility for their requirements prior to ordering or installing this equipment. This product must be installed by a licensed electrician. Installation of this equipment may require local electrical inspector approval.