



Catalog Number: 12126-SC1-NK  
Item Description: N1 SCREW COVER ENCL NK  
UPC Code: 784572101357

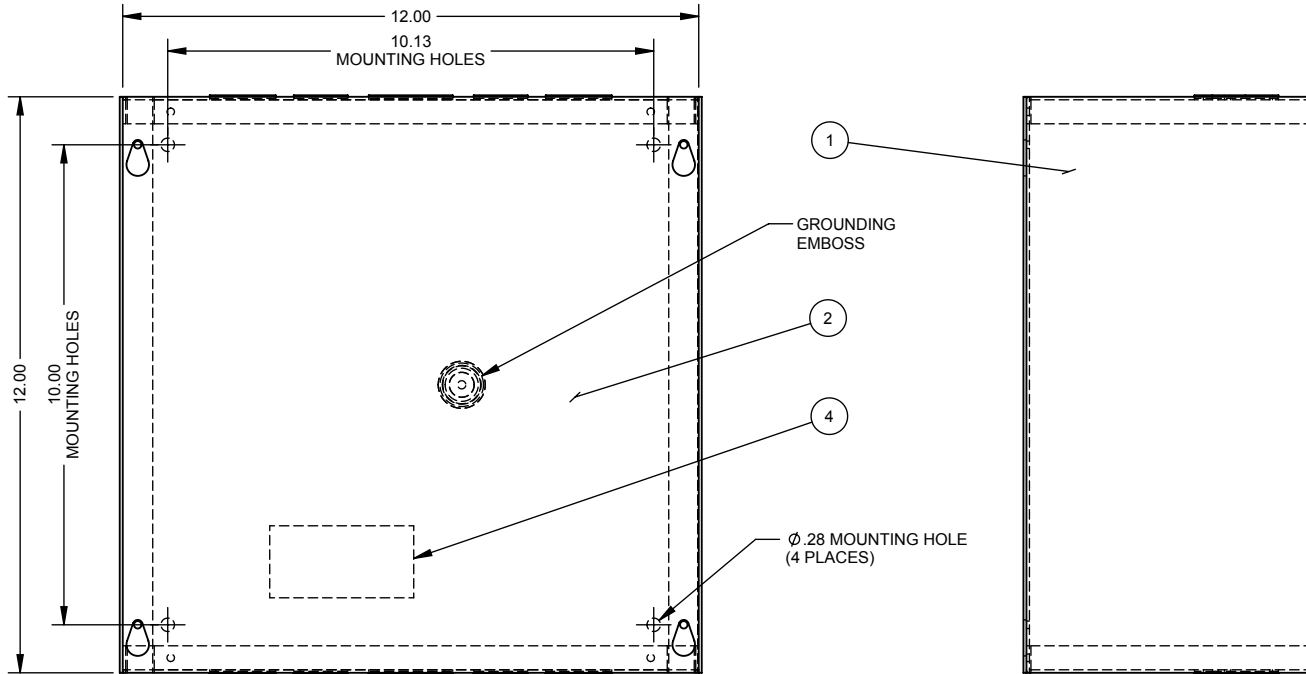
Brand Name: Milbank  
Type: Screw Cover  
Special Features: Cover Secured with Plated Screws  
Application: Enclosure for Mounting Electrical Equipment  
Standard: UL Listed  
Number Of Outlet: 0  
Material: Steel with Powder Coat Finish  
Color: ANSI 61 Gray  
Mounting: Wall Mount  
NEMA Rating: Type 1



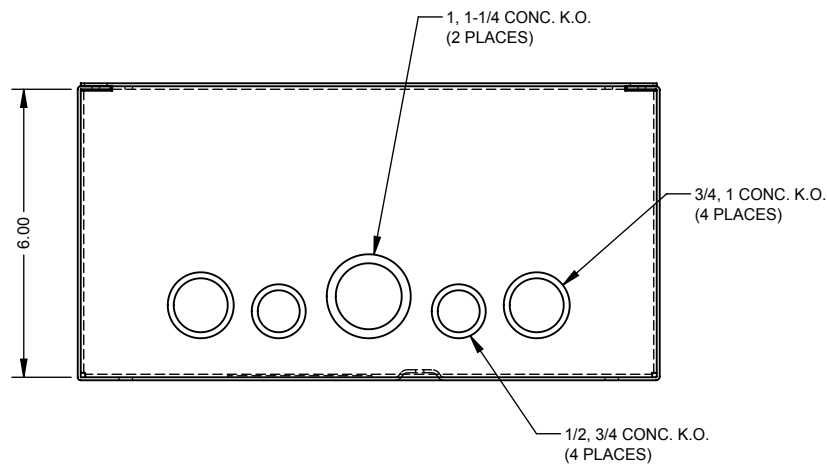
*Utility requirements may vary. Always consult the serving utility for their requirements prior to ordering or installing this equipment. This product must always be installed by a licensed electrician. Installation of this equipment may require local electrical inspector approval.*

CATALOG#	LABEL#
12126-SC1-( )	1002135
RC-12126-SC1-( )	1125021
SPSC-12126( )	1132714

ITEM	QTY.	PART NUMBER	DESCRIPTION
1	1	(SEE CHART)	BACK WELDMENT
2	1	(SEE CHART)	COVER PLATE
3	1	1002646	BAG ASSY, SCREWS (NOT SHOWN)
4	1	(SEE CHART)	U/L LISTING LABEL
5	1	1002475	BAG ASSY (GROUND SCREW)




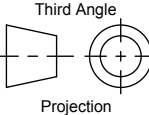
(APPLY INSIDE BACK)



- NOTES:  
 1. PLACE BAG ASS'Y INSIDE ENCLOSURE (NOT SHOWN).  
 2. USE CARTON #1003469 FOR SHIPPING. (3 PER)

SUFFIX	MATERIAL	FINISH	INSTALL K.O.s	WELDMENT NO.	COVER NO.
-SC1	16 GA. GALV. STEEL	MILBANK LIGHT GRAY	YES	1154372	1143515
-SC1-NK			NO	1154373	
-SC1-NP		NONE	YES	1011180	1003265
-SC1-NK-NP		NONE	NO	1154400	
-SC1XA	.064 THK. ALUM.	MILBANK LIGHT GRAY	YES	1154374	1154377
-SC1XA-NK			NO	1154375	
-SC1XA-NP		NONE	YES	1154401	1154376
-SC1XA-NK-NP			NONE	NO	

NEMA DWG.: #132

Material:	16 GA. SEE CHART	 General Offices: Kansas City, MO
Finish:	SEE CHART	
Tolerances: Unless Specified Otherwise X.X ±.1 X.XX ±.03 X.XXX ±.015 X* ±2°		Title:
 Third Angle Projection		12126 SCREW COVER TYPE 1 ENCLOSURE
Scale:	NTS	Catalog No.:
Drawn By:	DY	Customer:
Checked By:		EALER ELECTRIC
Approved By:		Drawing No.:
Date:	04/26/01	Sheet
		1 of 1

G4	7/12/11	CHART VERSIONS (ECO #20957)	DF			
----	---------	-----------------------------	----	--	--	--



Catalog Number: 12126-SC1-NK  
Item Description: N1 SCREW COVER ENCL NK  
UPC Code: 784572101357

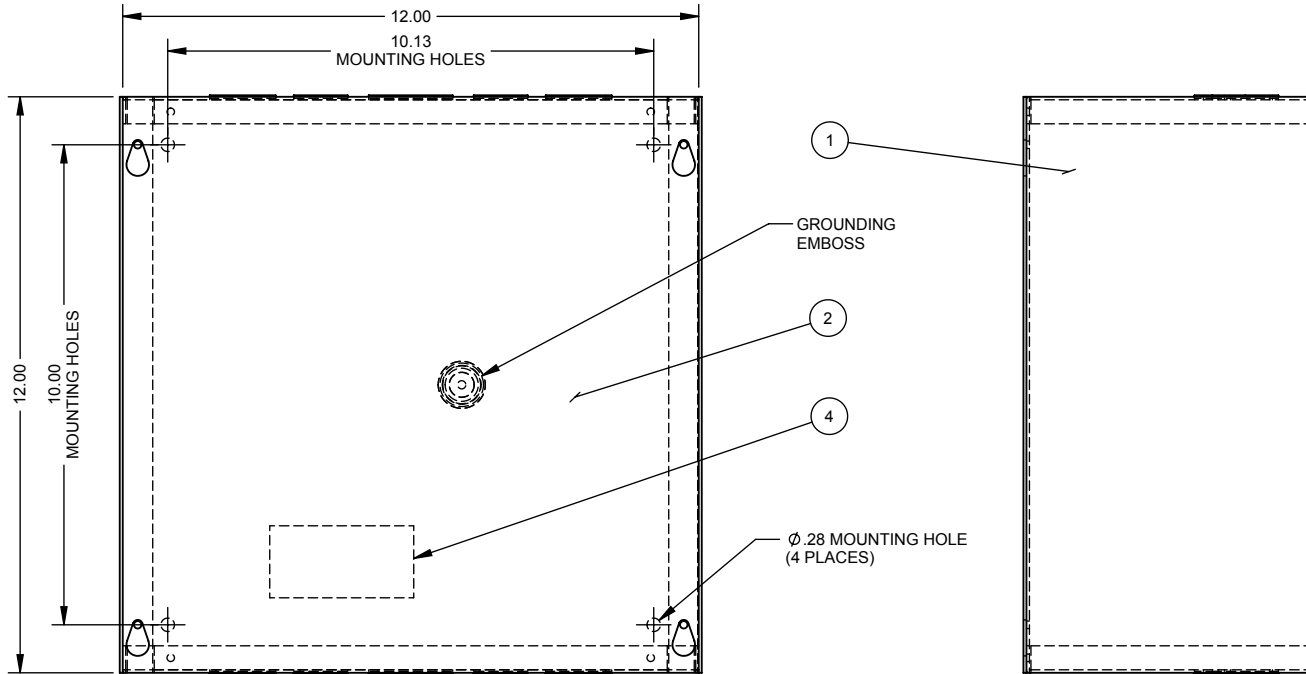
Brand Name: Milbank  
Type: Screw Cover  
Special Features: Cover Secured with Plated Screws  
Application: Enclosure for Mounting Electrical Equipment  
Standard: UL Listed  
Number Of Outlet: 0  
Material: Steel with Powder Coat Finish  
Color: ANSI 61 Gray  
Mounting: Wall Mount  
NEMA Rating: Type 1



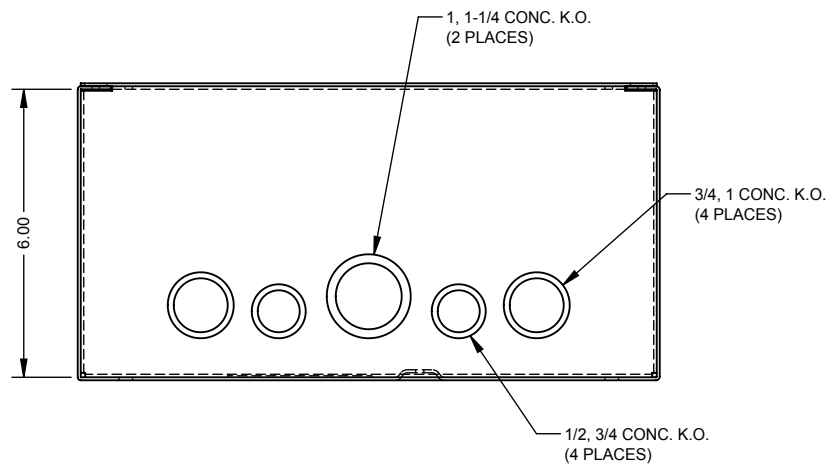
*Utility requirements may vary. Always consult the serving utility for their requirements prior to ordering or installing this equipment. This product must always be installed by a licensed electrician. Installation of this equipment may require local electrical inspector approval.*

CATALOG#	LABEL#
12126-SC1(-)	1002135
RC-12126-SC1(-)	1125021
SPSC-12126(-)	1132714

ITEM	QTY.	PART NUMBER	DESCRIPTION
1	1	(SEE CHART)	BACK WELDMENT
2	1	(SEE CHART)	COVER PLATE
3	1	1002646	BAG ASSY, SCREWS (NOT SHOWN)
4	1	(SEE CHART)	U/L LISTING LABEL
5	1	1002475	BAG ASSY (GROUND SCREW)



(APPLY INSIDE BACK)



- NOTES:  
 1. PLACE BAG ASS'Y INSIDE ENCLOSURE (NOT SHOWN).  
 2. USE CARTON #1003469 FOR SHIPPING. (3 PER)

SUFFIX	MATERIAL	FINISH	INSTALL K.O.s	WELDMENT NO.	COVER NO.
-SC1	16 GA. GALV. STEEL	MILBANK LIGHT GRAY	YES	1154372	1143515
-SC1-NK			NO	1154373	
-SC1-NP		NONE	YES	1011180	1003265
-SC1-NK-NP			NO	1154400	
-SC1XA	.064 THK. ALUM.	MILBANK LIGHT GRAY	YES	1154374	1154377
-SC1XA-NK			NO	1154375	
-SC1XA-NP		NONE	YES	1154401	1154376
-SC1XA-NK-NP			NO	1154402	

NEMA DWG.: #132

Material:	16 GA. SEE CHART		General Offices: Kansas City, MO	
Finish:	SEE CHART		Title:	12126 SCREW COVER TYPE 1 ENCLOSURE
Tolerances: Unless Specified Otherwise X.X ±.1 X.XX ±.03 X.XXX ±.015 X* ±2°			Catalog No.:	(SEE CHART)
		Projection	Customer:	EALER ELECTRIC
Scale:	NTS	Checked By:	Drawing No.:	<b>1001581</b>
Drawn By:	DY	Approved By:	Date:	04/26/01 Sheet 1 of 1

G4	7/12/11	CHART VERSIONS (ECO #20957)	DF			
----	---------	-----------------------------	----	--	--	--