



Catalog Number: 121236-GSC1-NK
Item Description: N1 SCREW CVR GUTTER NK
UPC Code: 784572101074

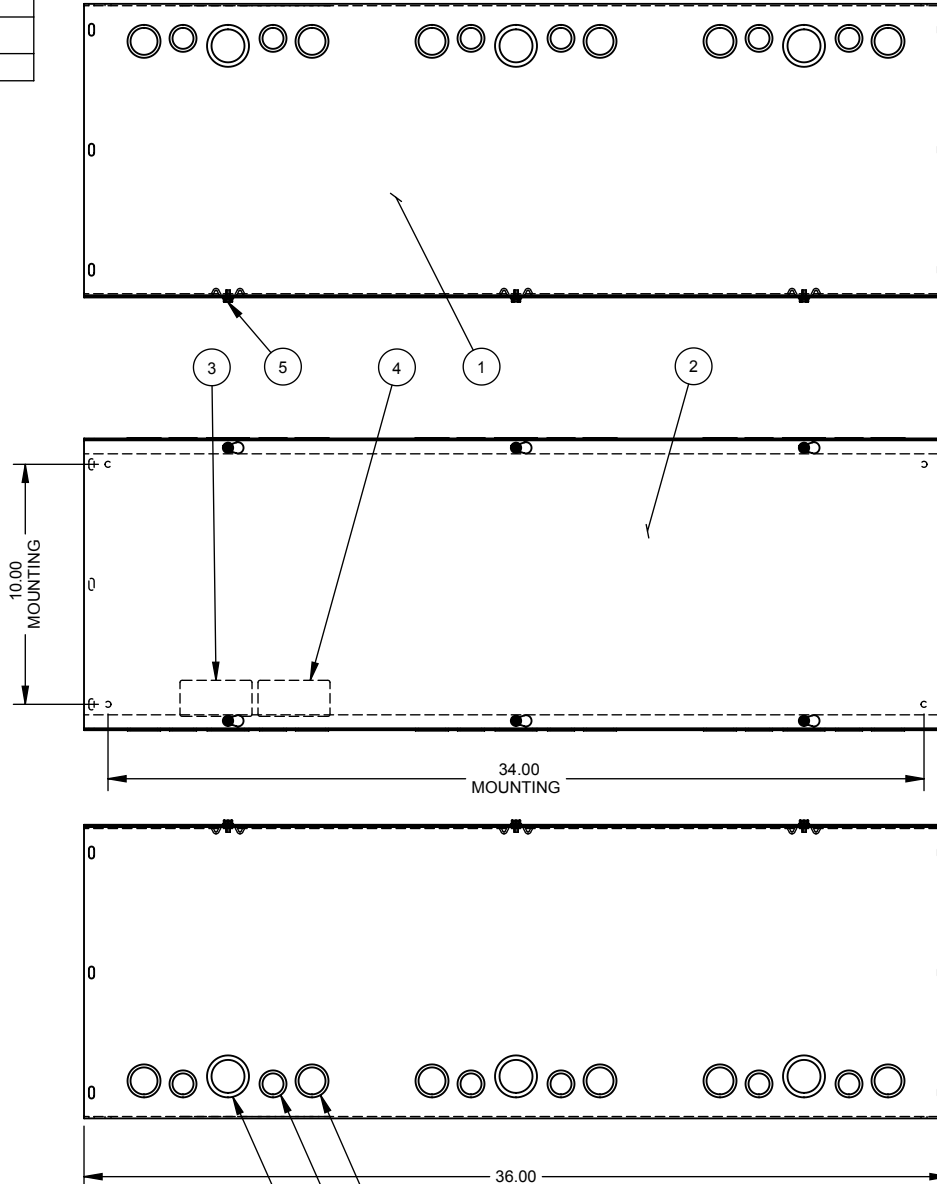
Brand Name: Milbank
Type: Lay In Wireway
Application: Wireway
Standard: UL Listed, Type 1
Cover Type: Screw Cover
Enclosure: Indoor Enclosure
Nominal Cross Section: 12x12
Straight Section Length: 36
Material: Steel with Powder Coat Finish
Finish: ANSI 61 Gray
Knockouts: False



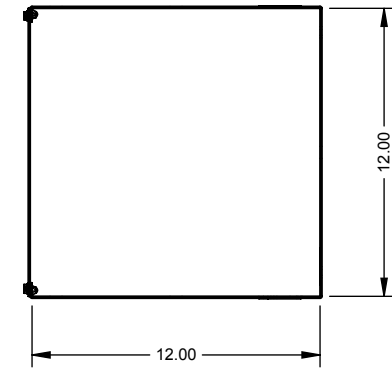
Utility requirements may vary. Always consult the serving utility for their requirements prior to ordering or installing this equipment. This product must always be installed by a licensed electrician. Installation of this equipment may require local electrical inspector approval.

| CATALOG# | LABEL# |
|-------------------|---------|
| 121236-GSC1(-) | 1002943 |
| RC-121236-GSC1(-) | 1125051 |
| SPS-12123N | 1132575 |

| NO. | QTY. | PART NO. | DESCRIPTION |
|-----|------|-------------|----------------------|
| 1 | 1 | (SEE CHART) | BACK |
| 2 | 1 | (SEE CHART) | PLATE/COVER |
| 3 | 1 | (SEE CHART) | UL LABEL, WIREWAY |
| 4 | 1 | 1002923 | LABEL, RATING |
| 5 | 6 | 1001290 | SCREW, 10-32 X 5/16 |
| 6 | 3 | 1002880 | BAG ASSY (NOT SHOWN) |



| SUFFIX | BACK # | COVER # |
|--------|---------|---------|
| -SU | 1129281 | 1011834 |
| -SUC | 1129282 | 1101789 |
| -SO | 1001444 | 1099488 |
| -SUNK | 1010704 | 1011834 |
| -NK | 1099489 | 1099488 |
| -SUNKC | 1129283 | 1101789 |




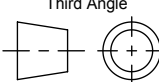
| SUFFIX | FINISH |
|--------|-------------|
| NONE | PAINTED |
| -NP | NOT PAINTED |

NOTE:
1. PLACE BAG ASS'Y INSIDE ENCLOSURE. (NOT SHOWN)

- 3/4, 1 CONC. K.O.
12 PL
- 1/2, 3/4 CONC. K.O.
12 PL
- 1, 1-1/4 CONC. K.O.
6 PL

NEMA DWG.: #264

| REV. | DATE | DESCRIPTION | BY |
|------|---------|---|------|
| C1 | 4/25/08 | ADDED CHART & REMOVED NOTE #2 (ECO.17139) | JLT |
| D | 6/3/09 | 1001290 QTY WAS 4; 1002880 QTY WAS 5 (ECO #18349) | D.F. |
| D1 | 1/21/13 | RENAME DRAWING (ECO #23441) | D.F. |

| | | |
|--|--------------------|---|
| Material: | 14 GA. - SEE CHART |  General Offices: Kansas City, MO |
| Shear/ Die#: | | |
| Finish: | SEE CHART | |
| Part Wt.: | | |
| Tolerances: Unless Specified Otherwise X.X ±.1 X.XX ±.03 X.XXX ±.015 X" ±2" | | Title: SCREW COVER WIREWAY 12 x 12 x 36, TYPE 1 NEMA ENCLOSURE Catalog No.: (SEE CHART) Customer: MILBANK STANDARD Drawing No.: 1001591 |
| Third Angle  | | Date: 03/19/02 Sheet 1 of 1 |
| Scale: | NTS | Checked By: |
| Drawn By: | DY | Approved By: |



Catalog Number: 121236-GSC1-NK
Item Description: N1 SCREW CVR GUTTER NK
UPC Code: 784572101074

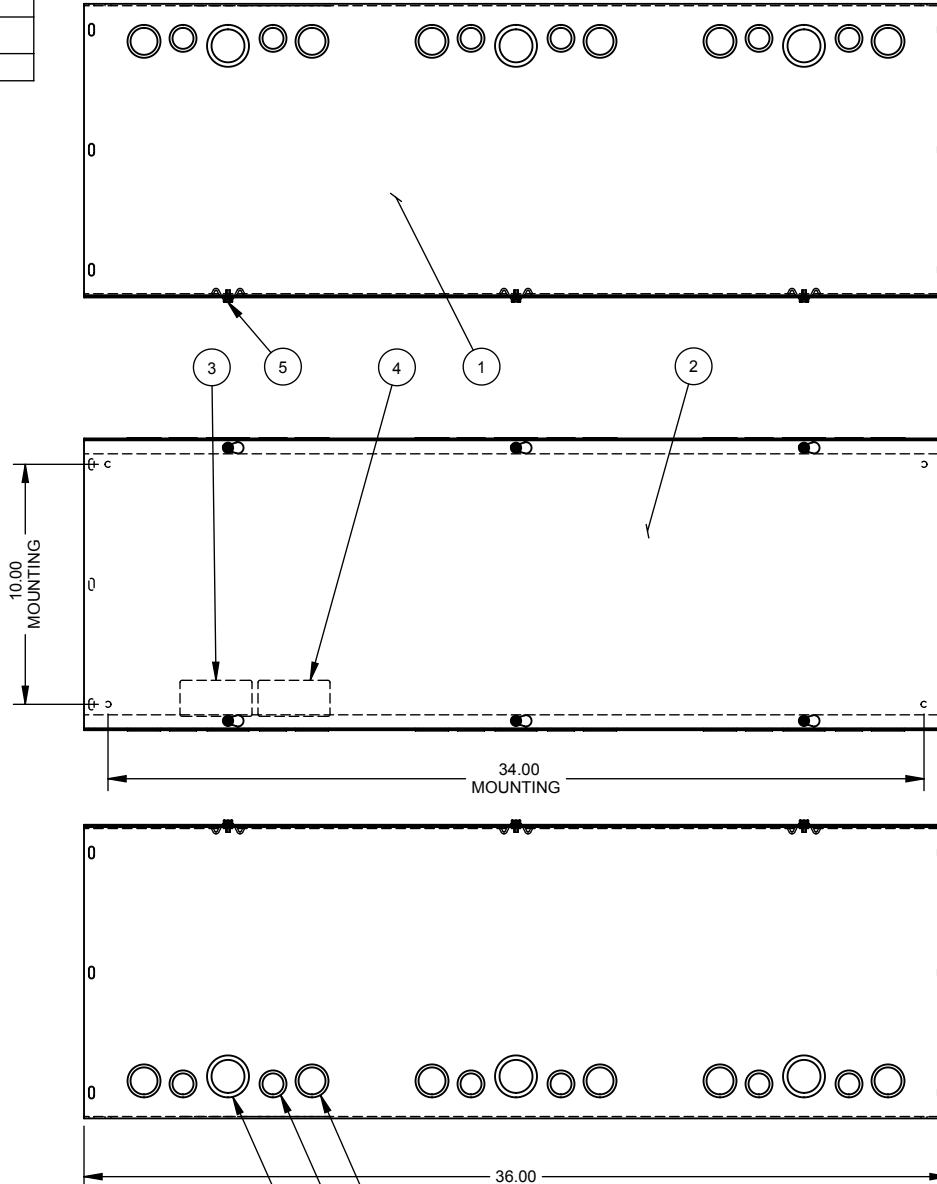
Brand Name: Milbank
Type: Lay In Wireway
Application: Wireway
Standard: UL Listed, Type 1
Cover Type: Screw Cover
Enclosure: Indoor Enclosure
Nominal Cross Section: 12x12
Straight Section Length: 36
Material: Steel with Powder Coat Finish
Finish: ANSI 61 Gray
Knockouts: False



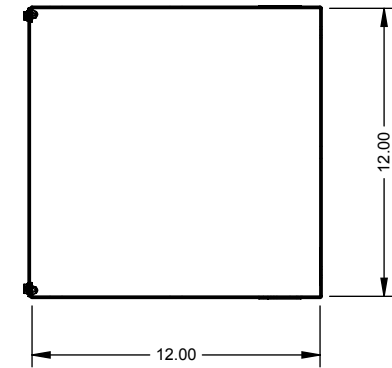
Utility requirements may vary. Always consult the serving utility for their requirements prior to ordering or installing this equipment. This product must always be installed by a licensed electrician. Installation of this equipment may require local electrical inspector approval.

| CATALOG# | LABEL# |
|-------------------|---------|
| 121236-GSC1(-) | 1002943 |
| RC-121236-GSC1(-) | 1125051 |
| SPS-12123N | 1132575 |

| NO. | QTY. | PART NO. | DESCRIPTION |
|-----|------|-------------|----------------------|
| 1 | 1 | (SEE CHART) | BACK |
| 2 | 1 | (SEE CHART) | PLATE/COVER |
| 3 | 1 | (SEE CHART) | UL LABEL, WIREWAY |
| 4 | 1 | 1002923 | LABEL, RATING |
| 5 | 6 | 1001290 | SCREW, 10-32 X 5/16 |
| 6 | 3 | 1002880 | BAG ASSY (NOT SHOWN) |



| SUFFIX | BACK # | COVER # |
|--------|---------|---------|
| -SU | 1129281 | 1011834 |
| -SUC | 1129282 | 1101789 |
| -SO | 1001444 | 1099488 |
| -SUNK | 1010704 | 1011834 |
| -NK | 1099489 | 1099488 |
| -SUNKC | 1129283 | 1101789 |




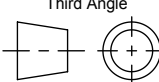
| SUFFIX | FINISH |
|--------|-------------|
| NONE | PAINTED |
| -NP | NOT PAINTED |

NOTE:
1. PLACE BAG ASS'Y INSIDE ENCLOSURE. (NOT SHOWN)

- 3/4, 1 CONC. K.O.
12 PL
- 1/2, 3/4 CONC. K.O.
12 PL
- 1, 1-1/4 CONC. K.O.
6 PL

NEMA DWG.: #264

| REV. | DATE | DESCRIPTION | BY |
|------|---------|---|------|
| C1 | 4/25/08 | ADDED CHART & REMOVED NOTE #2 (ECO.17139) | JLT |
| D | 6/3/09 | 1001290 QTY WAS 4; 1002880 QTY WAS 5 (ECO #18349) | D.F. |
| D1 | 1/21/13 | RENAME DRAWING (ECO #23441) | D.F. |

| | | | |
|--|--------------------|---|---|
| Material: | 14 GA. - SEE CHART |  <p>General Offices: Kansas City, MO</p> | |
| Shear/ Die#: | | | |
| Finish: | SEE CHART | Title: | SCREW COVER WIREWAY 12 x 12 x 36, TYPE 1 NEMA ENCLOSURE |
| Part Wt.: | | Catalog No.: | (SEE CHART) |
| Tolerances: Unless Specified Otherwise X.X ±.1 X.XX ±.03 X.XXX ±.015 X" ±2" | | Customer: | MILBANK STANDARD |
| Third Angle  | | Drawing No.: | 1001591 |
| Scale: | NTS | Date: | 03/19/02 |
| Checked By: | | Sheet | 1 of 1 |
| Drawn By: | DY | Approved By: | |