



Catalog Number: 1212120-GSC1-NK
Item Description: N1 SCREW CVR GUTTER NK
UPC Code: 784572247062

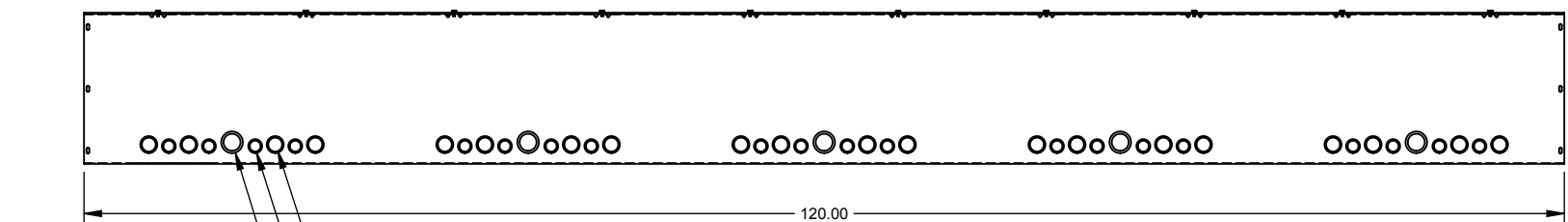
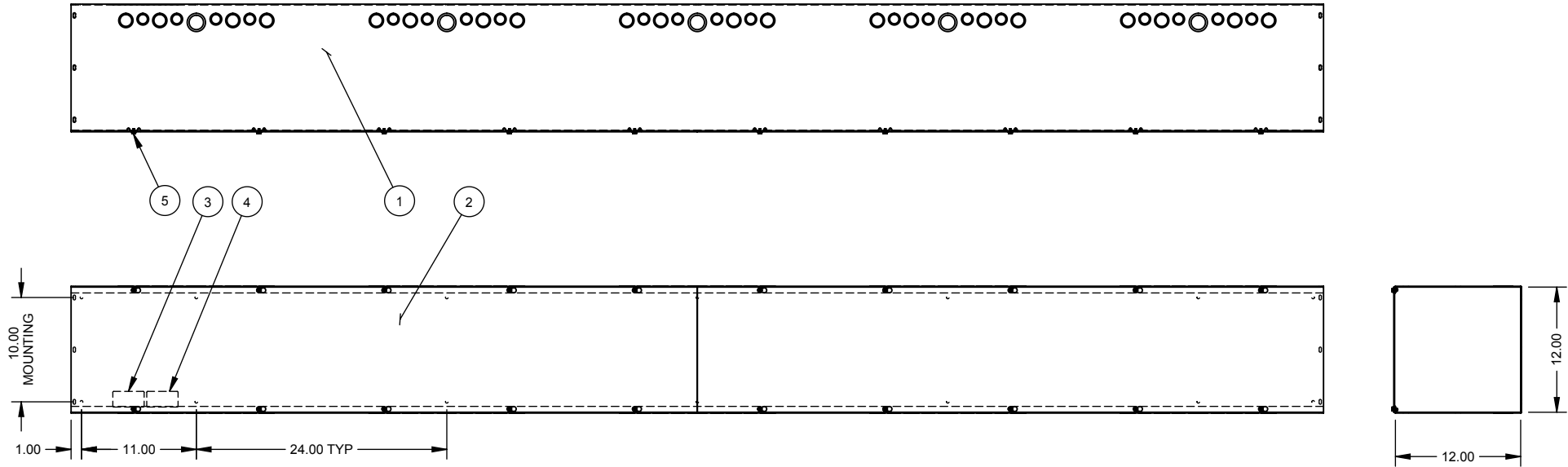
Brand Name: Milbank
Type: Lay In Wireway
Application: Wireway
Standard: UL Listed, Type 1
Cover Type: Screw Cover
Enclosure: Indoor Enclosure
Nominal Cross Section: 12x12
Straight Section Length: 120
Material: Steel with Powder Coat Finish
Finish: ANSI 61 Gray
Knockouts: False



Utility requirements may vary. Always consult the serving utility for their requirements prior to ordering or installing this equipment. This product must always be installed by a licensed electrician. Installation of this equipment may require local electrical inspector approval.

CATALOG#	LABEL#
1212120-GSC1-()	1002943
RC-1212120-GSC1-()	1125051
SPS-121210N	1132575

ITEM	QTY.	PART NUMBER	DESCRIPTION
1	1	(SEE CHART)	BACK
2	2	(SEE CHART)	PLATE/COVER
3	1	(SEE CHART)	UL LABEL, WIREWAY
4	1	1002923	LABEL, RATING
5	20	1001290	SCREW, 10-32 X 5/16
6	5	1002880	BAG ASSY (NOT SHOWN)



- 3/4, 1 CONC. K.O.
40 PL
- 1/2, 3/4 CONC. K.O.
40 PL
- 1, 1-1/4 CONC. K.O.
10 PL


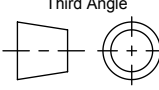
SUFFIX	BACK #	COVER #
-SU	1129292	1002306
-SUC	1129293	1097042
-SO	1090918	1100680
-SUNK	1001952	1002306
-NK	1114374	1100680
-SUNKC	1129294	1097042

SUFFIX	FINISH
NONE	PAINTED
-NP	NOT PAINTED

NOTE:
1. PLACE BAG ASSY INSIDE ENCLOSURE. (NOT SHOWN)

NEMA DWG.: #11033

REV.	DATE	DESCRIPTION	BY
B1	4/24/08	ADDED CHART & REMOVED NOTE #2 (ECO.17139)	JLT
B2	1-23-09	(mECO #17966) QTY. #1002880 WAS 4.	CMW
B3	12/18/12	UPDATE DRAWING NAME (ECO #23306)	D.F.

Material:	14 GA. - SEE CHART	 General Offices: Kansas City, MO
Shear/ Die#:		
Finish:	SEE CHART	
Part Wt.:		
Tolerances: Unless Specified Otherwise X.X ±.1 X.XX ±.03 X.XXX ±.015 X" ±2"		Third Angle 
Title:	SCREW COVER WIREWAY 12 x 12 x 120, TYPE 1 NEMA ENCLOSURE	
Catalog No.:	(SEE CHART)	
Customer:	MILBANK STANDARD	
Drawing No.:	1006589	
Date:	03/19/02	Sheet 1 of 1



Catalog Number: 1212120-GSC1-NK
Item Description: N1 SCREW CVR GUTTER NK
UPC Code: 784572247062

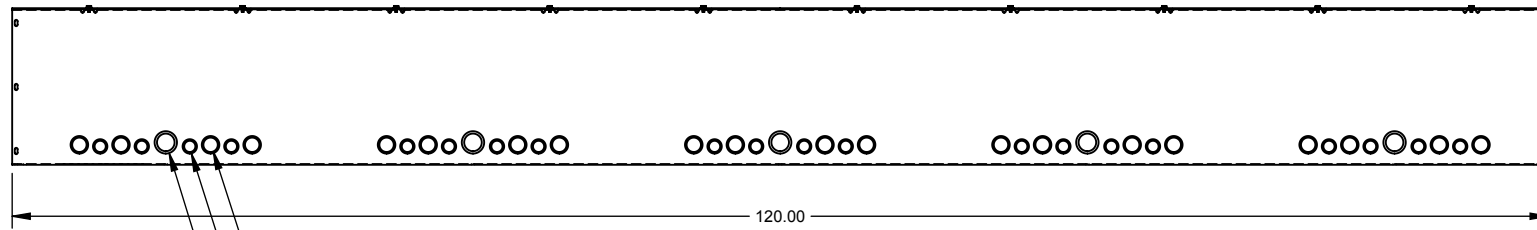
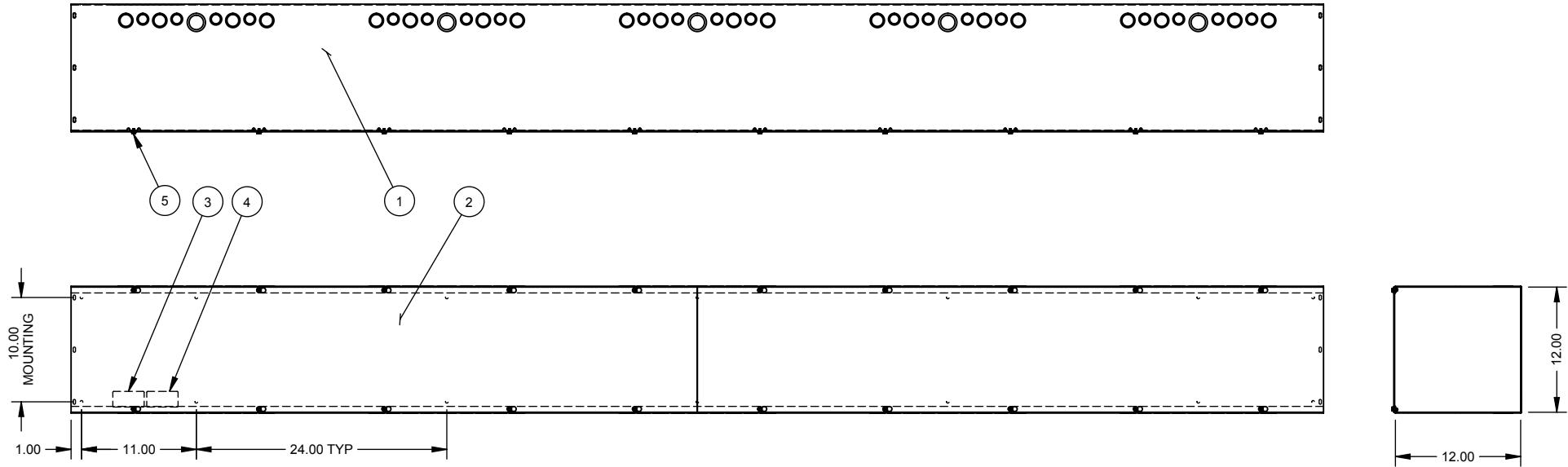
Brand Name: Milbank
Type: Lay In Wireway
Application: Wireway
Standard: UL Listed, Type 1
Cover Type: Screw Cover
Enclosure: Indoor Enclosure
Nominal Cross Section: 12x12
Straight Section Length: 120
Material: Steel with Powder Coat Finish
Finish: ANSI 61 Gray
Knockouts: False



Utility requirements may vary. Always consult the serving utility for their requirements prior to ordering or installing this equipment. This product must always be installed by a licensed electrician. Installation of this equipment may require local electrical inspector approval.

CATALOG#	LABEL#
1212120-GSC1-()	1002943
RC-1212120-GSC1-()	1125051
SPS-121210N	1132575

ITEM	QTY.	PART NUMBER	DESCRIPTION
1	1	(SEE CHART)	BACK
2	2	(SEE CHART)	PLATE/COVER
3	1	(SEE CHART)	UL LABEL, WIREWAY
4	1	1002923	LABEL, RATING
5	20	1001290	SCREW, 10-32 X 5/16
6	5	1002880	BAG ASSY (NOT SHOWN)



- 3/4, 1 CONC. K.O.
40 PL
- 1/2, 3/4 CONC. K.O.
40 PL
- 1, 1-1/4 CONC. K.O.
10 PL


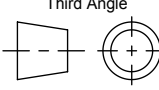
SUFFIX	BACK #	COVER #
-SU	1129292	1002306
-SUC	1129293	1097042
-SO	1090918	1100680
-SUNK	1001952	1002306
-NK	1114374	1100680
-SUNKC	1129294	1097042

SUFFIX	FINISH
NONE	PAINTED
-NP	NOT PAINTED

NOTE:
1. PLACE BAG ASSY INSIDE ENCLOSURE. (NOT SHOWN)

NEMA DWG.: #11033

REV.	DATE	DESCRIPTION	BY
B1	4/24/08	ADDED CHART & REMOVED NOTE #2 (ECO.17139)	JLT
B2	1-23-09	(mECO #17966) QTY. #1002880 WAS 4.	CMW
B3	12/18/12	UPDATE DRAWING NAME (ECO #23306)	D.F.

Material:	14 GA. - SEE CHART		 <p>General Offices: Kansas City, MO</p>	
Shear/ Die#:				
Finish:	SEE CHART			
Part Wt.:				
Tolerances: Unless Specified Otherwise X.X ±.1 X.XX ±.03 X.XXX ±.015 X" ±2"		Third Angle 		
Title:	SCREW COVER WIREWAY 12 x 12 x 120, TYPE 1 NEMA ENCLOSURE		Catalog No.:	(SEE CHART)
Customer:	MILBANK STANDARD		Drawing No.:	1006589
Date:	03/19/02	Sheet	1 of 1	