



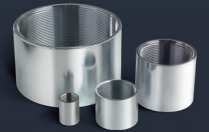
**ECN / KORNS**  
RACEWAY DIVISION

# Buyer's Guide



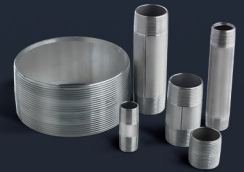
## Elbows

Galvanized  
EMT  
Aluminum



## Couplings

Galvanized  
Aluminum



## Nipples

Galvanized  
Aluminum



## Clamps

Right Angle (RA) Conduit Supports  
Edge Type (ET) Conduit Supports  
One Hole Straps  
Clampback Spacers  
U-Bolts  
SS Hardware  
Parallels (PAR)  
Beam Clamps

*UL Listed and Labeled*

### Rigid Steel Conduit Galvanized Couplings

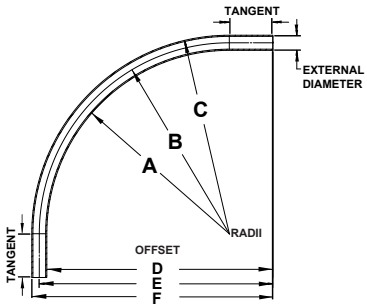
| Catalog Number | Description                 | Weight Per 100 Pieces (lbs) | Standard Carton |
|----------------|-----------------------------|-----------------------------|-----------------|
| GALCPLG1/2     | 1/2" GALVANIZED COUPLINGS   | 12                          | 100             |
| GALCPLG3/4     | 3/4" GALVANIZED COUPLINGS   | 18                          | 50              |
| GALCPLG1       | 1" GALVANIZED COUPLINGS     | 31                          | 50              |
| GALCPLG1-1/4   | 1-1/4" GALVANIZED COUPLINGS | 40                          | 50              |
| GALCPLG1-1/2   | 1-1/2" GALVANIZED COUPLINGS | 52                          | 50              |
| GALCPLG2       | 2" GALVANIZED COUPLINGS     | 73                          | 20              |
| GALCPLG2-1/2   | 2-1/2" GALVANIZED COUPLINGS | 179                         | 12              |
| GALCPLG3       | 3" GALVANIZED COUPLINGS     | 221                         | 12              |
| GALCPLG3-1/2   | 3-1/2" GALVANIZED COUPLINGS | 355                         | 12              |
| GALCPLG4       | 4" GALVANIZED COUPLINGS     | 313                         | 12              |
| GALCPLG5       | 5" GALVANIZED COUPLINGS     | 432                         | BLK             |
| GALCPLG6       | 6" GALVANIZED COUPLINGS     | 730                         | BLK             |

*UL Listed and Labeled*

### Rigid Conduit Standard Radius Elbows

| Catalog Number | Description                | Weight Per 100 Pieces (lbs) | Standard Carton | Radius |
|----------------|----------------------------|-----------------------------|-----------------|--------|
| GALELB1/2X90   | 1/2X90 GALVANIZED ELBOWS   | 75                          | 50              | 4.25"  |
| GALELB3/4X90   | 3/4X90 GALVANIZED ELBOWS   | 109                         | 50              | 4.50"  |
| GALELB1X90     | 1X90 GALVANIZED ELBOWS     | 189                         | 25              | 5.75"  |
| GALELB1-1/4X90 | 1-1/4X90 GALVANIZED ELBOWS | 303                         | 10              | 7.25"  |
| GALELB1-1/2X90 | 1-1/2X90 GALVANIZED ELBOWS | 416                         | 15              | 8.25"  |
| GALELB2X90     | 2X90 GALVANIZED ELBOWS     | 635                         | 10              | 9.50"  |
| GALELB2-1/2X90 | 2-1/2X90 GALVANIZED ELBOWS | 1217                        | BLK             | 10.50" |
| GALELB3X90     | 3X90 GALVANIZED ELBOWS     | 1801                        | BLK             | 13.00" |
| GALELB3-1/2X90 | 3-1/2X90 GALVANIZED ELBOWS | 2684                        | BLK             | 15.00" |
| GALELB4X90     | 4X90 GALVANIZED ELBOWS     | 3166                        | BLK             | 16.00" |
| GALELB5X90     | 5X90 GALVANIZED ELBOWS     | 6339                        | BLK             | 24.00" |
| GALELB6X90     | 6X90 GALVANIZED ELBOWS     | 10575                       | BLK             | 30.00" |
| GALELB1/2X45   | 1/2X45 GALVANIZED ELBOWS   | 64                          | 50              | 4.25"  |
| GALELB3/4X45   | 3/4X45 GALVANIZED ELBOWS   | 93                          | 50              | 4.50"  |
| GALELB1X45     | 1X45 GALVANIZED ELBOWS     | 161                         | 25              | 5.75"  |
| GALELB1-1/4X45 | 1-1/4X45 GALVANIZED ELBOWS | 258                         | 10              | 7.25"  |
| GALELB1-1/2X45 | 1-1/2X45 GALVANIZED ELBOWS | 354                         | 15              | 8.25"  |
| GALELB2X45     | 2X45 GALVANIZED ELBOWS     | 540                         | 10              | 9.50"  |
| GALELB2-1/2X45 | 2-1/2X45 GALVANIZED ELBOWS | 1034                        | BLK             | 10.50" |
| GALELB3X45     | 3X45 GALVANIZED ELBOWS     | 1531                        | BLK             | 13.00" |
| GALELB3-1/2X45 | 3-1/2X45 GALVANIZED ELBOWS | 2281                        | BLK             | 15.00" |
| GALELB4X45     | 4X45 GALVANIZED ELBOWS     | 2691                        | BLK             | 16.00" |
| GALELB5X45     | 5X45 GALVANIZED ELBOWS     | 5388                        | BLK             | 24.00" |
| GALELB6X45     | 6X45 GALVANIZED ELBOWS     | 8989                        | BLK             | 30.00" |

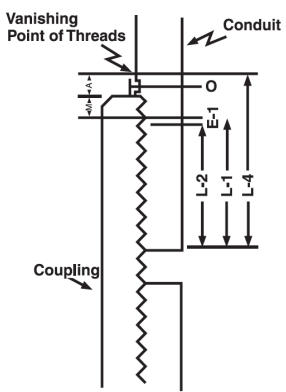
Weights shown are approximate for 90° elbows. To arrive at weights for 45° elbows deduct 15%. Sizes 2-1/2 " and larger shipped in palletized cartons or bulk, thread protectors each end and ECN/Korns identifying label.



### Conduit 90° Standard Radius Elbows

| Nominal Size (in.) | Diameters      |                | Unbent Length (in.) | Radii   |         |         | Offset  |         |         | Tangent (in.) | Steel Approx. Weight per 100 Pieces (lbs.) |
|--------------------|----------------|----------------|---------------------|---------|---------|---------|---------|---------|---------|---------------|--|
|                    | External (in.) | Internal (in.) |                     | A (in.) | B (in.) | C (in.) | D (in.) | E (in.) | F (in.) |               |  |
| 1/2                | .840           | .622           | 11¼                 | 3.83    | 4.25    | 4.67    | 6.08    | 6.50    | 6.92    | 2.25          | 75   |
| 3/4                | 1.050          | .824           | 12½                 | 3.98    | 4.50    | 5.03    | 6.73    | 7.25    | 7.78    | 2.75          | 111  |
| 1                  | 1.315          | 1.049          | 14¾                 | 5.09    | 5.75    | 6.41    | 8.00    | 8.625   | 9.285   | 2.875         | 195  |
| 1 1/4              | 1.660          | 1.380          | 17¾                 | 6.42    | 7.25    | 8.08    | 9.607   | 10.437  | 11.267  | 3.187         | 320  |
| 1 1/2              | 1.900          | 1.610          | 19¾                 | 7.30    | 8.25    | 9.20    | 10.675  | 11.625  | 12.575  | 3.375         | 423  |
| 2                  | 2.375          | 2.067          | 22½                 | 8.31    | 9.50    | 10.69   | 12.123  | 13.313  | 14.50   | 3.813         | 671  |
| 2 1/2              | 2.875          | 2.469          | 28                  | 9.06    | 10.50   | 11.94   | 14.81   | 16.25   | 17.69   | 5.753         | 1,288                                      |
| 3                  | 3.500          | 3.068          | 32                  | 11.25   | 13.00   | 14.75   | 17.00   | 18.75   | 20.50   | 5.753         | 1,926                                      |
| 3 1/2              | 4.000          | 3.548          | 39½                 | 13.00   | 15.00   | 17.00   | 20.97   | 22.97   | 24.97   | 7.96          | 2,853                                      |
| 4                  | 4.500          | 4.026          | 39½                 | 13.75   | 16.00   | 18.25   | 20.93   | 23.18   | 25.43   | 7.18          | 3,373                                      |
| 5                  | 5.563          | 5.047          | 59½                 | 21.22   | 24.00   | 26.78   | 32.12   | 34.90   | 37.68   | 10.90         | 7,388                                      |
| 6                  | 6.625          | 6.065          | 76                  | 26.68   | 30.00   | 33.31   | 40.13   | 43.44   | 46.75   | 14.44         | 12,287                                     |

All dimensions are approximate.



### Conduit Thread and Coupling Dimensions

| Conduit      |                        | Threads   |                        |   |  |  | Coupling*   |                          |                                       |
|--------------|------------------------|---|------------------------|---|--|--|---|--------------------------|---------------------------------------|
| Nominal Size | Threads Per Inch (No.) | Length from End of Pipe to Hand-Tight Plane (L-1) | Effective Length (L-2) | Total Length of Threads to Vanish Point (L-4) | Pitch Diameter at End of Thread 3/4" Taper per Ft. | Pitch Diameter at Hand-Tight Plane (E-1) | Length from Hand-Tight Plane to Face Coupling (M) | Dia. of Counter-sink (Q) | Hand-Tight Stand Off Basic Inches (A) |
| 1/2          | 14                     | .5658   | .5337                  | .7815   | .7584  | .7938                                    | .1086   | .840                     | 1½                                    |
| 3/4          | 14                     | .5778   | .5457                  | .7935   | .9677  | 1.0038                                   | .1086   | 1.050                    | 1½                                    |
| 1            | 11-1/2                 | .7217   | .6828                  | .9845   | 1.2136   | 1.2587                                   | .1323   | 1.315                    | 1½                                    |
| 1-1/4        | 11-1/2                 | .7457   | .7068                  | 1.0085  | 1.5571   | 1.6037                                   | .1323   | 1.660                    | 1½                                    |
| 1-1/2        | 11-1/2                 | .7624   | .7235                  | 1.0252  | 1.7961   | 1.8437                                   | .1323   | 1.900                    | 1½                                    |
| 2            | 11-1/2                 | .7954   | .7565                  | 1.0582  | 2.2690   | 2.3187                                   | .1323   | 2.375                    | 1½                                    |
| 2-1/2        | 8                      | 1.1935  | 1.1375                 | 1.5712  | 2.7195   | 2.7941                                   | .1902   | 2.875                    | 1½                                    |
| 3            | 8                      | 1.2560  | 1.2000                 | 1.6337  | 3.3406   | 3.4191                                   | .1902   | 3.500                    | 1½                                    |
| 3-1/2        | 8                      | 1.3060  | 1.2500                 | 1.6837  | 3.8375   | 3.9191                                   | .1902   | 4.000                    | 1½                                    |
| 4            | 8                      | 1.3560  | 1.3000                 | 1.7337  | 4.3344   | 4.4191                                   | .1902   | 4.500                    | 1½                                    |
| 5            | 8                      | 1.4623  | 1.4063                 | 1.8400  | 5.3907   | 5.4821                                   | .1902   | 5.563                    | 1½                                    |
| 6            | 8                      | 1.5685  | 1.5125                 | 1.9462  | 6.4461   | 6.5441                                   | .1902   | 6.625                    | 1½                                    |

\*Couplings are straight tapped.

Tolerance, thread length = ±1 thread. Plus or minus 1 turn is the maximum variation permitted from the gaging face of the working thread gages. This is equivalent to plus or minus 1 and 1/2 turns from basic dimensions, since a variation of plus or minus 1/2 turn from basic dimensions is permitted in working gages.

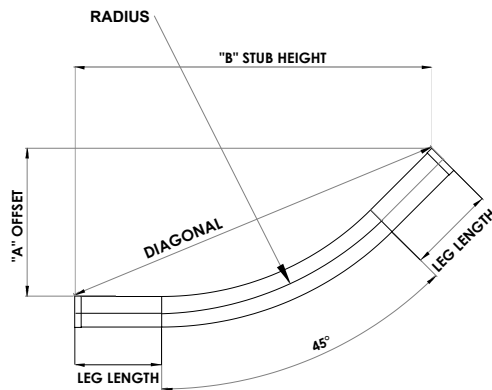
**Galvanized Special Radius Elbows (Factory Mandrel Tested)**

| Catalog Number    | Description                            | App Weight (lbs) | Standard Carton |
|-------------------|--|------------------|-----------------|
| GALELB3/4X90X12   | 3/4X90X12 LG RADIUS GALVANIZED ELBOW   | 4                | BLK             |
| GALELB1X90X12     | 1X90X12 LG RADIUS GALVANIZED ELBOW     | 4                | BLK             |
| GALELB1-1/4X90X12 | 1-1/4X90X12 LG RADIUS GALVANIZED ELBOW | 4                | BLK             |
| GALELB1-1/2X90X12 | 1-1/2X90X12 LG RADIUS GALVANIZED ELBOW | 7                | BLK             |
| GALELB2X90X12     | 2X90X12 LG RADIUS GALVANIZED ELBOW     | 9                | BLK             |
| GALELB1-1/4X90X15 | 1-1/4X90X15 LG RADIUS GALVANIZED ELBOW | 7                | BLK             |
| GALELB1-1/2X90X15 | 1-1/2X90X15 LG RADIUS GALVANIZED ELBOW | 8                | BLK             |
| GALELB2X90X15     | 2X90X15 LG RADIUS GALVANIZED ELBOW     | 11               | BLK             |
| GALELB1X90X18     | 1X90X18 LG RADIUS GALVANIZED ELBOW     | 6                | BLK             |
| GALELB1-1/4X90X18 | 1-1/4X90X18 LG RADIUS GALVANIZED ELBOW | 8                | BLK             |
| GALELB1-1/2X90X18 | 1-1/2X90X18 LG RADIUS GALVANIZED ELBOW | 10               | BLK             |
| GALELB2X90X18     | 2X90X18 LG RADIUS GALVANIZED ELBOW     | 13               | BLK             |
| GALELB2-1/2X90X18 | 2-1/2X90X18LG RADIUS GALVANIZED ELBOW  | 21               | BLK             |
| GALELB3X90X18     | 3X90X18 LG RADIUS GALVANIZED ELBOW     | 25               | BLK             |
| GALELB3-1/2X90X18 | 3-1/2X90X18 LG RADIUS GALVANIZED ELBOW | 34               | BLK             |
| GALELB4X90X18     | 4X90X18 LG RADIUS GALVANIZED ELBOW     | 38               | BLK             |
| GALELB1X90X24     | 1X90X24 LG RADIUS GALVANIZED ELBOW     | 8                | BLK             |
| GALELB1-1/4X90X24 | 1-1/4X90X24 LG RADIUS GALVANIZED ELBOW | 11               | BLK             |
| GALELB1-1/2X90X24 | 1 X90X24 LG RADIUS GALVANIZED ELBOW    | 13               | BLK             |
| GALELB2X90X24     | 2X90X24 LG RADIUS GALVANIZED ELBOW     | 17               | BLK             |
| GALELB2-1/2X90X24 | 2-1/2X90X24 LG RADIUS GALVANIZED ELBOW | 27               | BLK             |
| GALELB3X90X24     | 3X90X24 LG RADIUS GALVANIZED ELBOW     | 35               | BLK             |
| GALELB4X90X24     | 4X90X24 LG RADIUS GALVANIZED ELBOW     | 45               | BLK             |
| GALELB1X90X30     | 1X90X30 LG RADIUS GALVANIZED ELBOW     | 9                | BLK             |
| GALELB1-1/4X90X30 | 1-1/4X90X30 LG RADIUS GALVANIZED ELBOW | 13               | BLK             |
| GALELB1-1/2X90X30 | 1-1/2X90X30 LG RADIUS GALVANIZED ELBOW | 15               | BLK             |
| GALELB2X90X30     | 2X90X30 LG RADIUS GALVANIZED ELBOW     | 20               | BLK             |
| GALELB2-1/2X90X30 | 2-1/2X90X30 LG RADIUS GALVANIZED ELBOW | 32               | BLK             |
| GALELB3X90X30     | 3X90X30 LG RADIUS GALVANIZED ELBOW     | 42               | BLK             |
| GALELB4X90X30     | 4X90X30 LG RADIUS GALVANIZED ELBOW     | 55               | BLK             |
| GALELB5X90X30     | 5X90X30 LG RADIUS GALVANIZED ELBOW     | 77               | BLK             |
| GALELB1X90X36     | 1X90X36 LG RADIUS GALVANIZED ELBOW     | 11               | BLK             |
| GALELB1-1/4X90X36 | 1-1/4X90X36 LG RADIUS GALVANIZED ELBOW | 15               | BLK             |
| GALELB1-1/2X90X36 | 1-1/2X90X36 LG RADIUS GALVANIZED ELBOW | 18               | BLK             |
| GALELB2X90X36     | 2X90X36 LG RADIUS GALVANIZED ELBOW     | 24               | BLK             |
| GALELB2-1/2X90X36 | 2-1/2X90X36 LG RADIUS GALVANIZED ELBOW | 38               | BLK             |
| GALELB3X90X36     | 3X90X36 LG RADIUS GALVANIZED ELBOW     | 49               | BLK             |
| GALELB3-1/2X90X36 | 3-1/2X90X36 LG RADIUS GALVANIZED ELBOW | 58               | BLK             |
| GALELB4X90X36     | 4X90X36 LG RADIUS GALVANIZED ELBOW     | 65               | BLK             |
| GALELB5X90X36     | 5X90X36 LG RADIUS GALVANIZED ELBOW     | 91               | BLK             |
| GALELB6X90X36     | 6X90X36 LG RADIUS GALVANIZED ELBOW     | 123              | BLK             |

**Galvanized Special Radius Elbows (Factory Mandrel Tested)**

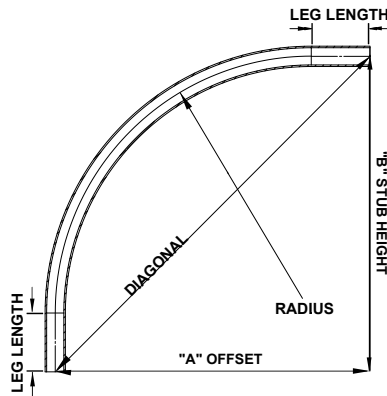
| Catalog Number    | Description                            | App Weight (lbs) | Standard Carton |
|-------------------|--|------------------|-----------------|
| GALELB4X90X42     | 4X90X42 LG RADIUS GALVANIZED ELBOW     | 70               | BLK             |
| GALELB5X90X42     | 5X90X42 LG RADIUS GALVANIZED ELBOW     | 98               | BLK             |
| GALELB1X90X48     | 1X90X48 LG RADIUS GALVANIZED ELBOW     | 14               | BLK             |
| GALELB1-1/4X90X48 | 1-1/4X90X48 LG RADIUS GALVANIZED ELBOW | 18               | BLK             |
| GALELB1-1/2X90X48 | 1-1/2X90X48 LG RADIUS GALVANIZED ELBOW | 22               | BLK             |
| GALELB2X90X48     | 2X90X48 LG RADIUS GALVANIZED ELBOW     | 29               | BLK             |
| GALELB2-1/2X90X48 | 2-1/2X90X48 LG RADIUS GALVANIZED ELBOW | 46               | BLK             |
| GALELB3X90X48     | 3X90X48 LG RADIUS GALVANIZED ELBOW     | 61               | BLK             |
| GALELB3-1/2X90X48 | 3-1/2X90X48 LG RADIUS GALVANIZED ELBOW | 72               | BLK             |
| GALELB4X90X48     | 4X90X48 LG RADIUS GALVANIZED ELBOW     | 80               | BLK             |
| GALELB5X90X48     | 5X90X48 LG RADIUS GALVANIZED ELBOW     | 112              | BLK             |
| GALELB6X90X48     | 6X90X48 LG RADIUS GALVANIZED ELBOW     | 152              | BLK             |
| GALELB4X90X60     | 4X90X60 LG RADIUS GALVANIZED ELBOW     | 96               | BLK             |
| GALELB5X90X60     | 5X90X60 LG RADIUS GALVANIZED ELBOW     | 132              | BLK             |
| GALELB6X90X60     | 6X90X60 LG RADIUS GALVANIZED ELBOW     | 175              | BLK             |

Weights shown are approximate for 90° elbows. To arrive at weights for 60° elbows deduct 10%, for 45° elbows deduct 15% and 30° elbows deduct 20%. Galvanized special radius elbows are available in 45°, 60° and 30°. **All special radius elbows are noncancelable and nonreturnable.**



### Galvanized Special Radius Elbows • 45 Degrees

| Size | Radius          | 12       | 15       | 18       | 24       | 30      | 36       | 42       | 48       | 60       |
|------|-----------------|----------|----------|----------|----------|---------|----------|----------|----------|----------|
| 1    | LEG LENGTH      | 9        | 9        | 10       | 11       | 11      | 11       | 12       | 11-15/16 |          |
|      | UNBENT LENGTH   | 27-7/16  | 29-3/4   | 34-1/8   | 40-7/8   | 45-9/16 | 50-1/4   | 56-15/16 | 61-5/8   |          |
|      | DIAGONAL        | 25-13/16 | 28-1/16  | 32-1/4   | 38-3/4   | 43-5/16 | 47-7/8   | 54-1/4   | 58-7/8   |          |
|      | "A" OFFSET      | 9-7/8    | 10-3/4   | 12-5/16  | 14-13/16 | 16-9/16 | 18-5/16  | 20-3/4   | 22-1/2   |          |
|      | "B" STUB HEIGHT | 23-7/8   | 25-15/16 | 29-13/16 | 35-3/4   | 40      | 44-3/16  | 50-1/8   | 54-3/8   |          |
| 1¼   | LEG LENGTH      | 9        | 9        | 10       | 11       | 11      | 11       | 12       | 11-15/16 |          |
|      | UNBENT LENGTH   | 27-7/16  | 29-3/4   | 34-1/8   | 40-7/8   | 45-9/16 | 50-1/4   | 56-15/16 | 61-5/8   |          |
|      | DIAGONAL        | 25-13/16 | 28-1/16  | 32-1/4   | 38-3/4   | 43-5/16 | 47-7/8   | 54-1/4   | 58-7/8   |          |
|      | "A" OFFSET      | 9-7/8    | 10-3/4   | 12-5/16  | 14-13/16 | 16-9/16 | 18-5/16  | 20-3/4   | 22-1/2   |          |
|      | "B" STUB HEIGHT | 23-7/8   | 25-15/16 | 29-13/16 | 35-3/4   | 40      | 44-3/16  | 50-1/8   | 54-3/8   |          |
| 1½   | LEG LENGTH      | 9        | 9        | 10       | 11       | 11      | 11       | 12       | 11-15/16 |          |
|      | UNBENT LENGTH   | 27-7/16  | 29-3/4   | 34-1/8   | 40-7/8   | 45-9/16 | 50-1/4   | 56-15/16 | 61-5/8   |          |
|      | DIAGONAL        | 25-13/16 | 28-1/16  | 32-1/4   | 38-3/4   | 43-5/16 | 47-7/8   | 54-1/4   | 58-7/8   |          |
|      | "A" OFFSET      | 9-7/8    | 10-3/4   | 12-5/16  | 14-13/16 | 16-9/16 | 18-5/16  | 20-3/4   | 22-1/2   |          |
|      | "B" STUB HEIGHT | 23-7/8   | 25-15/16 | 29-13/16 | 35-3/4   | 40      | 44-3/16  | 50-1/8   | 54-3/8   |          |
| 2    | LEG LENGTH      | 9        | 9        | 10       | 11       | 11      | 11       | 12       | 11-15/16 |          |
|      | UNBENT LENGTH   | 27-7/16  | 29-3/4   | 34-1/8   | 40-7/8   | 45-9/16 | 50-1/4   | 56-15/16 | 61-5/8   |          |
|      | DIAGONAL        | 25-13/16 | 28-1/16  | 32-1/4   | 38-3/4   | 43-5/16 | 47-7/8   | 54-1/4   | 58-7/8   |          |
|      | "A" OFFSET      | 9-7/8    | 10-3/4   | 12-5/16  | 14-13/16 | 16-9/16 | 18-5/16  | 20-3/4   | 22-1/2   |          |
|      | "B" STUB HEIGHT | 23-7/8   | 25-15/16 | 29-13/16 | 35-3/4   | 40      | 44-3/16  | 50-1/8   | 54-3/8   |          |
| 2½   | LEG LENGTH      | 9        | 9        | 10       | 11       | 11      | 11       | 12       | 11-15/16 |          |
|      | UNBENT LENGTH   | 27-7/16  | 29-3/4   | 34-1/8   | 40-7/8   | 45-9/16 | 50-1/4   | 56-15/16 | 61-5/8   |          |
|      | DIAGONAL        | 25-13/16 | 28-1/16  | 32-1/4   | 38-3/4   | 43-5/16 | 47-7/8   | 54-1/4   | 58-7/8   |          |
|      | "A" OFFSET      | 9-7/8    | 10-3/4   | 12-5/16  | 14-13/16 | 16-9/16 | 18-5/16  | 20-3/4   | 22-1/2   |          |
|      | "B" STUB HEIGHT | 23-7/8   | 25-15/16 | 29-13/16 | 35-3/4   | 40      | 44-3/16  | 50-1/8   | 54-3/8   |          |
| 3    | LEG LENGTH      |          | 9        | 10       | 11       | 11      | 11       | 12       | 11-15/16 |          |
|      | UNBENT LENGTH   |          | 29-3/4   | 34-1/8   | 40-7/8   | 45-9/16 | 50-1/4   | 56-15/16 | 61-5/8   |          |
|      | DIAGONAL        |          | 28-1/16  | 32-1/4   | 38-3/4   | 43-5/16 | 47-7/8   | 54-1/4   | 58-7/8   |          |
|      | "A" OFFSET      |          | 10-3/4   | 12-5/16  | 14-13/16 | 16-9/16 | 18-5/16  | 20-3/4   | 22-1/2   |          |
|      | "B" STUB HEIGHT |          | 25-15/16 | 29-13/16 | 35-3/4   | 40      | 44-3/16  | 50-1/8   | 54-3/8   |          |
| 3½   | LEG LENGTH      |          |          | 10       | 11       | 11      | 11       | 12       | 11-15/16 |          |
|      | UNBENT LENGTH   |          |          | 34-1/8   | 40-7/8   | 45-9/16 | 50-1/4   | 56-15/16 | 61-5/8   |          |
|      | DIAGONAL        |          |          | 32-1/4   | 38-3/4   | 43-5/16 | 47-7/8   | 54-1/4   | 58-7/8   |          |
|      | "A" OFFSET      |          |          | 12-5/16  | 14-13/16 | 16-9/16 | 18-5/16  | 20-3/4   | 22-1/2   |          |
|      | "B" STUB HEIGHT |          |          | 29-13/16 | 35-3/4   | 40      | 44-3/16  | 50-1/8   | 54-3/8   |          |
| 4    | LEG LENGTH      |          |          | 10       | 11       | 11      | 11       | 12       | 11-15/16 |          |
|      | UNBENT LENGTH   |          |          | 34-1/8   | 40-7/8   | 45-9/16 | 50-1/4   | 56-15/16 | 61-5/8   |          |
|      | DIAGONAL        |          |          | 32-1/4   | 38-3/4   | 43-5/16 | 47-7/8   | 54-1/4   | 58-7/8   |          |
|      | "A" OFFSET      |          |          | 12-5/16  | 14-13/16 | 16-9/16 | 18-5/16  | 20-3/4   | 22-1/2   |          |
|      | "B" STUB HEIGHT |          |          | 29-13/16 | 35-3/4   | 40      | 44-3/16  | 50-1/8   | 54-3/8   |          |
| 5    | LEG LENGTH      |          |          |          | 11       | 11      | 11       | 12       | 11-15/16 | 12       |
|      | UNBENT LENGTH   |          |          |          | 45-9/16  | 50-1/4  | 56-15/16 | 61-5/8   | 61-5/8   | 71-1/8   |
|      | DIAGONAL        |          |          |          | 43-5/16  | 47-7/8  | 54-1/4   | 58-7/8   | 58-7/8   | 68-1/8   |
|      | "A" OFFSET      |          |          |          | 16-9/16  | 18-5/16 | 20-3/4   | 22-1/2   | 22-1/2   | 26-1/16  |
|      | "B" STUB HEIGHT |          |          |          | 40       | 44-3/16 | 50-1/8   | 54-3/8   | 54-3/8   | 62-15/16 |
| 6    | LEG LENGTH      |          |          |          |          | 11      | 11       | 12       | 11-15/16 | 12       |
|      | UNBENT LENGTH   |          |          |          |          | 50-1/4  | 56-15/16 | 61-5/8   | 61-5/8   | 71-1/8   |
|      | DIAGONAL        |          |          |          |          | 47-7/8  | 54-1/4   | 58-7/8   | 58-7/8   | 68-1/8   |
|      | "A" OFFSET      |          |          |          |          | 18-5/16 | 20-3/4   | 22-1/2   | 22-1/2   | 26-1/16  |
|      | "B" STUB HEIGHT |          |          |          |          | 44-3/16 | 50-1/8   | 54-3/8   | 54-3/8   | 62-15/16 |



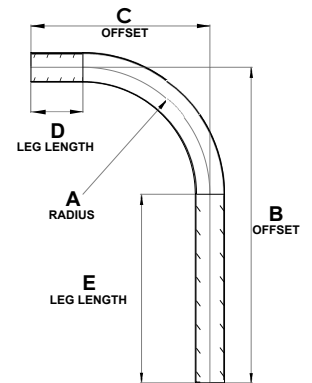
### Galvanized Special Radius Elbows • 90 Degrees

| Size         | Radius          | 12      | 15     | 18      | 24     | 30       | 36      | 42     | 48       | 60      |
|--------------|-----------------|---------|--------|---------|--------|----------|---------|--------|----------|---------|
| <b>1</b>     | LEG LENGTH      | 8-9/16  | 9-1/4  | 9-7/8   | 10-5/8 | 10-15/16 | 10-3/4  | 12     | 13-5/16  |         |
|              | UNBENT LENGTH   | 36      | 42     | 48      | 59     | 69       | 78      | 90     | 102      |         |
|              | DIAGONAL        | 29-1/8  | 34-1/4 | 39-7/16 | 49     | 57-7/8   | 66-1/16 | 76-3/8 | 86-11/16 |         |
|              | "A" OFFSET      | 20-9/16 | 24-1/4 | 27-7/8  | 34-5/8 | 40-15/16 | 46-3/4  | 54     | 61-5/16  |         |
|              | "B" STUB HEIGHT | 20-9/16 | 24-1/4 | 27-7/8  | 34-5/8 | 40-15/16 | 46-3/4  | 54     | 61-5/16  |         |
| <b>1-1/4</b> | LEG LENGTH      | 8-9/16  | 9-1/4  | 9-7/8   | 10-5/8 | 10-15/16 | 10-3/4  | 12     | 13-5/16  |         |
|              | UNBENT LENGTH   | 36      | 42     | 48      | 59     | 69       | 78      | 90     | 102      |         |
|              | DIAGONAL        | 29-1/8  | 34-1/4 | 39-7/16 | 49     | 57-7/8   | 66-1/16 | 76-3/8 | 86-11/16 |         |
|              | "A" OFFSET      | 20-9/16 | 24-1/4 | 27-7/8  | 34-5/8 | 40-15/16 | 46-3/4  | 54     | 61-5/16  |         |
|              | "B" STUB HEIGHT | 20-9/16 | 24-1/4 | 27-7/8  | 34-5/8 | 40-15/16 | 46-3/4  | 54     | 61-5/16  |         |
| <b>1-1/2</b> | LEG LENGTH      | 8-9/16  | 9-1/4  | 9-7/8   | 10-5/8 | 10-15/16 | 10-3/4  | 12     | 13-5/16  |         |
|              | UNBENT LENGTH   | 36      | 42     | 48      | 59     | 69       | 78      | 90     | 102      |         |
|              | DIAGONAL        | 29-1/8  | 34-1/4 | 39-7/16 | 49     | 57-7/8   | 66-1/16 | 76-3/8 | 86-11/16 |         |
|              | "A" OFFSET      | 20-9/16 | 24-1/4 | 27-7/8  | 34-5/8 | 40-15/16 | 46-3/4  | 54     | 61-5/16  |         |
|              | "B" STUB HEIGHT | 20-9/16 | 24-1/4 | 27-7/8  | 34-5/8 | 40-15/16 | 46-3/4  | 54     | 61-5/16  |         |
| <b>2</b>     | LEG LENGTH      | 8-9/16  | 9-1/4  | 9-7/8   | 10-5/8 | 10-15/16 | 10-3/4  | 12     | 13-5/16  |         |
|              | UNBENT LENGTH   | 36      | 42     | 48      | 59     | 69       | 78      | 90     | 102      |         |
|              | DIAGONAL        | 29-1/8  | 34-1/4 | 39-7/16 | 49     | 57-7/8   | 66-1/16 | 76-3/8 | 86-11/16 |         |
|              | "A" OFFSET      | 20-9/16 | 24-1/4 | 27-7/8  | 34-5/8 | 40-15/16 | 46-3/4  | 54     | 61-5/16  |         |
|              | "B" STUB HEIGHT | 20-9/16 | 24-1/4 | 27-7/8  | 34-5/8 | 40-15/16 | 46-3/4  | 54     | 61-5/16  |         |
| <b>2-1/2</b> | LEG LENGTH      | 8-9/16  | 9-1/4  | 9-7/8   | 10-5/8 | 10-15/16 | 10-3/4  | 12     | 13-5/16  |         |
|              | UNBENT LENGTH   | 36      | 42     | 48      | 59     | 69       | 78      | 90     | 102      |         |
|              | DIAGONAL        | 29-1/8  | 34-1/4 | 39-7/16 | 49     | 57-7/8   | 66-1/16 | 76-3/8 | 86-11/16 |         |
|              | "A" OFFSET      | 20-9/16 | 24-1/4 | 27-7/8  | 34-5/8 | 40-15/16 | 46-3/4  | 54     | 61-5/16  |         |
|              | "B" STUB HEIGHT | 20-9/16 | 24-1/4 | 27-7/8  | 34-5/8 | 40-15/16 | 46-3/4  | 54     | 61-5/16  |         |
| <b>3</b>     | LEG LENGTH      |         | 9-1/4  | 9-7/8   | 10-5/8 | 10-15/16 | 10-3/4  | 12     | 13-5/16  |         |
|              | UNBENT LENGTH   |         | 42     | 48      | 59     | 69       | 78      | 90     | 102      |         |
|              | DIAGONAL        |         | 34-1/4 | 39-7/16 | 49     | 57-7/8   | 66-1/16 | 76-3/8 | 86-11/16 |         |
|              | "A" OFFSET      |         | 24-1/4 | 27-7/8  | 34-5/8 | 40-15/16 | 46-3/4  | 54     | 61-5/16  |         |
|              | "B" STUB HEIGHT |         | 24-1/4 | 27-7/8  | 34-5/8 | 40-15/16 | 46-3/4  | 54     | 61-5/16  |         |
| <b>3-1/2</b> | LEG LENGTH      |         |        | 9-7/8   | 10-5/8 | 10-15/16 | 10-3/4  | 12     | 13-5/16  |         |
|              | UNBENT LENGTH   |         |        | 48      | 59     | 69       | 78      | 90     | 102      |         |
|              | DIAGONAL        |         |        | 39-7/16 | 49     | 57-7/8   | 66-1/16 | 76-3/8 | 86-11/16 |         |
|              | "A" OFFSET      |         |        | 27-7/8  | 34-5/8 | 40-15/16 | 46-3/4  | 54     | 61-5/16  |         |
|              | "B" STUB HEIGHT |         |        | 27-7/8  | 34-5/8 | 40-15/16 | 46-3/4  | 54     | 61-5/16  |         |
| <b>4</b>     | LEG LENGTH      |         |        | 9-7/8   | 10-5/8 | 10-15/16 | 10-3/4  | 12     | 13-5/16  |         |
|              | UNBENT LENGTH   |         |        | 48      | 59     | 69       | 78      | 90     | 102      |         |
|              | DIAGONAL        |         |        | 39-7/16 | 49     | 57-7/8   | 66-1/16 | 76-3/8 | 86-11/16 |         |
|              | "A" OFFSET      |         |        | 27-7/8  | 34-5/8 | 40-15/16 | 46-3/4  | 54     | 61-5/16  |         |
|              | "B" STUB HEIGHT |         |        | 27-7/8  | 34-5/8 | 40-15/16 | 46-3/4  | 54     | 61-5/16  |         |
| <b>5</b>     | LEG LENGTH      |         |        |         |        | 10-15/16 | 10-3/4  | 12     | 13-5/16  | 11-7/8  |
|              | UNBENT LENGTH   |         |        |         |        | 69       | 78      | 90     | 102      | 118     |
|              | DIAGONAL        |         |        |         |        | 57-7/8   | 66-1/16 | 76-3/8 | 86-11/16 | 101-1/2 |
|              | "A" OFFSET      |         |        |         |        | 40-15/16 | 46-3/4  | 54     | 61-5/16  | 71-7/8  |
|              | "B" STUB HEIGHT |         |        |         |        | 40-15/16 | 46-3/4  | 54     | 61-5/16  | 71-7/8  |
| <b>6</b>     | LEG LENGTH      |         |        |         |        |          | 10-3/4  | 12     | 13-5/16  | 11-7/8  |
|              | UNBENT LENGTH   |         |        |         |        |          | 78      | 90     | 102      | 118     |
|              | DIAGONAL        |         |        |         |        |          | 66-1/16 | 76-3/8 | 86-11/16 | 101-1/2 |
|              | "A" OFFSET      |         |        |         |        |          | 46-3/4  | 54     | 61-5/16  | 71-7/8  |
|              | "B" STUB HEIGHT |         |        |         |        |          | 46-3/4  | 54     | 61-5/16  | 71-7/8  |

### Galvanized Yard Light Elbows

| Catalog Number     | Description                                 | Weight Per 100 Pieces (lbs) | Standard Carton |
|--------------------|---|-----------------------------|-----------------|
| GALELB-YD-1/2X90   | 1/2" HOT DIP GALVANIZED YARD LIGHT ELBOWS   | 145                         | 25              |
| GALELB-YD-3/4X90   | 3/4" HOT DIP GALVANIZED YARD LIGHT ELBOWS   | 197                         | 25              |
| GALELB-YD-1X90     | 1" HOT DIP GALVANIZED YARD LIGHT ELBOWS     | 316                         | 25              |
| GALELB-YD-1-1/4X90 | 1-1/4" HOT DIP GALVANIZED YARD LIGHT ELBOWS | 495                         | 10              |
| GALELB-YD-1-1/2X90 | 1-1/2" HOT DIP GALVANIZED YARD LIGHT ELBOWS | 615                         | BLK             |
| GALELB-YD-2X90     | 2" HOT DIP GALVANIZED YARD LIGHT ELBOWS     | 975                         | BLK             |
| GALELB-YD-2-1/2X90 | 2-1/2" HOT DIP GALVANIZED YARD LIGHT ELBOWS | 1590                        | BLK             |
| GALELB-YD-3X90     | 3" HOT DIP GALVANIZED YARD LIGHT ELBOWS     | 2380                        | BLK             |
| GALELB-YD-3-1/2X90 | 3-1/2" HOT DIP GALVANIZED YARD LIGHT ELBOWS | 3250                        | BLK             |
| GALELB-YD-4X90     | 4" HOT DIP GALVANIZED YARD LIGHT ELBOWS     | 4030                        | BLK             |

| Nominal Size | A       | B       | C       | D       | E       |
|--------------|---------|---------|---------|---------|---------|
| 1/2"         | 4"      | 18"     | 6-3/16" | 2-3/16" | 14"     |
| 3/4"         | 4-1/2"  | 18"     | 6-3/4"  | 2-1/4"  | 13-1/2" |
| 1"           | 5-3/4"  | 18"     | 8-5/8"  | 2-7/8"  | 12-1/4" |
| 1-1/4"       | 7-1/4"  | 19-1/4" | 10-1/4" | 3-1/4"  | 12-1/4" |
| 1-1/2"       | 8-1/4"  | 20-1/2" | 11-5/8" | 3-3/8"  | 12-1/4" |
| 2"           | 9-1/2"  | 21-1/2" | 14-1/2" | 5"      | 12"     |
| 2-1/2"       | 10-1/2" | 22-1/2" | 16"     | 5-1/2"  | 12"     |
| 3"           | 13"     | 25"     | 19-1/4" | 6-1/4"  | 12"     |
| 3-1/2"       | 15"     | 27"     | 22-3/4" | 7-3/4"  | 12"     |
| 4"           | 16"     | 28"     | 24"     | 8"      | 12"     |



### Meter Risers

| Catalog Number   | Description   |
|------------------|---|
| GALRISERST-TBE-2 | 2"X7' GALVANIZED RIGID, THREADED BOTH ENDS            |
| GALRISERST-TOE-2 | 2"X7' GALVANIZED RIGID, THREADED ONE END              |
| GALRISER45-TBE-2 | 2"X7' 45 DEGREE, GALVANIZED RIGID, THREADED BOTH ENDS |
| GALRISER45-TOE-2 | 2"X7' 45 DEGREE, GALVANIZED RIGID, THREADED ONE END   |
| GALRISERMI-2     | 2"X7' OFFSET, GALVANIZED RIGID, THREADED BOTH ENDS    |

Yard light elbows and Meter risers are noncancelable and nonreturnable.



**Galvanized Conduit Nipples**

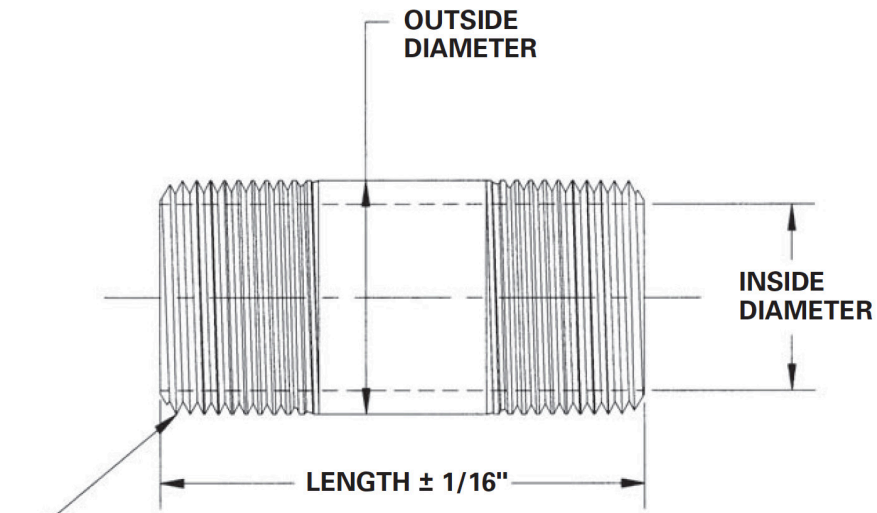
| Catalog Number    | Description                         | Weight Per 100 Pieces (lbs) | Standard Carton |
|-------------------|-------------------------------------|-----------------------------|-----------------|
| GALNIP1/2XCL      | 1/2X1-1/8 CLOSE GALVANIZED NIPPLE   | 6                           | 25              |
| GALNIP3/4XCL      | 3/4X1-3/8 CLOSE GALVANIZED NIPPLE   | 9                           | 25              |
| GALNIP1XCL        | 1X1-1/2 CLOSE GALVANIZED NIPPLE     | 16                          | 25              |
| GALNIP1-1/4XCL    | 1-1/4X1-5/8 CLOSE GALVANIZED NIPPLE | 22                          | 25              |
| GALNIP1-1/2XCL    | 1-1/2X1-3/4 CLOSE GALVANIZED NIPPLE | 28                          | 25              |
| GALNIP2XCL        | 2X2 CLOSE GALVANIZED NIPPLE         | 44                          | 25              |
| GALNIP2-1/2XCL    | 2-1/2X2-1/2 CLOSE GALVANIZED NIPPLE | 84                          | 10              |
| GALNIP3XCL        | 3X2-5/8 CLOSE GALVANIZED NIPPLE     | 118                         | 10              |
| GALNIP3-1/2XCL    | 3-1/2X2-3/4 CLOSE GALVANIZED NIPPLE | 160                         | 10              |
| GALNIP4XCL        | 4X2-7/8 CLOSE GALVANIZED NIPPLE     | 180                         | 10              |
| GALNIP5XCL        | 5X3 CLOSE GALVANIZED NIPPLE         | 240                         | BLK             |
| GALNIP6XCL        | 6X3-1/8 CLOSE GALVANIZED NIPPLE     | 350                         | BLK             |
| GALNIP1/2X1-1/2   | 1/2X1-1/2 GALVANIZED NIPPLE         | 8                           | 25              |
| GALNIP3/4X1-1/2   | 3/4X1-1/2 GALVANIZED NIPPLE         | 10                          | 25              |
| GALNIP1/2X2       | 1/2X2 GALVANIZED NIPPLE             | 12                          | 25              |
| GALNIP3/4X2       | 3/4X2 GALVANIZED NIPPLE             | 14                          | 25              |
| GALNIP1X2         | 1X2 GALVANIZED NIPPLE               | 22                          | 25              |
| GALNIP1-1/4X2     | 1-1/4X2 GALVANIZED NIPPLE           | 28                          | 25              |
| GALNIP1-1/2X2     | 1-1/2X2 GALVANIZED NIPPLE           | 34                          | 25              |
| GALNIP1/2X2-1/2   | 1/2X2-1/2 GALVANIZED NIPPLE         | 15                          | 25              |
| GALNIP3/4X2-1/2   | 3/4X2-1/2 GALVANIZED NIPPLE         | 19                          | 25              |
| GALNIP1X2-1/2     | 1X2-1/2 GALVANIZED NIPPLE           | 28                          | 25              |
| GALNIP1-1/4X2-1/2 | 1-1/4X2-1/2 GALVANIZED NIPPLE       | 37                          | 25              |
| GALNIP1-1/2X2-1/2 | 1-1/2X2-1/2 GALVANIZED NIPPLE       | 44                          | 25              |
| GALNIP2X2-1/2     | 2X2-1/2 GALVANIZED NIPPLE           | 59                          | 25              |
| GALNIP1/2X3       | 1/2X3 GALVANIZED NIPPLE             | 19                          | 25              |
| GALNIP3/4X3       | 3/4X3 GALVANIZED NIPPLE             | 24                          | 25              |
| GALNIP1X3         | 1X3 GALVANIZED NIPPLE               | 36                          | 25              |
| GALNIP1-1/4X3     | 1-1/4X3 GALVANIZED NIPPLE           | 47                          | 25              |
| GALNIP1-1/2X3     | 1-1/2X3 GALVANIZED NIPPLE           | 56                          | 25              |
| GALNIP2X3         | 2X3 GALVANIZED NIPPLE               | 72                          | 25              |
| GALNIP2-1/2X3     | 2-1/2X3 GALVANIZED NIPPLE           | 100                         | 10              |
| GALNIP3X3         | 3X3 GALVANIZED NIPPLE               | 130                         | 10              |
| GALNIP1/2X3-1/2   | 1/2X3 /12 GALVANIZED NIPPLE         | 22                          | 25              |
| GALNIP3/4X3-1/2   | 3/4X3-1/2 GALVANIZED NIPPLE         | 28                          | 25              |
| GALNIP1X3-1/2     | 1X3-1/2 GALVANIZED NIPPLE           | 43                          | 25              |
| GALNIP1-1/4X3-1/2 | 1-1/4X3-1/2 GALVANIZED NIPPLE       | 55                          | 25              |
| GALNIP1-1/2X3-1/2 | 1-1/2X3-1/2 GALVANIZED NIPPLE       | 68                          | 25              |
| GALNIP2X3-1/2     | 2X3-1/2 GALVANIZED NIPPLE           | 88                          | 25              |
| GALNIP2-1/2X3-1/2 | 2-1/2X3-1/2 GALVANIZED NIPPLE       | 120                         | 10              |
| GALNIP3X3-1/2     | 3X3-1/2 GALVANIZED NIPPLE           | 157                         | 10              |

**Galvanized Conduit Nipples**

| Catalog Number | Description               | Weight Per 100 Pieces (lbs) | Standard Carton |
|----------------|---------------------------|-----------------------------|-----------------|
| GALNIP1/2X4    | 1/2X4 GALVANIZED NIPPLE   | 26                          | 25              |
| GALNIP3/4X4    | 3/4X4 GALVANIZED NIPPLE   | 34                          | 25              |
| GALNIP1X4      | 1X4 GALVANIZED NIPPLE     | 49                          | 25              |
| GALNIP1-1/4X4  | 1-1/4X4 GALVANIZED NIPPLE | 66                          | 25              |
| GALNIP1-1/2X4  | 1-1/2X4 GALVANIZED NIPPLE | 80                          | 25              |
| GALNIP2X4      | 2X4 GALVANIZED NIPPLE     | 103                         | 25              |
| GALNIP2-1/2X4  | 2-1/2X4 GALVANIZED NIPPLE | 150                         | 10              |
| GALNIP3X4      | 3X4 GALVANIZED NIPPLE     | 200                         | 10              |
| GALNIP3-1/2X4  | 3-1/2X4 GALVANIZED NIPPLE | 240                         | 5               |
| GALNIP4X4      | 4X4 GALVANIZED NIPPLE     | 285                         | 6               |
| GALNIP1/2X5    | 1/2X5 GALVANIZED NIPPLE   | 33                          | 25              |
| GALNIP3/4X5    | 3/4X5 GALVANIZED NIPPLE   | 43                          | 25              |
| GALNIP1X5      | 1X5 GALVANIZED NIPPLE     | 64                          | 25              |
| GALNIP1-1/4X5  | 1-1/4X5 GALVANIZED NIPPLE | 84                          | 25              |
| GALNIP1-1/2X5  | 1-1/2X5 GALVANIZED NIPPLE | 103                         | 25              |
| GALNIP2X5      | 2X5 GALVANIZED NIPPLE     | 132                         | 25              |
| GALNIP2-1/2X5  | 2-1/2X5 GALVANIZED NIPPLE | 197                         | 10              |
| GALNIP3X5      | 3X5 GALVANIZED NIPPLE     | 260                         | 10              |
| GALNIP3-1/2X5  | 3-1/2X5 GALVANIZED NIPPLE | 320                         | 5               |
| GALNIP4X5      | 4X5 GALVANIZED NIPPLE     | 380                         | 6               |
| GALNIP5X5      | 5X5 GALVANIZED NIPPLE     | 480                         | BLK             |
| GALNIP6X5      | 6X5 GALVANIZED NIPPLE     | 660                         | BLK             |
| GALNIP1/2X6    | 1/2X6 GALVANIZED NIPPLE   | 40                          | 25              |
| GALNIP3/4X6    | 3/4X6 GALVANIZED NIPPLE   | 52                          | 25              |
| GALNIP1X6      | 1X6 GALVANIZED NIPPLE     | 78                          | 25              |
| GALNIP1-1/4X6  | 1-1/4X6 GALVANIZED NIPPLE | 100                         | 25              |
| GALNIP1-1/2X6  | 1-1/2X6 GALVANIZED NIPPLE | 122                         | 25              |
| GALNIP2X6      | 2X6 GALVANIZED NIPPLE     | 160                         | 25              |
| GALNIP2-1/2X6  | 2-1/2X6 GALVANIZED NIPPLE | 240                         | 10              |
| GALNIP3X6      | 3X6 GALVANIZED NIPPLE     | 300                         | 10              |
| GALNIP3-1/2X6  | 3-1/2X6 GALVANIZED NIPPLE | 373                         | 5               |
| GALNIP4X6      | 4X6 GALVANIZED NIPPLE     | 440                         | 5               |
| GALNIP5X6      | 5X6 GALVANIZED NIPPLE     | 600                         | BLK             |
| GALNIP6X6      | 6X6 GALVANIZED NIPPLE     | 820                         | BLK             |
| GALNIP1/2X8    | 1/2X8 GALVANIZED NIPPLE   | 54                          | 25              |
| GALNIP3/4X8    | 3/4X8 GALVANIZED NIPPLE   | 73                          | 25              |
| GALNIP1X8      | 1X8 GALVANIZED NIPPLE     | 109                         | 25              |
| GALNIP1-1/4X8  | 1-1/4X8 GALVANIZED NIPPLE | 136                         | 10              |
| GALNIP1-1/2X8  | 1-1/2X8 GALVANIZED NIPPLE | 170                         | 10              |
| GALNIP2X8      | 2X8 GALVANIZED NIPPLE     | 220                         | 10              |
| GALNIP2-1/2X8  | 2-1/2X8 GALVANIZED NIPPLE | 329                         | 5               |
| GALNIP3X8      | 3X8 GALVANIZED NIPPLE     | 411                         | 5               |
| GALNIP3-1/2X8  | 3-1/2X8 GALVANIZED NIPPLE | 510                         | 5               |
| GALNIP4X8      | 4X8 GALVANIZED NIPPLE     | 600                         | 3               |
| GALNIP5X8      | 5X8 GALVANIZED NIPPLE     | 825                         | BLK             |
| GALNIP6X8      | 6X8 GALVANIZED NIPPLE     | 1125                        | BLK             |

**Galvanized Conduit Nipples**

| Catalog Number | Description                | Weight Per 100 Pieces (lbs) | Standard Carton |
|----------------|----------------------------|-----------------------------|-----------------|
| GALNIP1/2X10   | 1/2X10 GALVANIZED NIPPLE   | 68                          | 25              |
| GALNIP3/4X10   | 3/4X10 GALVANIZED NIPPLE   | 89                          | 25              |
| GALNIP1X10     | 1X10 GALVANIZED NIPPLE     | 138                         | 25              |
| GALNIP1-1/4X10 | 1-1/4X10 GALVANIZED NIPPLE | 176                         | 10              |
| GALNIP1-1/2X10 | 1-1/2X10 GALVANIZED NIPPLE | 216                         | 10              |
| GALNIP2X10     | 2X10 GALVANIZED NIPPLE     | 285                         | 10              |
| GALNIP2-1/2X10 | 2-1/2X10 GALVANIZED NIPPLE | 422                         | 5               |
| GALNIP3X10     | 3X10 GALVANIZED NIPPLE     | 528                         | 5               |
| GALNIP3-1/2X10 | 3-1/2X10 GALVANIZED NIPPLE | 655                         | 4               |
| GALNIP4X10     | 4X10 GALVANIZED NIPPLE     | 775                         | 4               |
| GALNIP5X10     | 5X10 GALVANIZED NIPPLE     | 1055                        | BLK             |
| GALNIP6X10     | 6X10 GALVANIZED NIPPLE     | 1440                        | BLK             |
| GALNIP1/2X12   | 1/2X12 GALVANIZED NIPPLE   | 82                          | 25              |
| GALNIP3/4X12   | 3/4X12 GALVANIZED NIPPLE   | 109                         | 25              |
| GALNIP1X12     | 1X12 GALVANIZED NIPPLE     | 166                         | 25              |
| GALNIP1-1/4X12 | 1-1/4X12 GALVANIZED NIPPLE | 216                         | 10              |
| GALNIP1-1/2X12 | 1-1/2X12 GALVANIZED NIPPLE | 260                         | 10              |
| GALNIP2X12     | 2X12 GALVANIZED NIPPLE     | 335                         | 10              |
| GALNIP2-1/2X12 | 2-1/2X12 GALVANIZED NIPPLE | 505                         | 5               |
| GALNIP3X12     | 3X12 GALVANIZED NIPPLE     | 630                         | 5               |
| GALNIP3-1/2X12 | 3-1/2X12 GALVANIZED NIPPLE | 785                         | 4               |
| GALNIP4X12     | 4X12 GALVANIZED NIPPLE     | 925                         | 4               |
| GALNIP5X12     | 5X12 GALVANIZED NIPPLE     | 1260                        | BLK             |
| GALNIP6X12     | 6X12 GALVANIZED NIPPLE     | 1720                        | BLK             |



**STANDARD NPT TAPERED PIPE THREADS  
AS PER ANSI/ASME B1.20.1 SPECIFICATION.**

**Material**  
Rigid Steel Conduit (UL6)  
Aluminum Conduit (UL6A)

**Applicable Specification**  
Underwriters Laboratories  
• UL 6 for Rigid  
• UL 6A for Aluminum

**Rigid Conduit Nipples • Type - Rigid Steel and Aluminum**

| Pipe Size (in.) | Pipe O.D. (in.) | Length Close (in.) | Pipe Nipple Lengths |       |       |       |       |       |       |       |       |    |    |    |    |    |    |    |
|-----------------|-----------------|--------------------|---------------------|-------|-------|-------|-------|-------|-------|-------|-------|----|----|----|----|----|----|----|
| 1/2             | 0.84            | 1-1/8              | 1-1/2               | 2     | 2-1/2 | 3     | 3-1/2 | 4     | 4-1/2 | 5     | 5-1/2 | 6  | 7  | 8  | 9  | 10 | 11 | 12 |
| 3/4             | 1.05            | 1-3/8              | 1-1/2               | 2     | 2-1/2 | 3     | 3-1/2 | 4     | 4-1/2 | 5     | 5-1/2 | 6  | 7  | 8  | 9  | 10 | 11 | 12 |
| 1               | 1.315           | 1-1/2              | 2                   | 2-1/2 | 3     | 3-1/2 | 4     | 4-1/2 | 5     | 5-1/2 | 6     | 7  | 8  | 9  | 10 | 11 | 12 |    |
| 1-1/4           | 1.66            | 1-5/8              | 2                   | 2-1/2 | 3     | 3-1/2 | 4     | 4-1/2 | 5     | 5-1/2 | 6     | 7  | 8  | 9  | 10 | 11 | 12 |    |
| 1-1/2           | 1.9             | 1-3/4              | 2                   | 2-1/2 | 3     | 3-1/2 | 4     | 4-1/2 | 5     | 5-1/2 | 6     | 7  | 8  | 9  | 10 | 11 | 12 |    |
| 2               | 2.375           | 2                  | 2-1/2               | 3     | 3-1/2 | 4     | 4-1/2 | 5     | 5-1/2 | 6     | 7     | 8  | 9  | 10 | 11 | 12 |    |    |
| 2-1/2           | 2.875           | 2-1/2              | 3                   | 3-1/2 | 4     | 4-1/2 | 5     | 5-1/2 | 6     | 7     | 8     | 9  | 10 | 11 | 12 |    |    |    |
| 3               | 3.5             | 2-5/8              | 3                   | 3-1/2 | 4     | 4-1/2 | 5     | 5-1/2 | 6     | 7     | 8     | 9  | 10 | 11 | 12 |    |    |    |
| 3-1/2           | 4               | 2-3/4              | 4                   | 4-1/2 | 5     | 5-1/2 | 6     | 7     | 8     | 9     | 10    | 11 | 12 |    |    |    |    |    |
| 4               | 4.5             | 2-7/8              | 4                   | 4-1/2 | 5     | 5-1/2 | 6     | 7     | 8     | 9     | 10    | 11 | 12 |    |    |    |    |    |
| 5               | 5.563           | 3                  | 4-1/2               | 5     | 5-1/2 | 6     | 7     | 8     | 9     | 10    | 11    | 12 |    |    |    |    |    |    |
| 6               | 6.625           | 3-1/8              | 4-1/2               | 5     | 5-1/2 | 6     | 7     | 8     | 9     | 10    | 11    | 12 |    |    |    |    |    |    |

### EMT Standard Radius Elbows

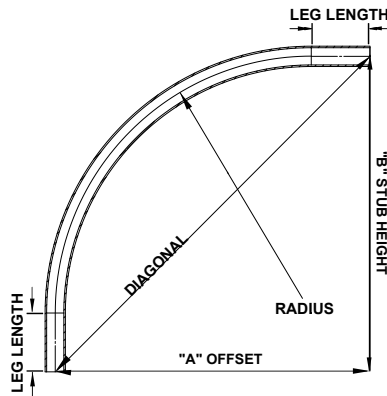
| Catalog Number | Description        | Weight Per 100 Pieces (lbs) | Standard Carton |
|----------------|--------------------|-----------------------------|-----------------|
| EMTELB1/2X90   | 1/2X90 EMT ELBOW   | 28                          | 50              |
| EMTELB3/4X90   | 3/4X90 EMT ELBOW   | 46                          | 50              |
| EMTELB1X90     | 1X 90 EMT ELBOW    | 86                          | 25              |
| EMTELB1-1/4X90 | 1-1/4X90 EMT ELBOW | 148                         | 25              |
| EMTELB1-1/2X90 | 1-1/2X90 EMT ELBOW | 198                         | 15              |
| EMTELB2X90     | 2X90 EMT ELBOW     | 286                         | 10              |
| EMTELB2-1/2X90 | 2-1/2X90 EMT ELBOW | 536                         | BLK             |
| EMTELB3X90     | 3X90 EMT ELBOW     | 720                         | BLK             |
| EMTELB3-1/2X90 | 3-1/2X90 EMT ELBOW | 1080                        | BLK             |
| EMTELB4X90     | 4X90 EMT ELBOW     | 1333                        | BLK             |
| EMTELB1/2X45   | 1/2X45 EMT ELBOW   | 24                          | 50              |
| EMTELB3/4X45   | 3/4X45 EMT ELBOW   | 39                          | 50              |
| EMTELB1X45     | 1X 45 EMT ELBOW    | 73                          | 25              |
| EMTELB1-1/4X45 | 1-1/4X45 EMT ELBOW | 126                         | 25              |
| EMTELB1-1/2X45 | 1-1/2X45 EMT ELBOW | 168                         | 15              |
| EMTELB2X45     | 2X45 EMT ELBOW     | 243                         | 10              |
| EMTELB2-1/2X45 | 2-1/2X45 EMT ELBOW | 456                         | BLK             |
| EMTELB3X45     | 3X45 EMT ELBOW     | 612                         | BLK             |
| EMTELB3-1/2X45 | 3-1/2X45 EMT ELBOW | 918                         | BLK             |
| EMTELB4X45     | 4X45 EMT ELBOW     | 1133                        | BLK             |

Weights shown are approximate for 90° elbows. To arrive at weights for 45° elbows deduct 15%. Sizes 2-1/2" and larger shipped in palletized cartons or bulk, with ECN-Korns identifying label.

### EMT Special Radius Elbows

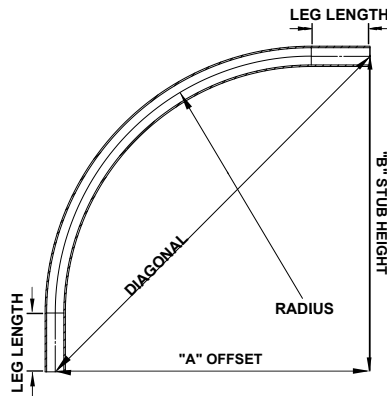
| Catalog Number | Description       | App Weight (lbs) | Standard Carton |
|----------------|-------------------|------------------|-----------------|
| EMTELB4X90X24  | 4X90X24 EMT ELBOW | 17               | BLK             |
| EMTELB4X45X24  | 4X45X24 EMT ELBOW | 14               | BLK             |
| EMTELB4X60X24  | 4X60X24 EMT ELBOW | 15               | BLK             |
| EMTELB4X30X24  | 4X30X24 EMT ELBOW | 14               | BLK             |
| EMTELB2X90X36  | 2X90X36 EMT ELBOW | 9                | BLK             |
| EMTELB3X90X36  | 3X90X36 EMT ELBOW | 16               | BLK             |
| EMTELB4X90X36  | 4X90X36 EMT ELBOW | 24               | BLK             |
| EMTELB2X45X36  | 2X45X36 EMT ELBOW | 8                | BLK             |
| EMTELB3X45X36  | 3X45X36 EMT ELBOW | 14               | BLK             |
| EMTELB4X45X36  | 4X45X36 EMT ELBOW | 20               | BLK             |
| EMTELB2X60X36  | 2X60X36 EMT ELBOW | 8                | BLK             |
| EMTELB3X60X36  | 3X60X36 EMT ELBOW | 14               | BLK             |
| EMTELB4X60X36  | 4X60X36 EMT ELBOW | 22               | BLK             |
| EMTELB2X30X36  | 2X30X36 EMT ELBOW | 7                | BLK             |
| EMTELB3X30X36  | 3X30X36 EMT ELBOW | 13               | BLK             |
| EMTELB4X30X36  | 4X30X36 EMT ELBOW | 19               | BLK             |
| EMTELB4X90X48  | 4X90X48 EMT ELBOW | 31               | BLK             |
| EMTELB4X45X48  | 4X45X48 EMT ELBOW | 26               | BLK             |
| EMTELB4X60X48  | 4X60X48 EMT ELBOW | 28               | BLK             |
| EMTELB4X30X48  | 4X30X48 EMT ELBOW | 25               | BLK             |

All E.M.T. special radius elbows are noncancelable and nonreturnable.



### Standard Radius Elbows • EMT

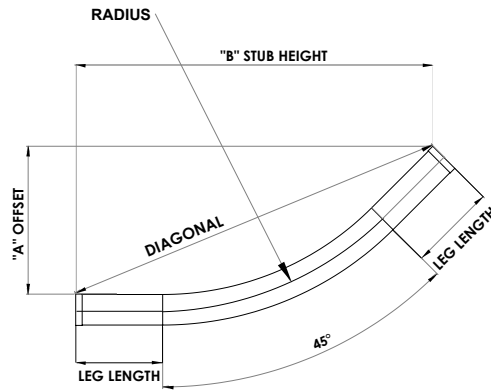
|        | Radius (in.)    | 4       | 4-1/2   | 5-3/4   | 7-1/4  | 8-1/4    | 9-1/2    | 10-1/2   | 13       | 15       | 16       |
|--------|-----------------|---------|---------|---------|--------|----------|----------|----------|----------|----------|----------|
| Degree | Size            | 1/2     | 3/4     | 1       | 1-1/4  | 1-1/2    | 2        | 2-1/2    | 3        | 3-1/2    | 4        |
| 11-1/4 | LEG LENGTH      | 2       | 2       | 2       | 2-3/4  | 3        | 4-1/4    | 5-1/4    | 5-7/8    | 6-3/4    | 7        |
|        | UNBENT LENGTH   | 4-13/16 | 4-7/8   | 5-1/8   | 6-7/8  | 8-1/4    | 10-3/8   | 12-9/16  | 14-3/16  | 16-3/8   | 17       |
|        | DIAGONAL        | 4-3/4   | 4-7/8   | 5-1/8   | 6-7/8  | 8-1/4    | 10-3/8   | 12-1/2   | 14-1/4   | 16-1/4   | 16-15/16 |
|        | "A" OFFSET      | 1/2     | 1/2     | 1/2     | 11/16  | 3/4      | 1        | 1-1/4    | 1-3/8    | 1-1/2    | 1-3/4    |
|        | "B" STUB HEIGHT | 4-3/4   | 4-13/16 | 5       | 6-7/8  | 8-3/16   | 10-1/2   | 12-1/2   | 14-1/16  | 16-1/4   | 17       |
| 15     | LEG LENGTH      | 2       | 2       | 2       | 2-3/4  | 3-1/4    | 4-5/16   | 5-1/4    | 5-7/8    | 6-3/4    | 7        |
|        | UNBENT LENGTH   | 5-1/16  | 5-3/16  | 5-1/2   | 7-1/4  | 8-5/8    | 11-1/16  | 13-11/32 | 15 1/8   | 17-15/32 | 18-5/32  |
|        | DIAGONAL        | 5       | 5-1/8   | 5       | 7-1/4  | 8-5/8    | 11       | 13-1/4   | 15       | 17-5/16  | 18       |
|        | "A" OFFSET      | 5/8     | 11/16   | 11/16   | 1      | 1 1/8    | 1-1/2    | 1-3/4    | 2        | 2-1/4    | 2-3/8    |
|        | "B" STUB HEIGHT | 5       | 5-1/8   | 5-3/8   | 7-1/8  | 8-1/2    | 10-7/8   | 13-1/8   | 15       | 17-1/4   | 17-7/8   |
| 22-1/2 | LEG LENGTH      | 2       | 2-1/16  | 2       | 2-3/4  | 3        | 4-1/4    | 5-1/4    | 5-7/8    | 6-3/4    | 7        |
|        | UNBENT LENGTH   | 5-21/32 | 5-27/32 | 6-11/32 | 8-5/16 | 9-27/32  | 12-5/16  | 14-23/32 | 16-13/16 | 19-13/32 | 20-1/4   |
|        | DIAGONAL        | 6       | 5-3/4   | 6-1/4   | 8-1/4  | 9-3/4    | 12-1/8   | 14-1/2   | 16-1/2   | 19-1/8   | 19-15/16 |
|        | "A" OFFSET      | 1 1/8   | 1       | 1       | 1-5/8  | 2        | 2-3/8    | 2-3/4    | 3-1/4    | 3-1/2    | 4        |
|        | "B" STUB HEIGHT | 5-7/16  | 5-5/8   | 6       | 8      | 9-1/2    | 11-7/8   | 14-1/4   | 16-1/4   | 18-1/2   | 19-9/16  |
| 30     | LEG LENGTH      | 2       | 2       | 2       | 2-3/4  | 3-5/16   | 4-1/4    | 5-1/4    | 5-7/8    | 6-3/4    | 7        |
|        | UNBENT LENGTH   | 6-3/16  | 6-7/16  | 7-1/8   | 9-1/4  | 10-29/32 | 13-9/16  | 16-3/32  | 18-1/2   | 21-3/8   | 22-11/32 |
|        | DIAGONAL        | 6       | 6-1/4   | 7       | 9      | 10-5/8   | 13-1/4   | 15-5/8   | 18       | 20-13/16 | 21-3/4   |
|        | "A" OFFSET      | 1-1/2   | 1-5/8   | 1-3/4   | 2-3/8  | 2-3/4    | 3-1/2    | 4        | 4-11/16  | 5-3/8    | 5-3/4    |
|        | "B" STUB HEIGHT | 5-7/8   | 6       | 7       | 8-3/4  | 10-1/4   | 12-3/4   | 15-1/8   | 17-7/16  | 20-1/8   | 21       |
| 45     | LEG LENGTH      | 2-1/16  | 2       | 2       | 2-5/8  | 3-1/2    | 4-1/4    | 5-1/8    | 5-7/8    | 6-3/4    | 7-1/4    |
|        | UNBENT LENGTH   | 7-1/4   | 7-1/2   | 8-1/2   | 11     | 13       | 16       | 18-1/2   | 22       | 25-1/4   | 27       |
|        | DIAGONAL        | 6-7/8   | 7-1/8   | 8-1/8   | 10-1/2 | 12-5/16  | 15-1/8   | 17-1/2   | 20-7/8   | 24       | 25-5/8   |
|        | "A" OFFSET      | 2-1/2   | 2-3/4   | 3       | 4      | 4-3/4    | 5-3/4    | 6-3/4    | 8        | 9-1/4    | 9-13/16  |
|        | "B" STUB HEIGHT | 6-1/2   | 6-5/8   | 7-1/2   | 9-1/2  | 11-3/8   | 14       | 16-3/16  | 19-1/4   | 22-1/8   | 23-5/8   |
| 60     | LEG LENGTH      | 2       | 2       | 2       | 2-3/4  | 3        | 4-1/4    | 5-1/4    | 5-7/8    | 6-3/4    | 7        |
|        | UNBENT LENGTH   | 8-3/16  | 8-3/4   | 10      | 13     | 15-1/8   | 18-7/16  | 21-19/32 | 25-5/16  | 29-7/32  | 30-23/32 |
|        | DIAGONAL        | 7-1/2   | 8       | 9       | 12     | 13-7/8   | 16-7/8   | 19-5/8   | 23-1/4   | 26-3/4   | 28       |
|        | "A" OFFSET      | 3-3/4   | 4       | 4-1/2   | 6      | 7        | 8-7/16   | 9-13/16  | 11-5/8   | 13-3/8   | 14       |
|        | "B" STUB HEIGHT | 6-7/16  | 6-15/16 | 8       | 10-3/8 | 12       | 14-5/8   | 17-1/16  | 20       | 23-1/8   | 24-5/16  |
| 90     | LEG LENGTH      | 2       | 2       | 2       | 2-3/4  | 3-1/4    | 4-5/16   | 5-1/4    | 5-13/16  | 6-3/4    | 6-15/16  |
|        | UNBENT LENGTH   | 10-5/16 | 11-1/16 | 13      | 16-3/4 | 19-1/2   | 23-1/2   | 27       | 32       | 37       | 39       |
|        | DIAGONAL        | 8-1/2   | 9       | 11      | 14     | 16-5/16  | 19-1/2   | 22-1/4   | 26-5/8   | 30-3/4   | 32-7/16  |
|        | "A" OFFSET      | 6       | 6-1/2   | 7-3/4   | 10     | 11-1/2   | 13-13/16 | 15-3/4   | 18-13/16 | 21-3/4   | 22-15/16 |
|        | "B" STUB HEIGHT | 6       | 6-1/2   | 7-3/4   | 10     | 11-1/2   | 13-13/16 | 15-3/4   | 18-13/16 | 21-3/4   | 22-15/16 |



### EMT Special Radius Elbows • 90 Degrees

| Size  | Radius          | 12      | 15     | 18      | 24     | 30       | 36     | 42     | 48      | 60        |
|-------|-----------------|---------|--------|---------|--------|----------|--------|--------|---------|-----------|
| 1     | LEG LENGTH      | 8-9/16  |        | 9-7/8   | 10-5/8 | 10-15/16 | 10-3/4 | 12     | 12-5/16 |           |
|       | UNBENT LENGTH   | 36      |        | 48      | 59     | 69       | 78     | 90     | 100     |           |
|       | DIAGONAL        | 29-1/8  |        | 39-7/16 | 49     | 57-7/8   | 66-1/6 | 76-3/8 | 85-5/16 |           |
|       | "A" OFFSET      | 20-9/16 |        | 27-7/8  | 34-5/8 | 40-15/16 | 46-3/4 | 54     | 60-5/16 |           |
|       | "B" STUB HEIGHT | 20-9/16 |        | 27-7/8  | 34-5/8 | 40-15/16 | 46-3/4 | 54     | 60-5/16 |           |
| 1-1/4 | LEG LENGTH      | 8-9/16  | 9-1/4  | 9-7/8   | 10-5/8 | 10-15/16 | 10-3/4 | 12     | 12-5/16 |           |
|       | UNBENT LENGTH   | 36      | 42     | 48      | 59     | 69       | 78     | 90     | 100     |           |
|       | DIAGONAL        | 29-1/8  | 34-1/4 | 39-7/16 | 49     | 57-7/8   | 66-1/6 | 76-3/8 | 85-5/16 |           |
|       | "A" OFFSET      | 20-9/16 | 24-1/4 | 27-7/8  | 34-5/8 | 40-15/16 | 46-3/4 | 54     | 60-5/16 |           |
|       | "B" STUB HEIGHT | 20-9/16 | 24-1/4 | 27-7/8  | 34-5/8 | 40-15/16 | 46-3/4 | 54     | 60-5/16 |           |
| 1-1/2 | LEG LENGTH      | 8-9/16  | 9-1/4  | 9-7/8   | 10-5/8 | 10-15/16 | 10-3/4 | 12     | 12-5/16 |           |
|       | UNBENT LENGTH   | 36      | 42     | 48      | 59     | 69       | 78     | 90     | 100     |           |
|       | DIAGONAL        | 29-1/8  | 34-1/4 | 39-7/16 | 49     | 57-7/8   | 66-1/6 | 76-3/8 | 85-5/16 |           |
|       | "A" OFFSET      | 20-9/16 | 24-1/4 | 27-7/8  | 34-5/8 | 40-15/16 | 46-3/4 | 54     | 60-5/16 |           |
|       | "B" STUB HEIGHT | 20-9/16 | 24-1/4 | 27-7/8  | 34-5/8 | 40-15/16 | 46-3/4 | 54     | 60-5/16 |           |
| 2     | LEG LENGTH      | 8-9/16  | 9-1/4  | 9-7/8   | 10-5/8 | 10-15/16 | 10-3/4 | 12     | 12-5/16 |           |
|       | UNBENT LENGTH   | 36      | 42     | 48      | 59     | 69       | 78     | 90     | 100     |           |
|       | DIAGONAL        | 29-1/8  | 34-1/4 | 39-7/16 | 49     | 57-7/8   | 66-1/6 | 76-3/8 | 85-5/16 |           |
|       | "A" OFFSET      | 20-9/16 | 24-1/4 | 27-7/8  | 34-5/8 | 40-15/16 | 46-3/4 | 54     | 60-5/16 |           |
|       | "B" STUB HEIGHT | 20-9/16 | 24-1/4 | 27-7/8  | 34-5/8 | 40-15/16 | 46-3/4 | 54     | 60-5/16 |           |
| 2-1/2 | LEG LENGTH      | 8-9/16  | 9-1/4  | 9-7/8   | 10-5/8 | 10-15/16 | 10-3/4 | 12     | 12-5/16 |           |
|       | UNBENT LENGTH   | 36      | 42     | 48      | 59     | 69       | 78     | 90     | 100     |           |
|       | DIAGONAL        | 29-1/8  | 34-1/4 | 39-7/16 | 49     | 57-7/8   | 66-1/6 | 76-3/8 | 85-5/16 |           |
|       | "A" OFFSET      | 20-9/16 | 24-1/4 | 27-7/8  | 34-5/8 | 40-15/16 | 46-3/4 | 54     | 60-5/16 |           |
|       | "B" STUB HEIGHT | 20-9/16 | 24-1/4 | 27-7/8  | 34-5/8 | 40-15/16 | 46-3/4 | 54     | 60-5/16 |           |
| 3     | LEG LENGTH      |         | 9-1/4  | 9-7/8   | 10-5/8 | 10-15/16 | 10-3/4 | 12     | 12-5/16 |           |
|       | UNBENT LENGTH   |         | 42     | 48      | 59     | 69       | 78     | 90     | 100     |           |
|       | DIAGONAL        |         | 34-1/4 | 39-7/16 | 49     | 57-7/8   | 66-1/6 | 76-3/8 | 85-5/16 |           |
|       | "A" OFFSET      |         | 24-1/4 | 27-7/8  | 34-5/8 | 40-15/16 | 46-3/4 | 54     | 60-5/16 |           |
|       | "B" STUB HEIGHT |         | 24-1/4 | 27-7/8  | 34-5/8 | 40-15/16 | 46-3/4 | 54     | 60-5/16 |           |
| 3-1/2 | LEG LENGTH      |         |        | 9-7/8   | 10-5/8 | 10-15/16 | 10-3/4 | 12     | 12-5/16 |           |
|       | UNBENT LENGTH   |         |        | 48      | 59     | 69       | 78     | 90     | 100     |           |
|       | DIAGONAL        |         |        | 39-7/16 | 49     | 57-7/8   | 66-1/6 | 76-3/8 | 85-5/16 |           |
|       | "A" OFFSET      |         |        | 27-7/8  | 34-5/8 | 40-15/16 | 46-3/4 | 54     | 60-5/16 |           |
|       | "B" STUB HEIGHT |         |        | 27-7/8  | 34-5/8 | 40-15/16 | 46-3/4 | 54     | 60-5/16 |           |
| 4     | LEG LENGTH      |         |        | 9-7/8   | 10-5/8 | 10-15/16 | 10-3/4 | 12     | 12-5/16 | 11-7/8    |
|       | UNBENT LENGTH   |         |        | 48      | 59     | 69       | 78     | 90     | 100     | 118       |
|       | DIAGONAL        |         |        | 39-7/16 | 49     | 57-7/8   | 66-1/6 | 76-3/8 | 85-5/16 | 101-11/16 |
|       | "A" OFFSET      |         |        | 27-7/8  | 34-5/8 | 40-15/16 | 46-3/4 | 54     | 60-5/16 | 71-7/8    |
|       | "B" STUB HEIGHT |         |        | 27-7/8  | 34-5/8 | 40-15/16 | 46-3/4 | 54     | 60-5/16 | 71-7/8    |
| 5     | LEG LENGTH      |         |        |         |        | 10-15/16 | 10-3/4 | 12     | 12-5/16 | 11-7/8    |
|       | UNBENT LENGTH   |         |        |         |        | 69       | 78     | 90     | 100     | 118       |
|       | DIAGONAL        |         |        |         |        | 57-7/8   | 66-1/6 | 76-3/8 | 85-5/16 | 101-11/16 |
|       | "A" OFFSET      |         |        |         |        | 40-15/16 | 46-3/4 | 54     | 60-5/16 | 71-7/8    |
|       | "B" STUB HEIGHT |         |        |         |        | 40-15/16 | 46-3/4 | 54     | 60-5/16 | 71-7/8    |
| 6     | LEG LENGTH      |         |        |         |        |          | 10-3/4 | 12     | 12-5/16 | 11-7/8    |
|       | UNBENT LENGTH   |         |        |         |        |          | 78     | 90     | 100     | 118       |
|       | DIAGONAL        |         |        |         |        |          | 66-1/6 | 76-3/8 | 85-5/16 | 101-11/16 |
|       | "A" OFFSET      |         |        |         |        |          | 46-3/4 | 54     | 60-5/16 | 71-7/8    |
|       | "B" STUB HEIGHT |         |        |         |        |          | 46-3/4 | 54     | 60-5/16 | 71-7/8    |





### EMT Special Radius Elbows • 45 Degrees

| Size  | Radius          | 12       | 15       | 18       | 24       | 30      | 36       | 42       | 48     | 60       |
|-------|-----------------|----------|----------|----------|----------|---------|----------|----------|--------|----------|
| 1     | LEG LENGTH      | 9        |          | 10       | 11       | 11      | 11       | 12       | 12     |          |
|       | UNBENT LENGTH   | 27-7/16  |          | 34-1/8   | 40-7/8   | 45-9/16 | 50-1/4   | 56-15/16 | 61-5/8 |          |
|       | DIAGONAL        | 25-13/16 |          | 32-1/4   | 38-3/4   | 43-5/16 | 47-7/8   | 54-1/4   | 58-7/8 |          |
|       | "A" OFFSET      | 9-7/8    |          | 12-5/16  | 14-13/16 | 16-9/16 | 18-5/16  | 20-3/4   | 22-1/2 |          |
|       | "B" STUB HEIGHT | 23-7/8   |          | 29-13/16 | 35-3/4   | 40      | 44-3/16  | 50-1/8   | 54-3/8 |          |
| 1-1/4 | LEG LENGTH      | 9        | 9        | 10       | 11       | 11      | 11       | 12       | 12     |          |
|       | UNBENT LENGTH   | 27-7/16  | 29-3/4   | 34-1/8   | 40-7/8   | 45-9/16 | 50-1/4   | 56-15/16 | 61-5/8 |          |
|       | DIAGONAL        | 25-13/16 | 28-1/16  | 32-1/4   | 38-3/4   | 43-5/16 | 47-7/8   | 54-1/4   | 58-7/8 |          |
|       | "A" OFFSET      | 9-7/8    | 10-3/4   | 12-5/16  | 14-13/16 | 16-9/16 | 18-5/16  | 20-3/4   | 22-1/2 |          |
|       | "B" STUB HEIGHT | 23-7/8   | 25-15/16 | 29-13/16 | 35-3/4   | 40      | 44-3/16  | 50-1/8   | 54-3/8 |          |
| 1-1/2 | LEG LENGTH      | 9        | 9        | 10       | 11       | 11      | 11       | 12       | 12     |          |
|       | UNBENT LENGTH   | 27-7/16  | 29-3/4   | 34-1/8   | 40-7/8   | 45-9/16 | 50-1/4   | 56-15/16 | 61-5/8 |          |
|       | DIAGONAL        | 25-13/16 | 28-1/16  | 32-1/4   | 38-3/4   | 43-5/16 | 47-7/8   | 54-1/4   | 58-7/8 |          |
|       | "A" OFFSET      | 9-7/8    | 10-3/4   | 12-5/16  | 14-13/16 | 16-9/16 | 18-5/16  | 20-3/4   | 22-1/2 |          |
|       | "B" STUB HEIGHT | 23-7/8   | 25-15/16 | 29-13/16 | 35-3/4   | 40      | 44-3/16  | 50-1/8   | 54-3/8 |          |
| 2     | LEG LENGTH      | 9        | 9        | 10       | 11       | 11      | 11       | 12       | 12     |          |
|       | UNBENT LENGTH   | 27-7/16  | 29-3/4   | 34-1/8   | 40-7/8   | 45-9/16 | 50-1/4   | 56-15/16 | 61-5/8 |          |
|       | DIAGONAL        | 25-13/16 | 28-1/16  | 32-1/4   | 38-3/4   | 43-5/16 | 47-7/8   | 54-1/4   | 58-7/8 |          |
|       | "A" OFFSET      | 9-7/8    | 10-3/4   | 12-5/16  | 14-13/16 | 16-9/16 | 18-5/16  | 20-3/4   | 22-1/2 |          |
|       | "B" STUB HEIGHT | 23-7/8   | 25-15/16 | 29-13/16 | 35-3/4   | 40      | 44-3/16  | 50-1/8   | 54-3/8 |          |
| 2-1/2 | LEG LENGTH      | 9        | 9        | 10       | 11       | 11      | 11       | 12       | 12     |          |
|       | UNBENT LENGTH   | 27-7/16  | 29-3/4   | 34-1/8   | 40-7/8   | 45-9/16 | 50-1/4   | 56-15/16 | 61-5/8 |          |
|       | DIAGONAL        | 25-13/16 | 28-1/16  | 32-1/4   | 38-3/4   | 43-5/16 | 47-7/8   | 54-1/4   | 58-7/8 |          |
|       | "A" OFFSET      | 9-7/8    | 10-3/4   | 12-5/16  | 14-13/16 | 16-9/16 | 18-5/16  | 20-3/4   | 22-1/2 |          |
|       | "B" STUB HEIGHT | 23-7/8   | 25-15/16 | 29-13/16 | 35-3/4   | 40      | 44-3/16  | 50-1/8   | 54-3/8 |          |
| 3     | LEG LENGTH      |          | 9        | 10       | 11       | 11      | 11       | 12       | 12     |          |
|       | UNBENT LENGTH   |          | 29-3/4   | 34-1/8   | 40-7/8   | 45-9/16 | 50-1/4   | 56-15/16 | 61-5/8 |          |
|       | DIAGONAL        |          | 28-1/16  | 32-1/4   | 38-3/4   | 43-5/16 | 47-7/8   | 54-1/4   | 58-7/8 |          |
|       | "A" OFFSET      |          | 10-3/4   | 12-5/16  | 14-13/16 | 16-9/16 | 18-5/16  | 20-3/4   | 22-1/2 |          |
|       | "B" STUB HEIGHT |          | 25-15/16 | 29-13/16 | 35-3/4   | 40      | 44-3/16  | 50-1/8   | 54-3/8 |          |
| 3-1/2 | LEG LENGTH      |          |          | 10       | 11       | 11      | 11       | 12       | 12     |          |
|       | UNBENT LENGTH   |          |          | 34-1/8   | 40-7/8   | 45-9/16 | 50-1/4   | 56-15/16 | 61-5/8 |          |
|       | DIAGONAL        |          |          | 32-1/4   | 38-3/4   | 43-5/16 | 47-7/8   | 54-1/4   | 58-7/8 |          |
|       | "A" OFFSET      |          |          | 12-5/16  | 14-13/16 | 16-9/16 | 18-5/16  | 20-3/4   | 22-1/2 |          |
|       | "B" STUB HEIGHT |          |          | 29-13/16 | 35-3/4   | 40      | 44-3/16  | 50-1/8   | 54-3/8 |          |
| 4     | LEG LENGTH      |          |          | 10       | 11       | 11      | 11       | 12       | 12     | 12       |
|       | UNBENT LENGTH   |          |          | 34-1/8   | 40-7/8   | 45-9/16 | 50-1/4   | 56-15/16 | 61-5/8 | 71-1/8   |
|       | DIAGONAL        |          |          | 32-1/4   | 38-3/4   | 43-5/16 | 47-7/8   | 54-1/4   | 58-7/8 | 68-1/8   |
|       | "A" OFFSET      |          |          | 12-5/16  | 14-13/16 | 16-9/16 | 18-5/16  | 20-3/4   | 22-1/2 | 26-1/16  |
|       | "B" STUB HEIGHT |          |          | 29-13/16 | 35-3/4   | 40      | 44-3/16  | 50-1/8   | 54-3/8 | 62-15/16 |
| 5     | LEG LENGTH      |          |          |          | 11       | 11      | 11       | 12       | 12     | 12       |
|       | UNBENT LENGTH   |          |          |          | 45-9/16  | 50-1/4  | 56-15/16 | 61-5/8   | 61-5/8 | 71-1/8   |
|       | DIAGONAL        |          |          |          | 43-5/16  | 47-7/8  | 54-1/4   | 58-7/8   | 68-1/8 | 68-1/8   |
|       | "A" OFFSET      |          |          |          | 16-9/16  | 18-5/16 | 20-3/4   | 22-1/2   | 22-1/2 | 26-1/16  |
|       | "B" STUB HEIGHT |          |          |          | 40       | 44-3/16 | 50-1/8   | 54-3/8   | 54-3/8 | 62-15/16 |
| 6     | LEG LENGTH      |          |          |          |          |         | 11       | 12       | 12     | 12       |
|       | UNBENT LENGTH   |          |          |          |          |         | 50-1/4   | 56-15/16 | 61-5/8 | 71-1/8   |
|       | DIAGONAL        |          |          |          |          |         | 47-7/8   | 54-1/4   | 58-7/8 | 68-1/8   |
|       | "A" OFFSET      |          |          |          |          |         | 18-5/16  | 20-3/4   | 22-1/2 | 26-1/16  |
|       | "B" STUB HEIGHT |          |          |          |          |         | 44-3/16  | 50-1/8   | 54-3/8 | 62-15/16 |

### Aluminum Conduit Couplings

| Catalog Number | Description             | Weight Per 100 Pieces (lbs) | Standard Carton |
|----------------|-------------------------|-----------------------------|-----------------|
| ALUCPLG-1/2    | 1/2 ALUMINUM COUPLING   | 6                           | 50              |
| ALUCPLG-3/4    | 3/4 ALUMINUM COUPLING   | 9                           | 50              |
| ALUCPLG-1      | 1 ALUMINUM COUPLING     | 13                          | 50              |
| ALUCPLG-1-1/4  | 1-1/4 ALUMINUM COUPLING | 19                          | 50              |
| ALUCPLG-1-1/2  | 1-1/2 ALUMINUM COUPLING | 23                          | 50              |
| ALUCPLG-2      | 2 ALUMINUM COUPLING     | 35                          | 20              |
| ALUCPLG-2-1/2  | 2-1/2 ALUMINUM COUPLING | 68                          | 12              |
| ALUCPLG-3      | 3 ALUMINUM COUPLING     | 91                          | 12              |
| ALUCPLG-3-1/2  | 3-1/2 ALUMINUM COUPLING | 108                         | 12              |
| ALUCPLG-4      | 4 ALUMINUM COUPLING     | 142                         | 12              |
| ALUCPLG-5      | 5 ALUMINUM COUPLING     | 242                         | BLK             |
| ALUCPLG-6      | 6 ALUMINUM COUPLING     | 320                         | BLK             |

### Aluminum Conduit Standard Radius Elbows

| Catalog Number | Description             | Weight Per 100 Pieces (lbs) | Standard Carton |
|----------------|-------------------------|-----------------------------|-----------------|
| ALUEL1/2X90    | 1/2X90 ALUMINUM ELBOW   | 26                          | 10              |
| ALUEL3/4X90    | 3/4X90 ALUMINUM ELBOW   | 36                          | 10              |
| ALUEL1X90      | 1X90 ALUMINUM ELBOW     | 63                          | 10              |
| ALUEL1-1/4X90  | 1-1/4X90 ALUMINUM ELBOW | 101                         | 10              |
| ALUEL1-1/2X90  | 1-1/2X90 ALUMINUM ELBOW | 140                         | 10              |
| ALUEL2X90      | 2X90 ALUMINUM ELBOW     | 230                         | 10              |
| ALUEL2-1/2X90  | 2-1/2X90 ALUMINUM ELBOW | 408                         | BLK             |
| ALUEL3X90      | 3X90 ALUMINUM ELBOW     | 641                         | BLK             |
| ALUEL3-1/2X90  | 3-1/2X90 ALUMINUM ELBOW | 893                         | BLK             |
| ALUEL4X90      | 4X90 ALUMINUM ELBOW     | 1114                        | BLK             |
| ALUEL5X90      | 5X90 ALUMINUM ELBOW     | 2472                        | BLK             |
| ALUEL6X90      | 6X90 ALUMINUM ELBOW     | 3872                        | BLK             |
| ALUEL1/2X45    | 1/2X45 ALUMINUM ELBOW   | 22                          | 10              |
| ALUEL3/4X45    | 3/4X45 ALUMINUM ELBOW   | 31                          | 10              |
| ALUEL1X45      | 1X45 ALUMINUM ELBOW     | 54                          | 10              |
| ALUEL1-1/4X45  | 1-1/4X45 ALUMINUM ELBOW | 86                          | 10              |
| ALUEL1-1/2X45  | 1-1/2X45 ALUMINUM ELBOW | 119                         | 10              |
| ALUEL2X45      | 2X45 ALUMINUM ELBOW     | 196                         | 10              |
| ALUEL2-1/2X45  | 2-1/2X45 ALUMINUM ELBOW | 347                         | BLK             |
| ALUEL3X45      | 3X45 ALUMINUM ELBOW     | 545                         | BLK             |
| ALUEL3-1/2X45  | 3-1/2X45 ALUMINUM ELBOW | 759                         | BLK             |
| ALUEL4X45      | 4X45 ALUMINUM ELBOW     | 947                         | BLK             |
| ALUEL5X45      | 5X45 ALUMINUM ELBOW     | 2101                        | BLK             |
| ALUEL6X45      | 6X45 ALUMINUM ELBOW     | 3291                        | BLK             |

### Aluminum Special Radius Elbows

| Catalog Number    | Description                | App Weight (lbs) | Standard Carton |
|-------------------|----------------------------|------------------|-----------------|
| ALUELB1X90X12     | 1X90X12 ALUMINUM ELBOW     | 2                | BLK             |
| ALUELB1-1/4X90X12 | 1-1/4X90X12 ALUMINUM ELBOW | 2                | BLK             |
| ALUELB1-1/2X90X12 | 1-1/2X90X12 ALUMINUM ELBOW | 3                | BLK             |
| ALUELB2X90X12     | 2X90X12 ALUMINUM ELBOW     | 4                | BLK             |
| ALUELB1X45X12     | 1X45X12 ALUMINUM ELBOW     | 2                | BLK             |
| ALUELB1-1/4X45X12 | 1-1/4X45X12 ALUMINUM ELBOW | 2                | BLK             |
| ALUELB1-1/2X45X12 | 1-1/2X45X12 ALUMINUM ELBOW | 3                | BLK             |
| ALUELB2X45X12     | 2X45X12 ALUMINUM ELBOW     | 3                | BLK             |
| ALUELB1X60X12     | 1X60X12 ALUMINUM ELBOW     | 2                | BLK             |
| ALUELB1-1/4X60X12 | 1-1/4X60X12 ALUMINUM ELBOW | 2                | BLK             |
| ALUELB1-1/2X60X12 | 1-1/2X60X12 ALUMINUM ELBOW | 3                | BLK             |
| ALUELB2X60X12     | 2X60X12 ALUMINUM ELBOW     | 4                | BLK             |
| ALUELB1X30X12     | 1X30X12 ALUMINUM ELBOW     | 2                | BLK             |
| ALUELB1-1/4X30X12 | 1-1/4X30X12 ALUMINUM ELBOW | 2                | BLK             |
| ALUELB1-1/2X30X12 | 1-1/2X30X12 ALUMINUM ELBOW | 2                | BLK             |
| ALUELB2X30X12     | 2X30X12 ALUMINUM ELBOW     | 3                | BLK             |
| ALUELB2X90X15     | 2X90X15 ALUMINUM ELBOW     | 4                | BLK             |
| ALUELB2X45X15     | 2X45X15 ALUMINUM ELBOW     | 3                | BLK             |
| ALUELB2X60X15     | 2X60X15 ALUMINUM ELBOW     | 4                | BLK             |
| ALUELB2X30X15     | 2X30X15 ALUMINUM ELBOW     | 3                | BLK             |
| ALUELB1X90X18     | 1X90X18 ALUMINUM ELBOW     | 2                | BLK             |
| ALUELB1-1/4X90X18 | 1-1/4X90X18 ALUMINUM ELBOW | 3                | BLK             |
| ALUELB1-1/2X90X18 | 1-1/2X90X18 ALUMINUM ELBOW | 4                | BLK             |
| ALUELB2X90X18     | 2X90X18 ALUMINUM ELBOW     | 5                | BLK             |
| ALUELB2-1/2X90X18 | 2-1/2X90X18 ALUMINUM ELBOW | 8                | BLK             |
| ALUELB3X90X18     | 3X90X18 ALUMINUM ELBOW     | 10               | BLK             |
| ALUELB3-1/2X90X18 | 3-1/2X90X18 ALUMINUM ELBOW | 12               | BLK             |
| ALUELB4X90X18     | 4X90X18 ALUMINUM ELBOW     | 14               | BLK             |
| ALUELB1X45X18     | 1X45X18 ALUMINUM ELBOW     | 2                | BLK             |
| ALUELB1-1/4X45X18 | 1-1/4X45X18 ALUMINUM ELBOW | 3                | BLK             |
| ALUELB1-1/2X45X18 | 1-1/2X45X18 ALUMINUM ELBOW | 3                | BLK             |
| ALUELB2X45X18     | 2X45X18 ALUMINUM ELBOW     | 4                | BLK             |
| ALUELB2-1/2X45X18 | 2-1/2X45X18 ALUMINUM ELBOW | 7                | BLK             |
| ALUELB3X45X18     | 3X45X18 ALUMINUM ELBOW     | 9                | BLK             |
| ALUELB3-1/2X45X18 | 3-1/2X45X18 ALUMINUM ELBOW | 10               | BLK             |
| ALUELB4X45X18     | 4X45X18 ALUMINUM ELBOW     | 12               | BLK             |

Weights shown are approximate for 90° elbows. To arrive at weights for 60° elbows deduct 10%, for 45° elbows deduct 15%, and for 30° elbows deduct 20%. **All products on this page are made to order. Consult factory for lead times. All Aluminum elbows are noncancelable and nonreturnable.**

### Aluminum Special Radius Elbows

| Catalog Number    | Description                | App Weight (lbs) | Standard Carton |
|-------------------|----------------------------|------------------|-----------------|
| ALUELB1X60X18     | 1X60X18 ALUMINUM ELBOW     | 2                | BLK             |
| ALUELB1-1/4X60X18 | 1-1/4X60X18 ALUMINUM ELBOW | 3                | BLK             |
| ALUELB1-1/2X60X18 | 1-1/2X60X18 ALUMINUM ELBOW | 4                | BLK             |
| ALUELB2X60X18     | 2X60X18 ALUMINUM ELBOW     | 5                | BLK             |
| ALUELB2-1/2X60X18 | 2-1/2X60X18 ALUMINUM ELBOW | 7                | BLK             |
| ALUELB3X60X18     | 3X60X18 ALUMINUM ELBOW     | 9                | BLK             |
| ALUELB3-1/2X60X18 | 3-1/2X60X18 ALUMINUM ELBOW | 11               | BLK             |
| ALUELB4X60X18     | 4X60X18 ALUMINUM ELBOW     | 13               | BLK             |
| ALUELB1X30X18     | 1X30X18 ALUMINUM ELBOW     | 2                | BLK             |
| ALUELB1-1/4X30X18 | 1-1/4X30X18 ALUMINUM ELBOW | 2                | BLK             |
| ALUELB1-1/2X30X18 | 1-1/2X30X18 ALUMINUM ELBOW | 3                | BLK             |
| ALUELB2X30X18     | 2X30X18 ALUMINUM ELBOW     | 4                | BLK             |
| ALUELB2-1/2X30X18 | 2-1/2X30X18 ALUMINUM ELBOW | 6                | BLK             |
| ALUELB3X30X18     | 3X30X18 ALUMINUM ELBOW     | 8                | BLK             |
| ALUELB3-1/2X30X18 | 3 1/2X30X18 ALUMINUM ELBOW | 10               | BLK             |
| ALUELB4X30X18     | 4X30X18 ALUMINUM ELBOW     | 11               | BLK             |
| ALUELB1X90X24     | 1X90X24 ALUMINUM ELBOW     | 3                | BLK             |
| ALUELB1-1/4X90X24 | 1-1/4X90X24 ALUMINUM ELBOW | 4                | BLK             |
| ALUELB1-1/2X90X24 | 1-1/2X90X24 ALUMINUM ELBOW | 5                | BLK             |
| ALUELB2X90X24     | 2X90X24 ALUMINUM ELBOW     | 6                | BLK             |
| ALUELB2-1/2X90X24 | 2-1/2X90X24 ALUMINUM ELBOW | 9                | BLK             |
| ALUELB3X90X24     | 3X90X24 ALUMINUM ELBOW     | 12               | BLK             |
| ALUELB3-1/2X90X24 | 3-1/2X90X24 ALUMINUM ELBOW | 14               | BLK             |
| ALUELB4X90X24     | 4X90X24 ALUMINUM ELBOW     | 17               | BLK             |
| ALUELB1X45X24     | 1X45X24 ALUMINUM ELBOW     | 3                | BLK             |
| ALUELB1-1/4X45X24 | 1-1/4X45X24 ALUMINUM ELBOW | 3                | BLK             |
| ALUELB1-1/2X45X24 | 1-1/2X45X24 ALUMINUM ELBOW | 4                | BLK             |
| ALUELB2X45X24     | 2X45X24 ALUMINUM ELBOW     | 5                | BLK             |
| ALUELB2-1/2X45X24 | 2-1/2X45X24 ALUMINUM ELBOW | 8                | BLK             |
| ALUELB3X45X24     | 3X45X24 ALUMINUM ELBOW     | 10               | BLK             |
| ALUELB3-1/2X45X24 | 3-1/2X45X24 ALUMINUM ELBOW | 12               | BLK             |
| ALUELB4X45X24     | 4X45X24 ALUMINUM ELBOW     | 14               | BLK             |
| ALUELB1X60X24     | 1X60X24 ALUMINUM ELBOW     | 3                | BLK             |
| ALUELB1-1/4X60X24 | 1-1/4X60X24 ALUMINUM ELBOW | 4                | BLK             |
| ALUELB1-1/2X60X24 | 1-1/2X60X24 ALUMINUM ELBOW | 5                | BLK             |
| ALUELB2X60X24     | 2X60X24 ALUMINUM ELBOW     | 5                | BLK             |
| ALUELB2-1/2X60X24 | 2-1/2X60X24 ALUMINUM ELBOW | 8                | BLK             |
| ALUELB3X60X24     | 3X60X24 ALUMINUM ELBOW     | 11               | BLK             |
| ALUELB3-1/2X60X24 | 3-1/2X60X24 ALUMINUM ELBOW | 13               | BLK             |
| ALUELB4X60X24     | 4X60X24 ALUMINUM ELBOW     | 15               | BLK             |

Weights shown are approximate for 90° elbows. To arrive at weights for 60° elbows deduct 10%, for 45° elbows deduct 15%, and for 30° elbows deduct 20%. **All products on this page are made to order. Consult factory for lead times. All Aluminum elbows are noncancelable and nonreturnable.**

### Aluminum Special Radius Elbows

| Catalog Number    | Description                | App Weight (lbs) | Standard Carton |
|-------------------|----------------------------|------------------|-----------------|
| ALUELB1X30X24     | 1X30X24 ALUMINUM ELBOW     | 2                | BLK             |
| ALUELB1-1/4X30X24 | 1-1/4X30X24 ALUMINUM ELBOW | 3                | BLK             |
| ALUELB1-1/2X30X24 | 1-1/2X30X24 ALUMINUM ELBOW | 4                | BLK             |
| ALUELB2X30X24     | 2X30X24 ALUMINUM ELBOW     | 5                | BLK             |
| ALUELB2-1/2X30X24 | 2-1/2X30X24 ALUMINUM ELBOW | 7                | BLK             |
| ALUELB3X30X24     | 3X30X24 ALUMINUM ELBOW     | 10               | BLK             |
| ALUELB3-1/2X30X24 | 3-1/2X30X24 ALUMINUM ELBOW | 11               | BLK             |
| ALUELB4X30X24     | 4X30X24 ALUMINUM ELBOW     | 14               | BLK             |
| ALUELB1X90X30     | 1X90X30 ALUMINUM ELBOW     | 3                | BLK             |
| ALUELB1-1/4X90X30 | 1-1/4X90X30 ALUMINUM ELBOW | 4                | BLK             |
| ALUELB1-1/2X90X30 | 1-1/2X90X30 ALUMINUM ELBOW | 5                | BLK             |
| ALUELB2X90X30     | 2X90X30 ALUMINUM ELBOW     | 7                | BLK             |
| ALUELB2-1/2X90X30 | 2-1/2X90X30 ALUMINUM ELBOW | 11               | BLK             |
| ALUELB3X90X30     | 3X90X30 ALUMINUM ELBOW     | 14               | BLK             |
| ALUELB4X90X30     | 4X90X30 ALUMINUM ELBOW     | 20               | BLK             |
| ALUELB5X90X30     | 5X90X30 ALUMINUM ELBOW     | 29               | BLK             |
| ALUELB1X45X30     | 1X45X30 ALUMINUM ELBOW     | 3                | BLK             |
| ALUELB1-1/4X45X30 | 1-1/4X45X30 ALUMINUM ELBOW | 3                | BLK             |
| ALUELB1-1/2X45X30 | 1-1/2X45X30 ALUMINUM ELBOW | 4                | BLK             |
| ALUELB2X45X30     | 2X45X30 ALUMINUM ELBOW     | 6                | BLK             |
| ALUELB2-1/2X45X30 | 2-1/2X45X30 ALUMINUM ELBOW | 9                | BLK             |
| ALUELB3X45X30     | 3X45X30 ALUMINUM ELBOW     | 12               | BLK             |
| ALUELB4X45X30     | 4X45X30 ALUMINUM ELBOW     | 17               | BLK             |
| ALUELB5X45X30     | 5X45X30 ALUMINUM ELBOW     | 25               | BLK             |
| ALUELB1X60X30     | 1X60X30 ALUMINUM ELBOW     | 3                | BLK             |
| ALUELB1-1/4X60X30 | 1-1/4X60X30 ALUMINUM ELBOW | 4                | BLK             |
| ALUELB1-1/2X60X30 | 1-1/2X60X30 ALUMINUM ELBOW | 5                | BLK             |
| ALUELB2X60X30     | 2X60X30 ALUMINUM ELBOW     | 6                | BLK             |
| ALUELB2-1/2X60X30 | 2-1/2X60X30 ALUMINUM ELBOW | 10               | BLK             |
| ALUELB3X60X30     | 3X60X30 ALUMINUM ELBOW     | 13               | BLK             |
| ALUELB4X60X30     | 4X60X30 ALUMINUM ELBOW     | 18               | BLK             |
| ALUELB5X60X30     | 5X60X30 ALUMINUM ELBOW     | 26               | BLK             |

Weights shown are approximate for 90° elbows. To arrive at weights for 60° elbows deduct 10%, for 45° elbows deduct 15%, and for 30° elbows deduct 20%. **All products on this page are made to order. Consult factory for lead times. All Aluminum elbows are noncancelable and nonreturnable.**

### Aluminum Special Radius Elbows

| Catalog Number    | Description                | App Weight (lbs) | Standard Carton |
|-------------------|----------------------------|------------------|-----------------|
| ALUELB1X30X30     | 1X30X30 ALUMINUM ELBOW     | 2                | BLK             |
| ALUELB1-1/4X30X30 | 1-1/4X30X30 ALUMINUM ELBOW | 3                | BLK             |
| ALUELB1-1/2X30X30 | 1-1/2X30X30 ALUMINUM ELBOW | 5                | BLK             |
| ALUELB2X30X30     | 2X30X30 ALUMINUM ELBOW     | 6                | BLK             |
| ALUELB2-1/2X30X30 | 2-1/2X30X30 ALUMINUM ELBOW | 10               | BLK             |
| ALUELB3X30X30     | 3X30X30 ALUMINUM ELBOW     | 13               | BLK             |
| ALUELB4X30X30     | 4X30X30 ALUMINUM ELBOW     | 16               | BLK             |
| ALUELB5X30X30     | 5X30X30 ALUMINUM ELBOW     | 23               | BLK             |
| ALUELB1X90X36     | 1X90X36 ALUMINUM ELBOW     | 4                | BLK             |
| ALUELB1-1/4X90X36 | 1-1/4X90X36 ALUMINUM ELBOW | 5                | BLK             |
| ALUELB1-1/2X90X36 | 1-1/2X90X36 ALUMINUM ELBOW | 6                | BLK             |
| ALUELB2X90X36     | 2X90X36 ALUMINUM ELBOW     | 8                | BLK             |
| ALUELB2-1/2X90X36 | 2-1/2X90X36 ALUMINUM ELBOW | 12               | BLK             |
| ALUELB3X90X36     | 3X90X36 ALUMINUM ELBOW     | 16               | BLK             |
| ALUELB3-1/2X90X36 | 3-1/2X90X36 ALUMINUM ELBOW | 19               | BLK             |
| ALUELB4X90X36     | 4X90X36 ALUMINUM ELBOW     | 23               | BLK             |
| ALUELB5X90X36     | 5X90X36 ALUMINUM ELBOW     | 32               | BLK             |
| ALUELB6X90X36     | 6X90X36 ALUMINUM ELBOW     | 42               | BLK             |
| ALUELB1X45X36     | 1X45X36 ALUMINUM ELBOW     | 3                | BLK             |
| ALUELB1-1/4X45X36 | 1-1/4X45X36 ALUMINUM ELBOW | 4                | BLK             |
| ALUELB1-1/2X45X36 | 1-1/2X45X36 ALUMINUM ELBOW | 5                | BLK             |
| ALUELB2X45X36     | 2X45X36 ALUMINUM ELBOW     | 7                | BLK             |
| ALUELB2-1/2X45X36 | 2-1/2X45X36 ALUMINUM ELBOW | 10               | BLK             |
| ALUELB3X45X36     | 3X45X36 ALUMINUM ELBOW     | 14               | BLK             |
| ALUELB3-1/2X45X36 | 3-1/2X45X36 ALUMINUM ELBOW | 16               | BLK             |
| ALUELB4X45X36     | 4X45X36 ALUMINUM ELBOW     | 20               | BLK             |
| ALUELB5X45X36     | 5X45X36 ALUMINUM ELBOW     | 27               | BLK             |
| ALUELB6X45X36     | 6X45X36 ALUMINUM ELBOW     | 29               | BLK             |
| ALUELB1X60X36     | 1X60X36 ALUMINUM ELBOW     | 4                | BLK             |
| ALUELB1-1/4X60X36 | 1-1/4X60X36 ALUMINUM ELBOW | 5                | BLK             |
| ALUELB1-1/2X60X36 | 1-1/2X60X36 ALUMINUM ELBOW | 5                | BLK             |
| ALUELB2X60X36     | 2X60X36 ALUMINUM ELBOW     | 7                | BLK             |
| ALUELB2-1/2X60X36 | 2-1/2X60X36 ALUMINUM ELBOW | 11               | BLK             |
| ALUELB3X60X36     | 3X60X36 ALUMINUM ELBOW     | 14               | BLK             |
| ALUELB3-1/2X60X36 | 3-1/2X60X36 ALUMINUM ELBOW | 17               | BLK             |
| ALUELB4X60X36     | 4X60X36 ALUMINUM ELBOW     | 18               | BLK             |
| ALUELB5X60X36     | 5X60X36 ALUMINUM ELBOW     | 29               | BLK             |
| ALUELB6X60X36     | 6X60X36 ALUMINUM ELBOW     | 39               | BLK             |

Weights shown are approximate for 90° elbows. To arrive at weights for 60° elbows deduct 10%, for 45° elbows deduct 15%, and for 30° elbows deduct 20%. **All products on this page are made to order. Consult factory for lead times. All Aluminum elbows are noncancelable and nonreturnable.**

### Aluminum Special Radius Elbows

| Catalog Number    | Description                | App Weight (lbs) | Standard Carton |
|-------------------|----------------------------|------------------|-----------------|
| ALUELB1X30X36     | 1X30X36 ALUMINUM ELBOW     | 3                | BLK             |
| ALUELB1-1/4X30X36 | 1-1/4X30X36 ALUMINUM ELBOW | 4                | BLK             |
| ALUELB1-1/2X30X36 | 1-1/2X30X36 ALUMINUM ELBOW | 5                | BLK             |
| ALUELB2X30X36     | 2X30X36 ALUMINUM ELBOW     | 6                | BLK             |
| ALUELB2-1/2X30X36 | 2-1/2X30X36 ALUMINUM ELBOW | 10               | BLK             |
| ALUELB3X30X36     | 3X30X36 ALUMINUM ELBOW     | 13               | BLK             |
| ALUELB3-1/2X30X36 | 3-1/2X30X36 ALUMINUM ELBOW | 15               | BLK             |
| ALUELB4X30X36     | 4X30X36 ALUMINUM ELBOW     | 18               | BLK             |
| ALUELB5X30X36     | 5X30X36 ALUMINUM ELBOW     | 26               | BLK             |
| ALUELB6X30X36     | 6X30X36 ALUMINUM ELBOW     | 34               | BLK             |
| ALUELB4X90X42     | 4X90X42 ALUMINUM ELBOW     | 26               | BLK             |
| ALUELB5X90X42     | 5X90X42 ALUMINUM ELBOW     | 37               | BLK             |
| ALUELB4X45X42     | 4X45X42 ALUMINUM ELBOW     | 22               | BLK             |
| ALUELB5X45X42     | 5X45X42 ALUMINUM ELBOW     | 31               | BLK             |
| ALUELB4X60X42     | 4X60X42 ALUMINUM ELBOW     | 23               | BLK             |
| ALUELB5X60X42     | 5X60X42 ALUMINUM ELBOW     | 33               | BLK             |
| ALUELB4X30X42     | 4X30X42 ALUMINUM ELBOW     | 21               | BLK             |
| ALUELB5X30X42     | 5X30X42 ALUMINUM ELBOW     | 30               | BLK             |
| ALUELB1X90X48     | 1X90X48 ALUMINUM ELBOW     | 5                | BLK             |
| ALUELB1-1/4X90X48 | 1-1/4X90X48 ALUMINUM ELBOW | 6                | BLK             |
| ALUELB1-1/2X90X48 | 1-1/2X90X48 ALUMINUM ELBOW | 8                | BLK             |
| ALUELB2X90X48     | 2X90X48 ALUMINUM ELBOW     | 10               | BLK             |
| ALUELB2-1/2X90X48 | 2-1/2X90X48 ALUMINUM ELBOW | 16               | BLK             |
| ALUELB3X90X48     | 3X90X48 ALUMINUM ELBOW     | 21               | BLK             |
| ALUELB3-1/2X90X48 | 3-1/2X90X48 ALUMINUM ELBOW | 25               | BLK             |
| ALUELB4X90X48     | 4X90X48 ALUMINUM ELBOW     | 29               | BLK             |
| ALUELB5X90X48     | 5X90X48 ALUMINUM ELBOW     | 42               | BLK             |
| ALUELB6X90X48     | 6X90X48 ALUMINUM ELBOW     | 54               | BLK             |

Weights shown are approximate for 90° elbows. To arrive at weights for 60° elbows deduct 10%, for 45° elbows deduct 15%, and for 30° elbows deduct 20%. **All products on this page are made to order. Consult factory for lead times. All Aluminum elbows are noncancelable and nonreturnable.**

### Aluminum Special Radius Elbows

| Catalog Number    | Description                | App Weight (lbs) | Standard Carton |
|-------------------|----------------------------|------------------|-----------------|
| ALUELB1X45X48     | 1X45X48 ALUMINUM ELBOW     | 4                | BLK             |
| ALUELB1-1/4X45X48 | 1-1/4X45X48 ALUMINUM ELBOW | 5                | BLK             |
| ALUELB1-1/2X45X48 | 1-1/2X45X48 ALUMINUM ELBOW | 7                | BLK             |
| ALUELB2X45X48     | 2X45X48 ALUMINUM ELBOW     | 9                | BLK             |
| ALUELB2-1/2X45X48 | 2-1/2X45X48 ALUMINUM ELBOW | 14               | BLK             |
| ALUELB3X45X48     | 3X45X48 ALUMINUM ELBOW     | 18               | BLK             |
| ALUELB3-1/2X45X48 | 3-1/2X45X48 ALUMINUM ELBOW | 21               | BLK             |
| ALUELB4X45X48     | 4X45X48 ALUMINUM ELBOW     | 25               | BLK             |
| ALUELB5X45X48     | 5X45X48 ALUMINUM ELBOW     | 36               | BLK             |
| ALUELB6X45X48     | 6X45X48 ALUMINUM ELBOW     | 46               | BLK             |
| ALUELB1X60X48     | 1X60X48 ALUMINUM ELBOW     | 5                | BLK             |
| ALUELB1-1/4X60X48 | 1-1/4X60X48 ALUMINUM ELBOW | 5                | BLK             |
| ALUELB1-1/2X60X48 | 1-1/2X60X48 ALUMINUM ELBOW | 7                | BLK             |
| ALUELB2X60X48     | 2X60X48 ALUMINUM ELBOW     | 9                | BLK             |
| ALUELB2-1/2X60X48 | 2-1/2X60X48 ALUMINUM ELBOW | 14               | BLK             |
| ALUELB3X60X48     | 3X60X48 ALUMINUM ELBOW     | 19               | BLK             |
| ALUELB3-1/2X60X48 | 3-1/2X60X48 ALUMINUM ELBOW | 22               | BLK             |
| ALUELB4X60X48     | 4X60X48 ALUMINUM ELBOW     | 26               | BLK             |
| ALUELB5X60X48     | 5X60X48 ALUMINUM ELBOW     | 38               | BLK             |
| ALUELB6X60X48     | 6X60X48 ALUMINUM ELBOW     | 49               | BLK             |
| ALUELB1X30X48     | 1X30X48 ALUMINUM ELBOW     | 4                | BLK             |
| ALUELB1-1/4X30X48 | 1-1/4X30X48 ALUMINUM ELBOW | 5                | BLK             |
| ALUELB1-1/2X30X48 | 1-1/2X30X48 ALUMINUM ELBOW | 6                | BLK             |
| ALUELB2X30X48     | 2X30X48 ALUMINUM ELBOW     | 8                | BLK             |
| ALUELB2-1/2X30X48 | 2-1/2X30X48 ALUMINUM ELBOW | 13               | BLK             |
| ALUELB3X30X48     | 3X30X48 ALUMINUM ELBOW     | 17               | BLK             |
| ALUELB3-1/2X30X48 | 3-1/2X30X48 ALUMINUM ELBOW | 20               | BLK             |
| ALUELB4X30X48     | 4X30X48 ALUMINUM ELBOW     | 23               | BLK             |
| ALUELB5X30X48     | 5X30X48 ALUMINUM ELBOW     | 34               | BLK             |
| ALUELB6X30X48     | 6X30X48 ALUMINUM ELBOW     | 43               | BLK             |

Weights shown are approximate for 90° elbows. To arrive at weights for 60° elbows deduct 10%, for 45° elbows deduct 15%, and for 30° elbows deduct 20%. **All products on this page are made to order. Consult factory for lead times. All Aluminum elbows are noncancelable and nonreturnable.**



## Aluminum Conduit Nipples

| Catalog Number    | Description                      | Weight Per 100 Pieces (lbs) | Standard Carton |
|-------------------|----------------------------------|-----------------------------|-----------------|
| ALUNIP1/2XCL      | 1/2X1-1/8 (CL) ALUMINUM NIPPLE   | 2                           | 25              |
| ALUNIP3/4XCL      | 3/4X13/8 (CL) ALUMINUM NIPPLE    | 3                           | 25              |
| ALUNIP1XCL        | 1X1-1/2 (CL) ALUMINUM NIPPLE     | 4                           | 25              |
| ALUNIP1-1/4XCL    | 1-1/4X1-5/8 (CL) ALUMINUM NIPPLE | 7                           | 25              |
| ALUNIP1-1/2XCL    | 1-1/2X1-3/4 (CL) ALUMINUM NIPPLE | 10                          | 25              |
| ALUNIP2XCL        | 2X2 (CL) ALUMINUM NIPPLE         | 16                          | 25              |
| ALUNIP2-1/2XCL    | 2-1/2X2-1/2 (CL) ALUMINUM NIPPLE | 22                          | 12              |
| ALUNIP3XCL        | 3X2-5/8 (CL) ALUMINUM NIPPLE     | 24                          | 12              |
| ALUNIP3-1/2XCL    | 3-1/2X2-3/4 (CL) ALUMINUM NIPPLE | 42                          | 12              |
| ALUNIP4XCL        | 4X2-7/8 (CL) ALUMINUM NIPPLE     | 51                          | 12              |
| ALUNIP5XCL        | 5X3 (CL) ALUMINUM NIPPLE         | 71                          | BLK             |
| ALUNIP6XCL        | 6X3-1/8 (CL) ALUMINUM NIPPLE     | 105                         | BLK             |
| ALUNIP1/2X1-1/2   | 1/2X1-1/2 ALUMINUM NIPPLE        | 3                           | 25              |
| ALUNIP3/4X1-1/2   | 3/4X1-1/2 ALUMINUM NIPPLE        | 3                           | 25              |
| ALUNIP1/2X2       | 1/2X2 ALUMINUM NIPPLE            | 4                           | 25              |
| ALUNIP3/4X2       | 3/4X2 ALUMINUM NIPPLE            | 5                           | 25              |
| ALUNIP1X2         | 1X2 ALUMINUM NIPPLE              | 7                           | 25              |
| ALUNIP1-1/4X2     | 1-1/4X2 ALUMINUM NIPPLE          | 10                          | 25              |
| ALUNIP1-1/2X2     | 1-1/2X2 ALUMINUM NIPPLE          | 12                          | 25              |
| ALUNIP1/2X2-1/2   | 1/2X2-1/2 ALUMINUM NIPPLE        | 5                           | 25              |
| ALUNIP3/4X2-1/2   | 3/4X2-1/2 ALUMINUM NIPPLE        | 7                           | 25              |
| ALUNIP1X2-1/2     | 1X2-1/2 ALUMINUM NIPPLE          | 8                           | 25              |
| ALUNIP1-1/4X2-1/2 | 1-1/4X2-1/2 ALUMINUM NIPPLE      | 13                          | 25              |
| ALUNIP1-1/2X2-1/2 | 1-1/2X2-1/2 ALUMINUM NIPPLE      | 16                          | 25              |
| ALUNIP2X2-1/2     | 2X2-1/2 ALUMINUM NIPPLE          | 22                          | 25              |
| ALUNIP1/2X3       | 1/2X3 ALUMINUM NIPPLE            | 7                           | 25              |
| ALUNIP3/4X3       | 3/4X3 ALUMINUM NIPPLE            | 8                           | 25              |
| ALUNIP1X3         | 1X3 ALUMINUM NIPPLE              | 12                          | 25              |
| ALUNIP1-1/4X3     | 1-1/4X3 ALUMINUM NIPPLE          | 16                          | 25              |
| ALUNIP1-1/2X3     | 1-1/2X3 ALUMINUM NIPPLE          | 20                          | 25              |
| ALUNIP2X3         | 2X3 ALUMINUM NIPPLE              | 27                          | 25              |
| ALUNIP2-1/2X3     | 2-1/2X3 ALUMINUM NIPPLE          | 30                          | 12              |
| ALUNIP3X3         | 3X3 ALUMINUM NIPPLE              | 42                          | 12              |
| ALUNIP1/2X3-1/2   | 1/2X3-1/2 ALUMINUM NIPPLE        | 8                           | 25              |
| ALUNIP3/4X3-1/2   | 3/4X3-1/2 ALUMINUM NIPPLE        | 10                          | 25              |
| ALUNIP1X3-1/2     | 1X3-1/2 ALUMINUM NIPPLE          | 14                          | 25              |
| ALUNIP1-1/4X3-1/2 | 1-1/4X3-1/2 ALUMINUM NIPPLE      | 20                          | 25              |
| ALUNIP1-1/2X3-1/2 | 1-1/2X3-1/2 ALUMINUM NIPPLE      | 24                          | 25              |
| ALUNIP2X3-1/2     | 2X3-1/2 ALUMINUM NIPPLE          | 32                          | 25              |
| ALUNIP2-1/2X3-1/2 | 2-1/2X3-1/2 ALUMINUM NIPPLE      | 39                          | 12              |
| ALUNIP3X3-1/2     | 3X3-1/2 ALUMINUM NIPPLE          | 53                          | 12              |

## Aluminum Conduit Nipples

| Catalog Number | Description             | Weight Per 100 Pieces (lbs) | Standard Carton |
|----------------|-------------------------|-----------------------------|-----------------|
| ALUNIP1/2X4    | 1/2 X4 ALUMINUM NIPPLE  | 9                           | 25              |
| ALUNIP3/4X4    | 3/4X4 ALUMINUM NIPPLE   | 12                          | 25              |
| ALUNIP1X4      | 1X4 ALUMINUM NIPPLE     | 16                          | 25              |
| ALUNIP1-1/4X4  | 1-1/4X4 ALUMINUM NIPPLE | 23                          | 25              |
| ALUNIP1-1/2X4  | 1-1/2X4 ALUMINUM NIPPLE | 28                          | 25              |
| ALUNIP2X4      | 2X4 ALUMINUM NIPPLE     | 38                          | 25              |
| ALUNIP2-1/2X4  | 2-1/2X4 ALUMINUM NIPPLE | 47                          | 12              |
| ALUNIP3X4      | 3X4 ALUMINUM NIPPLE     | 64                          | 12              |
| ALUNIP3-1/2X4  | 3-1/2X4 ALUMINUM NIPPLE | 75                          | 12              |
| ALUNIP4X4      | 4X4 ALUMINUM NIPPLE     | 87                          | 12              |
| ALUNIP1/2X5    | 1/2X5 ALUMINUM NIPPLE   | 12                          | 25              |
| ALUNIP3/4X5    | 3/4X5 ALUMINUM NIPPLE   | 15                          | 25              |
| ALUNIP1X5      | 1X5 ALUMINUM NIPPLE     | 21                          | 25              |
| ALUNIP1-1/4X5  | 1-1/4X5 ALUMINUM NIPPLE | 29                          | 25              |
| ALUNIP1-1/2X5  | 1-1/2X5 ALUMINUM NIPPLE | 36                          | 25              |
| ALUNIP2X5      | 2X5 ALUMINUM NIPPLE     | 48                          | 25              |
| ALUNIP2-1/2X5  | 2-1/2X5 ALUMINUM NIPPLE | 64                          | 12              |
| ALUNIP3X5      | 3X5 ALUMINUM NIPPLE     | 86                          | 12              |
| ALUNIP3-1/2X5  | 3-1/2X5 ALUMINUM NIPPLE | 101                         | 12              |
| ALUNIP4X5      | 4X5 ALUMINUM NIPPLE     | 118                         | 12              |
| ALUNIP5X5      | 5X5 ALUMINUM NIPPLE     | 155                         | BLK             |
| ALUNIP6X5      | 6X5 ALUMINUM NIPPLE     | 208                         | BLK             |
| ALUNIP1/2X6    | 1/2X6 ALUMINUM NIPPLE   | 14                          | 25              |
| ALUNIP3/4X6    | 3/4X6 ALUMINUM NIPPLE   | 18                          | 25              |
| ALUNIP1X6      | 1X6 ALUMINUM NIPPLE     | 26                          | 25              |
| ALUNIP1-1/4X6  | 1-1/4X6 ALUMINUM NIPPLE | 36                          | 25              |
| ALUNIP1-1/2X6  | 1-1/2X6 ALUMINUM NIPPLE | 44                          | 25              |
| ALUNIP2X6      | 2X6 ALUMINUM NIPPLE     | 58                          | 25              |
| ALUNIP2-1/2X6  | 2-1/2X6 ALUMINUM NIPPLE | 80                          | 10              |
| ALUNIP3X6      | 3X6 ALUMINUM NIPPLE     | 108                         | 10              |
| ALUNIP3-1/2X6  | 3-1/2X6 ALUMINUM NIPPLE | 128                         | 5               |
| ALUNIP4X6      | 4X6 ALUMINUM NIPPLE     | 149                         | 5               |
| ALUNIP5X6      | 5X6 ALUMINUM NIPPLE     | 197                         | BLK             |
| ALUNIP6X6      | 6X6 ALUMINUM NIPPLE     | 263                         | BLK             |

## Aluminum Conduit Nipples

| Catalog Number | Description              | Weight Per 100 Pieces (lbs) | Standard Carton |
|----------------|--------------------------|-----------------------------|-----------------|
| ALUNIP1/2X8    | 1/2X8 ALUMINUM NIPPLE    | 19                          | 25              |
| ALUNIP3/4X8    | 3/4X8 ALUMINUM NIPPLE    | 25                          | 25              |
| ALUNIP1X8      | 1X8 ALUMINUM NIPPLE      | 36                          | 25              |
| ALUNIP1-1/4X8  | 1-1/4X8 ALUMINUM NIPPLE  | 49                          | 10              |
| ALUNIP1-1/2X8  | 1-1/2X8 ALUMINUM NIPPLE  | 59                          | 10              |
| ALUNIP2X8      | 2X8 ALUMINUM NIPPLE      | 78                          | 10              |
| ALUNIP2-1/2X8  | 2-1/2X8 ALUMINUM NIPPLE  | 114                         | 5               |
| ALUNIP3X8      | 3X8 ALUMINUM NIPPLE      | 152                         | 5               |
| ALUNIP3-1/2X8  | 3-1/2X8 ALUMINUM NIPPLE  | 180                         | 5               |
| ALUNIP4X8      | 4X8 ALUMINUM NIPPLE      | 212                         | 3               |
| ALUNIP5X8      | 5X8 ALUMINUM NIPPLE      | 281                         | BLK             |
| ALUNIP6X8      | 6X8 ALUMINUM NIPPLE      | 372                         | BLK             |
| ALUNIP1/2X10   | 1/2X10 ALUMINUM NIPPLE   | 24                          | 25              |
| ALUNIP3/4X10   | 3/4X10 ALUMINUM NIPPLE   | 31                          | 25              |
| ALUNIP1X10     | 1X10 ALUMINUM NIPPLE     | 45                          | 25              |
| ALUNIP1-1/4X10 | 1-1/4X10 ALUMINUM NIPPLE | 62                          | 10              |
| ALUNIP1-1/2X10 | 1-1/2X10 ALUMINUM NIPPLE | 74                          | 10              |
| ALUNIP2X10     | 2X10 ALUMINUM NIPPLE     | 100                         | 10              |
| ALUNIP2-1/2X10 | 2-1/2X10 ALUMINUM NIPPLE | 148                         | 5               |
| ALUNIP3X10     | 3X10 ALUMINUM NIPPLE     | 196                         | 5               |
| ALUNIP3-1/2X10 | 3-1/2X10 ALUMINUM NIPPLE | 234                         | 4               |
| ALUNIP4X10     | 4X10 ALUMINUM NIPPLE     | 274                         | 4               |
| ALUNIP5X10     | 5X10 ALUMINUM NIPPLE     | 366                         | BLK             |
| ALUNIP6X10     | 6X10 ALUMINUM NIPPLE     | 481                         | BLK             |
| ALUNIP1/2X12   | 1/2X12 ALUMINUM NIPPLE   | 29                          | 25              |
| ALUNIP3/4X12   | 3/4X12 ALUMINUM NIPPLE   | 38                          | 25              |
| ALUNIP1X12     | 1X12 ALUMINUM NIPPLE     | 55                          | 25              |
| ALUNIP1-1/4X12 | 1-1/4X12 ALUMINUM NIPPLE | 75                          | 10              |
| ALUNIP1-1/2X12 | 1-1/2X12 ALUMINUM NIPPLE | 90                          | 10              |
| ALUNIP2X12     | 2X12 ALUMINUM NIPPLE     | 120                         | 10              |
| ALUNIP2-1/2X12 | 2-1/2X12 ALUMINUM NIPPLE | 180                         | 5               |
| ALUNIP3X12     | 3X12 ALUMINUM NIPPLE     | 240                         | 5               |
| ALUNIP3-1/2X12 | 3-1/2X12 ALUMINUM NIPPLE | 286                         | 4               |
| ALUNIP4X12     | 4X12 ALUMINUM NIPPLE     | 336                         | 4               |
| ALUNIP5X12     | 5X12 ALUMINUM NIPPLE     | 450                         | BLK             |
| ALUNIP6X12     | 6X12 ALUMINUM NIPPLE     | 591                         | BLK             |

# Original Korns Clamps

For Conduit, Strut, and  
Cable Tray Support Systems



Parallel Conduit Support



Right Angle Conduit Support



Beam Clamp



Edge Type Conduit Support

## The Original Korns Clamp

Malleable iron—  
Hot dip galvanized—standard. Also available with various grades of stainless steel hardware. Contact Korns representative or factory for pricing.



### Right Angle Conduit Supports

| Catalog Number | Description             | Weight Per 100 Pieces (lbs) | Standard Carton |
|----------------|-------------------------|-----------------------------|-----------------|
| KNRA-3/8       | 3/8 RIGHT ANGLE CLAMP   | 25                          | 50              |
| KNRA-1/2       | 1/2 RIGHT ANGLE CLAMP   | 40                          | 50              |
| KNRA-3/4       | 3/4 RIGHT ANGLE CLAMP   | 43                          | 50              |
| KNRA-1         | 1 RIGHT ANGLE CLAMP     | 48                          | 25              |
| KNRA-1-1/4     | 1-1/4 RIGHT ANGLE CLAMP | 53                          | 25              |
| KNRA-1-1/2     | 1-1/2 RIGHT ANGLE CLAMP | 58                          | 25              |
| KNRA-2         | 2 RIGHT ANGLE CLAMP     | 85                          | 25              |
| KNRA-2-1/2     | 2-1/2 RIGHT ANGLE CLAMP | 106                         | 20              |
| KNRA-3         | 3 RIGHT ANGLE CLAMP     | 110                         | 15              |
| KNRA-3-1/2     | 3-1/2 RIGHT ANGLE CLAMP | 128                         | 15              |
| KNRA-4         | 4 RIGHT ANGLE CLAMP     | 140                         | 10              |
| KNRA-5         | 5 RIGHT ANGLE CLAMP     | 330                         | 5               |
| KNRA-6         | 6 RIGHT ANGLE CLAMP     | 375                         | 5               |



### Parallel Conduit Supports

| Catalog Number | Description          | Weight Per 100 Pieces (lbs) | Standard Carton |
|----------------|----------------------|-----------------------------|-----------------|
| KNPAR-3/8      | 3/8 PARALLEL CLAMP   | 32                          | 50              |
| KNPAR-1/2      | 1/2 PARALLEL CLAMP   | 58                          | 40              |
| KNPAR-3/4      | 3/4 PARALLEL CLAMP   | 64                          | 30              |
| KNPAR-1        | 1 PARALLEL CLAMP     | 70                          | 30              |
| KNPAR-1-1/4    | 1-1/4 PARALLEL CLAMP | 72                          | 25              |
| KNPAR-1-1/2    | 1-1/2 PARALLEL CLAMP | 93                          | 20              |
| KNPAR-2        | 2 PARALLEL CLAMP     | 100                         | 20              |
| KNPAR-2-1/2    | 2-1/2 PARALLEL CLAMP | 135                         | 15              |
| KNPAR-3        | 3 PARALLEL CLAMP     | 155                         | 10              |
| KNPAR-3-1/2    | 3-1/2 PARALLEL CLAMP | 190                         | 10              |
| KNPAR-4        | 4 PARALLEL CLAMP     | 205                         | 10              |



### Edge Type Conduit Supports

| Catalog Number | Description      | Weight Per 100 Pieces (lbs) | Standard Carton |
|----------------|------------------|-----------------------------|-----------------|
| KNET-1/2       | 1/2 EDGE CLAMP   | 67                          | 30              |
| KNET-3/4       | 3/4 EDGE CLAMP   | 71                          | 30              |
| KNET-1         | 1 EDGE CLAMP     | 85                          | 20              |
| KNET-1-1/4     | 1-1/4 EDGE CLAMP | 91                          | 20              |
| KNET-1-1/2     | 1-1/2 EDGE CLAMP | 115                         | 20              |
| KNET-2         | 2 EDGE CLAMP     | 135                         | 15              |
| KNET-2-1/2     | 2-1/2 EDGE CLAMP | 183                         | 10              |
| KNET-3         | 3 EDGE CLAMP     | 230                         | 5               |

## The Original Korns Clamp with Stainless Steel Hardware

Malleable iron—  
Hot dip galvanized with 316 stainless steel hardware.



### Right Angle Conduit Supports - Stainless Steel

| Catalog Number | Description                             | Weight Per 100 Pieces (lbs) | Standard Carton |
|----------------|---|-----------------------------|-----------------|
| KNRA-1/2-GS    | 1/2 STAINLESS STEEL RIGHT ANGLE CLAMP   | 40                          | 50              |
| KNRA-3/4-GS    | 3/4 STAINLESS STEEL RIGHT ANGLE CLAMP   | 43                          | 50              |
| KNRA-1-GS      | 1 STAINLESS STEEL RIGHT ANGLE CLAMP     | 48                          | 25              |
| KNRA-1-1/4-GS  | 1-1/4 STAINLESS STEEL RIGHT ANGLE CLAMP | 53                          | 25              |
| KNRA-1-1/2-GS  | 1-1/2 STAINLESS STEEL RIGHT ANGLE CLAMP | 58                          | 25              |
| KNRA-2-GS      | 2 STAINLESS STEEL RIGHT ANGLE CLAMP     | 85                          | 25              |
| KNRA-2-1/2-GS  | 2-1/2 STAINLESS STEEL RIGHT ANGLE CLAMP | 106                         | 20              |
| KNRA-3-GS      | 3 STAINLESS STEEL RIGHT ANGLE CLAMP     | 110                         | 15              |
| KNRA-3-1/2-GS  | 3-1/2 STAINLESS STEEL RIGHT ANGLE CLAMP | 128                         | 15              |
| KNRA-4-GS      | 4 STAINLESS STEEL RIGHT ANGLE CLAMP     | 140                         | 10              |
| KNRA-5-GS      | 5 STAINLESS STEEL RIGHT ANGLE CLAMP     | 330                         | 5               |
| KNRA-6-GS      | 6 STAINLESS STEEL RIGHT ANGLE CLAMP     | 375                         | 5               |



### Parallel Conduit Supports - Stainless Steel

| Catalog Number | Description                          | Weight Per 100 Pieces (lbs) | Standard Carton |
|----------------|--------------------------------------|-----------------------------|-----------------|
| KNPAR-1/2-GS   | 1/2 STAINLESS STEEL PARALLEL CLAMP   | 58                          | 40              |
| KNPAR-3/4-GS   | 3/4 STAINLESS STEEL PARALLEL CLAMP   | 64                          | 30              |
| KNPAR-1-GS     | 1 STAINLESS STEEL PARALLEL CLAMP     | 70                          | 30              |
| KNPAR-1-1/4-GS | 1-1/4 STAINLESS STEEL PARALLEL CLAMP | 72                          | 25              |
| KNPAR-1-1/2-GS | 1-1/2 STAINLESS STEEL PARALLEL CLAMP | 93                          | 20              |
| KNPAR-2-GS     | 2 STAINLESS STEEL PARALLEL CLAMP     | 100                         | 20              |
| KNPAR-2-1/2-GS | 2-1/2 STAINLESS STEEL PARALLEL CLAMP | 135                         | 15              |
| KNPAR-3-GS     | 3 STAINLESS STEEL PARALLEL CLAMP     | 155                         | 5               |
| KNPAR-3-1/2-GS | 3-1/2 STAINLESS STEEL PARALLEL CLAMP | 190                         | 10              |
| KNPAR-4-GS     | 4 STAINLESS STEEL PARALLEL CLAMP     | 205                         | 10              |



### Edge Type Conduit Supports - Stainless Steel

| Catalog Number | Description                      | Weight Per 100 Pieces (lbs) | Standard Carton |
|----------------|----------------------------------|-----------------------------|-----------------|
| KNET-1/2-GS    | 1/2 STAINLESS STEEL EDGE CLAMP   | 67                          | 30              |
| KNET-3/4-GS    | 3/4 STAINLESS STEEL EDGE CLAMP   | 71                          | 30              |
| KNET-1-GS      | 1 STAINLESS STEEL EDGE CLAMP     | 85                          | 20              |
| KNET-1-1/4-GS  | 1-1/4 STAINLESS STEEL EDGE CLAMP | 91                          | 20              |
| KNET-1-1/2-GS  | 1-1/2 STAINLESS STEEL EDGE CLAMP | 115                         | 20              |
| KNET-2-GS      | 2 STAINLESS STEEL EDGE CLAMP     | 135                         | 15              |
| KNET-2-1/2-GS  | 2-1/2 STAINLESS STEEL EDGE CLAMP | 183                         | 25              |
| KNET-3-GS      | 3 STAINLESS STEEL EDGE CLAMP     | 230                         | 5               |



### Hot Dip Galvanized U-Bolts

| Catalog Number | Description | Weight Per 100 Pieces (lbs) | Standard Carton |
|----------------|-------------|-----------------------------|-----------------|
| KNUB-3/8       | 3/8 UBOLT   | 6                           | 100             |
| KNUB-1/2       | 1/2 UBOLT   | 13                          | 100             |
| KNUB-3/4       | 3/4 UBOLT   | 14                          | 100             |
| KNUB-1         | 1 UBOLT     | 15                          | 100             |
| KNUB-1-1/4     | 1-1/4 UBOLT | 16                          | 100             |
| KNUB-1-1/2     | 1-1/2 UBOLT | 18                          | 100             |
| KNUB-2         | 2 UBOLT     | 30                          | 100             |
| KNUB-2-1/2     | 2-1/2 UBOLT | 34                          | 100             |
| KNUB-3         | 3 UBOLT     | 38                          | 50              |
| KNUB-3-1/2     | 3-1/2 UBOLT | 40                          | 25              |
| KNUB-4         | 4 UBOLT     | 45                          | 25              |
| KNUB-5         | 5 UBOLT     | 95                          | 25              |
| KNUB-6         | 6 UBOLT     | 108                         | 25              |

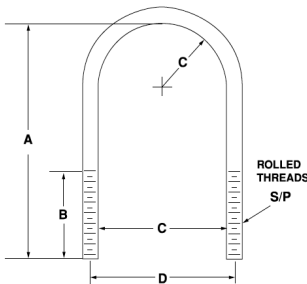
One nut each leg—  
Hot dip galvanized— standard.



### Stainless Steel U-Bolts

| Catalog Number | Description                 | Weight Per 100 Pieces (lbs) | Standard Carton |
|----------------|-----------------------------|-----------------------------|-----------------|
| KNUB-3/8-SS    | 3/8 STAINLESS STEEL UBOLT   | 6                           | 100             |
| KNUB-1/2-SS    | 1/2 STAINLESS STEEL UBOLT   | 13                          | 100             |
| KNUB-3/4-SS    | 3/4 STAINLESS STEEL UBOLT   | 14                          | 100             |
| KNUB-1-SS      | 1 STAINLESS STEEL UBOLT     | 15                          | 100             |
| KNUB-1-1/4-SS  | 1 1/4 STAINLESS STEEL UBOLT | 16                          | 100             |
| KNUB-1-1/2-SS  | 1 1/2 STAINLESS STEEL UBOLT | 18                          | 100             |
| KNUB-2-SS      | 2 STAINLESS STEEL UBOLT     | 30                          | 100             |
| KNUB-2-1/2-SS  | 2 1/2 STAINLESS STEEL UBOLT | 34                          | 100             |
| KNUB-3-SS      | 3 STAINLESS STEEL UBOLT     | 38                          | 50              |
| KNUB-3-1/2-SS  | 3 1/2 STAINLESS STEEL UBOLT | 40                          | 25              |
| KNUB-4-SS      | 4 STAINLESS STEEL UBOLT     | 45                          | 25              |
| KNUB-5-SS      | 5 STAINLESS STEEL UBOLT     | 95                          | 25              |
| KNUB-6-SS      | 6 STAINLESS STEEL UBOLT     | 108                         | 25              |

One stainless steel nut each leg.  
**Stainless Steel U-Bolts are non-cancelable and non-returnable.**



| Size   | A    | B    | C    | D    | S/P*      | R     |
|--------|------|------|------|------|-----------|-------|
| 3/8"   | N/A  | N/A  | N/A  | N/A  | 1/4 - 20  | N/A   |
| 1/2"   | 2.41 | 1.50 | .85  | 1.16 | 5/16 - 18 | .443  |
| 3/4"   | 2.73 | 1.50 | 1.11 | 1.42 | 5/16 - 18 | .573  |
| 1"     | 3.04 | 1.50 | 1.41 | 1.72 | 5/16 - 18 | .723  |
| 1-1/4" | 3.16 | 1.50 | 1.75 | 2.06 | 5/16 - 18 | .893  |
| 1-1/2" | 3.48 | 1.50 | 2.03 | 2.34 | 5/16 - 18 | 1.033 |
| 2"     | 4.30 | 1.75 | 2.50 | 2.88 | 3/8 - 16  | 1.275 |
| 2-1/2" | 4.80 | 1.75 | 3.03 | 3.40 | 3/8 - 16  | 1.535 |
| 3"     | 5.36 | 1.75 | 3.67 | 4.04 | 3/8 - 16  | 1.855 |
| 3-1/2" | 5.80 | 1.75 | 4.15 | 4.52 | 3/8 - 16  | 2.095 |
| 4"     | 6.50 | 1.75 | 4.53 | 4.90 | 3/8 - 16  | 2.285 |
| 5"     | 7.88 | 2.50 | 5.75 | 6.25 | 1/2 - 13  | 2.902 |
| 6"     | 8.88 | 2.50 | 6.81 | 7.31 | 1/2 - 13  | 3.432 |

\*Thread size and pitch.

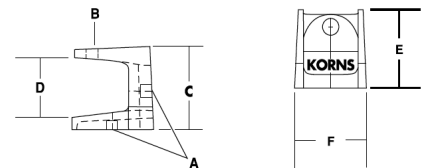


## Beam Clamps

| Catalog Number | Description    | Weight Per 100 Pieces (lbs) | Standard Carton |
|----------------|----------------|-----------------------------|-----------------|
| KNKBC-101      | 101 BEAM CLAMP | 25                          | 25              |
| KNKBC-102      | 102 BEAM CLAMP | 50                          | 25              |
| KNKBC-103      | 103 BEAM CLAMP | 95                          | 10              |
| KNKBC-104      | 104 BEAM CLAMP | 195                         | 10              |

Malleable iron with steel set screw—  
Hot Dip Galvanized— Standard.

| Trade Dimensions (Inches) |         |         |       |       |       |       |
|---------------------------|---------|---------|-------|-------|-------|-------|
| Size                      | A       | B       | C     | D     | E     | F     |
| 1                         | 1/4–20  | 5/16–18 | 1-1/2 | 1     | 1-1/4 | 1     |
| 1-1/2                     | 5/16–18 | 3/8–16  | 1-3/4 | 1     | 1-5/8 | 1-1/2 |
| 2                         | 3/8–16  | 1/2–13  | 2-1/8 | 1-3/8 | 2     | 2     |
| 2-1/2                     | 1/2–13  | 1/2–13  | 2-1/4 | 1-3/8 | 2-1/2 | 2-3/4 |



## One-Hole Straps

| Catalog Number | Description          | Weight Per 100 Pieces (lbs) | Standard Carton |
|----------------|----------------------|-----------------------------|-----------------|
| KNOHK-1/2      | 1/2 ONE HOLE STRAP   | 6                           | 50              |
| KNOHK-3/4      | 3/4 ONE HOLE STRAP   | 9                           | 50              |
| KNOHK-1        | 1 ONE HOLE STRAP     | 12                          | 50              |
| KNOHK-1-1/4    | 1-1/4 ONE HOLE STRAP | 20                          | 25              |
| KNOHK-1-1/2    | 1-1/2 ONE HOLE STRAP | 28                          | 25              |
| KNOHK-2        | 2 ONE HOLE STRAP     | 63                          | 25              |
| KNOHK-2-1/2    | 2-1/2 ONE HOLE STRAP | 104                         | 25              |
| KNOHK-3        | 3 ONE HOLE STRAP     | 126                         | 25              |
| KNOHK-3-1/2    | 3-1/2 ONE HOLE STRAP | 156                         | 10              |
| KNOHK-4        | 4 ONE HOLE STRAP     | 231                         | 10              |

Malleable iron—Rigid/IMC  
Hot dip galvanized—standard.



## Clampback Spacers

| Catalog Number | Description            | Weight Per 100 Pieces (lbs) | Standard Carton |
|----------------|------------------------|-----------------------------|-----------------|
| KNCSK-1/2      | 1/2 CLAMPBACK SPACER   | 8                           | 50              |
| KNCSK-3/4      | 3/4 CLAMPBACK SPACER   | 9                           | 50              |
| KNCSK-1        | 1 CLAMPBACK SPACER     | 15                          | 50              |
| KNCSK-1-1/4    | 1 1/4 CLAMPBACK SPACER | 16                          | 25              |
| KNCSK-1-1/2    | 1 1/2 CLAMPBACK SPACER | 22                          | 25              |
| KNCSK-2        | 2 CLAMPBACK SPACER     | 43                          | 25              |
| KNCSK-2-1/2    | 2 1/2 CLAMPBACK SPACER | 51                          | 25              |
| KNCSK-3        | 3 CLAMPBACK SPACER     | 71                          | 25              |
| KNCSK-3-1/2    | 3 1/2 CLAMPBACK SPACER | 101                         | 10              |
| KNCSK-4        | 4 CLAMPBACK SPACER     | 124                         | 10              |

Malleable iron—Rigid/IMC  
Hot dip galvanized—standard.



## Appendix

### Article 310 – Conductors for General Wiring

Table 310.16 Allowable ampacities of insulated conductors rated 0 through 2000 volts, 60°C through 90°C (140°F through 194°F), not more than three current-carrying conductors in raceway, cable, or earth (directly buried), based on ambient temperature of 30°C (86°F)

| Temperature Rating of Conductors |   |                |  |                                       |                |   |                   |
|----------------------------------|---|----------------|--|---------------------------------------|----------------|---|-------------------|
|                                  | 60°C - (140°F)                            | 75°C - (167°F) | 90°C - (194°F)   | 60°C - (140°F)                        | 75°C - (167°F) | 90°C - (194°F)  |                   |
|                                  | Types RHW, THHW, THW, THWN, XHHW, USE, ZW |                | Types TBS, SA, SIS, FEP, FEPB, MI, RHH, RHW-2, THHN, THHW, THW-2, THWN-2, USE-2, XHH, XHHW, XHHW-2, ZW-2 | Types RHW, THHW, THW, THWN, XHHW, USE |                | Types TBS, SA, SIS, THHN, THHW, THW-2, RHH, RHW-2, USE-2, XHH, XHHW, XHHW-2, ZW-2 |                   |
| Size AWG or kcmil                | Copper                                    |                |  | Aluminum or Copper-Clad Aluminum      |                |   | Size AWG or kcmil |
| 18                               |   |                | 14   |                                       |                |   |                   |
| 16                               |   |                | 18   |                                       |                |   |                   |
| 14*                              | 20  | 20             | 25   |                                       |                |   |                   |
| 12*                              | 25  | 25             | 30   | 20                                    | 20             | 25  | 12*               |
| 10*                              | 30  | 35             | 40   | 25                                    | 30             | 35  | 10*               |
| 8                                | 40  | 50             | 55   | 30                                    | 40             | 45  | 8                 |
| 6                                | 55  | 65             | 75   | 40                                    | 50             | 60  | 6                 |
| 4                                | 70  | 85             | 95   | 55                                    | 65             | 75  | 4                 |
| 3                                | 85  | 100            | 110  | 65                                    | 75             | 85  | 3                 |
| 2                                | 95  | 115            | 130  | 75                                    | 90             | 100   | 2                 |
| 1                                | 110                                       | 130            | 150  | 85                                    | 100            | 115   | 1                 |
| 1/0                              | 125                                       | 150            | 170  | 100                                   | 120            | 135   | 1/0               |
| 2/0                              | 145                                       | 175            | 195  | 115                                   | 135            | 150   | 2/0               |
| 3/0                              | 165                                       | 200            | 225  | 130                                   | 155            | 175   | 3/0               |
| 4/0                              | 195                                       | 230            | 260  | 150                                   | 180            | 205   | 4/0               |
| 250                              | 215                                       | 255            | 290  | 170                                   | 205            | 230   | 250               |
| 300                              | 240                                       | 285            | 320  | 190                                   | 230            | 255   | 300               |
| 350                              | 260                                       | 310            | 350  | 210                                   | 250            | 280   | 350               |
| 400                              | 280                                       | 335            | 380  | 225                                   | 270            | 305   | 400               |
| 500                              | 320                                       | 380            | 430  | 260                                   | 310            | 350   | 500               |
| 600                              | 355                                       | 420            | 475  | 285                                   | 340            | 385   | 600               |
| 700                              | 385                                       | 460            | 520  | 310                                   | 375            | 420   | 700               |
| 750                              | 400                                       | 475            | 535  | 320                                   | 385            | 435   | 750               |
| 800                              | 410                                       | 490            | 555  | 330                                   | 395            | 450   | 800               |
| 900                              | 435                                       | 520            | 585  | 355                                   | 425            | 480   | 900               |
| 1000                             | 455                                       | 545            | 615  | 375                                   | 445            | 500   | 1000              |
| 1250                             | 495                                       | 590            | 665  | 405                                   | 485            | 545   | 1250              |
| 1500                             | 520                                       | 625            | 705  | 435                                   | 520            | 585   | 1500              |
| 1750                             | 545                                       | 650            | 735  | 455                                   | 545            | 615   | 1750              |
| 2000                             | 560                                       | 665            | 750  | 470                                   | 560            | 630   | 2000              |

### Correction Factors

| Ambient Temp. (°C) | For ambient temperatures other than 30°C (86°F), multiply the allowable ampacities shown above by the appropriate factor shown below. |      |      |      |      |      | Ambient Temp. (°F) |
|--------------------|---|------|------|------|------|------|--------------------|
| 21 - 25            | 1.08  | 1.05 | 1.04 | 1.08 | 1.05 | 1.04 | 70 - 77            |
| 26 - 30            | 1.00  | 1.00 | 1.00 | 1.00 | 1.00 | 1.00 | 78 - 86            |
| 31 - 35            | 0.91  | 0.94 | 0.96 | 0.91 | 0.94 | 0.96 | 87 - 95            |
| 36 - 40            | 0.82  | 0.88 | 0.91 | 0.82 | 0.88 | 0.91 | 96 - 104           |
| 41 - 45            | 0.71  | 0.82 | 0.87 | 0.71 | 0.82 | 0.87 | 105 - 113          |
| 46 - 50            | 0.58  | 0.75 | 0.82 | 0.58 | 0.75 | 0.82 | 114 - 122          |
| 51 - 55            | 0.41  | 0.67 | 0.76 | 0.41 | 0.67 | 0.76 | 123 - 131          |
| 56 - 60            |   | 0.58 | 0.71 |      | 0.58 | 0.71 | 132 - 140          |
| 61 - 70            |   | 0.33 | 0.58 |      | 0.33 | 0.58 | 141 - 158          |
| 71 - 80            |   |      | 0.41 |      |      | 0.41 | 159 - 176          |

## Appendix

**Table C8 – Maximum Number of Conductors or Fixture Wires in Rigid Metal Conduit (RMC) (Based on Table 1, Chapter 9)**

| Type                     | Size (AWG)   | 16                             | 21  | 27 | 35   | 41  | 53 | 63  | 78  | 91  | 103 | 129 | 155 |
|--------------------------|--------------|--------------------------------|-----|----|------|-----|----|-----|-----|-----|-----|-----|-----|
|                          | Size (kcmil) | .5                             | .75 | 1  | 1.25 | 1.5 | 2  | 2.5 | 3   | 3.5 | 4   | 5   | 6   |
|                          | Con-ductor   | Metric Designator (Trade Size) |     |    |      |     |    |     |     |     |     |     |     |
| RHH,<br>RHW,<br>RHW-2    | 14           | 4                              | 7   | 12 | 21   | 28  | 46 | 66  | 102 | 136 | 176 | 276 | 398 |
|                          | 12           | 3                              | 6   | 10 | 17   | 23  | 38 | 55  | 85  | 113 | 146 | 229 | 330 |
|                          | 10           | 3                              | 5   | 8  | 14   | 19  | 31 | 44  | 68  | 91  | 118 | 185 | 267 |
|                          | 8            | 1                              | 2   | 4  | 7    | 10  | 16 | 23  | 36  | 48  | 61  | 97  | 139 |
|                          | 6            | 1                              | 1   | 3  | 6    | 8   | 13 | 18  | 29  | 38  | 49  | 77  | 112 |
|                          | 4            | 1                              | 1   | 2  | 4    | 6   | 10 | 14  | 22  | 30  | 38  | 60  | 87  |
|                          | 3            | 1                              | 1   | 2  | 4    | 5   | 9  | 12  | 19  | 26  | 34  | 53  | 76  |
|                          | 2            | 1                              | 1   | 1  | 3    | 4   | 7  | 11  | 17  | 23  | 29  | 46  | 66  |
|                          | 1            | 0                              | 1   | 1  | 1    | 3   | 5  | 7   | 11  | 15  | 19  | 30  | 44  |
|                          | 1/0          | 0                              | 1   | 1  | 1    | 2   | 4  | 6   | 10  | 13  | 17  | 26  | 38  |
|                          | 2/0          | 0                              | 1   | 1  | 1    | 2   | 4  | 5   | 8   | 11  | 14  | 23  | 33  |
|                          | 3/0          | 0                              | 0   | 1  | 1    | 1   | 3  | 4   | 7   | 10  | 12  | 20  | 28  |
|                          | 4/0          | 0                              | 0   | 1  | 1    | 1   | 3  | 4   | 6   | 8   | 11  | 17  | 24  |
|                          | 250          | 0                              | 0   | 0  | 1    | 1   | 1  | 3   | 4   | 6   | 8   | 13  | 18  |
|                          | 300          | 0                              | 0   | 0  | 1    | 1   | 1  | 2   | 4   | 5   | 7   | 11  | 16  |
|                          | 350          | 0                              | 0   | 0  | 1    | 1   | 1  | 2   | 4   | 5   | 6   | 10  | 15  |
|                          | 400          | 0                              | 0   | 0  | 1    | 1   | 1  | 1   | 3   | 4   | 6   | 9   | 13  |
| 500                      | 0            | 0                              | 0   | 1  | 1    | 1   | 1  | 3   | 4   | 5   | 8   | 11  |     |
| 600                      | 0            | 0                              | 0   | 0  | 1    | 1   | 1  | 2   | 3   | 4   | 6   | 9   |     |
| 700                      | 0            | 0                              | 0   | 0  | 1    | 1   | 1  | 1   | 3   | 4   | 6   | 8   |     |
| 750                      | 0            | 0                              | 0   | 0  | 0    | 1   | 1  | 1   | 3   | 3   | 5   | 8   |     |
| 800                      | 0            | 0                              | 0   | 0  | 0    | 1   | 1  | 1   | 2   | 3   | 5   | 7   |     |
| 900                      | 0            | 0                              | 0   | 0  | 0    | 1   | 1  | 1   | 2   | 3   | 5   | 7   |     |
| 1000                     | 0            | 0                              | 0   | 0  | 0    | 1   | 1  | 1   | 1   | 3   | 4   | 6   |     |
| TW,                      | 14           | 9                              | 15  | 25 | 44   | 59  | 98 | 140 | 216 | 288 | 370 | 581 | 839 |
| THHW,                    | 12           | 7                              | 12  | 19 | 33   | 45  | 75 | 107 | 165 | 221 | 284 | 446 | 644 |
| THW,                     | 10           | 5                              | 9   | 14 | 25   | 34  | 56 | 80  | 123 | 164 | 212 | 332 | 480 |
| THW-2                    | 8            | 3                              | 5   | 8  | 14   | 19  | 31 | 44  | 68  | 91  | 118 | 185 | 267 |
| RHH*,<br>RHW*,<br>RHW-2* | 14           | 6                              | 10  | 17 | 29   | 39  | 65 | 93  | 143 | 191 | 246 | 387 | 558 |
| RHH*,<br>RHW*,<br>RHW-2* | 12           | 5                              | 8   | 13 | 23   | 32  | 52 | 75  | 115 | 154 | 198 | 311 | 448 |
| RHH*,<br>RHW*,<br>RHW-2* | 10           | 3                              | 6   | 10 | 18   | 25  | 41 | 58  | 90  | 120 | 154 | 242 | 350 |
| RHH*,<br>RHW*,<br>RHW-2* | 8            | 1                              | 4   | 6  | 11   | 15  | 24 | 35  | 54  | 72  | 92  | 145 | 209 |

| Type   | Size (AWG)   | 16                             | 21  | 27 | 35   | 41  | 53  | 63  | 78  | 91  | 103 | 129 | 155  |
|--|--------------|--------------------------------|-----|----|------|-----|-----|-----|-----|-----|-----|-----|------|
|  | Size (kcmil) | .5                             | .75 | 1  | 1.25 | 1.5 | 2   | 2.5 | 3   | 3.5 | 4   | 5   | 6    |
|  | Con-ductor   | Metric Designator (Trade Size) |     |    |      |     |     |     |     |     |     |     |      |
| RHH*,<br>RHW*,<br>RHW-2*,<br>TW,<br>THW,<br>THHW,<br>THW-2 | 6            | 1                              | 3   | 5  | 8    | 11  | 18  | 27  | 41  | 55  | 71  | 111 | 160  |
|  | 4            | 1                              | 1   | 3  | 6    | 8   | 14  | 20  | 31  | 41  | 53  | 83  | 120  |
|  | 3            | 1                              | 1   | 3  | 5    | 7   | 12  | 17  | 26  | 35  | 45  | 71  | 103  |
|  | 2            | 1                              | 1   | 2  | 4    | 6   | 10  | 14  | 22  | 30  | 38  | 60  | 87   |
|  | 1            | 1                              | 1   | 1  | 3    | 4   | 7   | 10  | 15  | 21  | 27  | 42  | 61   |
|  | 1/0          | 0                              | 1   | 1  | 2    | 3   | 6   | 8   | 13  | 18  | 23  | 36  | 52   |
|  | 2/0          | 0                              | 1   | 1  | 2    | 3   | 5   | 7   | 11  | 15  | 19  | 31  | 44   |
|  | 3/0          | 0                              | 1   | 1  | 1    | 2   | 4   | 6   | 9   | 13  | 16  | 26  | 37   |
|  | 4/0          | 0                              | 0   | 1  | 1    | 1   | 3   | 5   | 8   | 10  | 14  | 21  | 31   |
|  | 250          | 0                              | 0   | 1  | 1    | 1   | 3   | 4   | 6   | 8   | 11  | 17  | 25   |
|  | 300          | 0                              | 0   | 1  | 1    | 1   | 2   | 3   | 5   | 7   | 9   | 15  | 22   |
|  | 350          | 0                              | 0   | 0  | 1    | 1   | 1   | 3   | 5   | 6   | 8   | 13  | 19   |
|  | 400          | 0                              | 0   | 0  | 1    | 1   | 1   | 3   | 4   | 6   | 7   | 12  | 17   |
|  | 500          | 0                              | 0   | 0  | 1    | 1   | 1   | 2   | 3   | 5   | 6   | 10  | 14   |
|  | 600          | 0                              | 0   | 0  | 1    | 1   | 1   | 1   | 3   | 4   | 5   | 8   | 12   |
|  | 700          | 0                              | 0   | 0  | 0    | 1   | 1   | 1   | 2   | 3   | 4   | 7   | 10   |
|  | 750          | 0                              | 0   | 0  | 0    | 1   | 1   | 1   | 2   | 3   | 4   | 7   | 10   |
| 800  | 0            | 0                              | 0   | 0  | 1    | 1   | 1   | 2   | 3   | 4   | 6   | 9   |      |
| 900  | 0            | 0                              | 0   | 0  | 1    | 1   | 1   | 1   | 3   | 4   | 6   | 8   |      |
| 1000   | 0            | 0                              | 0   | 0  | 0    | 1   | 1   | 1   | 2   | 3   | 5   | 8   |      |
| THHN,<br>THWN,<br>THWN-2                                   | 14           | 13                             | 22  | 36 | 63   | 85  | 140 | 200 | 309 | 412 | 531 | 833 | 1202 |
|  | 12           | 9                              | 16  | 26 | 46   | 62  | 102 | 146 | 225 | 301 | 387 | 608 | 877  |
|  | 10           | 6                              | 10  | 17 | 29   | 39  | 64  | 92  | 142 | 189 | 244 | 383 | 552  |
|  | 8            | 3                              | 6   | 9  | 16   | 22  | 37  | 53  | 82  | 109 | 140 | 221 | 318  |
|  | 6            | 2                              | 4   | 7  | 12   | 16  | 27  | 38  | 59  | 79  | 101 | 159 | 230  |
|  | 4            | 1                              | 2   | 4  | 7    | 10  | 16  | 23  | 36  | 48  | 62  | 98  | 141  |
|  | 3            | 1                              | 1   | 3  | 6    | 8   | 14  | 20  | 31  | 41  | 53  | 83  | 120  |
|  | 2            | 1                              | 1   | 3  | 5    | 7   | 11  | 17  | 26  | 34  | 44  | 70  | 100  |
|  | 1            | 1                              | 1   | 1  | 4    | 5   | 8   | 12  | 19  | 25  | 33  | 51  | 74   |
|  | 1/0          | 1                              | 1   | 1  | 3    | 4   | 7   | 10  | 16  | 21  | 27  | 43  | 63   |
|  | 2/0          | 0                              | 1   | 1  | 2    | 3   | 6   | 8   | 13  | 18  | 23  | 36  | 52   |
|  | 3/0          | 0                              | 1   | 1  | 1    | 3   | 5   | 7   | 11  | 15  | 19  | 30  | 43   |
|  | 4/0          | 0                              | 1   | 1  | 1    | 2   | 4   | 6   | 9   | 12  | 16  | 25  | 36   |
|  | 250          | 0                              | 0   | 1  | 1    | 1   | 3   | 5   | 7   | 10  | 13  | 20  | 29   |
|  | 300          | 0                              | 0   | 1  | 1    | 1   | 3   | 4   | 6   | 8   | 11  | 17  | 25   |
|  | 350          | 0                              | 0   | 1  | 1    | 1   | 2   | 3   | 5   | 7   | 10  | 15  | 22   |
|  | 400          | 0                              | 0   | 1  | 1    | 1   | 2   | 3   | 5   | 7   | 8   | 13  | 20   |
| 500  | 0            | 0                              | 0   | 1  | 1    | 1   | 2   | 4   | 5   | 7   | 11  | 16  |      |
| 600  | 0            | 0                              | 0   | 1  | 1    | 1   | 1   | 3   | 4   | 6   | 9   | 13  |      |
| 700  | 0            | 0                              | 0   | 1  | 1    | 1   | 1   | 3   | 4   | 5   | 8   | 11  |      |
| 750  | 0            | 0                              | 0   | 0  | 1    | 1   | 1   | 3   | 4   | 5   | 7   | 11  |      |
| 800  | 0            | 0                              | 0   | 0  | 1    | 1   | 1   | 2   | 3   | 4   | 7   | 10  |      |
| 900  | 0            | 0                              | 0   | 0  | 1    | 1   | 1   | 2   | 3   | 4   | 6   | 9   |      |
| 1000   | 0            | 0                              | 0   | 0  | 1    | 1   | 1   | 1   | 3   | 4   | 6   | 8   |      |

Reprinted with permission from NFPA 70-1999, National Electrical Code®, Copyright © 1998, National Fire Protection Association, Quincy, MA 02269. This reprinted material is not the complete and official position of the NFPA on the referenced subject, which is represented only by the standard in its entirety. National Electrical Code and NEC are registered trademarks of the National Fire Protection Association, Quincy, MA.

**Note:** This table is for concentric stranded conductors only. For compact stranded conductors, Table C8(A) should be used. \*Types RHH, RHW, and RHW-2 without outer covering.

**Robroy Conduit Pipe Fittings are manufactured in accordance with the provisions of the following specifications:**

**Galvanized Rigid Metal Conduit**

Underwriters' Laboratories, Inc. Standard UL-6  
American National Standards Institute, Inc. ANSI C80.1

**Electrical Metallic Tubing**

Underwriters' Laboratories, Inc. Standard UL-797  
American National Standards Institute, Inc. ANSI C80.3

**Aluminum Rigid Conduit**

Underwriters' Laboratories, Inc. Standard UL-6  
American National Standards Institute, Inc. ANSI C80.5

**NEMA – NEMRA – NMG Group–NAED Associates**

CSA APPROVED

• C 22.2 NO 45 • C22.2 NO 83



**ECN / KORNS**  
RACEWAY DIVISION

3159 Wilkes Power Plant Road  
Avinger, Texas 75630  
**Telephone:** 903-562-1342  
**Fax:** 903-562-1711



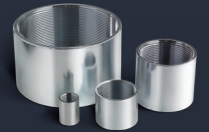
**ECN / KORNS**  
RACEWAY DIVISION

# Buyer's Guide



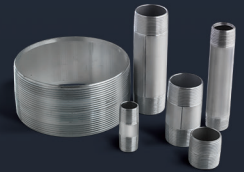
## Elbows

Galvanized  
EMT  
Aluminum



## Couplings

Galvanized  
Aluminum



## Nipples

Galvanized  
Aluminum



## Clamps

Right Angle (RA) Conduit Supports  
Edge Type (ET) Conduit Supports  
One Hole Straps  
Clampback Spacers  
U-Bolts  
SS Hardware  
Parallels (PAR)  
Beam Clamps

UL Listed and Labeled

### Rigid Steel Conduit Galvanized Couplings

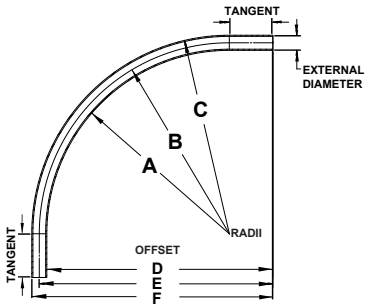
| Catalog Number | Description                 | Weight Per 100 Pieces (lbs) | Standard Carton |
|----------------|-----------------------------|-----------------------------|-----------------|
| GALCPLG1/2     | 1/2" GALVANIZED COUPLINGS   | 12                          | 100             |
| GALCPLG3/4     | 3/4" GALVANIZED COUPLINGS   | 18                          | 50              |
| GALCPLG1       | 1" GALVANIZED COUPLINGS     | 31                          | 50              |
| GALCPLG1-1/4   | 1-1/4" GALVANIZED COUPLINGS | 40                          | 50              |
| GALCPLG1-1/2   | 1-1/2" GALVANIZED COUPLINGS | 52                          | 50              |
| GALCPLG2       | 2" GALVANIZED COUPLINGS     | 73                          | 20              |
| GALCPLG2-1/2   | 2-1/2" GALVANIZED COUPLINGS | 179                         | 12              |
| GALCPLG3       | 3" GALVANIZED COUPLINGS     | 221                         | 12              |
| GALCPLG3-1/2   | 3-1/2" GALVANIZED COUPLINGS | 355                         | 12              |
| GALCPLG4       | 4" GALVANIZED COUPLINGS     | 313                         | 12              |
| GALCPLG5       | 5" GALVANIZED COUPLINGS     | 432                         | BLK             |
| GALCPLG6       | 6" GALVANIZED COUPLINGS     | 730                         | BLK             |

UL Listed and Labeled

### Rigid Conduit Standard Radius Elbows

| Catalog Number | Description                | Weight Per 100 Pieces (lbs) | Standard Carton | Radius |
|----------------|----------------------------|-----------------------------|-----------------|--------|
| GALELB1/2X90   | 1/2X90 GALVANIZED ELBOWS   | 75                          | 50              | 4.25"  |
| GALELB3/4X90   | 3/4X90 GALVANIZED ELBOWS   | 109                         | 50              | 4.50"  |
| GALELB1X90     | 1X90 GALVANIZED ELBOWS     | 189                         | 25              | 5.75"  |
| GALELB1-1/4X90 | 1-1/4X90 GALVANIZED ELBOWS | 303                         | 10              | 7.25"  |
| GALELB1-1/2X90 | 1-1/2X90 GALVANIZED ELBOWS | 416                         | 15              | 8.25"  |
| GALELB2X90     | 2X90 GALVANIZED ELBOWS     | 635                         | 10              | 9.50"  |
| GALELB2-1/2X90 | 2-1/2X90 GALVANIZED ELBOWS | 1217                        | BLK             | 10.50" |
| GALELB3X90     | 3X90 GALVANIZED ELBOWS     | 1801                        | BLK             | 13.00" |
| GALELB3-1/2X90 | 3-1/2X90 GALVANIZED ELBOWS | 2684                        | BLK             | 15.00" |
| GALELB4X90     | 4X90 GALVANIZED ELBOWS     | 3166                        | BLK             | 16.00" |
| GALELB5X90     | 5X90 GALVANIZED ELBOWS     | 6339                        | BLK             | 24.00" |
| GALELB6X90     | 6X90 GALVANIZED ELBOWS     | 10575                       | BLK             | 30.00" |
| GALELB1/2X45   | 1/2X45 GALVANIZED ELBOWS   | 64                          | 50              | 4.25"  |
| GALELB3/4X45   | 3/4X45 GALVANIZED ELBOWS   | 93                          | 50              | 4.50"  |
| GALELB1X45     | 1X45 GALVANIZED ELBOWS     | 161                         | 25              | 5.75"  |
| GALELB1-1/4X45 | 1-1/4X45 GALVANIZED ELBOWS | 258                         | 10              | 7.25"  |
| GALELB1-1/2X45 | 1-1/2X45 GALVANIZED ELBOWS | 354                         | 15              | 8.25"  |
| GALELB2X45     | 2X45 GALVANIZED ELBOWS     | 540                         | 10              | 9.50"  |
| GALELB2-1/2X45 | 2-1/2X45 GALVANIZED ELBOWS | 1034                        | BLK             | 10.50" |
| GALELB3X45     | 3X45 GALVANIZED ELBOWS     | 1531                        | BLK             | 13.00" |
| GALELB3-1/2X45 | 3-1/2X45 GALVANIZED ELBOWS | 2281                        | BLK             | 15.00" |
| GALELB4X45     | 4X45 GALVANIZED ELBOWS     | 2691                        | BLK             | 16.00" |
| GALELB5X45     | 5X45 GALVANIZED ELBOWS     | 5388                        | BLK             | 24.00" |
| GALELB6X45     | 6X45 GALVANIZED ELBOWS     | 8989                        | BLK             | 30.00" |

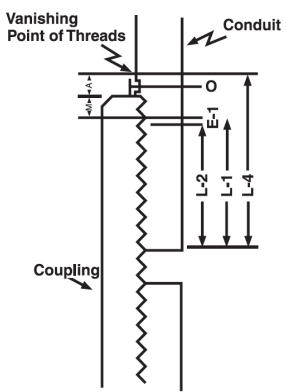
Weights shown are approximate for 90° elbows. To arrive at weights for 45° elbows deduct 15%. Sizes 2-1/2 " and larger shipped in palletized cartons or bulk, thread protectors each end and ECN/Korns identifying label.



### Conduit 90° Standard Radius Elbows

| Nominal Size (in.) | Diameters      |                | Unbent Length (in.) | Radii   |         |         | Offset  |         |         | Tangent (in.) | Steel Approx. Weight per 100 Pieces (lbs.) |
|--------------------|----------------|----------------|---------------------|---------|---------|---------|---------|---------|---------|---------------|--|
|                    | External (in.) | Internal (in.) |                     | A (in.) | B (in.) | C (in.) | D (in.) | E (in.) | F (in.) |               |  |
| 1/2                | .840           | .622           | 11¼                 | 3.83    | 4.25    | 4.67    | 6.08    | 6.50    | 6.92    | 2.25          | 75   |
| 3/4                | 1.050          | .824           | 12½                 | 3.98    | 4.50    | 5.03    | 6.73    | 7.25    | 7.78    | 2.75          | 111  |
| 1                  | 1.315          | 1.049          | 14¾                 | 5.09    | 5.75    | 6.41    | 8.00    | 8.625   | 9.285   | 2.875         | 195  |
| 1 1/4              | 1.660          | 1.380          | 17¾                 | 6.42    | 7.25    | 8.08    | 9.607   | 10.437  | 11.267  | 3.187         | 320  |
| 1 1/2              | 1.900          | 1.610          | 19¾                 | 7.30    | 8.25    | 9.20    | 10.675  | 11.625  | 12.575  | 3.375         | 423  |
| 2                  | 2.375          | 2.067          | 22½                 | 8.31    | 9.50    | 10.69   | 12.123  | 13.313  | 14.50   | 3.813         | 671  |
| 2 1/2              | 2.875          | 2.469          | 28                  | 9.06    | 10.50   | 11.94   | 14.81   | 16.25   | 17.69   | 5.753         | 1,288                                      |
| 3                  | 3.500          | 3.068          | 32                  | 11.25   | 13.00   | 14.75   | 17.00   | 18.75   | 20.50   | 5.753         | 1,926                                      |
| 3 1/2              | 4.000          | 3.548          | 39½                 | 13.00   | 15.00   | 17.00   | 20.97   | 22.97   | 24.97   | 7.96          | 2,853                                      |
| 4                  | 4.500          | 4.026          | 39½                 | 13.75   | 16.00   | 18.25   | 20.93   | 23.18   | 25.43   | 7.18          | 3,373                                      |
| 5                  | 5.563          | 5.047          | 59½                 | 21.22   | 24.00   | 26.78   | 32.12   | 34.90   | 37.68   | 10.90         | 7,388                                      |
| 6                  | 6.625          | 6.065          | 76                  | 26.68   | 30.00   | 33.31   | 40.13   | 43.44   | 46.75   | 14.44         | 12,287                                     |

All dimensions are approximate.



### Conduit Thread and Coupling Dimensions

| Conduit      |                        | Threads   |                        |   |  |  | Coupling*   |                          |                                       |
|--------------|------------------------|---|------------------------|---|--|--|---|--------------------------|---------------------------------------|
| Nominal Size | Threads Per Inch (No.) | Length from End of Pipe to Hand-Tight Plane (L-1) | Effective Length (L-2) | Total Length of Threads to Vanish Point (L-4) | Pitch Diameter at End of Thread 3/4" Taper per Ft. | Pitch Diameter at Hand-Tight Plane (E-1) | Length from Hand-Tight Plane to Face Coupling (M) | Dia. of Counter-sink (Q) | Hand-Tight Stand Off Basic Inches (A) |
| 1/2          | 14                     | .5658   | .5337                  | .7815   | .7584  | .7938                                    | .1086   | .840                     | 1½                                    |
| 3/4          | 14                     | .5778   | .5457                  | .7935   | .9677  | 1.0038                                   | .1086   | 1.050                    | 1½                                    |
| 1            | 11-1/2                 | .7217   | .6828                  | .9845   | 1.2136   | 1.2587                                   | .1323   | 1.315                    | 1½                                    |
| 1-1/4        | 11-1/2                 | .7457   | .7068                  | 1.0085  | 1.5571   | 1.6037                                   | .1323   | 1.660                    | 1½                                    |
| 1-1/2        | 11-1/2                 | .7624   | .7235                  | 1.0252  | 1.7961   | 1.8437                                   | .1323   | 1.900                    | 1½                                    |
| 2            | 11-1/2                 | .7954   | .7565                  | 1.0582  | 2.2690   | 2.3187                                   | .1323   | 2.375                    | 1½                                    |
| 2-1/2        | 8                      | 1.1935  | 1.1375                 | 1.5712  | 2.7195   | 2.7941                                   | .1902   | 2.875                    | 1½                                    |
| 3            | 8                      | 1.2560  | 1.2000                 | 1.6337  | 3.3406   | 3.4191                                   | .1902   | 3.500                    | 1½                                    |
| 3-1/2        | 8                      | 1.3060  | 1.2500                 | 1.6837  | 3.8375   | 3.9191                                   | .1902   | 4.000                    | 1½                                    |
| 4            | 8                      | 1.3560  | 1.3000                 | 1.7337  | 4.3344   | 4.4191                                   | .1902   | 4.500                    | 1½                                    |
| 5            | 8                      | 1.4623  | 1.4063                 | 1.8400  | 5.3907   | 5.4821                                   | .1902   | 5.563                    | 1½                                    |
| 6            | 8                      | 1.5685  | 1.5125                 | 1.9462  | 6.4461   | 6.5441                                   | .1902   | 6.625                    | 1½                                    |

\*Couplings are straight tapped.

Tolerance, thread length = ±1 thread. Plus or minus 1 turn is the maximum variation permitted from the gaging face of the working thread gages. This is equivalent to plus or minus 1 and 1/2 turns from basic dimensions, since a variation of plus or minus 1/2 turn from basic dimensions is permitted in working gages.

**Galvanized Special Radius Elbows (Factory Mandrel Tested)**

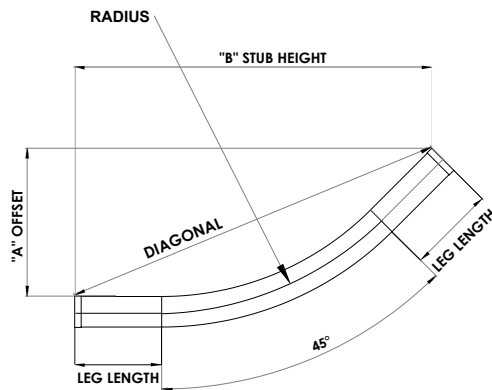
| Catalog Number    | Description                            | App Weight (lbs) | Standard Carton |
|-------------------|--|------------------|-----------------|
| GALELB3/4X90X12   | 3/4X90X12 LG RADIUS GALVANIZED ELBOW   | 4                | BLK             |
| GALELB1X90X12     | 1X90X12 LG RADIUS GALVANIZED ELBOW     | 4                | BLK             |
| GALELB1-1/4X90X12 | 1-1/4X90X12 LG RADIUS GALVANIZED ELBOW | 4                | BLK             |
| GALELB1-1/2X90X12 | 1-1/2X90X12 LG RADIUS GALVANIZED ELBOW | 7                | BLK             |
| GALELB2X90X12     | 2X90X12 LG RADIUS GALVANIZED ELBOW     | 9                | BLK             |
| GALELB1-1/4X90X15 | 1-1/4X90X15 LG RADIUS GALVANIZED ELBOW | 7                | BLK             |
| GALELB1-1/2X90X15 | 1-1/2X90X15 LG RADIUS GALVANIZED ELBOW | 8                | BLK             |
| GALELB2X90X15     | 2X90X15 LG RADIUS GALVANIZED ELBOW     | 11               | BLK             |
| GALELB1X90X18     | 1X90X18 LG RADIUS GALVANIZED ELBOW     | 6                | BLK             |
| GALELB1-1/4X90X18 | 1-1/4X90X18 LG RADIUS GALVANIZED ELBOW | 8                | BLK             |
| GALELB1-1/2X90X18 | 1-1/2X90X18 LG RADIUS GALVANIZED ELBOW | 10               | BLK             |
| GALELB2X90X18     | 2X90X18 LG RADIUS GALVANIZED ELBOW     | 13               | BLK             |
| GALELB2-1/2X90X18 | 2-1/2X90X18LG RADIUS GALVANIZED ELBOW  | 21               | BLK             |
| GALELB3X90X18     | 3X90X18 LG RADIUS GALVANIZED ELBOW     | 25               | BLK             |
| GALELB3-1/2X90X18 | 3-1/2X90X18 LG RADIUS GALVANIZED ELBOW | 34               | BLK             |
| GALELB4X90X18     | 4X90X18 LG RADIUS GALVANIZED ELBOW     | 38               | BLK             |
| GALELB1X90X24     | 1X90X24 LG RADIUS GALVANIZED ELBOW     | 8                | BLK             |
| GALELB1-1/4X90X24 | 1-1/4X90X24 LG RADIUS GALVANIZED ELBOW | 11               | BLK             |
| GALELB1-1/2X90X24 | 1 X90X24 LG RADIUS GALVANIZED ELBOW    | 13               | BLK             |
| GALELB2X90X24     | 2X90X24 LG RADIUS GALVANIZED ELBOW     | 17               | BLK             |
| GALELB2-1/2X90X24 | 2-1/2X90X24 LG RADIUS GALVANIZED ELBOW | 27               | BLK             |
| GALELB3X90X24     | 3X90X24 LG RADIUS GALVANIZED ELBOW     | 35               | BLK             |
| GALELB4X90X24     | 4X90X24 LG RADIUS GALVANIZED ELBOW     | 45               | BLK             |
| GALELB1X90X30     | 1X90X30 LG RADIUS GALVANIZED ELBOW     | 9                | BLK             |
| GALELB1-1/4X90X30 | 1-1/4X90X30 LG RADIUS GALVANIZED ELBOW | 13               | BLK             |
| GALELB1-1/2X90X30 | 1-1/2X90X30 LG RADIUS GALVANIZED ELBOW | 15               | BLK             |
| GALELB2X90X30     | 2X90X30 LG RADIUS GALVANIZED ELBOW     | 20               | BLK             |
| GALELB2-1/2X90X30 | 2-1/2X90X30 LG RADIUS GALVANIZED ELBOW | 32               | BLK             |
| GALELB3X90X30     | 3X90X30 LG RADIUS GALVANIZED ELBOW     | 42               | BLK             |
| GALELB4X90X30     | 4X90X30 LG RADIUS GALVANIZED ELBOW     | 55               | BLK             |
| GALELB5X90X30     | 5X90X30 LG RADIUS GALVANIZED ELBOW     | 77               | BLK             |
| GALELB1X90X36     | 1X90X36 LG RADIUS GALVANIZED ELBOW     | 11               | BLK             |
| GALELB1-1/4X90X36 | 1-1/4X90X36 LG RADIUS GALVANIZED ELBOW | 15               | BLK             |
| GALELB1-1/2X90X36 | 1-1/2X90X36 LG RADIUS GALVANIZED ELBOW | 18               | BLK             |
| GALELB2X90X36     | 2X90X36 LG RADIUS GALVANIZED ELBOW     | 24               | BLK             |
| GALELB2-1/2X90X36 | 2-1/2X90X36 LG RADIUS GALVANIZED ELBOW | 38               | BLK             |
| GALELB3X90X36     | 3X90X36 LG RADIUS GALVANIZED ELBOW     | 49               | BLK             |
| GALELB3-1/2X90X36 | 3-1/2X90X36 LG RADIUS GALVANIZED ELBOW | 58               | BLK             |
| GALELB4X90X36     | 4X90X36 LG RADIUS GALVANIZED ELBOW     | 65               | BLK             |
| GALELB5X90X36     | 5X90X36 LG RADIUS GALVANIZED ELBOW     | 91               | BLK             |
| GALELB6X90X36     | 6X90X36 LG RADIUS GALVANIZED ELBOW     | 123              | BLK             |

**Galvanized Special Radius Elbows (Factory Mandrel Tested)**

| Catalog Number    | Description                            | App Weight (lbs) | Standard Carton |
|-------------------|--|------------------|-----------------|
| GALELB4X90X42     | 4X90X42 LG RADIUS GALVANIZED ELBOW     | 70               | BLK             |
| GALELB5X90X42     | 5X90X42 LG RADIUS GALVANIZED ELBOW     | 98               | BLK             |
| GALELB1X90X48     | 1X90X48 LG RADIUS GALVANIZED ELBOW     | 14               | BLK             |
| GALELB1-1/4X90X48 | 1-1/4X90X48 LG RADIUS GALVANIZED ELBOW | 18               | BLK             |
| GALELB1-1/2X90X48 | 1-1/2X90X48 LG RADIUS GALVANIZED ELBOW | 22               | BLK             |
| GALELB2X90X48     | 2X90X48 LG RADIUS GALVANIZED ELBOW     | 29               | BLK             |
| GALELB2-1/2X90X48 | 2-1/2X90X48 LG RADIUS GALVANIZED ELBOW | 46               | BLK             |
| GALELB3X90X48     | 3X90X48 LG RADIUS GALVANIZED ELBOW     | 61               | BLK             |
| GALELB3-1/2X90X48 | 3-1/2X90X48 LG RADIUS GALVANIZED ELBOW | 72               | BLK             |
| GALELB4X90X48     | 4X90X48 LG RADIUS GALVANIZED ELBOW     | 80               | BLK             |
| GALELB5X90X48     | 5X90X48 LG RADIUS GALVANIZED ELBOW     | 112              | BLK             |
| GALELB6X90X48     | 6X90X48 LG RADIUS GALVANIZED ELBOW     | 152              | BLK             |
| GALELB4X90X60     | 4X90X60 LG RADIUS GALVANIZED ELBOW     | 96               | BLK             |
| GALELB5X90X60     | 5X90X60 LG RADIUS GALVANIZED ELBOW     | 132              | BLK             |
| GALELB6X90X60     | 6X90X60 LG RADIUS GALVANIZED ELBOW     | 175              | BLK             |

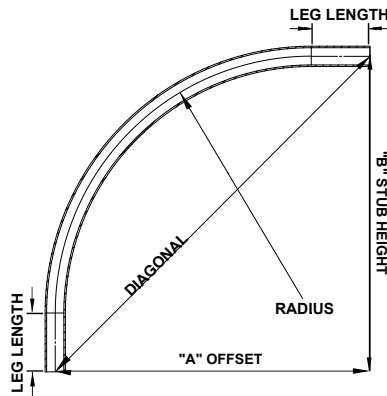
Weights shown are approximate for 90° elbows. To arrive at weights for 60° elbows deduct 10%, for 45° elbows deduct 15% and 30° elbows deduct 20%. Galvanized special radius elbows are available in 45°, 60° and 30°. **All special radius elbows are noncancelable and nonreturnable.**





### Galvanized Special Radius Elbows • 45 Degrees

| Size | Radius          | 12       | 15       | 18       | 24       | 30      | 36       | 42       | 48       | 60       |
|------|-----------------|----------|----------|----------|----------|---------|----------|----------|----------|----------|
| 1    | LEG LENGTH      | 9        | 9        | 10       | 11       | 11      | 11       | 12       | 11-15/16 |          |
|      | UNBENT LENGTH   | 27-7/16  | 29-3/4   | 34-1/8   | 40-7/8   | 45-9/16 | 50-1/4   | 56-15/16 | 61-5/8   |          |
|      | DIAGONAL        | 25-13/16 | 28-1/16  | 32-1/4   | 38-3/4   | 43-5/16 | 47-7/8   | 54-1/4   | 58-7/8   |          |
|      | "A" OFFSET      | 9-7/8    | 10-3/4   | 12-5/16  | 14-13/16 | 16-9/16 | 18-5/16  | 20-3/4   | 22-1/2   |          |
|      | "B" STUB HEIGHT | 23-7/8   | 25-15/16 | 29-13/16 | 35-3/4   | 40      | 44-3/16  | 50-1/8   | 54-3/8   |          |
| 1¼   | LEG LENGTH      | 9        | 9        | 10       | 11       | 11      | 11       | 12       | 11-15/16 |          |
|      | UNBENT LENGTH   | 27-7/16  | 29-3/4   | 34-1/8   | 40-7/8   | 45-9/16 | 50-1/4   | 56-15/16 | 61-5/8   |          |
|      | DIAGONAL        | 25-13/16 | 28-1/16  | 32-1/4   | 38-3/4   | 43-5/16 | 47-7/8   | 54-1/4   | 58-7/8   |          |
|      | "A" OFFSET      | 9-7/8    | 10-3/4   | 12-5/16  | 14-13/16 | 16-9/16 | 18-5/16  | 20-3/4   | 22-1/2   |          |
|      | "B" STUB HEIGHT | 23-7/8   | 25-15/16 | 29-13/16 | 35-3/4   | 40      | 44-3/16  | 50-1/8   | 54-3/8   |          |
| 1½   | LEG LENGTH      | 9        | 9        | 10       | 11       | 11      | 11       | 12       | 11-15/16 |          |
|      | UNBENT LENGTH   | 27-7/16  | 29-3/4   | 34-1/8   | 40-7/8   | 45-9/16 | 50-1/4   | 56-15/16 | 61-5/8   |          |
|      | DIAGONAL        | 25-13/16 | 28-1/16  | 32-1/4   | 38-3/4   | 43-5/16 | 47-7/8   | 54-1/4   | 58-7/8   |          |
|      | "A" OFFSET      | 9-7/8    | 10-3/4   | 12-5/16  | 14-13/16 | 16-9/16 | 18-5/16  | 20-3/4   | 22-1/2   |          |
|      | "B" STUB HEIGHT | 23-7/8   | 25-15/16 | 29-13/16 | 35-3/4   | 40      | 44-3/16  | 50-1/8   | 54-3/8   |          |
| 2    | LEG LENGTH      | 9        | 9        | 10       | 11       | 11      | 11       | 12       | 11-15/16 |          |
|      | UNBENT LENGTH   | 27-7/16  | 29-3/4   | 34-1/8   | 40-7/8   | 45-9/16 | 50-1/4   | 56-15/16 | 61-5/8   |          |
|      | DIAGONAL        | 25-13/16 | 28-1/16  | 32-1/4   | 38-3/4   | 43-5/16 | 47-7/8   | 54-1/4   | 58-7/8   |          |
|      | "A" OFFSET      | 9-7/8    | 10-3/4   | 12-5/16  | 14-13/16 | 16-9/16 | 18-5/16  | 20-3/4   | 22-1/2   |          |
|      | "B" STUB HEIGHT | 23-7/8   | 25-15/16 | 29-13/16 | 35-3/4   | 40      | 44-3/16  | 50-1/8   | 54-3/8   |          |
| 2½   | LEG LENGTH      | 9        | 9        | 10       | 11       | 11      | 11       | 12       | 11-15/16 |          |
|      | UNBENT LENGTH   | 27-7/16  | 29-3/4   | 34-1/8   | 40-7/8   | 45-9/16 | 50-1/4   | 56-15/16 | 61-5/8   |          |
|      | DIAGONAL        | 25-13/16 | 28-1/16  | 32-1/4   | 38-3/4   | 43-5/16 | 47-7/8   | 54-1/4   | 58-7/8   |          |
|      | "A" OFFSET      | 9-7/8    | 10-3/4   | 12-5/16  | 14-13/16 | 16-9/16 | 18-5/16  | 20-3/4   | 22-1/2   |          |
|      | "B" STUB HEIGHT | 23-7/8   | 25-15/16 | 29-13/16 | 35-3/4   | 40      | 44-3/16  | 50-1/8   | 54-3/8   |          |
| 3    | LEG LENGTH      |          | 9        | 10       | 11       | 11      | 11       | 12       | 11-15/16 |          |
|      | UNBENT LENGTH   |          | 29-3/4   | 34-1/8   | 40-7/8   | 45-9/16 | 50-1/4   | 56-15/16 | 61-5/8   |          |
|      | DIAGONAL        |          | 28-1/16  | 32-1/4   | 38-3/4   | 43-5/16 | 47-7/8   | 54-1/4   | 58-7/8   |          |
|      | "A" OFFSET      |          | 10-3/4   | 12-5/16  | 14-13/16 | 16-9/16 | 18-5/16  | 20-3/4   | 22-1/2   |          |
|      | "B" STUB HEIGHT |          | 25-15/16 | 29-13/16 | 35-3/4   | 40      | 44-3/16  | 50-1/8   | 54-3/8   |          |
| 3½   | LEG LENGTH      |          |          | 10       | 11       | 11      | 11       | 12       | 11-15/16 |          |
|      | UNBENT LENGTH   |          |          | 34-1/8   | 40-7/8   | 45-9/16 | 50-1/4   | 56-15/16 | 61-5/8   |          |
|      | DIAGONAL        |          |          | 32-1/4   | 38-3/4   | 43-5/16 | 47-7/8   | 54-1/4   | 58-7/8   |          |
|      | "A" OFFSET      |          |          | 12-5/16  | 14-13/16 | 16-9/16 | 18-5/16  | 20-3/4   | 22-1/2   |          |
|      | "B" STUB HEIGHT |          |          | 29-13/16 | 35-3/4   | 40      | 44-3/16  | 50-1/8   | 54-3/8   |          |
| 4    | LEG LENGTH      |          |          | 10       | 11       | 11      | 11       | 12       | 11-15/16 |          |
|      | UNBENT LENGTH   |          |          | 34-1/8   | 40-7/8   | 45-9/16 | 50-1/4   | 56-15/16 | 61-5/8   |          |
|      | DIAGONAL        |          |          | 32-1/4   | 38-3/4   | 43-5/16 | 47-7/8   | 54-1/4   | 58-7/8   |          |
|      | "A" OFFSET      |          |          | 12-5/16  | 14-13/16 | 16-9/16 | 18-5/16  | 20-3/4   | 22-1/2   |          |
|      | "B" STUB HEIGHT |          |          | 29-13/16 | 35-3/4   | 40      | 44-3/16  | 50-1/8   | 54-3/8   |          |
| 5    | LEG LENGTH      |          |          |          | 11       | 11      | 11       | 12       | 11-15/16 | 12       |
|      | UNBENT LENGTH   |          |          |          | 45-9/16  | 50-1/4  | 56-15/16 | 61-5/8   | 61-5/8   | 71-1/8   |
|      | DIAGONAL        |          |          |          | 43-5/16  | 47-7/8  | 54-1/4   | 58-7/8   | 58-7/8   | 68-1/8   |
|      | "A" OFFSET      |          |          |          | 16-9/16  | 18-5/16 | 20-3/4   | 22-1/2   | 22-1/2   | 26-1/16  |
|      | "B" STUB HEIGHT |          |          |          | 40       | 44-3/16 | 50-1/8   | 54-3/8   | 54-3/8   | 62-15/16 |
| 6    | LEG LENGTH      |          |          |          |          | 11      | 11       | 12       | 11-15/16 | 12       |
|      | UNBENT LENGTH   |          |          |          |          | 50-1/4  | 56-15/16 | 61-5/8   | 61-5/8   | 71-1/8   |
|      | DIAGONAL        |          |          |          |          | 47-7/8  | 54-1/4   | 58-7/8   | 58-7/8   | 68-1/8   |
|      | "A" OFFSET      |          |          |          |          | 18-5/16 | 20-3/4   | 22-1/2   | 22-1/2   | 26-1/16  |
|      | "B" STUB HEIGHT |          |          |          |          | 44-3/16 | 50-1/8   | 54-3/8   | 54-3/8   | 62-15/16 |



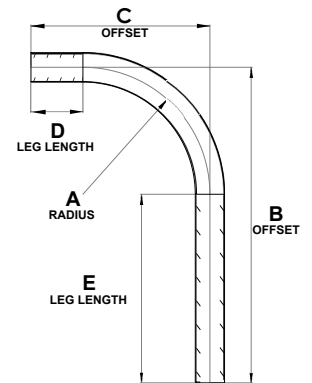
### Galvanized Special Radius Elbows • 90 Degrees

| Size  | Radius          | 12      | 15     | 18      | 24     | 30       | 36      | 42     | 48       | 60      |
|-------|-----------------|---------|--------|---------|--------|----------|---------|--------|----------|---------|
| 1     | LEG LENGTH      | 8-9/16  | 9-1/4  | 9-7/8   | 10-5/8 | 10-15/16 | 10-3/4  | 12     | 13-5/16  |         |
|       | UNBENT LENGTH   | 36      | 42     | 48      | 59     | 69       | 78      | 90     | 102      |         |
|       | DIAGONAL        | 29-1/8  | 34-1/4 | 39-7/16 | 49     | 57-7/8   | 66-1/16 | 76-3/8 | 86-11/16 |         |
|       | "A" OFFSET      | 20-9/16 | 24-1/4 | 27-7/8  | 34-5/8 | 40-15/16 | 46-3/4  | 54     | 61-5/16  |         |
|       | "B" STUB HEIGHT | 20-9/16 | 24-1/4 | 27-7/8  | 34-5/8 | 40-15/16 | 46-3/4  | 54     | 61-5/16  |         |
| 1-1/4 | LEG LENGTH      | 8-9/16  | 9-1/4  | 9-7/8   | 10-5/8 | 10-15/16 | 10-3/4  | 12     | 13-5/16  |         |
|       | UNBENT LENGTH   | 36      | 42     | 48      | 59     | 69       | 78      | 90     | 102      |         |
|       | DIAGONAL        | 29-1/8  | 34-1/4 | 39-7/16 | 49     | 57-7/8   | 66-1/16 | 76-3/8 | 86-11/16 |         |
|       | "A" OFFSET      | 20-9/16 | 24-1/4 | 27-7/8  | 34-5/8 | 40-15/16 | 46-3/4  | 54     | 61-5/16  |         |
|       | "B" STUB HEIGHT | 20-9/16 | 24-1/4 | 27-7/8  | 34-5/8 | 40-15/16 | 46-3/4  | 54     | 61-5/16  |         |
| 1-1/2 | LEG LENGTH      | 8-9/16  | 9-1/4  | 9-7/8   | 10-5/8 | 10-15/16 | 10-3/4  | 12     | 13-5/16  |         |
|       | UNBENT LENGTH   | 36      | 42     | 48      | 59     | 69       | 78      | 90     | 102      |         |
|       | DIAGONAL        | 29-1/8  | 34-1/4 | 39-7/16 | 49     | 57-7/8   | 66-1/16 | 76-3/8 | 86-11/16 |         |
|       | "A" OFFSET      | 20-9/16 | 24-1/4 | 27-7/8  | 34-5/8 | 40-15/16 | 46-3/4  | 54     | 61-5/16  |         |
|       | "B" STUB HEIGHT | 20-9/16 | 24-1/4 | 27-7/8  | 34-5/8 | 40-15/16 | 46-3/4  | 54     | 61-5/16  |         |
| 2     | LEG LENGTH      | 8-9/16  | 9-1/4  | 9-7/8   | 10-5/8 | 10-15/16 | 10-3/4  | 12     | 13-5/16  |         |
|       | UNBENT LENGTH   | 36      | 42     | 48      | 59     | 69       | 78      | 90     | 102      |         |
|       | DIAGONAL        | 29-1/8  | 34-1/4 | 39-7/16 | 49     | 57-7/8   | 66-1/16 | 76-3/8 | 86-11/16 |         |
|       | "A" OFFSET      | 20-9/16 | 24-1/4 | 27-7/8  | 34-5/8 | 40-15/16 | 46-3/4  | 54     | 61-5/16  |         |
|       | "B" STUB HEIGHT | 20-9/16 | 24-1/4 | 27-7/8  | 34-5/8 | 40-15/16 | 46-3/4  | 54     | 61-5/16  |         |
| 2-1/2 | LEG LENGTH      | 8-9/16  | 9-1/4  | 9-7/8   | 10-5/8 | 10-15/16 | 10-3/4  | 12     | 13-5/16  |         |
|       | UNBENT LENGTH   | 36      | 42     | 48      | 59     | 69       | 78      | 90     | 102      |         |
|       | DIAGONAL        | 29-1/8  | 34-1/4 | 39-7/16 | 49     | 57-7/8   | 66-1/16 | 76-3/8 | 86-11/16 |         |
|       | "A" OFFSET      | 20-9/16 | 24-1/4 | 27-7/8  | 34-5/8 | 40-15/16 | 46-3/4  | 54     | 61-5/16  |         |
|       | "B" STUB HEIGHT | 20-9/16 | 24-1/4 | 27-7/8  | 34-5/8 | 40-15/16 | 46-3/4  | 54     | 61-5/16  |         |
| 3     | LEG LENGTH      |         | 9-1/4  | 9-7/8   | 10-5/8 | 10-15/16 | 10-3/4  | 12     | 13-5/16  |         |
|       | UNBENT LENGTH   |         | 42     | 48      | 59     | 69       | 78      | 90     | 102      |         |
|       | DIAGONAL        |         | 34-1/4 | 39-7/16 | 49     | 57-7/8   | 66-1/16 | 76-3/8 | 86-11/16 |         |
|       | "A" OFFSET      |         | 24-1/4 | 27-7/8  | 34-5/8 | 40-15/16 | 46-3/4  | 54     | 61-5/16  |         |
|       | "B" STUB HEIGHT |         | 24-1/4 | 27-7/8  | 34-5/8 | 40-15/16 | 46-3/4  | 54     | 61-5/16  |         |
| 3-1/2 | LEG LENGTH      |         |        | 9-7/8   | 10-5/8 | 10-15/16 | 10-3/4  | 12     | 13-5/16  |         |
|       | UNBENT LENGTH   |         |        | 48      | 59     | 69       | 78      | 90     | 102      |         |
|       | DIAGONAL        |         |        | 39-7/16 | 49     | 57-7/8   | 66-1/16 | 76-3/8 | 86-11/16 |         |
|       | "A" OFFSET      |         |        | 27-7/8  | 34-5/8 | 40-15/16 | 46-3/4  | 54     | 61-5/16  |         |
|       | "B" STUB HEIGHT |         |        | 27-7/8  | 34-5/8 | 40-15/16 | 46-3/4  | 54     | 61-5/16  |         |
| 4     | LEG LENGTH      |         |        | 9-7/8   | 10-5/8 | 10-15/16 | 10-3/4  | 12     | 13-5/16  |         |
|       | UNBENT LENGTH   |         |        | 48      | 59     | 69       | 78      | 90     | 102      |         |
|       | DIAGONAL        |         |        | 39-7/16 | 49     | 57-7/8   | 66-1/16 | 76-3/8 | 86-11/16 |         |
|       | "A" OFFSET      |         |        | 27-7/8  | 34-5/8 | 40-15/16 | 46-3/4  | 54     | 61-5/16  |         |
|       | "B" STUB HEIGHT |         |        | 27-7/8  | 34-5/8 | 40-15/16 | 46-3/4  | 54     | 61-5/16  |         |
| 5     | LEG LENGTH      |         |        |         |        | 10-15/16 | 10-3/4  | 12     | 13-5/16  | 11-7/8  |
|       | UNBENT LENGTH   |         |        |         |        | 69       | 78      | 90     | 102      | 118     |
|       | DIAGONAL        |         |        |         |        | 57-7/8   | 66-1/16 | 76-3/8 | 86-11/16 | 101-1/2 |
|       | "A" OFFSET      |         |        |         |        | 40-15/16 | 46-3/4  | 54     | 61-5/16  | 71-7/8  |
|       | "B" STUB HEIGHT |         |        |         |        | 40-15/16 | 46-3/4  | 54     | 61-5/16  | 71-7/8  |
| 6     | LEG LENGTH      |         |        |         |        |          | 10-3/4  | 12     | 13-5/16  | 11-7/8  |
|       | UNBENT LENGTH   |         |        |         |        |          | 78      | 90     | 102      | 118     |
|       | DIAGONAL        |         |        |         |        |          | 66-1/16 | 76-3/8 | 86-11/16 | 101-1/2 |
|       | "A" OFFSET      |         |        |         |        |          | 46-3/4  | 54     | 61-5/16  | 71-7/8  |
|       | "B" STUB HEIGHT |         |        |         |        |          | 46-3/4  | 54     | 61-5/16  | 71-7/8  |

### Galvanized Yard Light Elbows

| Catalog Number     | Description                                 | Weight Per 100 Pieces (lbs) | Standard Carton |
|--------------------|---|-----------------------------|-----------------|
| GALELB-YD-1/2X90   | 1/2" HOT DIP GALVANIZED YARD LIGHT ELBOWS   | 145                         | 25              |
| GALELB-YD-3/4X90   | 3/4" HOT DIP GALVANIZED YARD LIGHT ELBOWS   | 197                         | 25              |
| GALELB-YD-1X90     | 1" HOT DIP GALVANIZED YARD LIGHT ELBOWS     | 316                         | 25              |
| GALELB-YD-1-1/4X90 | 1-1/4" HOT DIP GALVANIZED YARD LIGHT ELBOWS | 495                         | 10              |
| GALELB-YD-1-1/2X90 | 1-1/2" HOT DIP GALVANIZED YARD LIGHT ELBOWS | 615                         | BLK             |
| GALELB-YD-2X90     | 2" HOT DIP GALVANIZED YARD LIGHT ELBOWS     | 975                         | BLK             |
| GALELB-YD-2-1/2X90 | 2-1/2" HOT DIP GALVANIZED YARD LIGHT ELBOWS | 1590                        | BLK             |
| GALELB-YD-3X90     | 3" HOT DIP GALVANIZED YARD LIGHT ELBOWS     | 2380                        | BLK             |
| GALELB-YD-3-1/2X90 | 3-1/2" HOT DIP GALVANIZED YARD LIGHT ELBOWS | 3250                        | BLK             |
| GALELB-YD-4X90     | 4" HOT DIP GALVANIZED YARD LIGHT ELBOWS     | 4030                        | BLK             |

| Nominal Size | A       | B       | C       | D       | E       |
|--------------|---------|---------|---------|---------|---------|
| 1/2"         | 4"      | 18"     | 6-3/16" | 2-3/16" | 14"     |
| 3/4"         | 4-1/2"  | 18"     | 6-3/4"  | 2-1/4"  | 13-1/2" |
| 1"           | 5-3/4"  | 18"     | 8-5/8"  | 2-7/8"  | 12-1/4" |
| 1-1/4"       | 7-1/4"  | 19-1/4" | 10-1/4" | 3-1/4"  | 12-1/4" |
| 1-1/2"       | 8-1/4"  | 20-1/2" | 11-5/8" | 3-3/8"  | 12-1/4" |
| 2"           | 9-1/2"  | 21-1/2" | 14-1/2" | 5"      | 12"     |
| 2-1/2"       | 10-1/2" | 22-1/2" | 16"     | 5-1/2"  | 12"     |
| 3"           | 13"     | 25"     | 19-1/4" | 6-1/4"  | 12"     |
| 3-1/2"       | 15"     | 27"     | 22-3/4" | 7-3/4"  | 12"     |
| 4"           | 16"     | 28"     | 24"     | 8"      | 12"     |



### Meter Risers

| Catalog Number   | Description   |
|------------------|---|
| GALRISERST-TBE-2 | 2"X7' GALVANIZED RIGID, THREADED BOTH ENDS            |
| GALRISERST-TOE-2 | 2"X7' GALVANIZED RIGID, THREADED ONE END              |
| GALRISER45-TBE-2 | 2"X7' 45 DEGREE, GALVANIZED RIGID, THREADED BOTH ENDS |
| GALRISER45-TOE-2 | 2"X7' 45 DEGREE, GALVANIZED RIGID, THREADED ONE END   |
| GALRISERMI-2     | 2"X7' OFFSET, GALVANIZED RIGID, THREADED BOTH ENDS    |

Yard light elbows and Meter risers are noncancelable and nonreturnable.

### Galvanized Conduit Nipples

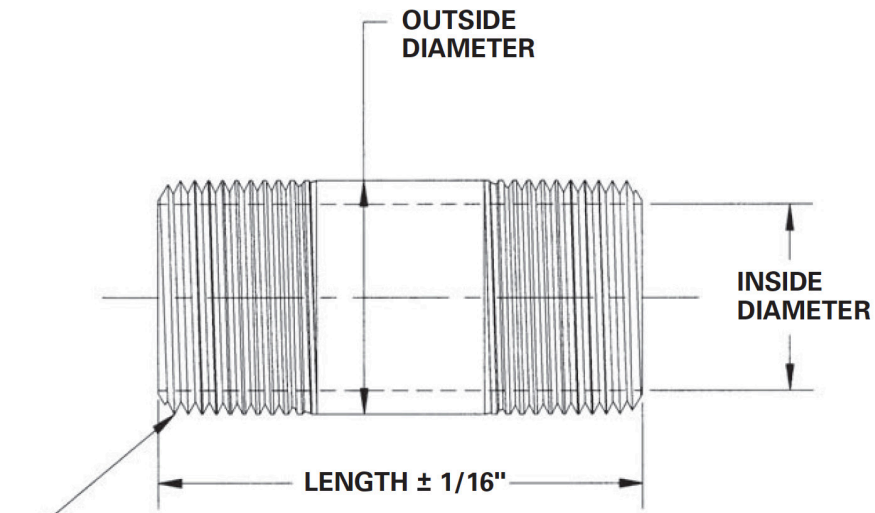
| Catalog Number    | Description                         | Weight Per 100 Pieces (lbs) | Standard Carton |
|-------------------|-------------------------------------|-----------------------------|-----------------|
| GALNIP1/2XCL      | 1/2X1-1/8 CLOSE GALVANIZED NIPPLE   | 6                           | 25              |
| GALNIP3/4XCL      | 3/4X1-3/8 CLOSE GALVANIZED NIPPLE   | 9                           | 25              |
| GALNIP1XCL        | 1X1-1/2 CLOSE GALVANIZED NIPPLE     | 16                          | 25              |
| GALNIP1-1/4XCL    | 1-1/4X1-5/8 CLOSE GALVANIZED NIPPLE | 22                          | 25              |
| GALNIP1-1/2XCL    | 1-1/2X1-3/4 CLOSE GALVANIZED NIPPLE | 28                          | 25              |
| GALNIP2XCL        | 2X2 CLOSE GALVANIZED NIPPLE         | 44                          | 25              |
| GALNIP2-1/2XCL    | 2-1/2X2-1/2 CLOSE GALVANIZED NIPPLE | 84                          | 10              |
| GALNIP3XCL        | 3X2-5/8 CLOSE GALVANIZED NIPPLE     | 118                         | 10              |
| GALNIP3-1/2XCL    | 3-1/2X2-3/4 CLOSE GALVANIZED NIPPLE | 160                         | 10              |
| GALNIP4XCL        | 4X2-7/8 CLOSE GALVANIZED NIPPLE     | 180                         | 10              |
| GALNIP5XCL        | 5X3 CLOSE GALVANIZED NIPPLE         | 240                         | BLK             |
| GALNIP6XCL        | 6X3-1/8 CLOSE GALVANIZED NIPPLE     | 350                         | BLK             |
| GALNIP1/2X1-1/2   | 1/2X1-1/2 GALVANIZED NIPPLE         | 8                           | 25              |
| GALNIP3/4X1-1/2   | 3/4X1-1/2 GALVANIZED NIPPLE         | 10                          | 25              |
| GALNIP1/2X2       | 1/2X2 GALVANIZED NIPPLE             | 12                          | 25              |
| GALNIP3/4X2       | 3/4X2 GALVANIZED NIPPLE             | 14                          | 25              |
| GALNIP1X2         | 1X2 GALVANIZED NIPPLE               | 22                          | 25              |
| GALNIP1-1/4X2     | 1-1/4X2 GALVANIZED NIPPLE           | 28                          | 25              |
| GALNIP1-1/2X2     | 1-1/2X2 GALVANIZED NIPPLE           | 34                          | 25              |
| GALNIP1/2X2-1/2   | 1/2X2-1/2 GALVANIZED NIPPLE         | 15                          | 25              |
| GALNIP3/4X2-1/2   | 3/4X2-1/2 GALVANIZED NIPPLE         | 19                          | 25              |
| GALNIP1X2-1/2     | 1X2-1/2 GALVANIZED NIPPLE           | 28                          | 25              |
| GALNIP1-1/4X2-1/2 | 1-1/4X2-1/2 GALVANIZED NIPPLE       | 37                          | 25              |
| GALNIP1-1/2X2-1/2 | 1-1/2X2-1/2 GALVANIZED NIPPLE       | 44                          | 25              |
| GALNIP2X2-1/2     | 2X2-1/2 GALVANIZED NIPPLE           | 59                          | 25              |
| GALNIP1/2X3       | 1/2X3 GALVANIZED NIPPLE             | 19                          | 25              |
| GALNIP3/4X3       | 3/4X3 GALVANIZED NIPPLE             | 24                          | 25              |
| GALNIP1X3         | 1X3 GALVANIZED NIPPLE               | 36                          | 25              |
| GALNIP1-1/4X3     | 1-1/4X3 GALVANIZED NIPPLE           | 47                          | 25              |
| GALNIP1-1/2X3     | 1-1/2X3 GALVANIZED NIPPLE           | 56                          | 25              |
| GALNIP2X3         | 2X3 GALVANIZED NIPPLE               | 72                          | 25              |
| GALNIP2-1/2X3     | 2-1/2X3 GALVANIZED NIPPLE           | 100                         | 10              |
| GALNIP3X3         | 3X3 GALVANIZED NIPPLE               | 130                         | 10              |
| GALNIP1/2X3-1/2   | 1/2X3 /12 GALVANIZED NIPPLE         | 22                          | 25              |
| GALNIP3/4X3-1/2   | 3/4X3-1/2 GALVANIZED NIPPLE         | 28                          | 25              |
| GALNIP1X3-1/2     | 1X3-1/2 GALVANIZED NIPPLE           | 43                          | 25              |
| GALNIP1-1/4X3-1/2 | 1-1/4X3-1/2 GALVANIZED NIPPLE       | 55                          | 25              |
| GALNIP1-1/2X3-1/2 | 1-1/2X3-1/2 GALVANIZED NIPPLE       | 68                          | 25              |
| GALNIP2X3-1/2     | 2X3-1/2 GALVANIZED NIPPLE           | 88                          | 25              |
| GALNIP2-1/2X3-1/2 | 2-1/2X3-1/2 GALVANIZED NIPPLE       | 120                         | 10              |
| GALNIP3X3-1/2     | 3X3-1/2 GALVANIZED NIPPLE           | 157                         | 10              |

**Galvanized Conduit Nipples**

| Catalog Number | Description               | Weight Per 100 Pieces (lbs) | Standard Carton |
|----------------|---------------------------|-----------------------------|-----------------|
| GALNIP1/2X4    | 1/2X4 GALVANIZED NIPPLE   | 26                          | 25              |
| GALNIP3/4X4    | 3/4X4 GALVANIZED NIPPLE   | 34                          | 25              |
| GALNIP1X4      | 1X4 GALVANIZED NIPPLE     | 49                          | 25              |
| GALNIP1-1/4X4  | 1-1/4X4 GALVANIZED NIPPLE | 66                          | 25              |
| GALNIP1-1/2X4  | 1-1/2X4 GALVANIZED NIPPLE | 80                          | 25              |
| GALNIP2X4      | 2X4 GALVANIZED NIPPLE     | 103                         | 25              |
| GALNIP2-1/2X4  | 2-1/2X4 GALVANIZED NIPPLE | 150                         | 10              |
| GALNIP3X4      | 3X4 GALVANIZED NIPPLE     | 200                         | 10              |
| GALNIP3-1/2X4  | 3-1/2X4 GALVANIZED NIPPLE | 240                         | 5               |
| GALNIP4X4      | 4X4 GALVANIZED NIPPLE     | 285                         | 6               |
| GALNIP1/2X5    | 1/2X5 GALVANIZED NIPPLE   | 33                          | 25              |
| GALNIP3/4X5    | 3/4X5 GALVANIZED NIPPLE   | 43                          | 25              |
| GALNIP1X5      | 1X5 GALVANIZED NIPPLE     | 64                          | 25              |
| GALNIP1-1/4X5  | 1-1/4X5 GALVANIZED NIPPLE | 84                          | 25              |
| GALNIP1-1/2X5  | 1-1/2X5 GALVANIZED NIPPLE | 103                         | 25              |
| GALNIP2X5      | 2X5 GALVANIZED NIPPLE     | 132                         | 25              |
| GALNIP2-1/2X5  | 2-1/2X5 GALVANIZED NIPPLE | 197                         | 10              |
| GALNIP3X5      | 3X5 GALVANIZED NIPPLE     | 260                         | 10              |
| GALNIP3-1/2X5  | 3-1/2X5 GALVANIZED NIPPLE | 320                         | 5               |
| GALNIP4X5      | 4X5 GALVANIZED NIPPLE     | 380                         | 6               |
| GALNIP5X5      | 5X5 GALVANIZED NIPPLE     | 480                         | BLK             |
| GALNIP6X5      | 6X5 GALVANIZED NIPPLE     | 660                         | BLK             |
| GALNIP1/2X6    | 1/2X6 GALVANIZED NIPPLE   | 40                          | 25              |
| GALNIP3/4X6    | 3/4X6 GALVANIZED NIPPLE   | 52                          | 25              |
| GALNIP1X6      | 1X6 GALVANIZED NIPPLE     | 78                          | 25              |
| GALNIP1-1/4X6  | 1-1/4X6 GALVANIZED NIPPLE | 100                         | 25              |
| GALNIP1-1/2X6  | 1-1/2X6 GALVANIZED NIPPLE | 122                         | 25              |
| GALNIP2X6      | 2X6 GALVANIZED NIPPLE     | 160                         | 25              |
| GALNIP2-1/2X6  | 2-1/2X6 GALVANIZED NIPPLE | 240                         | 10              |
| GALNIP3X6      | 3X6 GALVANIZED NIPPLE     | 300                         | 10              |
| GALNIP3-1/2X6  | 3-1/2X6 GALVANIZED NIPPLE | 373                         | 5               |
| GALNIP4X6      | 4X6 GALVANIZED NIPPLE     | 440                         | 5               |
| GALNIP5X6      | 5X6 GALVANIZED NIPPLE     | 600                         | BLK             |
| GALNIP6X6      | 6X6 GALVANIZED NIPPLE     | 820                         | BLK             |
| GALNIP1/2X8    | 1/2X8 GALVANIZED NIPPLE   | 54                          | 25              |
| GALNIP3/4X8    | 3/4X8 GALVANIZED NIPPLE   | 73                          | 25              |
| GALNIP1X8      | 1X8 GALVANIZED NIPPLE     | 109                         | 25              |
| GALNIP1-1/4X8  | 1-1/4X8 GALVANIZED NIPPLE | 136                         | 10              |
| GALNIP1-1/2X8  | 1-1/2X8 GALVANIZED NIPPLE | 170                         | 10              |
| GALNIP2X8      | 2X8 GALVANIZED NIPPLE     | 220                         | 10              |
| GALNIP2-1/2X8  | 2-1/2X8 GALVANIZED NIPPLE | 329                         | 5               |
| GALNIP3X8      | 3X8 GALVANIZED NIPPLE     | 411                         | 5               |
| GALNIP3-1/2X8  | 3-1/2X8 GALVANIZED NIPPLE | 510                         | 5               |
| GALNIP4X8      | 4X8 GALVANIZED NIPPLE     | 600                         | 3               |
| GALNIP5X8      | 5X8 GALVANIZED NIPPLE     | 825                         | BLK             |
| GALNIP6X8      | 6X8 GALVANIZED NIPPLE     | 1125                        | BLK             |

### Galvanized Conduit Nipples

| Catalog Number | Description                | Weight Per 100 Pieces (lbs) | Standard Carton |
|----------------|----------------------------|-----------------------------|-----------------|
| GALNIP1/2X10   | 1/2X10 GALVANIZED NIPPLE   | 68                          | 25              |
| GALNIP3/4X10   | 3/4X10 GALVANIZED NIPPLE   | 89                          | 25              |
| GALNIP1X10     | 1X10 GALVANIZED NIPPLE     | 138                         | 25              |
| GALNIP1-1/4X10 | 1-1/4X10 GALVANIZED NIPPLE | 176                         | 10              |
| GALNIP1-1/2X10 | 1-1/2X10 GALVANIZED NIPPLE | 216                         | 10              |
| GALNIP2X10     | 2X10 GALVANIZED NIPPLE     | 285                         | 10              |
| GALNIP2-1/2X10 | 2-1/2X10 GALVANIZED NIPPLE | 422                         | 5               |
| GALNIP3X10     | 3X10 GALVANIZED NIPPLE     | 528                         | 5               |
| GALNIP3-1/2X10 | 3-1/2X10 GALVANIZED NIPPLE | 655                         | 4               |
| GALNIP4X10     | 4X10 GALVANIZED NIPPLE     | 775                         | 4               |
| GALNIP5X10     | 5X10 GALVANIZED NIPPLE     | 1055                        | BLK             |
| GALNIP6X10     | 6X10 GALVANIZED NIPPLE     | 1440                        | BLK             |
| GALNIP1/2X12   | 1/2X12 GALVANIZED NIPPLE   | 82                          | 25              |
| GALNIP3/4X12   | 3/4X12 GALVANIZED NIPPLE   | 109                         | 25              |
| GALNIP1X12     | 1X12 GALVANIZED NIPPLE     | 166                         | 25              |
| GALNIP1-1/4X12 | 1-1/4X12 GALVANIZED NIPPLE | 216                         | 10              |
| GALNIP1-1/2X12 | 1-1/2X12 GALVANIZED NIPPLE | 260                         | 10              |
| GALNIP2X12     | 2X12 GALVANIZED NIPPLE     | 335                         | 10              |
| GALNIP2-1/2X12 | 2-1/2X12 GALVANIZED NIPPLE | 505                         | 5               |
| GALNIP3X12     | 3X12 GALVANIZED NIPPLE     | 630                         | 5               |
| GALNIP3-1/2X12 | 3-1/2X12 GALVANIZED NIPPLE | 785                         | 4               |
| GALNIP4X12     | 4X12 GALVANIZED NIPPLE     | 925                         | 4               |
| GALNIP5X12     | 5X12 GALVANIZED NIPPLE     | 1260                        | BLK             |
| GALNIP6X12     | 6X12 GALVANIZED NIPPLE     | 1720                        | BLK             |



**STANDARD NPT TAPERED PIPE THREADS AS PER ANSI/ASME B1.20.1 SPECIFICATION.**

**Material**  
Rigid Steel Conduit (UL6)  
Aluminum Conduit (UL6A)

**Applicable Specification**  
Underwriters Laboratories  
• UL 6 for Rigid  
• UL 6A for Aluminum

**Rigid Conduit Nipples • Type - Rigid Steel and Aluminum**

| Pipe Size (in.) | Pipe O.D. (in.) | Length Close (in.) | Pipe Nipple Lengths |       |       |       |       |       |       |       |       |    |    |    |    |    |    |    |
|-----------------|-----------------|--------------------|---------------------|-------|-------|-------|-------|-------|-------|-------|-------|----|----|----|----|----|----|----|
| 1/2             | 0.84            | 1-1/8              | 1-1/2               | 2     | 2-1/2 | 3     | 3-1/2 | 4     | 4-1/2 | 5     | 5-1/2 | 6  | 7  | 8  | 9  | 10 | 11 | 12 |
| 3/4             | 1.05            | 1-3/8              | 1-1/2               | 2     | 2-1/2 | 3     | 3-1/2 | 4     | 4-1/2 | 5     | 5-1/2 | 6  | 7  | 8  | 9  | 10 | 11 | 12 |
| 1               | 1.315           | 1-1/2              | 2                   | 2-1/2 | 3     | 3-1/2 | 4     | 4-1/2 | 5     | 5-1/2 | 6     | 7  | 8  | 9  | 10 | 11 | 12 |    |
| 1-1/4           | 1.66            | 1-5/8              | 2                   | 2-1/2 | 3     | 3-1/2 | 4     | 4-1/2 | 5     | 5-1/2 | 6     | 7  | 8  | 9  | 10 | 11 | 12 |    |
| 1-1/2           | 1.9             | 1-3/4              | 2                   | 2-1/2 | 3     | 3-1/2 | 4     | 4-1/2 | 5     | 5-1/2 | 6     | 7  | 8  | 9  | 10 | 11 | 12 |    |
| 2               | 2.375           | 2                  | 2-1/2               | 3     | 3-1/2 | 4     | 4-1/2 | 5     | 5-1/2 | 6     | 7     | 8  | 9  | 10 | 11 | 12 |    |    |
| 2-1/2           | 2.875           | 2-1/2              | 3                   | 3-1/2 | 4     | 4-1/2 | 5     | 5-1/2 | 6     | 7     | 8     | 9  | 10 | 11 | 12 |    |    |    |
| 3               | 3.5             | 2-5/8              | 3                   | 3-1/2 | 4     | 4-1/2 | 5     | 5-1/2 | 6     | 7     | 8     | 9  | 10 | 11 | 12 |    |    |    |
| 3-1/2           | 4               | 2-3/4              | 4                   | 4-1/2 | 5     | 5-1/2 | 6     | 7     | 8     | 9     | 10    | 11 | 12 |    |    |    |    |    |
| 4               | 4.5             | 2-7/8              | 4                   | 4-1/2 | 5     | 5-1/2 | 6     | 7     | 8     | 9     | 10    | 11 | 12 |    |    |    |    |    |
| 5               | 5.563           | 3                  | 4-1/2               | 5     | 5-1/2 | 6     | 7     | 8     | 9     | 10    | 11    | 12 |    |    |    |    |    |    |
| 6               | 6.625           | 3-1/8              | 4-1/2               | 5     | 5-1/2 | 6     | 7     | 8     | 9     | 10    | 11    | 12 |    |    |    |    |    |    |

### EMT Standard Radius Elbows

| Catalog Number | Description        | Weight Per 100 Pieces (lbs) | Standard Carton |
|----------------|--------------------|-----------------------------|-----------------|
| EMTELB1/2X90   | 1/2X90 EMT ELBOW   | 28                          | 50              |
| EMTELB3/4X90   | 3/4X90 EMT ELBOW   | 46                          | 50              |
| EMTELB1X90     | 1X 90 EMT ELBOW    | 86                          | 25              |
| EMTELB1-1/4X90 | 1-1/4X90 EMT ELBOW | 148                         | 25              |
| EMTELB1-1/2X90 | 1-1/2X90 EMT ELBOW | 198                         | 15              |
| EMTELB2X90     | 2X90 EMT ELBOW     | 286                         | 10              |
| EMTELB2-1/2X90 | 2-1/2X90 EMT ELBOW | 536                         | BLK             |
| EMTELB3X90     | 3X90 EMT ELBOW     | 720                         | BLK             |
| EMTELB3-1/2X90 | 3-1/2X90 EMT ELBOW | 1080                        | BLK             |
| EMTELB4X90     | 4X90 EMT ELBOW     | 1333                        | BLK             |
| EMTELB1/2X45   | 1/2X45 EMT ELBOW   | 24                          | 50              |
| EMTELB3/4X45   | 3/4X45 EMT ELBOW   | 39                          | 50              |
| EMTELB1X45     | 1X 45 EMT ELBOW    | 73                          | 25              |
| EMTELB1-1/4X45 | 1-1/4X45 EMT ELBOW | 126                         | 25              |
| EMTELB1-1/2X45 | 1-1/2X45 EMT ELBOW | 168                         | 15              |
| EMTELB2X45     | 2X45 EMT ELBOW     | 243                         | 10              |
| EMTELB2-1/2X45 | 2-1/2X45 EMT ELBOW | 456                         | BLK             |
| EMTELB3X45     | 3X45 EMT ELBOW     | 612                         | BLK             |
| EMTELB3-1/2X45 | 3-1/2X45 EMT ELBOW | 918                         | BLK             |
| EMTELB4X45     | 4X45 EMT ELBOW     | 1133                        | BLK             |

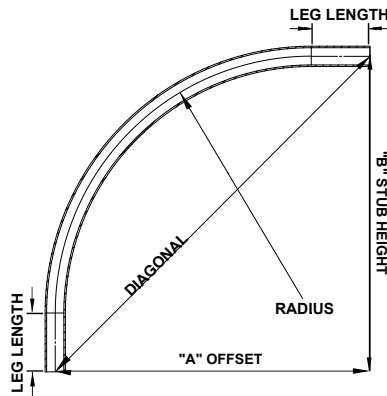
Weights shown are approximate for 90° elbows. To arrive at weights for 45° elbows deduct 15%. Sizes 2-1/2" and larger shipped in palletized cartons or bulk, with ECN-Korns identifying label.



### EMT Special Radius Elbows

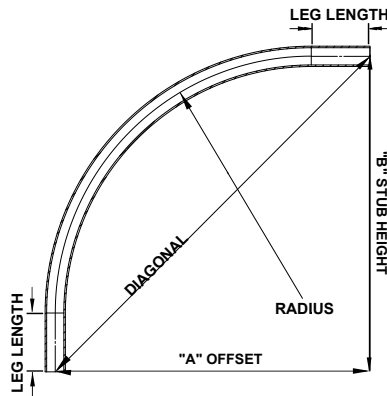
| Catalog Number | Description       | App Weight (lbs) | Standard Carton |
|----------------|-------------------|------------------|-----------------|
| EMTELB4X90X24  | 4X90X24 EMT ELBOW | 17               | BLK             |
| EMTELB4X45X24  | 4X45X24 EMT ELBOW | 14               | BLK             |
| EMTELB4X60X24  | 4X60X24 EMT ELBOW | 15               | BLK             |
| EMTELB4X30X24  | 4X30X24 EMT ELBOW | 14               | BLK             |
| EMTELB2X90X36  | 2X90X36 EMT ELBOW | 9                | BLK             |
| EMTELB3X90X36  | 3X90X36 EMT ELBOW | 16               | BLK             |
| EMTELB4X90X36  | 4X90X36 EMT ELBOW | 24               | BLK             |
| EMTELB2X45X36  | 2X45X36 EMT ELBOW | 8                | BLK             |
| EMTELB3X45X36  | 3X45X36 EMT ELBOW | 14               | BLK             |
| EMTELB4X45X36  | 4X45X36 EMT ELBOW | 20               | BLK             |
| EMTELB2X60X36  | 2X60X36 EMT ELBOW | 8                | BLK             |
| EMTELB3X60X36  | 3X60X36 EMT ELBOW | 14               | BLK             |
| EMTELB4X60X36  | 4X60X36 EMT ELBOW | 22               | BLK             |
| EMTELB2X30X36  | 2X30X36 EMT ELBOW | 7                | BLK             |
| EMTELB3X30X36  | 3X30X36 EMT ELBOW | 13               | BLK             |
| EMTELB4X30X36  | 4X30X36 EMT ELBOW | 19               | BLK             |
| EMTELB4X90X48  | 4X90X48 EMT ELBOW | 31               | BLK             |
| EMTELB4X45X48  | 4X45X48 EMT ELBOW | 26               | BLK             |
| EMTELB4X60X48  | 4X60X48 EMT ELBOW | 28               | BLK             |
| EMTELB4X30X48  | 4X30X48 EMT ELBOW | 25               | BLK             |

All E.M.T. special radius elbows are noncancelable and nonreturnable.



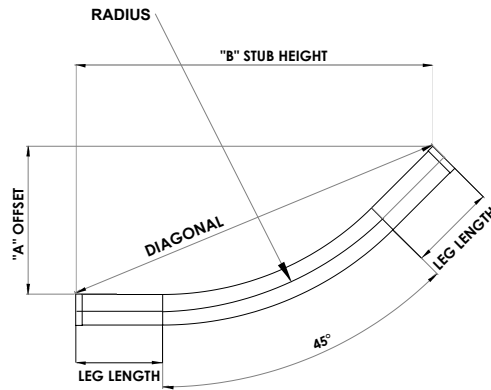
### Standard Radius Elbows • EMT

|        | Radius (in.)    | 4       | 4-1/2   | 5-3/4   | 7-1/4  | 8-1/4    | 9-1/2    | 10-1/2   | 13       | 15       | 16       |
|--------|-----------------|---------|---------|---------|--------|----------|----------|----------|----------|----------|----------|
| Degree | Size            | 1/2     | 3/4     | 1       | 1-1/4  | 1-1/2    | 2        | 2-1/2    | 3        | 3-1/2    | 4        |
| 11-1/4 | LEG LENGTH      | 2       | 2       | 2       | 2-3/4  | 3        | 4-1/4    | 5-1/4    | 5-7/8    | 6-3/4    | 7        |
|        | UNBENT LENGTH   | 4-13/16 | 4-7/8   | 5-1/8   | 6-7/8  | 8-1/4    | 10-3/8   | 12-9/16  | 14-3/16  | 16-3/8   | 17       |
|        | DIAGONAL        | 4-3/4   | 4-7/8   | 5-1/8   | 6-7/8  | 8-1/4    | 10-3/8   | 12-1/2   | 14-1/4   | 16-1/4   | 16-15/16 |
|        | "A" OFFSET      | 1/2     | 1/2     | 1/2     | 11/16  | 3/4      | 1        | 1-1/4    | 1-3/8    | 1-1/2    | 1-3/4    |
|        | "B" STUB HEIGHT | 4-3/4   | 4-13/16 | 5       | 6-7/8  | 8-3/16   | 10-1/2   | 12-1/2   | 14-1/16  | 16-1/4   | 17       |
| 15     | LEG LENGTH      | 2       | 2       | 2       | 2-3/4  | 3-1/4    | 4-5/16   | 5-1/4    | 5-7/8    | 6-3/4    | 7        |
|        | UNBENT LENGTH   | 5-1/16  | 5-3/16  | 5-1/2   | 7-1/4  | 8-5/8    | 11-1/16  | 13-11/32 | 15 1/8   | 17-15/32 | 18-5/32  |
|        | DIAGONAL        | 5       | 5-1/8   | 5       | 7-1/4  | 8-5/8    | 11       | 13-1/4   | 15       | 17-5/16  | 18       |
|        | "A" OFFSET      | 5/8     | 11/16   | 11/16   | 1      | 1 1/8    | 1-1/2    | 1-3/4    | 2        | 2-1/4    | 2-3/8    |
|        | "B" STUB HEIGHT | 5       | 5-1/8   | 5-3/8   | 7-1/8  | 8-1/2    | 10-7/8   | 13-1/8   | 15       | 17-1/4   | 17-7/8   |
| 22-1/2 | LEG LENGTH      | 2       | 2-1/16  | 2       | 2-3/4  | 3        | 4-1/4    | 5-1/4    | 5-7/8    | 6-3/4    | 7        |
|        | UNBENT LENGTH   | 5-21/32 | 5-27/32 | 6-11/32 | 8-5/16 | 9-27/32  | 12-5/16  | 14-23/32 | 16-13/16 | 19-13/32 | 20-1/4   |
|        | DIAGONAL        | 6       | 5-3/4   | 6-1/4   | 8-1/4  | 9-3/4    | 12-1/8   | 14-1/2   | 16-1/2   | 19-1/8   | 19-15/16 |
|        | "A" OFFSET      | 1 1/8   | 1       | 1       | 1-5/8  | 2        | 2-3/8    | 2-3/4    | 3-1/4    | 3-1/2    | 4        |
|        | "B" STUB HEIGHT | 5-7/16  | 5-5/8   | 6       | 8      | 9-1/2    | 11-7/8   | 14-1/4   | 16-1/4   | 18-1/2   | 19-9/16  |
| 30     | LEG LENGTH      | 2       | 2       | 2       | 2-3/4  | 3-5/16   | 4-1/4    | 5-1/4    | 5-7/8    | 6-3/4    | 7        |
|        | UNBENT LENGTH   | 6-3/16  | 6-7/16  | 7-1/8   | 9-1/4  | 10-29/32 | 13-9/16  | 16-3/32  | 18-1/2   | 21-3/8   | 22-11/32 |
|        | DIAGONAL        | 6       | 6-1/4   | 7       | 9      | 10-5/8   | 13-1/4   | 15-5/8   | 18       | 20-13/16 | 21-3/4   |
|        | "A" OFFSET      | 1-1/2   | 1-5/8   | 1-3/4   | 2-3/8  | 2-3/4    | 3-1/2    | 4        | 4-11/16  | 5-3/8    | 5-3/4    |
|        | "B" STUB HEIGHT | 5-7/8   | 6       | 7       | 8-3/4  | 10-1/4   | 12-3/4   | 15-1/8   | 17-7/16  | 20-1/8   | 21       |
| 45     | LEG LENGTH      | 2-1/16  | 2       | 2       | 2-5/8  | 3-1/2    | 4-1/4    | 5-1/8    | 5-7/8    | 6-3/4    | 7-1/4    |
|        | UNBENT LENGTH   | 7-1/4   | 7-1/2   | 8-1/2   | 11     | 13       | 16       | 18-1/2   | 22       | 25-1/4   | 27       |
|        | DIAGONAL        | 6-7/8   | 7-1/8   | 8-1/8   | 10-1/2 | 12-5/16  | 15-1/8   | 17-1/2   | 20-7/8   | 24       | 25-5/8   |
|        | "A" OFFSET      | 2-1/2   | 2-3/4   | 3       | 4      | 4-3/4    | 5-3/4    | 6-3/4    | 8        | 9-1/4    | 9-13/16  |
|        | "B" STUB HEIGHT | 6-1/2   | 6-5/8   | 7-1/2   | 9-1/2  | 11-3/8   | 14       | 16-3/16  | 19-1/4   | 22-1/8   | 23-5/8   |
| 60     | LEG LENGTH      | 2       | 2       | 2       | 2-3/4  | 3        | 4-1/4    | 5-1/4    | 5-7/8    | 6-3/4    | 7        |
|        | UNBENT LENGTH   | 8-3/16  | 8-3/4   | 10      | 13     | 15-1/8   | 18-7/16  | 21-19/32 | 25-5/16  | 29-7/32  | 30-23/32 |
|        | DIAGONAL        | 7-1/2   | 8       | 9       | 12     | 13-7/8   | 16-7/8   | 19-5/8   | 23-1/4   | 26-3/4   | 28       |
|        | "A" OFFSET      | 3-3/4   | 4       | 4-1/2   | 6      | 7        | 8-7/16   | 9-13/16  | 11-5/8   | 13-3/8   | 14       |
|        | "B" STUB HEIGHT | 6-7/16  | 6-15/16 | 8       | 10-3/8 | 12       | 14-5/8   | 17-1/16  | 20       | 23-1/8   | 24-5/16  |
| 90     | LEG LENGTH      | 2       | 2       | 2       | 2-3/4  | 3-1/4    | 4-5/16   | 5-1/4    | 5-13/16  | 6-3/4    | 6-15/16  |
|        | UNBENT LENGTH   | 10-5/16 | 11-1/16 | 13      | 16-3/4 | 19-1/2   | 23-1/2   | 27       | 32       | 37       | 39       |
|        | DIAGONAL        | 8-1/2   | 9       | 11      | 14     | 16-5/16  | 19-1/2   | 22-1/4   | 26-5/8   | 30-3/4   | 32-7/16  |
|        | "A" OFFSET      | 6       | 6-1/2   | 7-3/4   | 10     | 11-1/2   | 13-13/16 | 15-3/4   | 18-13/16 | 21-3/4   | 22-15/16 |
|        | "B" STUB HEIGHT | 6       | 6-1/2   | 7-3/4   | 10     | 11-1/2   | 13-13/16 | 15-3/4   | 18-13/16 | 21-3/4   | 22-15/16 |



### EMT Special Radius Elbows • 90 Degrees

| Size         | Radius          | 12      | 15     | 18      | 24     | 30       | 36     | 42     | 48      | 60        |
|--------------|-----------------|---------|--------|---------|--------|----------|--------|--------|---------|-----------|
| <b>1</b>     | LEG LENGTH      | 8-9/16  |        | 9-7/8   | 10-5/8 | 10-15/16 | 10-3/4 | 12     | 12-5/16 |           |
|              | UNBENT LENGTH   | 36      |        | 48      | 59     | 69       | 78     | 90     | 100     |           |
|              | DIAGONAL        | 29-1/8  |        | 39-7/16 | 49     | 57-7/8   | 66-1/6 | 76-3/8 | 85-5/16 |           |
|              | "A" OFFSET      | 20-9/16 |        | 27-7/8  | 34-5/8 | 40-15/16 | 46-3/4 | 54     | 60-5/16 |           |
|              | "B" STUB HEIGHT | 20-9/16 |        | 27-7/8  | 34-5/8 | 40-15/16 | 46-3/4 | 54     | 60-5/16 |           |
| <b>1-1/4</b> | LEG LENGTH      | 8-9/16  | 9-1/4  | 9-7/8   | 10-5/8 | 10-15/16 | 10-3/4 | 12     | 12-5/16 |           |
|              | UNBENT LENGTH   | 36      | 42     | 48      | 59     | 69       | 78     | 90     | 100     |           |
|              | DIAGONAL        | 29-1/8  | 34-1/4 | 39-7/16 | 49     | 57-7/8   | 66-1/6 | 76-3/8 | 85-5/16 |           |
|              | "A" OFFSET      | 20-9/16 | 24-1/4 | 27-7/8  | 34-5/8 | 40-15/16 | 46-3/4 | 54     | 60-5/16 |           |
|              | "B" STUB HEIGHT | 20-9/16 | 24-1/4 | 27-7/8  | 34-5/8 | 40-15/16 | 46-3/4 | 54     | 60-5/16 |           |
| <b>1-1/2</b> | LEG LENGTH      | 8-9/16  | 9-1/4  | 9-7/8   | 10-5/8 | 10-15/16 | 10-3/4 | 12     | 12-5/16 |           |
|              | UNBENT LENGTH   | 36      | 42     | 48      | 59     | 69       | 78     | 90     | 100     |           |
|              | DIAGONAL        | 29-1/8  | 34-1/4 | 39-7/16 | 49     | 57-7/8   | 66-1/6 | 76-3/8 | 85-5/16 |           |
|              | "A" OFFSET      | 20-9/16 | 24-1/4 | 27-7/8  | 34-5/8 | 40-15/16 | 46-3/4 | 54     | 60-5/16 |           |
|              | "B" STUB HEIGHT | 20-9/16 | 24-1/4 | 27-7/8  | 34-5/8 | 40-15/16 | 46-3/4 | 54     | 60-5/16 |           |
| <b>2</b>     | LEG LENGTH      | 8-9/16  | 9-1/4  | 9-7/8   | 10-5/8 | 10-15/16 | 10-3/4 | 12     | 12-5/16 |           |
|              | UNBENT LENGTH   | 36      | 42     | 48      | 59     | 69       | 78     | 90     | 100     |           |
|              | DIAGONAL        | 29-1/8  | 34-1/4 | 39-7/16 | 49     | 57-7/8   | 66-1/6 | 76-3/8 | 85-5/16 |           |
|              | "A" OFFSET      | 20-9/16 | 24-1/4 | 27-7/8  | 34-5/8 | 40-15/16 | 46-3/4 | 54     | 60-5/16 |           |
|              | "B" STUB HEIGHT | 20-9/16 | 24-1/4 | 27-7/8  | 34-5/8 | 40-15/16 | 46-3/4 | 54     | 60-5/16 |           |
| <b>2-1/2</b> | LEG LENGTH      | 8-9/16  | 9-1/4  | 9-7/8   | 10-5/8 | 10-15/16 | 10-3/4 | 12     | 12-5/16 |           |
|              | UNBENT LENGTH   | 36      | 42     | 48      | 59     | 69       | 78     | 90     | 100     |           |
|              | DIAGONAL        | 29-1/8  | 34-1/4 | 39-7/16 | 49     | 57-7/8   | 66-1/6 | 76-3/8 | 85-5/16 |           |
|              | "A" OFFSET      | 20-9/16 | 24-1/4 | 27-7/8  | 34-5/8 | 40-15/16 | 46-3/4 | 54     | 60-5/16 |           |
|              | "B" STUB HEIGHT | 20-9/16 | 24-1/4 | 27-7/8  | 34-5/8 | 40-15/16 | 46-3/4 | 54     | 60-5/16 |           |
| <b>3</b>     | LEG LENGTH      |         | 9-1/4  | 9-7/8   | 10-5/8 | 10-15/16 | 10-3/4 | 12     | 12-5/16 |           |
|              | UNBENT LENGTH   |         | 42     | 48      | 59     | 69       | 78     | 90     | 100     |           |
|              | DIAGONAL        |         | 34-1/4 | 39-7/16 | 49     | 57-7/8   | 66-1/6 | 76-3/8 | 85-5/16 |           |
|              | "A" OFFSET      |         | 24-1/4 | 27-7/8  | 34-5/8 | 40-15/16 | 46-3/4 | 54     | 60-5/16 |           |
|              | "B" STUB HEIGHT |         | 24-1/4 | 27-7/8  | 34-5/8 | 40-15/16 | 46-3/4 | 54     | 60-5/16 |           |
| <b>3-1/2</b> | LEG LENGTH      |         |        | 9-7/8   | 10-5/8 | 10-15/16 | 10-3/4 | 12     | 12-5/16 |           |
|              | UNBENT LENGTH   |         |        | 48      | 59     | 69       | 78     | 90     | 100     |           |
|              | DIAGONAL        |         |        | 39-7/16 | 49     | 57-7/8   | 66-1/6 | 76-3/8 | 85-5/16 |           |
|              | "A" OFFSET      |         |        | 27-7/8  | 34-5/8 | 40-15/16 | 46-3/4 | 54     | 60-5/16 |           |
|              | "B" STUB HEIGHT |         |        | 27-7/8  | 34-5/8 | 40-15/16 | 46-3/4 | 54     | 60-5/16 |           |
| <b>4</b>     | LEG LENGTH      |         |        | 9-7/8   | 10-5/8 | 10-15/16 | 10-3/4 | 12     | 12-5/16 | 11-7/8    |
|              | UNBENT LENGTH   |         |        | 48      | 59     | 69       | 78     | 90     | 100     | 118       |
|              | DIAGONAL        |         |        | 39-7/16 | 49     | 57-7/8   | 66-1/6 | 76-3/8 | 85-5/16 | 101-11/16 |
|              | "A" OFFSET      |         |        | 27-7/8  | 34-5/8 | 40-15/16 | 46-3/4 | 54     | 60-5/16 | 71-7/8    |
|              | "B" STUB HEIGHT |         |        | 27-7/8  | 34-5/8 | 40-15/16 | 46-3/4 | 54     | 60-5/16 | 71-7/8    |
| <b>5</b>     | LEG LENGTH      |         |        |         |        | 10-15/16 | 10-3/4 | 12     | 12-5/16 | 11-7/8    |
|              | UNBENT LENGTH   |         |        |         |        | 69       | 78     | 90     | 100     | 118       |
|              | DIAGONAL        |         |        |         |        | 57-7/8   | 66-1/6 | 76-3/8 | 85-5/16 | 101-11/16 |
|              | "A" OFFSET      |         |        |         |        | 40-15/16 | 46-3/4 | 54     | 60-5/16 | 71-7/8    |
|              | "B" STUB HEIGHT |         |        |         |        | 40-15/16 | 46-3/4 | 54     | 60-5/16 | 71-7/8    |
| <b>6</b>     | LEG LENGTH      |         |        |         |        |          | 10-3/4 | 12     | 12-5/16 | 11-7/8    |
|              | UNBENT LENGTH   |         |        |         |        |          | 78     | 90     | 100     | 118       |
|              | DIAGONAL        |         |        |         |        |          | 66-1/6 | 76-3/8 | 85-5/16 | 101-11/16 |
|              | "A" OFFSET      |         |        |         |        |          | 46-3/4 | 54     | 60-5/16 | 71-7/8    |
|              | "B" STUB HEIGHT |         |        |         |        |          | 46-3/4 | 54     | 60-5/16 | 71-7/8    |



### EMT Special Radius Elbows • 45 Degrees

| Size  | Radius          | 12       | 15       | 18       | 24       | 30      | 36       | 42       | 48     | 60       |
|-------|-----------------|----------|----------|----------|----------|---------|----------|----------|--------|----------|
| 1     | LEG LENGTH      | 9        |          | 10       | 11       | 11      | 11       | 12       | 12     |          |
|       | UNBENT LENGTH   | 27-7/16  |          | 34-1/8   | 40-7/8   | 45-9/16 | 50-1/4   | 56-15/16 | 61-5/8 |          |
|       | DIAGONAL        | 25-13/16 |          | 32-1/4   | 38-3/4   | 43-5/16 | 47-7/8   | 54-1/4   | 58-7/8 |          |
|       | "A" OFFSET      | 9-7/8    |          | 12-5/16  | 14-13/16 | 16-9/16 | 18-5/16  | 20-3/4   | 22-1/2 |          |
|       | "B" STUB HEIGHT | 23-7/8   |          | 29-13/16 | 35-3/4   | 40      | 44-3/16  | 50-1/8   | 54-3/8 |          |
| 1-1/4 | LEG LENGTH      | 9        | 9        | 10       | 11       | 11      | 11       | 12       | 12     |          |
|       | UNBENT LENGTH   | 27-7/16  | 29-3/4   | 34-1/8   | 40-7/8   | 45-9/16 | 50-1/4   | 56-15/16 | 61-5/8 |          |
|       | DIAGONAL        | 25-13/16 | 28-1/16  | 32-1/4   | 38-3/4   | 43-5/16 | 47-7/8   | 54-1/4   | 58-7/8 |          |
|       | "A" OFFSET      | 9-7/8    | 10-3/4   | 12-5/16  | 14-13/16 | 16-9/16 | 18-5/16  | 20-3/4   | 22-1/2 |          |
|       | "B" STUB HEIGHT | 23-7/8   | 25-15/16 | 29-13/16 | 35-3/4   | 40      | 44-3/16  | 50-1/8   | 54-3/8 |          |
| 1-1/2 | LEG LENGTH      | 9        | 9        | 10       | 11       | 11      | 11       | 12       | 12     |          |
|       | UNBENT LENGTH   | 27-7/16  | 29-3/4   | 34-1/8   | 40-7/8   | 45-9/16 | 50-1/4   | 56-15/16 | 61-5/8 |          |
|       | DIAGONAL        | 25-13/16 | 28-1/16  | 32-1/4   | 38-3/4   | 43-5/16 | 47-7/8   | 54-1/4   | 58-7/8 |          |
|       | "A" OFFSET      | 9-7/8    | 10-3/4   | 12-5/16  | 14-13/16 | 16-9/16 | 18-5/16  | 20-3/4   | 22-1/2 |          |
|       | "B" STUB HEIGHT | 23-7/8   | 25-15/16 | 29-13/16 | 35-3/4   | 40      | 44-3/16  | 50-1/8   | 54-3/8 |          |
| 2     | LEG LENGTH      | 9        | 9        | 10       | 11       | 11      | 11       | 12       | 12     |          |
|       | UNBENT LENGTH   | 27-7/16  | 29-3/4   | 34-1/8   | 40-7/8   | 45-9/16 | 50-1/4   | 56-15/16 | 61-5/8 |          |
|       | DIAGONAL        | 25-13/16 | 28-1/16  | 32-1/4   | 38-3/4   | 43-5/16 | 47-7/8   | 54-1/4   | 58-7/8 |          |
|       | "A" OFFSET      | 9-7/8    | 10-3/4   | 12-5/16  | 14-13/16 | 16-9/16 | 18-5/16  | 20-3/4   | 22-1/2 |          |
|       | "B" STUB HEIGHT | 23-7/8   | 25-15/16 | 29-13/16 | 35-3/4   | 40      | 44-3/16  | 50-1/8   | 54-3/8 |          |
| 2-1/2 | LEG LENGTH      | 9        | 9        | 10       | 11       | 11      | 11       | 12       | 12     |          |
|       | UNBENT LENGTH   | 27-7/16  | 29-3/4   | 34-1/8   | 40-7/8   | 45-9/16 | 50-1/4   | 56-15/16 | 61-5/8 |          |
|       | DIAGONAL        | 25-13/16 | 28-1/16  | 32-1/4   | 38-3/4   | 43-5/16 | 47-7/8   | 54-1/4   | 58-7/8 |          |
|       | "A" OFFSET      | 9-7/8    | 10-3/4   | 12-5/16  | 14-13/16 | 16-9/16 | 18-5/16  | 20-3/4   | 22-1/2 |          |
|       | "B" STUB HEIGHT | 23-7/8   | 25-15/16 | 29-13/16 | 35-3/4   | 40      | 44-3/16  | 50-1/8   | 54-3/8 |          |
| 3     | LEG LENGTH      |          | 9        | 10       | 11       | 11      | 11       | 12       | 12     |          |
|       | UNBENT LENGTH   |          | 29-3/4   | 34-1/8   | 40-7/8   | 45-9/16 | 50-1/4   | 56-15/16 | 61-5/8 |          |
|       | DIAGONAL        |          | 28-1/16  | 32-1/4   | 38-3/4   | 43-5/16 | 47-7/8   | 54-1/4   | 58-7/8 |          |
|       | "A" OFFSET      |          | 10-3/4   | 12-5/16  | 14-13/16 | 16-9/16 | 18-5/16  | 20-3/4   | 22-1/2 |          |
|       | "B" STUB HEIGHT |          | 25-15/16 | 29-13/16 | 35-3/4   | 40      | 44-3/16  | 50-1/8   | 54-3/8 |          |
| 3-1/2 | LEG LENGTH      |          |          | 10       | 11       | 11      | 11       | 12       | 12     |          |
|       | UNBENT LENGTH   |          |          | 34-1/8   | 40-7/8   | 45-9/16 | 50-1/4   | 56-15/16 | 61-5/8 |          |
|       | DIAGONAL        |          |          | 32-1/4   | 38-3/4   | 43-5/16 | 47-7/8   | 54-1/4   | 58-7/8 |          |
|       | "A" OFFSET      |          |          | 12-5/16  | 14-13/16 | 16-9/16 | 18-5/16  | 20-3/4   | 22-1/2 |          |
|       | "B" STUB HEIGHT |          |          | 29-13/16 | 35-3/4   | 40      | 44-3/16  | 50-1/8   | 54-3/8 |          |
| 4     | LEG LENGTH      |          |          | 10       | 11       | 11      | 11       | 12       | 12     | 12       |
|       | UNBENT LENGTH   |          |          | 34-1/8   | 40-7/8   | 45-9/16 | 50-1/4   | 56-15/16 | 61-5/8 | 71-1/8   |
|       | DIAGONAL        |          |          | 32-1/4   | 38-3/4   | 43-5/16 | 47-7/8   | 54-1/4   | 58-7/8 | 68-1/8   |
|       | "A" OFFSET      |          |          | 12-5/16  | 14-13/16 | 16-9/16 | 18-5/16  | 20-3/4   | 22-1/2 | 26-1/16  |
|       | "B" STUB HEIGHT |          |          | 29-13/16 | 35-3/4   | 40      | 44-3/16  | 50-1/8   | 54-3/8 | 62-15/16 |
| 5     | LEG LENGTH      |          |          |          | 11       | 11      | 11       | 12       | 12     | 12       |
|       | UNBENT LENGTH   |          |          |          | 45-9/16  | 50-1/4  | 56-15/16 | 61-5/8   | 61-5/8 | 71-1/8   |
|       | DIAGONAL        |          |          |          | 43-5/16  | 47-7/8  | 54-1/4   | 58-7/8   | 68-1/8 | 68-1/8   |
|       | "A" OFFSET      |          |          |          | 16-9/16  | 18-5/16 | 20-3/4   | 22-1/2   | 22-1/2 | 26-1/16  |
|       | "B" STUB HEIGHT |          |          |          | 40       | 44-3/16 | 50-1/8   | 54-3/8   | 54-3/8 | 62-15/16 |
| 6     | LEG LENGTH      |          |          |          |          |         | 11       | 12       | 12     | 12       |
|       | UNBENT LENGTH   |          |          |          |          |         | 50-1/4   | 56-15/16 | 61-5/8 | 71-1/8   |
|       | DIAGONAL        |          |          |          |          |         | 47-7/8   | 54-1/4   | 58-7/8 | 68-1/8   |
|       | "A" OFFSET      |          |          |          |          |         | 18-5/16  | 20-3/4   | 22-1/2 | 26-1/16  |
|       | "B" STUB HEIGHT |          |          |          |          |         | 44-3/16  | 50-1/8   | 54-3/8 | 62-15/16 |

### Aluminum Conduit Couplings

| Catalog Number | Description             | Weight Per 100 Pieces (lbs) | Standard Carton |
|----------------|-------------------------|-----------------------------|-----------------|
| ALUCPLG-1/2    | 1/2 ALUMINUM COUPLING   | 6                           | 50              |
| ALUCPLG-3/4    | 3/4 ALUMINUM COUPLING   | 9                           | 50              |
| ALUCPLG-1      | 1 ALUMINUM COUPLING     | 13                          | 50              |
| ALUCPLG-1-1/4  | 1-1/4 ALUMINUM COUPLING | 19                          | 50              |
| ALUCPLG-1-1/2  | 1-1/2 ALUMINUM COUPLING | 23                          | 50              |
| ALUCPLG-2      | 2 ALUMINUM COUPLING     | 35                          | 20              |
| ALUCPLG-2-1/2  | 2-1/2 ALUMINUM COUPLING | 68                          | 12              |
| ALUCPLG-3      | 3 ALUMINUM COUPLING     | 91                          | 12              |
| ALUCPLG-3-1/2  | 3-1/2 ALUMINUM COUPLING | 108                         | 12              |
| ALUCPLG-4      | 4 ALUMINUM COUPLING     | 142                         | 12              |
| ALUCPLG-5      | 5 ALUMINUM COUPLING     | 242                         | BLK             |
| ALUCPLG-6      | 6 ALUMINUM COUPLING     | 320                         | BLK             |

### Aluminum Conduit Standard Radius Elbows

| Catalog Number | Description             | Weight Per 100 Pieces (lbs) | Standard Carton |
|----------------|-------------------------|-----------------------------|-----------------|
| ALUEL1/2X90    | 1/2X90 ALUMINUM ELBOW   | 26                          | 10              |
| ALUEL3/4X90    | 3/4X90 ALUMINUM ELBOW   | 36                          | 10              |
| ALUEL1X90      | 1X90 ALUMINUM ELBOW     | 63                          | 10              |
| ALUEL1-1/4X90  | 1-1/4X90 ALUMINUM ELBOW | 101                         | 10              |
| ALUEL1-1/2X90  | 1-1/2X90 ALUMINUM ELBOW | 140                         | 10              |
| ALUEL2X90      | 2X90 ALUMINUM ELBOW     | 230                         | 10              |
| ALUEL2-1/2X90  | 2-1/2X90 ALUMINUM ELBOW | 408                         | BLK             |
| ALUEL3X90      | 3X90 ALUMINUM ELBOW     | 641                         | BLK             |
| ALUEL3-1/2X90  | 3-1/2X90 ALUMINUM ELBOW | 893                         | BLK             |
| ALUEL4X90      | 4X90 ALUMINUM ELBOW     | 1114                        | BLK             |
| ALUEL5X90      | 5X90 ALUMINUM ELBOW     | 2472                        | BLK             |
| ALUEL6X90      | 6X90 ALUMINUM ELBOW     | 3872                        | BLK             |
| ALUEL1/2X45    | 1/2X45 ALUMINUM ELBOW   | 22                          | 10              |
| ALUEL3/4X45    | 3/4X45 ALUMINUM ELBOW   | 31                          | 10              |
| ALUEL1X45      | 1X45 ALUMINUM ELBOW     | 54                          | 10              |
| ALUEL1-1/4X45  | 1-1/4X45 ALUMINUM ELBOW | 86                          | 10              |
| ALUEL1-1/2X45  | 1-1/2X45 ALUMINUM ELBOW | 119                         | 10              |
| ALUEL2X45      | 2X45 ALUMINUM ELBOW     | 196                         | 10              |
| ALUEL2-1/2X45  | 2-1/2X45 ALUMINUM ELBOW | 347                         | BLK             |
| ALUEL3X45      | 3X45 ALUMINUM ELBOW     | 545                         | BLK             |
| ALUEL3-1/2X45  | 3-1/2X45 ALUMINUM ELBOW | 759                         | BLK             |
| ALUEL4X45      | 4X45 ALUMINUM ELBOW     | 947                         | BLK             |
| ALUEL5X45      | 5X45 ALUMINUM ELBOW     | 2101                        | BLK             |
| ALUEL6X45      | 6X45 ALUMINUM ELBOW     | 3291                        | BLK             |

### Aluminum Special Radius Elbows

| Catalog Number    | Description                | App Weight (lbs) | Standard Carton |
|-------------------|----------------------------|------------------|-----------------|
| ALUELB1X90X12     | 1X90X12 ALUMINUM ELBOW     | 2                | BLK             |
| ALUELB1-1/4X90X12 | 1-1/4X90X12 ALUMINUM ELBOW | 2                | BLK             |
| ALUELB1-1/2X90X12 | 1-1/2X90X12 ALUMINUM ELBOW | 3                | BLK             |
| ALUELB2X90X12     | 2X90X12 ALUMINUM ELBOW     | 4                | BLK             |
| ALUELB1X45X12     | 1X45X12 ALUMINUM ELBOW     | 2                | BLK             |
| ALUELB1-1/4X45X12 | 1-1/4X45X12 ALUMINUM ELBOW | 2                | BLK             |
| ALUELB1-1/2X45X12 | 1-1/2X45X12 ALUMINUM ELBOW | 3                | BLK             |
| ALUELB2X45X12     | 2X45X12 ALUMINUM ELBOW     | 3                | BLK             |
| ALUELB1X60X12     | 1X60X12 ALUMINUM ELBOW     | 2                | BLK             |
| ALUELB1-1/4X60X12 | 1-1/4X60X12 ALUMINUM ELBOW | 2                | BLK             |
| ALUELB1-1/2X60X12 | 1-1/2X60X12 ALUMINUM ELBOW | 3                | BLK             |
| ALUELB2X60X12     | 2X60X12 ALUMINUM ELBOW     | 4                | BLK             |
| ALUELB1X30X12     | 1X30X12 ALUMINUM ELBOW     | 2                | BLK             |
| ALUELB1-1/4X30X12 | 1-1/4X30X12 ALUMINUM ELBOW | 2                | BLK             |
| ALUELB1-1/2X30X12 | 1-1/2X30X12 ALUMINUM ELBOW | 2                | BLK             |
| ALUELB2X30X12     | 2X30X12 ALUMINUM ELBOW     | 3                | BLK             |
| ALUELB2X90X15     | 2X90X15 ALUMINUM ELBOW     | 4                | BLK             |
| ALUELB2X45X15     | 2X45X15 ALUMINUM ELBOW     | 3                | BLK             |
| ALUELB2X60X15     | 2X60X15 ALUMINUM ELBOW     | 4                | BLK             |
| ALUELB2X30X15     | 2X30X15 ALUMINUM ELBOW     | 3                | BLK             |
| ALUELB1X90X18     | 1X90X18 ALUMINUM ELBOW     | 2                | BLK             |
| ALUELB1-1/4X90X18 | 1-1/4X90X18 ALUMINUM ELBOW | 3                | BLK             |
| ALUELB1-1/2X90X18 | 1-1/2X90X18 ALUMINUM ELBOW | 4                | BLK             |
| ALUELB2X90X18     | 2X90X18 ALUMINUM ELBOW     | 5                | BLK             |
| ALUELB2-1/2X90X18 | 2-1/2X90X18 ALUMINUM ELBOW | 8                | BLK             |
| ALUELB3X90X18     | 3X90X18 ALUMINUM ELBOW     | 10               | BLK             |
| ALUELB3-1/2X90X18 | 3-1/2X90X18 ALUMINUM ELBOW | 12               | BLK             |
| ALUELB4X90X18     | 4X90X18 ALUMINUM ELBOW     | 14               | BLK             |
| ALUELB1X45X18     | 1X45X18 ALUMINUM ELBOW     | 2                | BLK             |
| ALUELB1-1/4X45X18 | 1-1/4X45X18 ALUMINUM ELBOW | 3                | BLK             |
| ALUELB1-1/2X45X18 | 1-1/2X45X18 ALUMINUM ELBOW | 3                | BLK             |
| ALUELB2X45X18     | 2X45X18 ALUMINUM ELBOW     | 4                | BLK             |
| ALUELB2-1/2X45X18 | 2-1/2X45X18 ALUMINUM ELBOW | 7                | BLK             |
| ALUELB3X45X18     | 3X45X18 ALUMINUM ELBOW     | 9                | BLK             |
| ALUELB3-1/2X45X18 | 3-1/2X45X18 ALUMINUM ELBOW | 10               | BLK             |
| ALUELB4X45X18     | 4X45X18 ALUMINUM ELBOW     | 12               | BLK             |

Weights shown are approximate for 90° elbows. To arrive at weights for 60° elbows deduct 10%, for 45° elbows deduct 15%, and for 30° elbows deduct 20%. **All products on this page are made to order. Consult factory for lead times. All Aluminum elbows are noncancelable and nonreturnable.**

### Aluminum Special Radius Elbows

| Catalog Number    | Description                | App Weight (lbs) | Standard Carton |
|-------------------|----------------------------|------------------|-----------------|
| ALUELB1X60X18     | 1X60X18 ALUMINUM ELBOW     | 2                | BLK             |
| ALUELB1-1/4X60X18 | 1-1/4X60X18 ALUMINUM ELBOW | 3                | BLK             |
| ALUELB1-1/2X60X18 | 1-1/2X60X18 ALUMINUM ELBOW | 4                | BLK             |
| ALUELB2X60X18     | 2X60X18 ALUMINUM ELBOW     | 5                | BLK             |
| ALUELB2-1/2X60X18 | 2-1/2X60X18 ALUMINUM ELBOW | 7                | BLK             |
| ALUELB3X60X18     | 3X60X18 ALUMINUM ELBOW     | 9                | BLK             |
| ALUELB3-1/2X60X18 | 3-1/2X60X18 ALUMINUM ELBOW | 11               | BLK             |
| ALUELB4X60X18     | 4X60X18 ALUMINUM ELBOW     | 13               | BLK             |
| ALUELB1X30X18     | 1X30X18 ALUMINUM ELBOW     | 2                | BLK             |
| ALUELB1-1/4X30X18 | 1-1/4X30X18 ALUMINUM ELBOW | 2                | BLK             |
| ALUELB1-1/2X30X18 | 1-1/2X30X18 ALUMINUM ELBOW | 3                | BLK             |
| ALUELB2X30X18     | 2X30X18 ALUMINUM ELBOW     | 4                | BLK             |
| ALUELB2-1/2X30X18 | 2-1/2X30X18 ALUMINUM ELBOW | 6                | BLK             |
| ALUELB3X30X18     | 3X30X18 ALUMINUM ELBOW     | 8                | BLK             |
| ALUELB3-1/2X30X18 | 3 1/2X30X18 ALUMINUM ELBOW | 10               | BLK             |
| ALUELB4X30X18     | 4X30X18 ALUMINUM ELBOW     | 11               | BLK             |
| ALUELB1X90X24     | 1X90X24 ALUMINUM ELBOW     | 3                | BLK             |
| ALUELB1-1/4X90X24 | 1-1/4X90X24 ALUMINUM ELBOW | 4                | BLK             |
| ALUELB1-1/2X90X24 | 1-1/2X90X24 ALUMINUM ELBOW | 5                | BLK             |
| ALUELB2X90X24     | 2X90X24 ALUMINUM ELBOW     | 6                | BLK             |
| ALUELB2-1/2X90X24 | 2-1/2X90X24 ALUMINUM ELBOW | 9                | BLK             |
| ALUELB3X90X24     | 3X90X24 ALUMINUM ELBOW     | 12               | BLK             |
| ALUELB3-1/2X90X24 | 3-1/2X90X24 ALUMINUM ELBOW | 14               | BLK             |
| ALUELB4X90X24     | 4X90X24 ALUMINUM ELBOW     | 17               | BLK             |
| ALUELB1X45X24     | 1X45X24 ALUMINUM ELBOW     | 3                | BLK             |
| ALUELB1-1/4X45X24 | 1-1/4X45X24 ALUMINUM ELBOW | 3                | BLK             |
| ALUELB1-1/2X45X24 | 1-1/2X45X24 ALUMINUM ELBOW | 4                | BLK             |
| ALUELB2X45X24     | 2X45X24 ALUMINUM ELBOW     | 5                | BLK             |
| ALUELB2-1/2X45X24 | 2-1/2X45X24 ALUMINUM ELBOW | 8                | BLK             |
| ALUELB3X45X24     | 3X45X24 ALUMINUM ELBOW     | 10               | BLK             |
| ALUELB3-1/2X45X24 | 3-1/2X45X24 ALUMINUM ELBOW | 12               | BLK             |
| ALUELB4X45X24     | 4X45X24 ALUMINUM ELBOW     | 14               | BLK             |
| ALUELB1X60X24     | 1X60X24 ALUMINUM ELBOW     | 3                | BLK             |
| ALUELB1-1/4X60X24 | 1-1/4X60X24 ALUMINUM ELBOW | 4                | BLK             |
| ALUELB1-1/2X60X24 | 1-1/2X60X24 ALUMINUM ELBOW | 5                | BLK             |
| ALUELB2X60X24     | 2X60X24 ALUMINUM ELBOW     | 5                | BLK             |
| ALUELB2-1/2X60X24 | 2-1/2X60X24 ALUMINUM ELBOW | 8                | BLK             |
| ALUELB3X60X24     | 3X60X24 ALUMINUM ELBOW     | 11               | BLK             |
| ALUELB3-1/2X60X24 | 3-1/2X60X24 ALUMINUM ELBOW | 13               | BLK             |
| ALUELB4X60X24     | 4X60X24 ALUMINUM ELBOW     | 15               | BLK             |

Weights shown are approximate for 90° elbows. To arrive at weights for 60° elbows deduct 10%, for 45° elbows deduct 15%, and for 30° elbows deduct 20%. **All products on this page are made to order. Consult factory for lead times. All Aluminum elbows are noncancelable and nonreturnable.**

### Aluminum Special Radius Elbows

| Catalog Number    | Description                | App Weight (lbs) | Standard Carton |
|-------------------|----------------------------|------------------|-----------------|
| ALUELB1X30X24     | 1X30X24 ALUMINUM ELBOW     | 2                | BLK             |
| ALUELB1-1/4X30X24 | 1-1/4X30X24 ALUMINUM ELBOW | 3                | BLK             |
| ALUELB1-1/2X30X24 | 1-1/2X30X24 ALUMINUM ELBOW | 4                | BLK             |
| ALUELB2X30X24     | 2X30X24 ALUMINUM ELBOW     | 5                | BLK             |
| ALUELB2-1/2X30X24 | 2-1/2X30X24 ALUMINUM ELBOW | 7                | BLK             |
| ALUELB3X30X24     | 3X30X24 ALUMINUM ELBOW     | 10               | BLK             |
| ALUELB3-1/2X30X24 | 3-1/2X30X24 ALUMINUM ELBOW | 11               | BLK             |
| ALUELB4X30X24     | 4X30X24 ALUMINUM ELBOW     | 14               | BLK             |
| ALUELB1X90X30     | 1X90X30 ALUMINUM ELBOW     | 3                | BLK             |
| ALUELB1-1/4X90X30 | 1-1/4X90X30 ALUMINUM ELBOW | 4                | BLK             |
| ALUELB1-1/2X90X30 | 1-1/2X90X30 ALUMINUM ELBOW | 5                | BLK             |
| ALUELB2X90X30     | 2X90X30 ALUMINUM ELBOW     | 7                | BLK             |
| ALUELB2-1/2X90X30 | 2-1/2X90X30 ALUMINUM ELBOW | 11               | BLK             |
| ALUELB3X90X30     | 3X90X30 ALUMINUM ELBOW     | 14               | BLK             |
| ALUELB4X90X30     | 4X90X30 ALUMINUM ELBOW     | 20               | BLK             |
| ALUELB5X90X30     | 5X90X30 ALUMINUM ELBOW     | 29               | BLK             |
| ALUELB1X45X30     | 1X45X30 ALUMINUM ELBOW     | 3                | BLK             |
| ALUELB1-1/4X45X30 | 1-1/4X45X30 ALUMINUM ELBOW | 3                | BLK             |
| ALUELB1-1/2X45X30 | 1-1/2X45X30 ALUMINUM ELBOW | 4                | BLK             |
| ALUELB2X45X30     | 2X45X30 ALUMINUM ELBOW     | 6                | BLK             |
| ALUELB2-1/2X45X30 | 2-1/2X45X30 ALUMINUM ELBOW | 9                | BLK             |
| ALUELB3X45X30     | 3X45X30 ALUMINUM ELBOW     | 12               | BLK             |
| ALUELB4X45X30     | 4X45X30 ALUMINUM ELBOW     | 17               | BLK             |
| ALUELB5X45X30     | 5X45X30 ALUMINUM ELBOW     | 25               | BLK             |
| ALUELB1X60X30     | 1X60X30 ALUMINUM ELBOW     | 3                | BLK             |
| ALUELB1-1/4X60X30 | 1-1/4X60X30 ALUMINUM ELBOW | 4                | BLK             |
| ALUELB1-1/2X60X30 | 1-1/2X60X30 ALUMINUM ELBOW | 5                | BLK             |
| ALUELB2X60X30     | 2X60X30 ALUMINUM ELBOW     | 6                | BLK             |
| ALUELB2-1/2X60X30 | 2-1/2X60X30 ALUMINUM ELBOW | 10               | BLK             |
| ALUELB3X60X30     | 3X60X30 ALUMINUM ELBOW     | 13               | BLK             |
| ALUELB4X60X30     | 4X60X30 ALUMINUM ELBOW     | 18               | BLK             |
| ALUELB5X60X30     | 5X60X30 ALUMINUM ELBOW     | 26               | BLK             |

Weights shown are approximate for 90° elbows. To arrive at weights for 60° elbows deduct 10%, for 45° elbows deduct 15%, and for 30° elbows deduct 20%. **All products on this page are made to order. Consult factory for lead times. All Aluminum elbows are noncancelable and nonreturnable.**



### Aluminum Special Radius Elbows

| Catalog Number    | Description                | App Weight (lbs) | Standard Carton |
|-------------------|----------------------------|------------------|-----------------|
| ALUELB1X30X30     | 1X30X30 ALUMINUM ELBOW     | 2                | BLK             |
| ALUELB1-1/4X30X30 | 1-1/4X30X30 ALUMINUM ELBOW | 3                | BLK             |
| ALUELB1-1/2X30X30 | 1-1/2X30X30 ALUMINUM ELBOW | 5                | BLK             |
| ALUELB2X30X30     | 2X30X30 ALUMINUM ELBOW     | 6                | BLK             |
| ALUELB2-1/2X30X30 | 2-1/2X30X30 ALUMINUM ELBOW | 10               | BLK             |
| ALUELB3X30X30     | 3X30X30 ALUMINUM ELBOW     | 13               | BLK             |
| ALUELB4X30X30     | 4X30X30 ALUMINUM ELBOW     | 16               | BLK             |
| ALUELB5X30X30     | 5X30X30 ALUMINUM ELBOW     | 23               | BLK             |
| ALUELB1X90X36     | 1X90X36 ALUMINUM ELBOW     | 4                | BLK             |
| ALUELB1-1/4X90X36 | 1-1/4X90X36 ALUMINUM ELBOW | 5                | BLK             |
| ALUELB1-1/2X90X36 | 1-1/2X90X36 ALUMINUM ELBOW | 6                | BLK             |
| ALUELB2X90X36     | 2X90X36 ALUMINUM ELBOW     | 8                | BLK             |
| ALUELB2-1/2X90X36 | 2-1/2X90X36 ALUMINUM ELBOW | 12               | BLK             |
| ALUELB3X90X36     | 3X90X36 ALUMINUM ELBOW     | 16               | BLK             |
| ALUELB3-1/2X90X36 | 3-1/2X90X36 ALUMINUM ELBOW | 19               | BLK             |
| ALUELB4X90X36     | 4X90X36 ALUMINUM ELBOW     | 23               | BLK             |
| ALUELB5X90X36     | 5X90X36 ALUMINUM ELBOW     | 32               | BLK             |
| ALUELB6X90X36     | 6X90X36 ALUMINUM ELBOW     | 42               | BLK             |
| ALUELB1X45X36     | 1X45X36 ALUMINUM ELBOW     | 3                | BLK             |
| ALUELB1-1/4X45X36 | 1-1/4X45X36 ALUMINUM ELBOW | 4                | BLK             |
| ALUELB1-1/2X45X36 | 1-1/2X45X36 ALUMINUM ELBOW | 5                | BLK             |
| ALUELB2X45X36     | 2X45X36 ALUMINUM ELBOW     | 7                | BLK             |
| ALUELB2-1/2X45X36 | 2-1/2X45X36 ALUMINUM ELBOW | 10               | BLK             |
| ALUELB3X45X36     | 3X45X36 ALUMINUM ELBOW     | 14               | BLK             |
| ALUELB3-1/2X45X36 | 3-1/2X45X36 ALUMINUM ELBOW | 16               | BLK             |
| ALUELB4X45X36     | 4X45X36 ALUMINUM ELBOW     | 20               | BLK             |
| ALUELB5X45X36     | 5X45X36 ALUMINUM ELBOW     | 27               | BLK             |
| ALUELB6X45X36     | 6X45X36 ALUMINUM ELBOW     | 29               | BLK             |
| ALUELB1X60X36     | 1X60X36 ALUMINUM ELBOW     | 4                | BLK             |
| ALUELB1-1/4X60X36 | 1-1/4X60X36 ALUMINUM ELBOW | 5                | BLK             |
| ALUELB1-1/2X60X36 | 1-1/2X60X36 ALUMINUM ELBOW | 5                | BLK             |
| ALUELB2X60X36     | 2X60X36 ALUMINUM ELBOW     | 7                | BLK             |
| ALUELB2-1/2X60X36 | 2-1/2X60X36 ALUMINUM ELBOW | 11               | BLK             |
| ALUELB3X60X36     | 3X60X36 ALUMINUM ELBOW     | 14               | BLK             |
| ALUELB3-1/2X60X36 | 3-1/2X60X36 ALUMINUM ELBOW | 17               | BLK             |
| ALUELB4X60X36     | 4X60X36 ALUMINUM ELBOW     | 18               | BLK             |
| ALUELB5X60X36     | 5X60X36 ALUMINUM ELBOW     | 29               | BLK             |
| ALUELB6X60X36     | 6X60X36 ALUMINUM ELBOW     | 39               | BLK             |

Weights shown are approximate for 90° elbows. To arrive at weights for 60° elbows deduct 10%, for 45° elbows deduct 15%, and for 30° elbows deduct 20%. **All products on this page are made to order. Consult factory for lead times. All Aluminum elbows are noncancelable and nonreturnable.**

### Aluminum Special Radius Elbows

| Catalog Number    | Description                | App Weight (lbs) | Standard Carton |
|-------------------|----------------------------|------------------|-----------------|
| ALUELB1X30X36     | 1X30X36 ALUMINUM ELBOW     | 3                | BLK             |
| ALUELB1-1/4X30X36 | 1-1/4X30X36 ALUMINUM ELBOW | 4                | BLK             |
| ALUELB1-1/2X30X36 | 1-1/2X30X36 ALUMINUM ELBOW | 5                | BLK             |
| ALUELB2X30X36     | 2X30X36 ALUMINUM ELBOW     | 6                | BLK             |
| ALUELB2-1/2X30X36 | 2-1/2X30X36 ALUMINUM ELBOW | 10               | BLK             |
| ALUELB3X30X36     | 3X30X36 ALUMINUM ELBOW     | 13               | BLK             |
| ALUELB3-1/2X30X36 | 3-1/2X30X36 ALUMINUM ELBOW | 15               | BLK             |
| ALUELB4X30X36     | 4X30X36 ALUMINUM ELBOW     | 18               | BLK             |
| ALUELB5X30X36     | 5X30X36 ALUMINUM ELBOW     | 26               | BLK             |
| ALUELB6X30X36     | 6X30X36 ALUMINUM ELBOW     | 34               | BLK             |
| ALUELB4X90X42     | 4X90X42 ALUMINUM ELBOW     | 26               | BLK             |
| ALUELB5X90X42     | 5X90X42 ALUMINUM ELBOW     | 37               | BLK             |
| ALUELB4X45X42     | 4X45X42 ALUMINUM ELBOW     | 22               | BLK             |
| ALUELB5X45X42     | 5X45X42 ALUMINUM ELBOW     | 31               | BLK             |
| ALUELB4X60X42     | 4X60X42 ALUMINUM ELBOW     | 23               | BLK             |
| ALUELB5X60X42     | 5X60X42 ALUMINUM ELBOW     | 33               | BLK             |
| ALUELB4X30X42     | 4X30X42 ALUMINUM ELBOW     | 21               | BLK             |
| ALUELB5X30X42     | 5X30X42 ALUMINUM ELBOW     | 30               | BLK             |
| ALUELB1X90X48     | 1X90X48 ALUMINUM ELBOW     | 5                | BLK             |
| ALUELB1-1/4X90X48 | 1-1/4X90X48 ALUMINUM ELBOW | 6                | BLK             |
| ALUELB1-1/2X90X48 | 1-1/2X90X48 ALUMINUM ELBOW | 8                | BLK             |
| ALUELB2X90X48     | 2X90X48 ALUMINUM ELBOW     | 10               | BLK             |
| ALUELB2-1/2X90X48 | 2-1/2X90X48 ALUMINUM ELBOW | 16               | BLK             |
| ALUELB3X90X48     | 3X90X48 ALUMINUM ELBOW     | 21               | BLK             |
| ALUELB3-1/2X90X48 | 3-1/2X90X48 ALUMINUM ELBOW | 25               | BLK             |
| ALUELB4X90X48     | 4X90X48 ALUMINUM ELBOW     | 29               | BLK             |
| ALUELB5X90X48     | 5X90X48 ALUMINUM ELBOW     | 42               | BLK             |
| ALUELB6X90X48     | 6X90X48 ALUMINUM ELBOW     | 54               | BLK             |

Weights shown are approximate for 90° elbows. To arrive at weights for 60° elbows deduct 10%, for 45° elbows deduct 15%, and for 30° elbows deduct 20%. **All products on this page are made to order. Consult factory for lead times. All Aluminum elbows are noncancelable and nonreturnable.**

### Aluminum Special Radius Elbows

| Catalog Number    | Description                | App Weight (lbs) | Standard Carton |
|-------------------|----------------------------|------------------|-----------------|
| ALUELB1X45X48     | 1X45X48 ALUMINUM ELBOW     | 4                | BLK             |
| ALUELB1-1/4X45X48 | 1-1/4X45X48 ALUMINUM ELBOW | 5                | BLK             |
| ALUELB1-1/2X45X48 | 1-1/2X45X48 ALUMINUM ELBOW | 7                | BLK             |
| ALUELB2X45X48     | 2X45X48 ALUMINUM ELBOW     | 9                | BLK             |
| ALUELB2-1/2X45X48 | 2-1/2X45X48 ALUMINUM ELBOW | 14               | BLK             |
| ALUELB3X45X48     | 3X45X48 ALUMINUM ELBOW     | 18               | BLK             |
| ALUELB3-1/2X45X48 | 3-1/2X45X48 ALUMINUM ELBOW | 21               | BLK             |
| ALUELB4X45X48     | 4X45X48 ALUMINUM ELBOW     | 25               | BLK             |
| ALUELB5X45X48     | 5X45X48 ALUMINUM ELBOW     | 36               | BLK             |
| ALUELB6X45X48     | 6X45X48 ALUMINUM ELBOW     | 46               | BLK             |
| ALUELB1X60X48     | 1X60X48 ALUMINUM ELBOW     | 5                | BLK             |
| ALUELB1-1/4X60X48 | 1-1/4X60X48 ALUMINUM ELBOW | 5                | BLK             |
| ALUELB1-1/2X60X48 | 1-1/2X60X48 ALUMINUM ELBOW | 7                | BLK             |
| ALUELB2X60X48     | 2X60X48 ALUMINUM ELBOW     | 9                | BLK             |
| ALUELB2-1/2X60X48 | 2-1/2X60X48 ALUMINUM ELBOW | 14               | BLK             |
| ALUELB3X60X48     | 3X60X48 ALUMINUM ELBOW     | 19               | BLK             |
| ALUELB3-1/2X60X48 | 3-1/2X60X48 ALUMINUM ELBOW | 22               | BLK             |
| ALUELB4X60X48     | 4X60X48 ALUMINUM ELBOW     | 26               | BLK             |
| ALUELB5X60X48     | 5X60X48 ALUMINUM ELBOW     | 38               | BLK             |
| ALUELB6X60X48     | 6X60X48 ALUMINUM ELBOW     | 49               | BLK             |
| ALUELB1X30X48     | 1X30X48 ALUMINUM ELBOW     | 4                | BLK             |
| ALUELB1-1/4X30X48 | 1-1/4X30X48 ALUMINUM ELBOW | 5                | BLK             |
| ALUELB1-1/2X30X48 | 1-1/2X30X48 ALUMINUM ELBOW | 6                | BLK             |
| ALUELB2X30X48     | 2X30X48 ALUMINUM ELBOW     | 8                | BLK             |
| ALUELB2-1/2X30X48 | 2-1/2X30X48 ALUMINUM ELBOW | 13               | BLK             |
| ALUELB3X30X48     | 3X30X48 ALUMINUM ELBOW     | 17               | BLK             |
| ALUELB3-1/2X30X48 | 3-1/2X30X48 ALUMINUM ELBOW | 20               | BLK             |
| ALUELB4X30X48     | 4X30X48 ALUMINUM ELBOW     | 23               | BLK             |
| ALUELB5X30X48     | 5X30X48 ALUMINUM ELBOW     | 34               | BLK             |
| ALUELB6X30X48     | 6X30X48 ALUMINUM ELBOW     | 43               | BLK             |

Weights shown are approximate for 90° elbows. To arrive at weights for 60° elbows deduct 10%, for 45° elbows deduct 15%, and for 30° elbows deduct 20%. **All products on this page are made to order. Consult factory for lead times. All Aluminum elbows are noncancelable and nonreturnable.**

## Aluminum Conduit Nipples

| Catalog Number    | Description                      | Weight Per 100 Pieces (lbs) | Standard Carton |
|-------------------|----------------------------------|-----------------------------|-----------------|
| ALUNIP1/2XCL      | 1/2X1-1/8 (CL) ALUMINUM NIPPLE   | 2                           | 25              |
| ALUNIP3/4XCL      | 3/4X13/8 (CL) ALUMINUM NIPPLE    | 3                           | 25              |
| ALUNIP1XCL        | 1X1-1/2 (CL) ALUMINUM NIPPLE     | 4                           | 25              |
| ALUNIP1-1/4XCL    | 1-1/4X1-5/8 (CL) ALUMINUM NIPPLE | 7                           | 25              |
| ALUNIP1-1/2XCL    | 1-1/2X1-3/4 (CL) ALUMINUM NIPPLE | 10                          | 25              |
| ALUNIP2XCL        | 2X2 (CL) ALUMINUM NIPPLE         | 16                          | 25              |
| ALUNIP2-1/2XCL    | 2-1/2X2-1/2 (CL) ALUMINUM NIPPLE | 22                          | 12              |
| ALUNIP3XCL        | 3X2-5/8 (CL) ALUMINUM NIPPLE     | 24                          | 12              |
| ALUNIP3-1/2XCL    | 3-1/2X2-3/4 (CL) ALUMINUM NIPPLE | 42                          | 12              |
| ALUNIP4XCL        | 4X2-7/8 (CL) ALUMINUM NIPPLE     | 51                          | 12              |
| ALUNIP5XCL        | 5X3 (CL) ALUMINUM NIPPLE         | 71                          | BLK             |
| ALUNIP6XCL        | 6X3-1/8 (CL) ALUMINUM NIPPLE     | 105                         | BLK             |
| ALUNIP1/2X1-1/2   | 1/2X1-1/2 ALUMINUM NIPPLE        | 3                           | 25              |
| ALUNIP3/4X1-1/2   | 3/4X1-1/2 ALUMINUM NIPPLE        | 3                           | 25              |
| ALUNIP1/2X2       | 1/2X2 ALUMINUM NIPPLE            | 4                           | 25              |
| ALUNIP3/4X2       | 3/4X2 ALUMINUM NIPPLE            | 5                           | 25              |
| ALUNIP1X2         | 1X2 ALUMINUM NIPPLE              | 7                           | 25              |
| ALUNIP1-1/4X2     | 1-1/4X2 ALUMINUM NIPPLE          | 10                          | 25              |
| ALUNIP1-1/2X2     | 1-1/2X2 ALUMINUM NIPPLE          | 12                          | 25              |
| ALUNIP1/2X2-1/2   | 1/2X2-1/2 ALUMINUM NIPPLE        | 5                           | 25              |
| ALUNIP3/4X2-1/2   | 3/4X2-1/2 ALUMINUM NIPPLE        | 7                           | 25              |
| ALUNIP1X2-1/2     | 1X2-1/2 ALUMINUM NIPPLE          | 8                           | 25              |
| ALUNIP1-1/4X2-1/2 | 1-1/4X2-1/2 ALUMINUM NIPPLE      | 13                          | 25              |
| ALUNIP1-1/2X2-1/2 | 1-1/2X2-1/2 ALUMINUM NIPPLE      | 16                          | 25              |
| ALUNIP2X2-1/2     | 2X2-1/2 ALUMINUM NIPPLE          | 22                          | 25              |
| ALUNIP1/2X3       | 1/2X3 ALUMINUM NIPPLE            | 7                           | 25              |
| ALUNIP3/4X3       | 3/4X3 ALUMINUM NIPPLE            | 8                           | 25              |
| ALUNIP1X3         | 1X3 ALUMINUM NIPPLE              | 12                          | 25              |
| ALUNIP1-1/4X3     | 1-1/4X3 ALUMINUM NIPPLE          | 16                          | 25              |
| ALUNIP1-1/2X3     | 1-1/2X3 ALUMINUM NIPPLE          | 20                          | 25              |
| ALUNIP2X3         | 2X3 ALUMINUM NIPPLE              | 27                          | 25              |
| ALUNIP2-1/2X3     | 2-1/2X3 ALUMINUM NIPPLE          | 30                          | 12              |
| ALUNIP3X3         | 3X3 ALUMINUM NIPPLE              | 42                          | 12              |
| ALUNIP1/2X3-1/2   | 1/2X3-1/2 ALUMINUM NIPPLE        | 8                           | 25              |
| ALUNIP3/4X3-1/2   | 3/4X3-1/2 ALUMINUM NIPPLE        | 10                          | 25              |
| ALUNIP1X3-1/2     | 1X3-1/2 ALUMINUM NIPPLE          | 14                          | 25              |
| ALUNIP1-1/4X3-1/2 | 1-1/4X3-1/2 ALUMINUM NIPPLE      | 20                          | 25              |
| ALUNIP1-1/2X3-1/2 | 1-1/2X3-1/2 ALUMINUM NIPPLE      | 24                          | 25              |
| ALUNIP2X3-1/2     | 2X3-1/2 ALUMINUM NIPPLE          | 32                          | 25              |
| ALUNIP2-1/2X3-1/2 | 2-1/2X3-1/2 ALUMINUM NIPPLE      | 39                          | 12              |
| ALUNIP3X3-1/2     | 3X3-1/2 ALUMINUM NIPPLE          | 53                          | 12              |

## Aluminum Conduit Nipples

| Catalog Number | Description             | Weight Per 100 Pieces (lbs) | Standard Carton |
|----------------|-------------------------|-----------------------------|-----------------|
| ALUNIP1/2X4    | 1/2 X4 ALUMINUM NIPPLE  | 9                           | 25              |
| ALUNIP3/4X4    | 3/4X4 ALUMINUM NIPPLE   | 12                          | 25              |
| ALUNIP1X4      | 1X4 ALUMINUM NIPPLE     | 16                          | 25              |
| ALUNIP1-1/4X4  | 1-1/4X4 ALUMINUM NIPPLE | 23                          | 25              |
| ALUNIP1-1/2X4  | 1-1/2X4 ALUMINUM NIPPLE | 28                          | 25              |
| ALUNIP2X4      | 2X4 ALUMINUM NIPPLE     | 38                          | 25              |
| ALUNIP2-1/2X4  | 2-1/2X4 ALUMINUM NIPPLE | 47                          | 12              |
| ALUNIP3X4      | 3X4 ALUMINUM NIPPLE     | 64                          | 12              |
| ALUNIP3-1/2X4  | 3-1/2X4 ALUMINUM NIPPLE | 75                          | 12              |
| ALUNIP4X4      | 4X4 ALUMINUM NIPPLE     | 87                          | 12              |
| ALUNIP1/2X5    | 1/2X5 ALUMINUM NIPPLE   | 12                          | 25              |
| ALUNIP3/4X5    | 3/4X5 ALUMINUM NIPPLE   | 15                          | 25              |
| ALUNIP1X5      | 1X5 ALUMINUM NIPPLE     | 21                          | 25              |
| ALUNIP1-1/4X5  | 1-1/4X5 ALUMINUM NIPPLE | 29                          | 25              |
| ALUNIP1-1/2X5  | 1-1/2X5 ALUMINUM NIPPLE | 36                          | 25              |
| ALUNIP2X5      | 2X5 ALUMINUM NIPPLE     | 48                          | 25              |
| ALUNIP2-1/2X5  | 2-1/2X5 ALUMINUM NIPPLE | 64                          | 12              |
| ALUNIP3X5      | 3X5 ALUMINUM NIPPLE     | 86                          | 12              |
| ALUNIP3-1/2X5  | 3-1/2X5 ALUMINUM NIPPLE | 101                         | 12              |
| ALUNIP4X5      | 4X5 ALUMINUM NIPPLE     | 118                         | 12              |
| ALUNIP5X5      | 5X5 ALUMINUM NIPPLE     | 155                         | BLK             |
| ALUNIP6X5      | 6X5 ALUMINUM NIPPLE     | 208                         | BLK             |
| ALUNIP1/2X6    | 1/2X6 ALUMINUM NIPPLE   | 14                          | 25              |
| ALUNIP3/4X6    | 3/4X6 ALUMINUM NIPPLE   | 18                          | 25              |
| ALUNIP1X6      | 1X6 ALUMINUM NIPPLE     | 26                          | 25              |
| ALUNIP1-1/4X6  | 1-1/4X6 ALUMINUM NIPPLE | 36                          | 25              |
| ALUNIP1-1/2X6  | 1-1/2X6 ALUMINUM NIPPLE | 44                          | 25              |
| ALUNIP2X6      | 2X6 ALUMINUM NIPPLE     | 58                          | 25              |
| ALUNIP2-1/2X6  | 2-1/2X6 ALUMINUM NIPPLE | 80                          | 10              |
| ALUNIP3X6      | 3X6 ALUMINUM NIPPLE     | 108                         | 10              |
| ALUNIP3-1/2X6  | 3-1/2X6 ALUMINUM NIPPLE | 128                         | 5               |
| ALUNIP4X6      | 4X6 ALUMINUM NIPPLE     | 149                         | 5               |
| ALUNIP5X6      | 5X6 ALUMINUM NIPPLE     | 197                         | BLK             |
| ALUNIP6X6      | 6X6 ALUMINUM NIPPLE     | 263                         | BLK             |

## Aluminum Conduit Nipples

| Catalog Number | Description              | Weight Per 100 Pieces (lbs) | Standard Carton |
|----------------|--------------------------|-----------------------------|-----------------|
| ALUNIP1/2X8    | 1/2X8 ALUMINUM NIPPLE    | 19                          | 25              |
| ALUNIP3/4X8    | 3/4X8 ALUMINUM NIPPLE    | 25                          | 25              |
| ALUNIP1X8      | 1X8 ALUMINUM NIPPLE      | 36                          | 25              |
| ALUNIP1-1/4X8  | 1-1/4X8 ALUMINUM NIPPLE  | 49                          | 10              |
| ALUNIP1-1/2X8  | 1-1/2X8 ALUMINUM NIPPLE  | 59                          | 10              |
| ALUNIP2X8      | 2X8 ALUMINUM NIPPLE      | 78                          | 10              |
| ALUNIP2-1/2X8  | 2-1/2X8 ALUMINUM NIPPLE  | 114                         | 5               |
| ALUNIP3X8      | 3X8 ALUMINUM NIPPLE      | 152                         | 5               |
| ALUNIP3-1/2X8  | 3-1/2X8 ALUMINUM NIPPLE  | 180                         | 5               |
| ALUNIP4X8      | 4X8 ALUMINUM NIPPLE      | 212                         | 3               |
| ALUNIP5X8      | 5X8 ALUMINUM NIPPLE      | 281                         | BLK             |
| ALUNIP6X8      | 6X8 ALUMINUM NIPPLE      | 372                         | BLK             |
| ALUNIP1/2X10   | 1/2X10 ALUMINUM NIPPLE   | 24                          | 25              |
| ALUNIP3/4X10   | 3/4X10 ALUMINUM NIPPLE   | 31                          | 25              |
| ALUNIP1X10     | 1X10 ALUMINUM NIPPLE     | 45                          | 25              |
| ALUNIP1-1/4X10 | 1-1/4X10 ALUMINUM NIPPLE | 62                          | 10              |
| ALUNIP1-1/2X10 | 1-1/2X10 ALUMINUM NIPPLE | 74                          | 10              |
| ALUNIP2X10     | 2X10 ALUMINUM NIPPLE     | 100                         | 10              |
| ALUNIP2-1/2X10 | 2-1/2X10 ALUMINUM NIPPLE | 148                         | 5               |
| ALUNIP3X10     | 3X10 ALUMINUM NIPPLE     | 196                         | 5               |
| ALUNIP3-1/2X10 | 3-1/2X10 ALUMINUM NIPPLE | 234                         | 4               |
| ALUNIP4X10     | 4X10 ALUMINUM NIPPLE     | 274                         | 4               |
| ALUNIP5X10     | 5X10 ALUMINUM NIPPLE     | 366                         | BLK             |
| ALUNIP6X10     | 6X10 ALUMINUM NIPPLE     | 481                         | BLK             |
| ALUNIP1/2X12   | 1/2X12 ALUMINUM NIPPLE   | 29                          | 25              |
| ALUNIP3/4X12   | 3/4X12 ALUMINUM NIPPLE   | 38                          | 25              |
| ALUNIP1X12     | 1X12 ALUMINUM NIPPLE     | 55                          | 25              |
| ALUNIP1-1/4X12 | 1-1/4X12 ALUMINUM NIPPLE | 75                          | 10              |
| ALUNIP1-1/2X12 | 1-1/2X12 ALUMINUM NIPPLE | 90                          | 10              |
| ALUNIP2X12     | 2X12 ALUMINUM NIPPLE     | 120                         | 10              |
| ALUNIP2-1/2X12 | 2-1/2X12 ALUMINUM NIPPLE | 180                         | 5               |
| ALUNIP3X12     | 3X12 ALUMINUM NIPPLE     | 240                         | 5               |
| ALUNIP3-1/2X12 | 3-1/2X12 ALUMINUM NIPPLE | 286                         | 4               |
| ALUNIP4X12     | 4X12 ALUMINUM NIPPLE     | 336                         | 4               |
| ALUNIP5X12     | 5X12 ALUMINUM NIPPLE     | 450                         | BLK             |
| ALUNIP6X12     | 6X12 ALUMINUM NIPPLE     | 591                         | BLK             |

# Original Korns Clamps

For Conduit, Strut, and  
Cable Tray Support Systems



Parallel Conduit Support



Right Angle Conduit Support



Beam Clamp



Edge Type Conduit Support

## The Original Korns Clamp

Malleable iron—  
Hot dip galvanized—standard. Also available with various grades of stainless steel hardware. Contact Korns representative or factory for pricing.



### Right Angle Conduit Supports

| Catalog Number | Description             | Weight Per 100 Pieces (lbs) | Standard Carton |
|----------------|-------------------------|-----------------------------|-----------------|
| KNRA-3/8       | 3/8 RIGHT ANGLE CLAMP   | 25                          | 50              |
| KNRA-1/2       | 1/2 RIGHT ANGLE CLAMP   | 40                          | 50              |
| KNRA-3/4       | 3/4 RIGHT ANGLE CLAMP   | 43                          | 50              |
| KNRA-1         | 1 RIGHT ANGLE CLAMP     | 48                          | 25              |
| KNRA-1-1/4     | 1-1/4 RIGHT ANGLE CLAMP | 53                          | 25              |
| KNRA-1-1/2     | 1-1/2 RIGHT ANGLE CLAMP | 58                          | 25              |
| KNRA-2         | 2 RIGHT ANGLE CLAMP     | 85                          | 25              |
| KNRA-2-1/2     | 2-1/2 RIGHT ANGLE CLAMP | 106                         | 20              |
| KNRA-3         | 3 RIGHT ANGLE CLAMP     | 110                         | 15              |
| KNRA-3-1/2     | 3-1/2 RIGHT ANGLE CLAMP | 128                         | 15              |
| KNRA-4         | 4 RIGHT ANGLE CLAMP     | 140                         | 10              |
| KNRA-5         | 5 RIGHT ANGLE CLAMP     | 330                         | 5               |
| KNRA-6         | 6 RIGHT ANGLE CLAMP     | 375                         | 5               |



### Parallel Conduit Supports

| Catalog Number | Description          | Weight Per 100 Pieces (lbs) | Standard Carton |
|----------------|----------------------|-----------------------------|-----------------|
| KNPAR-3/8      | 3/8 PARALLEL CLAMP   | 32                          | 50              |
| KNPAR-1/2      | 1/2 PARALLEL CLAMP   | 58                          | 40              |
| KNPAR-3/4      | 3/4 PARALLEL CLAMP   | 64                          | 30              |
| KNPAR-1        | 1 PARALLEL CLAMP     | 70                          | 30              |
| KNPAR-1-1/4    | 1-1/4 PARALLEL CLAMP | 72                          | 25              |
| KNPAR-1-1/2    | 1-1/2 PARALLEL CLAMP | 93                          | 20              |
| KNPAR-2        | 2 PARALLEL CLAMP     | 100                         | 20              |
| KNPAR-2-1/2    | 2-1/2 PARALLEL CLAMP | 135                         | 15              |
| KNPAR-3        | 3 PARALLEL CLAMP     | 155                         | 10              |
| KNPAR-3-1/2    | 3-1/2 PARALLEL CLAMP | 190                         | 10              |
| KNPAR-4        | 4 PARALLEL CLAMP     | 205                         | 10              |



### Edge Type Conduit Supports

| Catalog Number | Description      | Weight Per 100 Pieces (lbs) | Standard Carton |
|----------------|------------------|-----------------------------|-----------------|
| KNET-1/2       | 1/2 EDGE CLAMP   | 67                          | 30              |
| KNET-3/4       | 3/4 EDGE CLAMP   | 71                          | 30              |
| KNET-1         | 1 EDGE CLAMP     | 85                          | 20              |
| KNET-1-1/4     | 1-1/4 EDGE CLAMP | 91                          | 20              |
| KNET-1-1/2     | 1-1/2 EDGE CLAMP | 115                         | 20              |
| KNET-2         | 2 EDGE CLAMP     | 135                         | 15              |
| KNET-2-1/2     | 2-1/2 EDGE CLAMP | 183                         | 10              |
| KNET-3         | 3 EDGE CLAMP     | 230                         | 5               |



## The Original Korns Clamp with Stainless Steel Hardware

Malleable iron—  
Hot dip galvanized with 316 stainless steel hardware.



### Right Angle Conduit Supports - Stainless Steel

| Catalog Number | Description                             | Weight Per 100 Pieces (lbs) | Standard Carton |
|----------------|---|-----------------------------|-----------------|
| KNRA-1/2-GS    | 1/2 STAINLESS STEEL RIGHT ANGLE CLAMP   | 40                          | 50              |
| KNRA-3/4-GS    | 3/4 STAINLESS STEEL RIGHT ANGLE CLAMP   | 43                          | 50              |
| KNRA-1-GS      | 1 STAINLESS STEEL RIGHT ANGLE CLAMP     | 48                          | 25              |
| KNRA-1-1/4-GS  | 1-1/4 STAINLESS STEEL RIGHT ANGLE CLAMP | 53                          | 25              |
| KNRA-1-1/2-GS  | 1-1/2 STAINLESS STEEL RIGHT ANGLE CLAMP | 58                          | 25              |
| KNRA-2-GS      | 2 STAINLESS STEEL RIGHT ANGLE CLAMP     | 85                          | 25              |
| KNRA-2-1/2-GS  | 2-1/2 STAINLESS STEEL RIGHT ANGLE CLAMP | 106                         | 20              |
| KNRA-3-GS      | 3 STAINLESS STEEL RIGHT ANGLE CLAMP     | 110                         | 15              |
| KNRA-3-1/2-GS  | 3-1/2 STAINLESS STEEL RIGHT ANGLE CLAMP | 128                         | 15              |
| KNRA-4-GS      | 4 STAINLESS STEEL RIGHT ANGLE CLAMP     | 140                         | 10              |
| KNRA-5-GS      | 5 STAINLESS STEEL RIGHT ANGLE CLAMP     | 330                         | 5               |
| KNRA-6-GS      | 6 STAINLESS STEEL RIGHT ANGLE CLAMP     | 375                         | 5               |



### Parallel Conduit Supports - Stainless Steel

| Catalog Number | Description                          | Weight Per 100 Pieces (lbs) | Standard Carton |
|----------------|--------------------------------------|-----------------------------|-----------------|
| KNPAR-1/2-GS   | 1/2 STAINLESS STEEL PARALLEL CLAMP   | 58                          | 40              |
| KNPAR-3/4-GS   | 3/4 STAINLESS STEEL PARALLEL CLAMP   | 64                          | 30              |
| KNPAR-1-GS     | 1 STAINLESS STEEL PARALLEL CLAMP     | 70                          | 30              |
| KNPAR-1-1/4-GS | 1-1/4 STAINLESS STEEL PARALLEL CLAMP | 72                          | 25              |
| KNPAR-1-1/2-GS | 1-1/2 STAINLESS STEEL PARALLEL CLAMP | 93                          | 20              |
| KNPAR-2-GS     | 2 STAINLESS STEEL PARALLEL CLAMP     | 100                         | 20              |
| KNPAR-2-1/2-GS | 2-1/2 STAINLESS STEEL PARALLEL CLAMP | 135                         | 15              |
| KNPAR-3-GS     | 3 STAINLESS STEEL PARALLEL CLAMP     | 155                         | 5               |
| KNPAR-3-1/2-GS | 3-1/2 STAINLESS STEEL PARALLEL CLAMP | 190                         | 10              |
| KNPAR-4-GS     | 4 STAINLESS STEEL PARALLEL CLAMP     | 205                         | 10              |



### Edge Type Conduit Supports - Stainless Steel

| Catalog Number | Description                      | Weight Per 100 Pieces (lbs) | Standard Carton |
|----------------|----------------------------------|-----------------------------|-----------------|
| KNET-1/2-GS    | 1/2 STAINLESS STEEL EDGE CLAMP   | 67                          | 30              |
| KNET-3/4-GS    | 3/4 STAINLESS STEEL EDGE CLAMP   | 71                          | 30              |
| KNET-1-GS      | 1 STAINLESS STEEL EDGE CLAMP     | 85                          | 20              |
| KNET-1-1/4-GS  | 1-1/4 STAINLESS STEEL EDGE CLAMP | 91                          | 20              |
| KNET-1-1/2-GS  | 1-1/2 STAINLESS STEEL EDGE CLAMP | 115                         | 20              |
| KNET-2-GS      | 2 STAINLESS STEEL EDGE CLAMP     | 135                         | 15              |
| KNET-2-1/2-GS  | 2-1/2 STAINLESS STEEL EDGE CLAMP | 183                         | 25              |
| KNET-3-GS      | 3 STAINLESS STEEL EDGE CLAMP     | 230                         | 5               |



### Hot Dip Galvanized U-Bolts

| Catalog Number | Description | Weight Per 100 Pieces (lbs) | Standard Carton |
|----------------|-------------|-----------------------------|-----------------|
| KNUB-3/8       | 3/8 UBOLT   | 6                           | 100             |
| KNUB-1/2       | 1/2 UBOLT   | 13                          | 100             |
| KNUB-3/4       | 3/4 UBOLT   | 14                          | 100             |
| KNUB-1         | 1 UBOLT     | 15                          | 100             |
| KNUB-1-1/4     | 1-1/4 UBOLT | 16                          | 100             |
| KNUB-1-1/2     | 1-1/2 UBOLT | 18                          | 100             |
| KNUB-2         | 2 UBOLT     | 30                          | 100             |
| KNUB-2-1/2     | 2-1/2 UBOLT | 34                          | 100             |
| KNUB-3         | 3 UBOLT     | 38                          | 50              |
| KNUB-3-1/2     | 3-1/2 UBOLT | 40                          | 25              |
| KNUB-4         | 4 UBOLT     | 45                          | 25              |
| KNUB-5         | 5 UBOLT     | 95                          | 25              |
| KNUB-6         | 6 UBOLT     | 108                         | 25              |

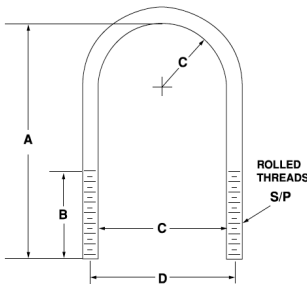
One nut each leg—  
Hot dip galvanized— standard.



### Stainless Steel U-Bolts

| Catalog Number | Description                 | Weight Per 100 Pieces (lbs) | Standard Carton |
|----------------|-----------------------------|-----------------------------|-----------------|
| KNUB-3/8-SS    | 3/8 STAINLESS STEEL UBOLT   | 6                           | 100             |
| KNUB-1/2-SS    | 1/2 STAINLESS STEEL UBOLT   | 13                          | 100             |
| KNUB-3/4-SS    | 3/4 STAINLESS STEEL UBOLT   | 14                          | 100             |
| KNUB-1-SS      | 1 STAINLESS STEEL UBOLT     | 15                          | 100             |
| KNUB-1-1/4-SS  | 1 1/4 STAINLESS STEEL UBOLT | 16                          | 100             |
| KNUB-1-1/2-SS  | 1 1/2 STAINLESS STEEL UBOLT | 18                          | 100             |
| KNUB-2-SS      | 2 STAINLESS STEEL UBOLT     | 30                          | 100             |
| KNUB-2-1/2-SS  | 2 1/2 STAINLESS STEEL UBOLT | 34                          | 100             |
| KNUB-3-SS      | 3 STAINLESS STEEL UBOLT     | 38                          | 50              |
| KNUB-3-1/2-SS  | 3 1/2 STAINLESS STEEL UBOLT | 40                          | 25              |
| KNUB-4-SS      | 4 STAINLESS STEEL UBOLT     | 45                          | 25              |
| KNUB-5-SS      | 5 STAINLESS STEEL UBOLT     | 95                          | 25              |
| KNUB-6-SS      | 6 STAINLESS STEEL UBOLT     | 108                         | 25              |

One stainless steel nut each leg.  
**Stainless Steel U-Bolts are non-cancelable and non-returnable.**



| Size   | A    | B    | C    | D    | S/P*      | R     |
|--------|------|------|------|------|-----------|-------|
| 3/8"   | N/A  | N/A  | N/A  | N/A  | 1/4 - 20  | N/A   |
| 1/2"   | 2.41 | 1.50 | .85  | 1.16 | 5/16 - 18 | .443  |
| 3/4"   | 2.73 | 1.50 | 1.11 | 1.42 | 5/16 - 18 | .573  |
| 1"     | 3.04 | 1.50 | 1.41 | 1.72 | 5/16 - 18 | .723  |
| 1-1/4" | 3.16 | 1.50 | 1.75 | 2.06 | 5/16 - 18 | .893  |
| 1-1/2" | 3.48 | 1.50 | 2.03 | 2.34 | 5/16 - 18 | 1.033 |
| 2"     | 4.30 | 1.75 | 2.50 | 2.88 | 3/8 - 16  | 1.275 |
| 2-1/2" | 4.80 | 1.75 | 3.03 | 3.40 | 3/8 - 16  | 1.535 |
| 3"     | 5.36 | 1.75 | 3.67 | 4.04 | 3/8 - 16  | 1.855 |
| 3-1/2" | 5.80 | 1.75 | 4.15 | 4.52 | 3/8 - 16  | 2.095 |
| 4"     | 6.50 | 1.75 | 4.53 | 4.90 | 3/8 - 16  | 2.285 |
| 5"     | 7.88 | 2.50 | 5.75 | 6.25 | 1/2 - 13  | 2.902 |
| 6"     | 8.88 | 2.50 | 6.81 | 7.31 | 1/2 - 13  | 3.432 |

\*Thread size and pitch.

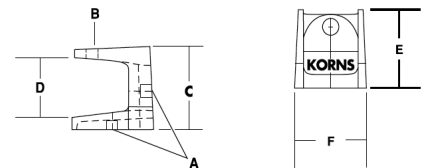


### Beam Clamps

| Catalog Number | Description    | Weight Per 100 Pieces (lbs) | Standard Carton |
|----------------|----------------|-----------------------------|-----------------|
| KNKBC-101      | 101 BEAM CLAMP | 25                          | 25              |
| KNKBC-102      | 102 BEAM CLAMP | 50                          | 25              |
| KNKBC-103      | 103 BEAM CLAMP | 95                          | 10              |
| KNKBC-104      | 104 BEAM CLAMP | 195                         | 10              |

Malleable iron with steel set screw—  
Hot Dip Galvanized— Standard.

| Trade Dimensions (Inches) |         |         |       |       |       |       |
|---------------------------|---------|---------|-------|-------|-------|-------|
| Size                      | A       | B       | C     | D     | E     | F     |
| 1                         | 1/4–20  | 5/16–18 | 1-1/2 | 1     | 1-1/4 | 1     |
| 1-1/2                     | 5/16–18 | 3/8–16  | 1-3/4 | 1     | 1-5/8 | 1-1/2 |
| 2                         | 3/8–16  | 1/2–13  | 2-1/8 | 1-3/8 | 2     | 2     |
| 2-1/2                     | 1/2–13  | 1/2–13  | 2-1/4 | 1-3/8 | 2-1/2 | 2-3/4 |



### One-Hole Straps

| Catalog Number | Description          | Weight Per 100 Pieces (lbs) | Standard Carton |
|----------------|----------------------|-----------------------------|-----------------|
| KNOHK-1/2      | 1/2 ONE HOLE STRAP   | 6                           | 50              |
| KNOHK-3/4      | 3/4 ONE HOLE STRAP   | 9                           | 50              |
| KNOHK-1        | 1 ONE HOLE STRAP     | 12                          | 50              |
| KNOHK-1-1/4    | 1-1/4 ONE HOLE STRAP | 20                          | 25              |
| KNOHK-1-1/2    | 1-1/2 ONE HOLE STRAP | 28                          | 25              |
| KNOHK-2        | 2 ONE HOLE STRAP     | 63                          | 25              |
| KNOHK-2-1/2    | 2-1/2 ONE HOLE STRAP | 104                         | 25              |
| KNOHK-3        | 3 ONE HOLE STRAP     | 126                         | 25              |
| KNOHK-3-1/2    | 3-1/2 ONE HOLE STRAP | 156                         | 10              |
| KNOHK-4        | 4 ONE HOLE STRAP     | 231                         | 10              |

Malleable iron—Rigid/IMC  
Hot dip galvanized—standard.



### Clampback Spacers

| Catalog Number | Description            | Weight Per 100 Pieces (lbs) | Standard Carton |
|----------------|------------------------|-----------------------------|-----------------|
| KNCSK-1/2      | 1/2 CLAMPBACK SPACER   | 8                           | 50              |
| KNCSK-3/4      | 3/4 CLAMPBACK SPACER   | 9                           | 50              |
| KNCSK-1        | 1 CLAMPBACK SPACER     | 15                          | 50              |
| KNCSK-1-1/4    | 1 1/4 CLAMPBACK SPACER | 16                          | 25              |
| KNCSK-1-1/2    | 1 1/2 CLAMPBACK SPACER | 22                          | 25              |
| KNCSK-2        | 2 CLAMPBACK SPACER     | 43                          | 25              |
| KNCSK-2-1/2    | 2 1/2 CLAMPBACK SPACER | 51                          | 25              |
| KNCSK-3        | 3 CLAMPBACK SPACER     | 71                          | 25              |
| KNCSK-3-1/2    | 3 1/2 CLAMPBACK SPACER | 101                         | 10              |
| KNCSK-4        | 4 CLAMPBACK SPACER     | 124                         | 10              |

Malleable iron—Rigid/IMC  
Hot dip galvanized—standard.

## Appendix

### Article 310 – Conductors for General Wiring

Table 310.16 Allowable ampacities of insulated conductors rated 0 through 2000 volts, 60°C through 90°C (140°F through 194°F), not more than three current-carrying conductors in raceway, cable, or earth (directly buried), based on ambient temperature of 30°C (86°F)

| Temperature Rating of Conductors |   |                |  |                                       |                |   |                   |
|----------------------------------|---|----------------|--|---------------------------------------|----------------|---|-------------------|
|                                  | 60°C - (140°F)                            | 75°C - (167°F) | 90°C - (194°F)   | 60°C - (140°F)                        | 75°C - (167°F) | 90°C - (194°F)  |                   |
|                                  | Types RHW, THHW, THW, THWN, XHHW, USE, ZW |                | Types TBS, SA, SIS, FEP, FEPB, MI, RHH, RHW-2, THHN, THHW, THW-2, THWN-2, USE-2, XHH, XHHW, XHHW-2, ZW-2 | Types RHW, THHW, THW, THWN, XHHW, USE |                | Types TBS, SA, SIS, THHN, THHW, THW-2, RHH, RHW-2, USE-2, XHH, XHHW, XHHW-2, ZW-2 |                   |
| Size AWG or kcmil                | Copper                                    |                |  | Aluminum or Copper-Clad Aluminum      |                |   | Size AWG or kcmil |
| 18                               |   |                | 14   |                                       |                |   |                   |
| 16                               |   |                | 18   |                                       |                |   |                   |
| 14*                              | 20  | 20             | 25   |                                       |                |   |                   |
| 12*                              | 25  | 25             | 30   | 20                                    | 20             | 25  | 12*               |
| 10*                              | 30  | 35             | 40   | 25                                    | 30             | 35  | 10*               |
| 8                                | 40  | 50             | 55   | 30                                    | 40             | 45  | 8                 |
| 6                                | 55  | 65             | 75   | 40                                    | 50             | 60  | 6                 |
| 4                                | 70  | 85             | 95   | 55                                    | 65             | 75  | 4                 |
| 3                                | 85  | 100            | 110  | 65                                    | 75             | 85  | 3                 |
| 2                                | 95  | 115            | 130  | 75                                    | 90             | 100   | 2                 |
| 1                                | 110                                       | 130            | 150  | 85                                    | 100            | 115   | 1                 |
| 1/0                              | 125                                       | 150            | 170  | 100                                   | 120            | 135   | 1/0               |
| 2/0                              | 145                                       | 175            | 195  | 115                                   | 135            | 150   | 2/0               |
| 3/0                              | 165                                       | 200            | 225  | 130                                   | 155            | 175   | 3/0               |
| 4/0                              | 195                                       | 230            | 260  | 150                                   | 180            | 205   | 4/0               |
| 250                              | 215                                       | 255            | 290  | 170                                   | 205            | 230   | 250               |
| 300                              | 240                                       | 285            | 320  | 190                                   | 230            | 255   | 300               |
| 350                              | 260                                       | 310            | 350  | 210                                   | 250            | 280   | 350               |
| 400                              | 280                                       | 335            | 380  | 225                                   | 270            | 305   | 400               |
| 500                              | 320                                       | 380            | 430  | 260                                   | 310            | 350   | 500               |
| 600                              | 355                                       | 420            | 475  | 285                                   | 340            | 385   | 600               |
| 700                              | 385                                       | 460            | 520  | 310                                   | 375            | 420   | 700               |
| 750                              | 400                                       | 475            | 535  | 320                                   | 385            | 435   | 750               |
| 800                              | 410                                       | 490            | 555  | 330                                   | 395            | 450   | 800               |
| 900                              | 435                                       | 520            | 585  | 355                                   | 425            | 480   | 900               |
| 1000                             | 455                                       | 545            | 615  | 375                                   | 445            | 500   | 1000              |
| 1250                             | 495                                       | 590            | 665  | 405                                   | 485            | 545   | 1250              |
| 1500                             | 520                                       | 625            | 705  | 435                                   | 520            | 585   | 1500              |
| 1750                             | 545                                       | 650            | 735  | 455                                   | 545            | 615   | 1750              |
| 2000                             | 560                                       | 665            | 750  | 470                                   | 560            | 630   | 2000              |

### Correction Factors

| Ambient Temp. (°C) | For ambient temperatures other than 30°C (86°F), multiply the allowable ampacities shown above by the appropriate factor shown below. |      |      |      |      |      | Ambient Temp. (°F) |
|--------------------|---|------|------|------|------|------|--------------------|
| 21 - 25            | 1.08  | 1.05 | 1.04 | 1.08 | 1.05 | 1.04 | 70 - 77            |
| 26 - 30            | 1.00  | 1.00 | 1.00 | 1.00 | 1.00 | 1.00 | 78 - 86            |
| 31 - 35            | 0.91  | 0.94 | 0.96 | 0.91 | 0.94 | 0.96 | 87 - 95            |
| 36 - 40            | 0.82  | 0.88 | 0.91 | 0.82 | 0.88 | 0.91 | 96 - 104           |
| 41 - 45            | 0.71  | 0.82 | 0.87 | 0.71 | 0.82 | 0.87 | 105 - 113          |
| 46 - 50            | 0.58  | 0.75 | 0.82 | 0.58 | 0.75 | 0.82 | 114 - 122          |
| 51 - 55            | 0.41  | 0.67 | 0.76 | 0.41 | 0.67 | 0.76 | 123 - 131          |
| 56 - 60            |   | 0.58 | 0.71 |      | 0.58 | 0.71 | 132 - 140          |
| 61 - 70            |   | 0.33 | 0.58 |      | 0.33 | 0.58 | 141 - 158          |
| 71 - 80            |   |      | 0.41 |      |      | 0.41 | 159 - 176          |

## Appendix

**Table C8 – Maximum Number of Conductors or Fixture Wires in Rigid Metal Conduit (RMC) (Based on Table 1, Chapter 9)**

| Type                     | Size (AWG)   | 16                             | 21  | 27 | 35   | 41  | 53 | 63  | 78  | 91  | 103 | 129 | 155 |
|--------------------------|--------------|--------------------------------|-----|----|------|-----|----|-----|-----|-----|-----|-----|-----|
|                          | Size (kcmil) | .5                             | .75 | 1  | 1.25 | 1.5 | 2  | 2.5 | 3   | 3.5 | 4   | 5   | 6   |
|                          | Con-ductor   | Metric Designator (Trade Size) |     |    |      |     |    |     |     |     |     |     |     |
| RHH,<br>RHW,<br>RHW-2    | 14           | 4                              | 7   | 12 | 21   | 28  | 46 | 66  | 102 | 136 | 176 | 276 | 398 |
|                          | 12           | 3                              | 6   | 10 | 17   | 23  | 38 | 55  | 85  | 113 | 146 | 229 | 330 |
|                          | 10           | 3                              | 5   | 8  | 14   | 19  | 31 | 44  | 68  | 91  | 118 | 185 | 267 |
|                          | 8            | 1                              | 2   | 4  | 7    | 10  | 16 | 23  | 36  | 48  | 61  | 97  | 139 |
|                          | 6            | 1                              | 1   | 3  | 6    | 8   | 13 | 18  | 29  | 38  | 49  | 77  | 112 |
|                          | 4            | 1                              | 1   | 2  | 4    | 6   | 10 | 14  | 22  | 30  | 38  | 60  | 87  |
|                          | 3            | 1                              | 1   | 2  | 4    | 5   | 9  | 12  | 19  | 26  | 34  | 53  | 76  |
|                          | 2            | 1                              | 1   | 1  | 3    | 4   | 7  | 11  | 17  | 23  | 29  | 46  | 66  |
|                          | 1            | 0                              | 1   | 1  | 1    | 3   | 5  | 7   | 11  | 15  | 19  | 30  | 44  |
|                          | 1/0          | 0                              | 1   | 1  | 1    | 2   | 4  | 6   | 10  | 13  | 17  | 26  | 38  |
|                          | 2/0          | 0                              | 1   | 1  | 1    | 2   | 4  | 5   | 8   | 11  | 14  | 23  | 33  |
|                          | 3/0          | 0                              | 0   | 1  | 1    | 1   | 3  | 4   | 7   | 10  | 12  | 20  | 28  |
|                          | 4/0          | 0                              | 0   | 1  | 1    | 1   | 3  | 4   | 6   | 8   | 11  | 17  | 24  |
|                          | 250          | 0                              | 0   | 0  | 1    | 1   | 1  | 3   | 4   | 6   | 8   | 13  | 18  |
|                          | 300          | 0                              | 0   | 0  | 1    | 1   | 1  | 2   | 4   | 5   | 7   | 11  | 16  |
|                          | 350          | 0                              | 0   | 0  | 1    | 1   | 1  | 2   | 4   | 5   | 6   | 10  | 15  |
|                          | 400          | 0                              | 0   | 0  | 1    | 1   | 1  | 1   | 3   | 4   | 6   | 9   | 13  |
| 500                      | 0            | 0                              | 0   | 1  | 1    | 1   | 1  | 3   | 4   | 5   | 8   | 11  |     |
| 600                      | 0            | 0                              | 0   | 0  | 1    | 1   | 1  | 2   | 3   | 4   | 6   | 9   |     |
| 700                      | 0            | 0                              | 0   | 0  | 1    | 1   | 1  | 1   | 3   | 4   | 6   | 8   |     |
| 750                      | 0            | 0                              | 0   | 0  | 0    | 1   | 1  | 1   | 3   | 3   | 5   | 8   |     |
| 800                      | 0            | 0                              | 0   | 0  | 0    | 1   | 1  | 1   | 2   | 3   | 5   | 7   |     |
| 900                      | 0            | 0                              | 0   | 0  | 0    | 1   | 1  | 1   | 2   | 3   | 5   | 7   |     |
| 1000                     | 0            | 0                              | 0   | 0  | 0    | 1   | 1  | 1   | 1   | 3   | 4   | 6   |     |
| TW,                      | 14           | 9                              | 15  | 25 | 44   | 59  | 98 | 140 | 216 | 288 | 370 | 581 | 839 |
| THHW,                    | 12           | 7                              | 12  | 19 | 33   | 45  | 75 | 107 | 165 | 221 | 284 | 446 | 644 |
| THW,                     | 10           | 5                              | 9   | 14 | 25   | 34  | 56 | 80  | 123 | 164 | 212 | 332 | 480 |
| THW-2                    | 8            | 3                              | 5   | 8  | 14   | 19  | 31 | 44  | 68  | 91  | 118 | 185 | 267 |
| RHH*,<br>RHW*,<br>RHW-2* | 14           | 6                              | 10  | 17 | 29   | 39  | 65 | 93  | 143 | 191 | 246 | 387 | 558 |
| RHH*,<br>RHW*,<br>RHW-2* | 12           | 5                              | 8   | 13 | 23   | 32  | 52 | 75  | 115 | 154 | 198 | 311 | 448 |
| RHH*,<br>RHW*,<br>RHW-2* | 10           | 3                              | 6   | 10 | 18   | 25  | 41 | 58  | 90  | 120 | 154 | 242 | 350 |
| RHH*,<br>RHW*,<br>RHW-2* | 8            | 1                              | 4   | 6  | 11   | 15  | 24 | 35  | 54  | 72  | 92  | 145 | 209 |

| Type   | Size (AWG)   | 16                             | 21  | 27 | 35   | 41  | 53  | 63  | 78  | 91  | 103 | 129 | 155  |
|--|--------------|--------------------------------|-----|----|------|-----|-----|-----|-----|-----|-----|-----|------|
|  | Size (kcmil) | .5                             | .75 | 1  | 1.25 | 1.5 | 2   | 2.5 | 3   | 3.5 | 4   | 5   | 6    |
|  | Con-ductor   | Metric Designator (Trade Size) |     |    |      |     |     |     |     |     |     |     |      |
| RHH*,<br>RHW*,<br>RHW-2*,<br>TW,<br>THW,<br>THHW,<br>THW-2 | 6            | 1                              | 3   | 5  | 8    | 11  | 18  | 27  | 41  | 55  | 71  | 111 | 160  |
|  | 4            | 1                              | 1   | 3  | 6    | 8   | 14  | 20  | 31  | 41  | 53  | 83  | 120  |
|  | 3            | 1                              | 1   | 3  | 5    | 7   | 12  | 17  | 26  | 35  | 45  | 71  | 103  |
|  | 2            | 1                              | 1   | 2  | 4    | 6   | 10  | 14  | 22  | 30  | 38  | 60  | 87   |
|  | 1            | 1                              | 1   | 1  | 3    | 4   | 7   | 10  | 15  | 21  | 27  | 42  | 61   |
|  | 1/0          | 0                              | 1   | 1  | 2    | 3   | 6   | 8   | 13  | 18  | 23  | 36  | 52   |
|  | 2/0          | 0                              | 1   | 1  | 2    | 3   | 5   | 7   | 11  | 15  | 19  | 31  | 44   |
|  | 3/0          | 0                              | 1   | 1  | 1    | 2   | 4   | 6   | 9   | 13  | 16  | 26  | 37   |
|  | 4/0          | 0                              | 0   | 1  | 1    | 1   | 3   | 5   | 8   | 10  | 14  | 21  | 31   |
|  | 250          | 0                              | 0   | 1  | 1    | 1   | 3   | 4   | 6   | 8   | 11  | 17  | 25   |
|  | 300          | 0                              | 0   | 1  | 1    | 1   | 2   | 3   | 5   | 7   | 9   | 15  | 22   |
|  | 350          | 0                              | 0   | 0  | 1    | 1   | 1   | 3   | 5   | 6   | 8   | 13  | 19   |
|  | 400          | 0                              | 0   | 0  | 1    | 1   | 1   | 3   | 4   | 6   | 7   | 12  | 17   |
|  | 500          | 0                              | 0   | 0  | 1    | 1   | 1   | 2   | 3   | 5   | 6   | 10  | 14   |
|  | 600          | 0                              | 0   | 0  | 1    | 1   | 1   | 1   | 3   | 4   | 5   | 8   | 12   |
|  | 700          | 0                              | 0   | 0  | 0    | 1   | 1   | 1   | 2   | 3   | 4   | 7   | 10   |
|  | 750          | 0                              | 0   | 0  | 0    | 1   | 1   | 1   | 2   | 3   | 4   | 7   | 10   |
| 800  | 0            | 0                              | 0   | 0  | 1    | 1   | 1   | 2   | 3   | 4   | 6   | 9   |      |
| 900  | 0            | 0                              | 0   | 0  | 1    | 1   | 1   | 1   | 3   | 4   | 6   | 8   |      |
| 1000   | 0            | 0                              | 0   | 0  | 0    | 1   | 1   | 1   | 2   | 3   | 5   | 8   |      |
| THHN,<br>THWN,<br>THWN-2                                   | 14           | 13                             | 22  | 36 | 63   | 85  | 140 | 200 | 309 | 412 | 531 | 833 | 1202 |
|  | 12           | 9                              | 16  | 26 | 46   | 62  | 102 | 146 | 225 | 301 | 387 | 608 | 877  |
|  | 10           | 6                              | 10  | 17 | 29   | 39  | 64  | 92  | 142 | 189 | 244 | 383 | 552  |
|  | 8            | 3                              | 6   | 9  | 16   | 22  | 37  | 53  | 82  | 109 | 140 | 221 | 318  |
|  | 6            | 2                              | 4   | 7  | 12   | 16  | 27  | 38  | 59  | 79  | 101 | 159 | 230  |
|  | 4            | 1                              | 2   | 4  | 7    | 10  | 16  | 23  | 36  | 48  | 62  | 98  | 141  |
|  | 3            | 1                              | 1   | 3  | 6    | 8   | 14  | 20  | 31  | 41  | 53  | 83  | 120  |
|  | 2            | 1                              | 1   | 3  | 5    | 7   | 11  | 17  | 26  | 34  | 44  | 70  | 100  |
|  | 1            | 1                              | 1   | 1  | 4    | 5   | 8   | 12  | 19  | 25  | 33  | 51  | 74   |
|  | 1/0          | 1                              | 1   | 1  | 3    | 4   | 7   | 10  | 16  | 21  | 27  | 43  | 63   |
|  | 2/0          | 0                              | 1   | 1  | 2    | 3   | 6   | 8   | 13  | 18  | 23  | 36  | 52   |
|  | 3/0          | 0                              | 1   | 1  | 1    | 3   | 5   | 7   | 11  | 15  | 19  | 30  | 43   |
|  | 4/0          | 0                              | 1   | 1  | 1    | 2   | 4   | 6   | 9   | 12  | 16  | 25  | 36   |
|  | 250          | 0                              | 0   | 1  | 1    | 1   | 3   | 5   | 7   | 10  | 13  | 20  | 29   |
|  | 300          | 0                              | 0   | 1  | 1    | 1   | 3   | 4   | 6   | 8   | 11  | 17  | 25   |
|  | 350          | 0                              | 0   | 1  | 1    | 1   | 2   | 3   | 5   | 7   | 10  | 15  | 22   |
|  | 400          | 0                              | 0   | 1  | 1    | 1   | 2   | 3   | 5   | 7   | 8   | 13  | 20   |
| 500  | 0            | 0                              | 0   | 1  | 1    | 1   | 2   | 4   | 5   | 7   | 11  | 16  |      |
| 600  | 0            | 0                              | 0   | 1  | 1    | 1   | 1   | 3   | 4   | 6   | 9   | 13  |      |
| 700  | 0            | 0                              | 0   | 1  | 1    | 1   | 1   | 3   | 4   | 5   | 8   | 11  |      |
| 750  | 0            | 0                              | 0   | 0  | 1    | 1   | 1   | 3   | 4   | 5   | 7   | 11  |      |
| 800  | 0            | 0                              | 0   | 0  | 1    | 1   | 1   | 2   | 3   | 4   | 7   | 10  |      |
| 900  | 0            | 0                              | 0   | 0  | 1    | 1   | 1   | 2   | 3   | 4   | 6   | 9   |      |
| 1000   | 0            | 0                              | 0   | 0  | 1    | 1   | 1   | 1   | 3   | 4   | 6   | 8   |      |

Reprinted with permission from NFPA 70-1999, National Electrical Code®, Copyright © 1998, National Fire Protection Association, Quincy, MA 02269. This reprinted material is not the complete and official position of the NFPA on the referenced subject, which is represented only by the standard in its entirety. National Electrical Code and NEC are registered trademarks of the National Fire Protection Association, Quincy, MA.

**Note:** This table is for concentric stranded conductors only. For compact stranded conductors, Table C8(A) should be used. \*Types RHH, RHW, and RHW-2 without outer covering.

**Robroy Conduit Pipe Fittings are manufactured in accordance with the provisions of the following specifications:**

**Galvanized Rigid Metal Conduit**

Underwriters' Laboratories, Inc. Standard UL-6  
American National Standards Institute, Inc. ANSI C80.1

**Electrical Metallic Tubing**

Underwriters' Laboratories, Inc. Standard UL-797  
American National Standards Institute, Inc. ANSI C80.3

**Aluminum Rigid Conduit**

Underwriters' Laboratories, Inc. Standard UL-6  
American National Standards Institute, Inc. ANSI C80.5

**NEMA – NEMRA – NMG Group–NAED Associates**

CSA APPROVED

• C 22.2 NO 45 • C22.2 NO 83



**ECN / KORNS**  
RACEWAY DIVISION

3159 Wilkes Power Plant Road  
Avinger, Texas 75630  
**Telephone:** 903-562-1342  
**Fax:** 903-562-1711