

# Conventional and Addressable Accessories

## Hazardous Location Signals

### 105 Series

Edwards 105 Series Xenon strobe beacons are heavy-duty visual signals suitable for use in indoor and outdoor applications where a corrosion resistant Type 4X enclosure is required. Base material is gray, manufactured from glass-reinforced thermoplastic polyester resin and features brass hardware. The double fresnel lens is made of shatter-resistant polycarbonate. The 105DHISTC-FJ high intensity strobe is designed for use in compatible fire alarm system and other applications requiring electrical supervision of signaling circuit field wiring.

#### Features and Specifications

- Xenon strobe light source
- Shatter-resistant double fresnel polycarbonate lens
- Gray base with brass hardware
- Flash rate 65 fpm
- Suitable for indoor, outdoor and marine applications
- For outdoor applications, lens should face up
- Option for panel, conduit or wall mounting
- NEMA Type 4X enclosure
- Class I, Div 2, Groups A, B, C and D; Class II, Div 2, Groups F and G; Class III



#### Ordering Information

Description	Cat. No.	Operating Voltage	Current	Lens Colors	Peak Candlepower	Lamp Ratings <sup>1</sup>	Replacement Lamp
Fire Alarm (UL 1971) 8 Joule Strobe	<b>105DHISTC-FJ</b>	20-30V DC	1.08 - 0.83 A	Clear	26 cd wall (dome out) 24 cd wall (dome down) 26 cd ceiling	3,000 hours	92-ST

<sup>1</sup>Strobe tube life at operating power to 75% efficiency.

#### Accessories<sup>2</sup>

Description	Cat. No.
Wall Mount Bracket	<b>105BM<sup>3</sup></b>
Outlet Box Attachment	<b>105BX</b>
Pipe Mount Attachment	<b>105PM</b>



Wall Mount Bracket



Outlet Box Attachment



Pipe Mount Attachment

<sup>2</sup>Mounting accessories must be ordered separately.

<sup>3</sup>Must be used with 105BX.

#### Hazardous Location Ratings

105DHISTC-FJ	Class	Division	Group	Operating Temperature
	II	2	F, G	TB3 (165°C, 329°F)



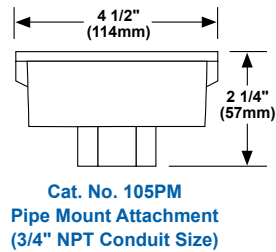
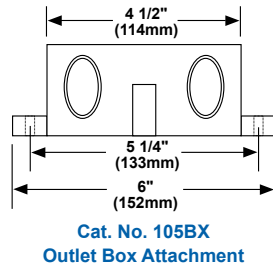
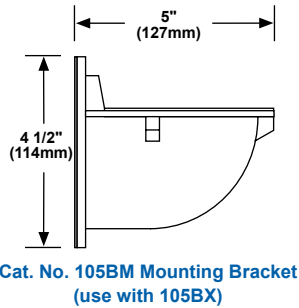
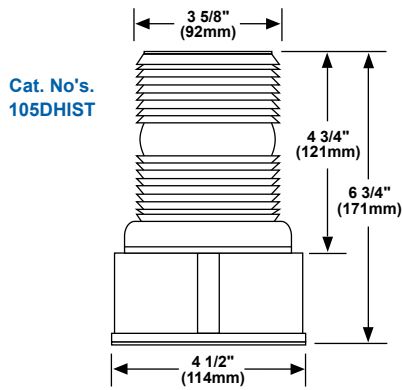
# Conventional and Addressable Accessories

## Hazardous Location Signals

### 105 Series

#### Weights and Dimensions

Cat. No.	Approx. Shipping Weight (lb.)
105DHISTC-FJ	1.63
105BM	1.00
105BX	1.00
105PM	1.00



# Conventional and Addressable Accessories

## Hazardous Location Signals

### 105 Series

Edwards 105 Series Xenon strobe beacons are heavy-duty visual signals suitable for use in indoor and outdoor applications where a corrosion resistant Type 4X enclosure is required. Base material is gray, manufactured from glass-reinforced thermoplastic polyester resin and features brass hardware. The double fresnel lens is made of shatter-resistant polycarbonate. The 105DHISTC-FJ high intensity strobe is designed for use in compatible fire alarm system and other applications requiring electrical supervision of signaling circuit field wiring.

#### Features and Specifications

- Xenon strobe light source
- Shatter-resistant double fresnel polycarbonate lens
- Gray base with brass hardware
- Flash rate 65 fpm
- Suitable for indoor, outdoor and marine applications
- For outdoor applications, lens should face up
- Option for panel, conduit or wall mounting
- NEMA Type 4X enclosure
- Class I, Div 2, Groups A, B, C and D; Class II, Div 2, Groups F and G; Class III



#### Ordering Information

Description	Cat. No.	Operating Voltage	Current	Lens Colors	Peak Candlepower	Lamp Ratings <sup>1</sup>	Replacement Lamp
Fire Alarm (UL 1971) 8 Joule Strobe	<b>105DHISTC-FJ</b>	20-30V DC	1.08 - 0.83 A	Clear	26 cd wall (dome out) 24 cd wall (dome down) 26 cd ceiling	3,000 hours	92-ST

<sup>1</sup>Strobe tube life at operating power to 75% efficiency.

#### Accessories<sup>2</sup>

Description	Cat. No.
Wall Mount Bracket	<b>105BM<sup>3</sup></b>
Outlet Box Attachment	<b>105BX</b>
Pipe Mount Attachment	<b>105PM</b>



Wall Mount Bracket



Outlet Box Attachment



Pipe Mount Attachment

<sup>2</sup>Mounting accessories must be ordered separately.

<sup>3</sup>Must be used with 105BX.

#### Hazardous Location Ratings

	Class	Division	Group	Operating Temperature
105DHISTC-FJ	II	2	F, G	TB3 (165°C, 329°F)



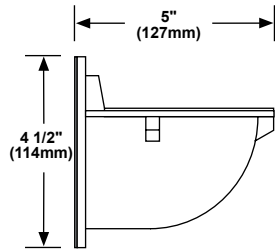
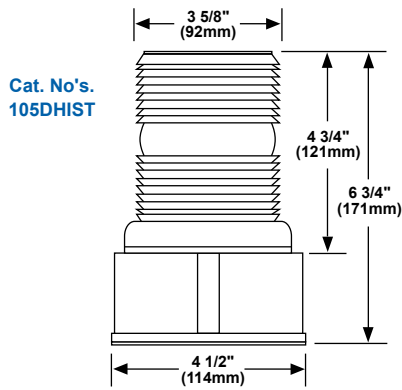
# Conventional and Addressable Accessories

## Hazardous Location Signals

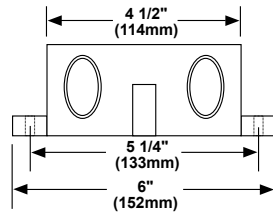
### 105 Series

#### Weights and Dimensions

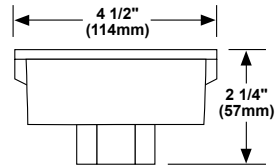
Cat. No.	Approx. Shipping Weight (lb.)
105DHISTC-FJ	1.63
105BM	1.00
105BX	1.00
105PM	1.00



Cat. No. 105BM Mounting Bracket  
(use with 105BX)



Cat. No. 105BX  
Outlet Box Attachment



Cat. No. 105PM  
Pipe Mount Attachment  
(3/4" NPT Conduit Size)

12  
FIRE ALARMS