



Catalog Number: 10106-SC1-NK
Item Description: N1 SCREW COVER ENCL NK
UPC Code: 784572100312

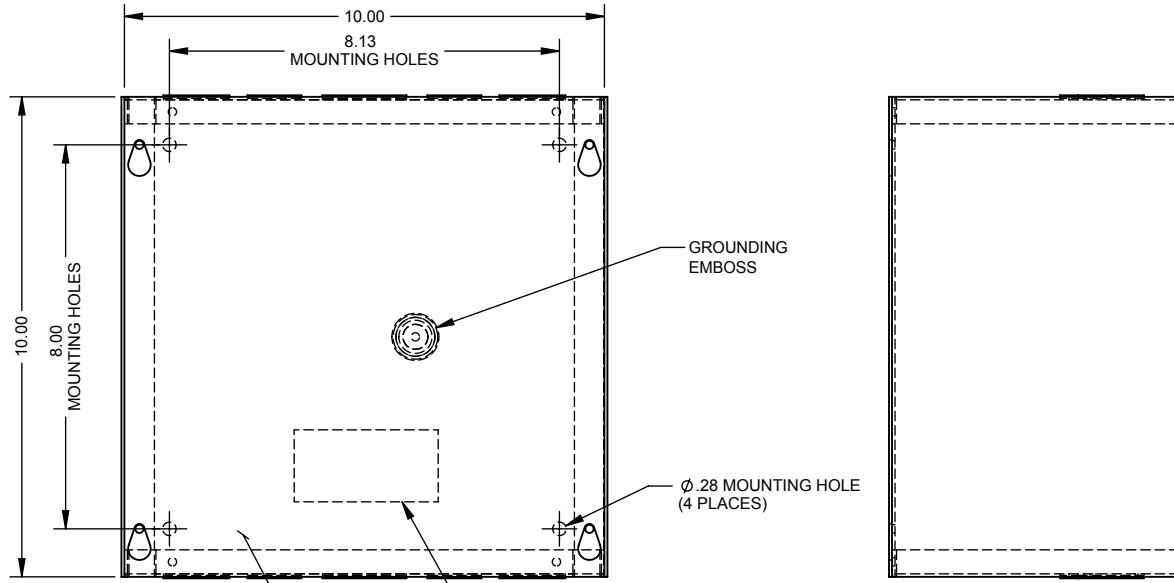
Brand Name: Milbank
Type: Screw Cover
Special Features: Cover Secured with Plated Screws
Application: Enclosure for Mounting Electrical Equipment
Standard: UL Listed
Number Of Outlet: 0
Material: Steel with Powder Coat Finish
Color: ANSI 61 Gray
Mounting: Wall Mount
NEMA Rating: Type 1



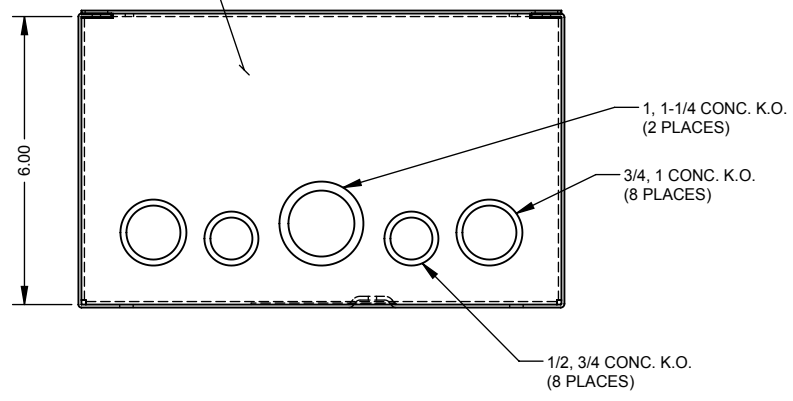
Utility requirements may vary. Always consult the serving utility for their requirements prior to ordering or installing this equipment. This product must always be installed by a licensed electrician. Installation of this equipment may require local electrical inspector approval.

CATALOG#	LABEL#
10106-SC1	1002135
RC-10106-SC1(-)	1125021
SPSC-10106(-)	1132714

ITEM	QTY.	PART NUMBER	DESCRIPTION
1	1	(SEE CHART)	BACK WELDMENT
2	1	(SEE CHART)	COVER PLATE
3	1	1002646	BAG ASSY, SCREWS (NOT SHOWN)
4	1	(SEE CHART)	U/L LISTING LABEL
5	1	1002475	BAG ASSY (GROUND SCREW)
6	0.5	1002933	CARTON (NOT SHOWN)



1
2
4
(APPLY INSIDE BACK)



NOTE:
1. PLACE BAG ASS'Y INSIDE ENCLOSURE (NOT SHOWN).

SUFFIX	FINISH	INSTALL KOs	WELDMENT NO.	PLATE NO.
NONE	MILBANK LIGHT GRAY	YES	1156283	1155373
-NK		NO	1156284	
-NP	NONE	YES	1156285	1011788
-NK-NP		NO	1156286	

NEMA DWG.: #130

Material:				General Offices: Kansas City, MO	
Finish:	MILBANK LIGHT GRAY			Title:	10106 SCREW COVER TYPE 1 ENCLOSURE
Tolerances: Unless Specified Otherwise X.X ±.1 X.XX ±.03 X.XXX ±.015 X° ±2°				Catalog No.:	(SEE CHART)
				Customer:	MILBANK STANDARD
Scale:	NTS	Checked By:	Drawing No.:	1001538	
Drawn By:	DY	Approved By:	Date:	04/26/01	Sheet 1 of 1

C4	11/10/11	CHART VERSIONS (ECO #21561)	DF			
C5	9/10/12	ADD CARTON TO BOM (ECO #22903)	DF			