

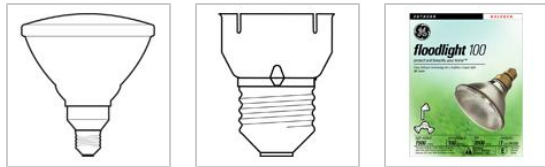
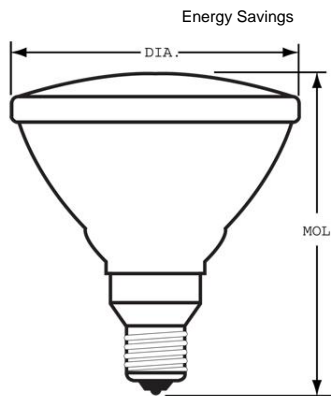


GE
Lighting

17986 - 100PAR/H/FL25

GE energy-efficient halogen 100 watt PAR38 floodlight 1-pack

- GE energy-efficient halogen bulbs deliver crisp, white light. This unsurpassed light quality is ideal for adding depth, drama and interest to any outdoor space. These GE energy-efficient halogen floodlights use less energy than standard halogen bulbs, saving money on energy. GE energy-efficient halogen floodlights feature lenses designed to provide a precise beam pattern, dispensing broad beams of crisp, white light on your home's exterior and landscaping. Designed with a unique all-weather construction, they withstand harsh weather conditions better than regular bulbs. Use these bulbs in outdoor stake light and security fixtures and create a dramatic effect
- Designed with a unique all-weather construction, they withstand harsh weather conditions better than regular bulbs.
- Uses Halogen technology for a brighter, crisper light
- GE's Floodlights cast a wider beam that adds drama to driveways and yards.
- Estimated yearly energy costs \$12.05 based on 3 hours per day \$0.11 per kWh
- Lasts 1.8 years based on 3 hours per day usage
- PAR38 outdoor floodlight with medium base for use in security and wet rated fixtures



CAUTIONS & WARNINGS

Caution

- Lamp may shatter and cause injury if broken
 - Do not use lamp if outer glass is scratched or broken.

Warning

- Risk of Burn
 - Allow lamp to cool before handling.
- Pressurized lamp--unexpected rupture may cause injury, fire, or property damage
 - Do not use lamp if outer glass is scratched or broken.
- Risk of Fire
 - Keep combustible materials away from lamp.
- Risk of Electric Shock
 - Turn power off before inspection, installation or removal.

GENERAL CHARACTERISTICS

Lamp Type	Halogen - PAR
Bulb	PAR38
Base	Medium Skirt (E26/50x39)
Filament	CC-8
Rated Life	2000.0 hrs
Primary Application	Yard Stake; Indoor and outdoor Floodlight

PHOTOMETRIC CHARACTERISTICS

Initial Lumens	1500.0
Center Beam Candlepower (CBCP)	5000.0
Color Temperature	2900.0 K
Beam Spread	25.0 °
Nominal Initial Lumens per Watt	15

ELECTRICAL CHARACTERISTICS

Wattage	100.0
Voltage	120.0

DIMENSIONS

Maximum Overall Length (MOL)	5.3130 in(135.0 mm)
Bulb Diameter (DIA)	4.750 in(120.6 mm)

PRODUCT INFORMATION

Product Code	17986
Description	100PAR/H/FL25
Standard Package	Case
Standard Package GTIN	10043168179864
Standard Package Quantity	6
Sales Unit	Unit
No Of Items Per Sales Unit	1
No Of Items Per Standard Package	6
UPC	043168179867

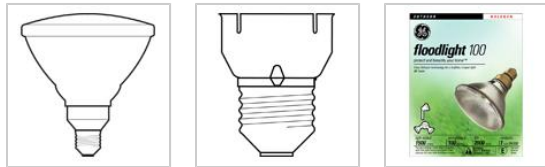
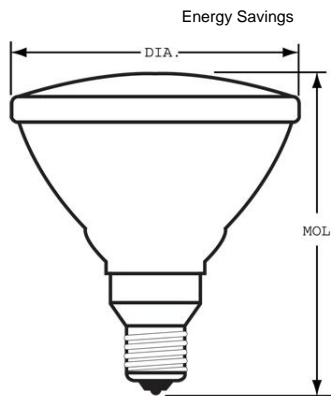


GE
Lighting

17986 - 100PAR/H/FL25

GE energy-efficient halogen 100 watt PAR38 floodlight 1-pack

- GE energy-efficient halogen bulbs deliver crisp, white light. This unsurpassed light quality is ideal for adding depth, drama and interest to any outdoor space. These GE energy-efficient halogen floodlights use less energy than standard halogen bulbs, saving money on energy. GE energy-efficient halogen floodlights feature lenses designed to provide a precise beam pattern, dispensing broad beams of crisp, white light on your home's exterior and landscaping. Designed with a unique all-weather construction, they withstand harsh weather conditions better than regular bulbs. Use these bulbs in outdoor stake light and security fixtures and create a dramatic effect
- Designed with a unique all-weather construction, they withstand harsh weather conditions better than regular bulbs.
- Uses Halogen technology for a brighter, crisper light
- GE's Floodlights cast a wider beam that adds drama to driveways and yards.
- Estimated yearly energy costs \$12.05 based on 3 hours per day \$0.11 per kWh
- Lasts 1.8 years based on 3 hours per day usage
- PAR38 outdoor floodlight with medium base for use in security and wet rated fixtures



CAUTIONS & WARNINGS

Caution

- Lamp may shatter and cause injury if broken
 - Do not use lamp if outer glass is scratched or broken.

Warning

- Risk of Burn
 - Allow lamp to cool before handling.
- Pressurized lamp--unexpected rupture may cause injury, fire, or property damage
 - Do not use lamp if outer glass is scratched or broken.
- Risk of Fire
 - Keep combustible materials away from lamp.
- Risk of Electric Shock
 - Turn power off before inspection, installation or removal.

GENERAL CHARACTERISTICS

Lamp Type	Halogen - PAR
Bulb	PAR38
Base	Medium Skirt (E26/50x39)
Filament	CC-8
Rated Life	2000.0 hrs
Primary Application	Yard Stake; Indoor and outdoor Floodlight

PHOTOMETRIC CHARACTERISTICS

Initial Lumens	1500.0
Center Beam Candlepower (CBCP)	5000.0
Color Temperature	2900.0 K
Beam Spread	25.0 °
Nominal Initial Lumens per Watt	15

ELECTRICAL CHARACTERISTICS

Wattage	100.0
Voltage	120.0

DIMENSIONS

Maximum Overall Length (MOL)	5.3130 in(135.0 mm)
Bulb Diameter (DIA)	4.750 in(120.6 mm)

PRODUCT INFORMATION

Product Code	17986
Description	100PAR/H/FL25
Standard Package	Case
Standard Package GTIN	10043168179864
Standard Package Quantity	6
Sales Unit	Unit
No Of Items Per Sales Unit	1
No Of Items Per Standard Package	6
UPC	043168179867